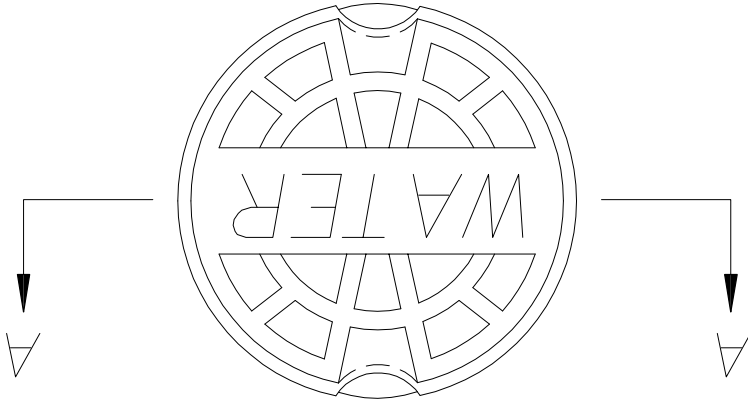
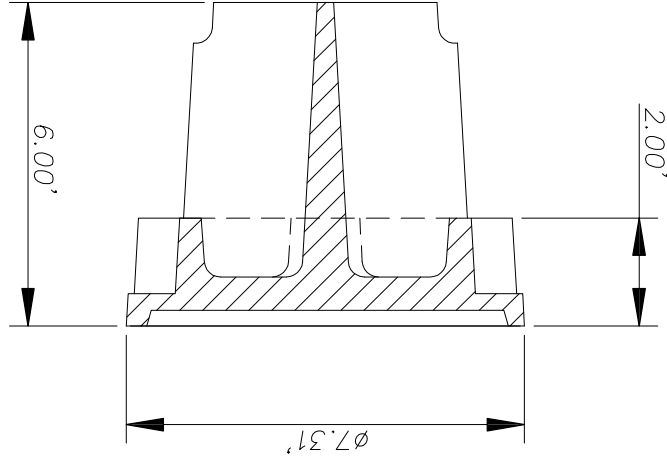


NOTE: 1. MATERIAL-CAST IRON PER ASTM A48 CLASS 30B
2. APPROXIMATE WEIGHT LID=16.50 LBS.



DETAIL NO. JU-3400
STAR-VBLIDL V 5-1/4" HD
WATER LID LAS VEGAS-OR EQUAL