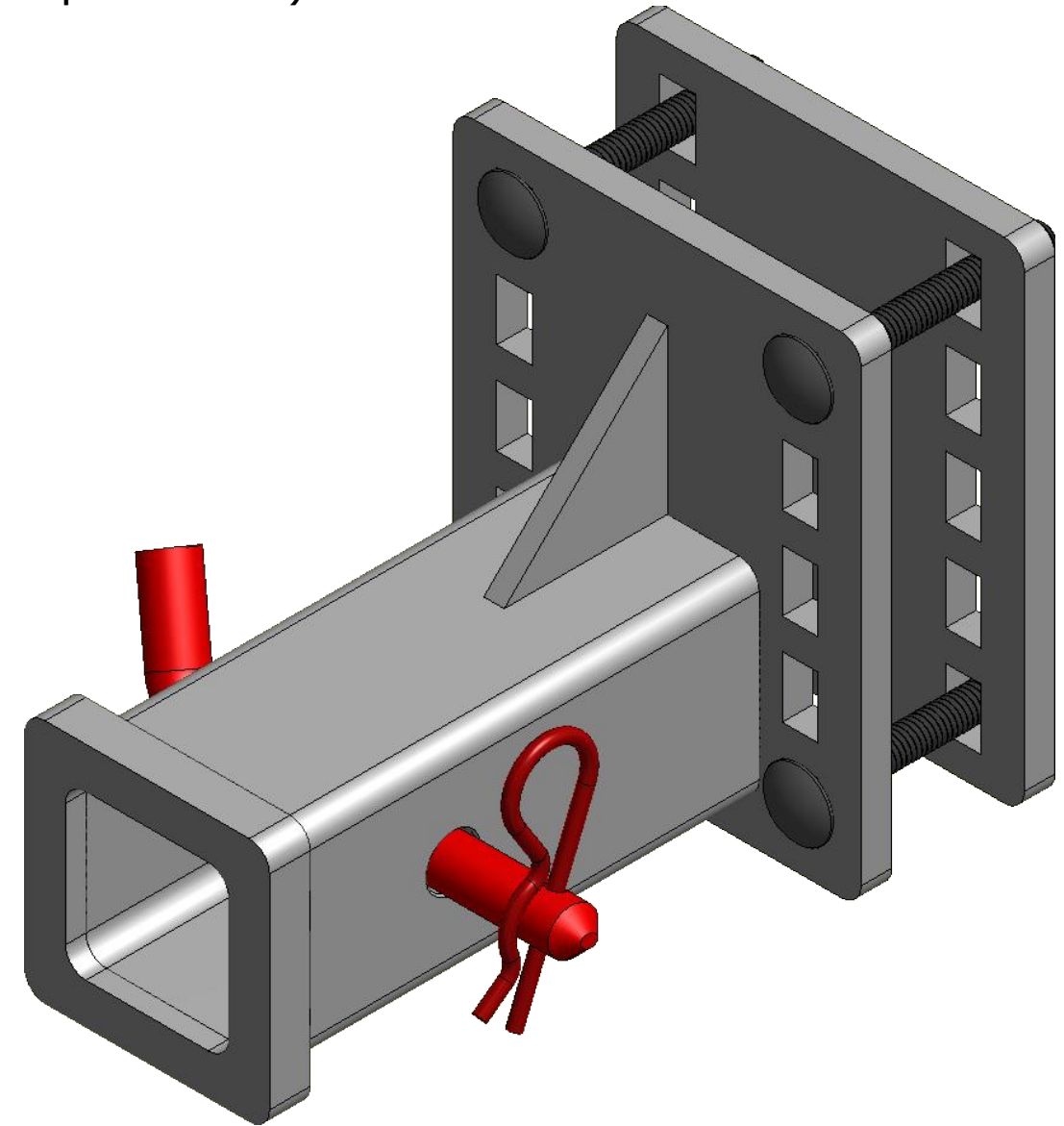
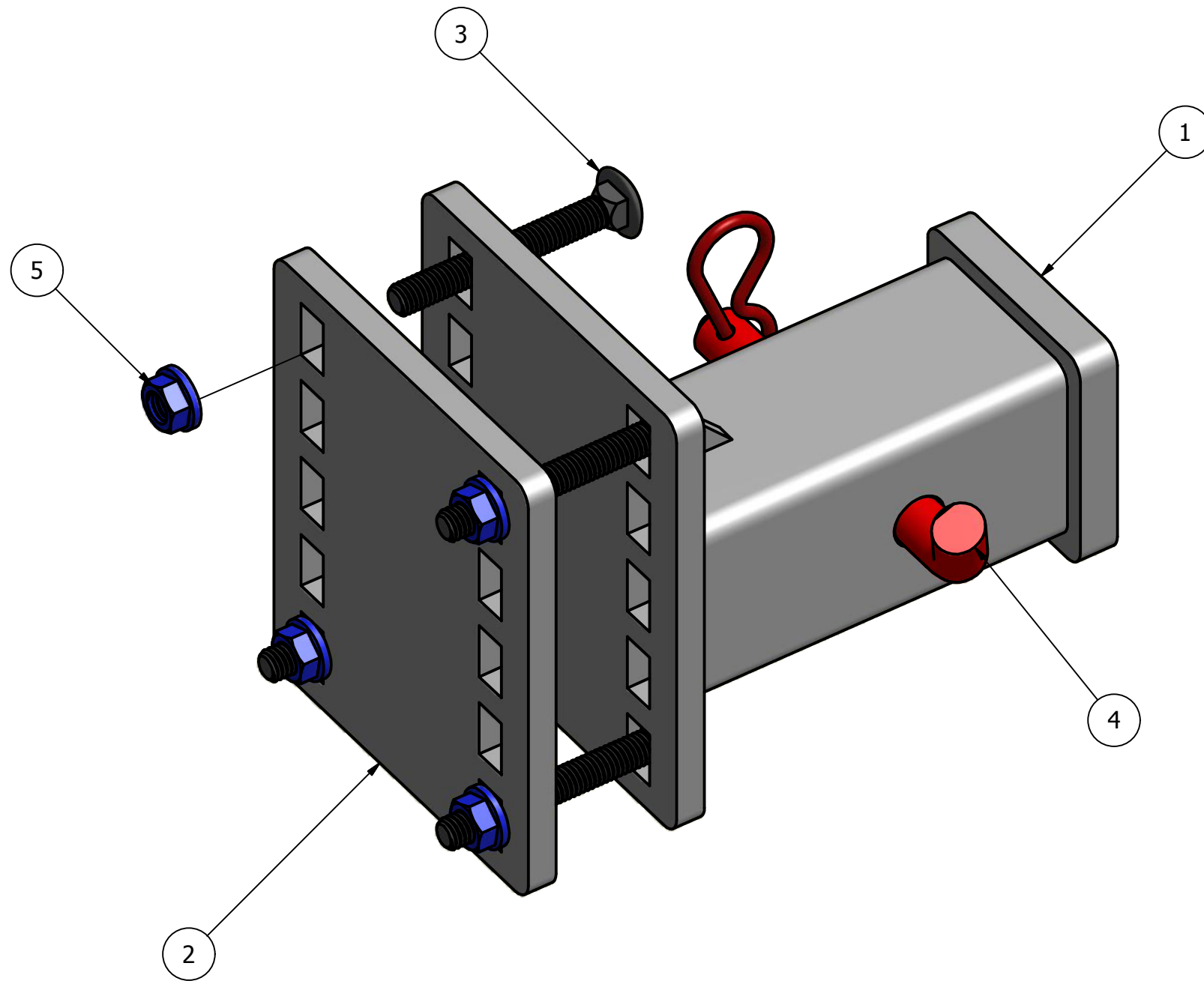




Hitch Assembly

NOTE: Part Number **DTHALL** (Includes all parts below)



J.C.B

REVISION HISTORY	
REV	DATE
C	3/24/2019

Parts List			
ITEM	QTY	PART NUMBER	DESCRIPTION
1	1	DTH01	D'TTACH Hitch
2	1	DTHBP	D'TTACH Hitch Back Plate
3	4	69860007	3/8-16 X 3" Carriage Bolt
4	1	69860002	5/8 Hitch Pin w/ Cotter Pin
5	4	69730014	3/8-16 Flange Nut