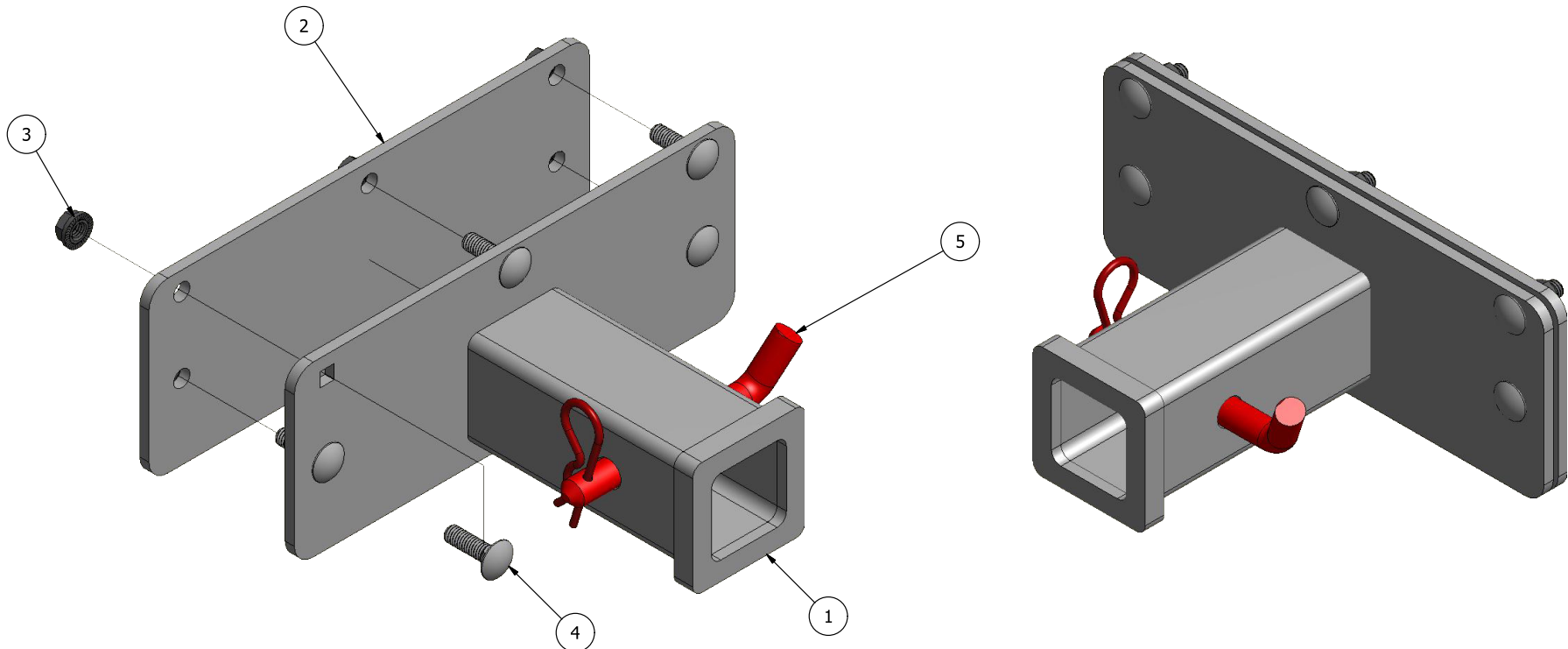


D'ttach™ DTHFER-1 Hitch

Commercial Mower Hitch & Attachment Series

Part Number: DTHFER-1 (Fits Ferris IS3200, ISX800, F320)



Note:

- 1) Modification of the unit is required to install item 3 & 4 - please reference #2 below for modification recommendations.
- 2) It is highly recommended that you mark & drill 2 top outer holes with a 3/8" drill bit. This will ensure that there is no "flex" and provide a solid & rigid mount.

REVISION HISTORY	
REV	DATE
A	10/24/2019

Parts List			
ITEM	QTY	PART NUMBER	DESCRIPTION
1	1	DTHFER1-01	D'ttach DTHFER-1 Hitch
2	1	DTHFER1-BP	Backing Plate
3	5	69730014	3/8-16 Flanged Nut
4	5	69713125	3/8-16 X 1.25" LG Square Neck Carriage Bolt
5	1	DT58HP	5/8 Hitch Pin w/ Cotter Pin

J.C.B DTHFER_1 IPL.FS