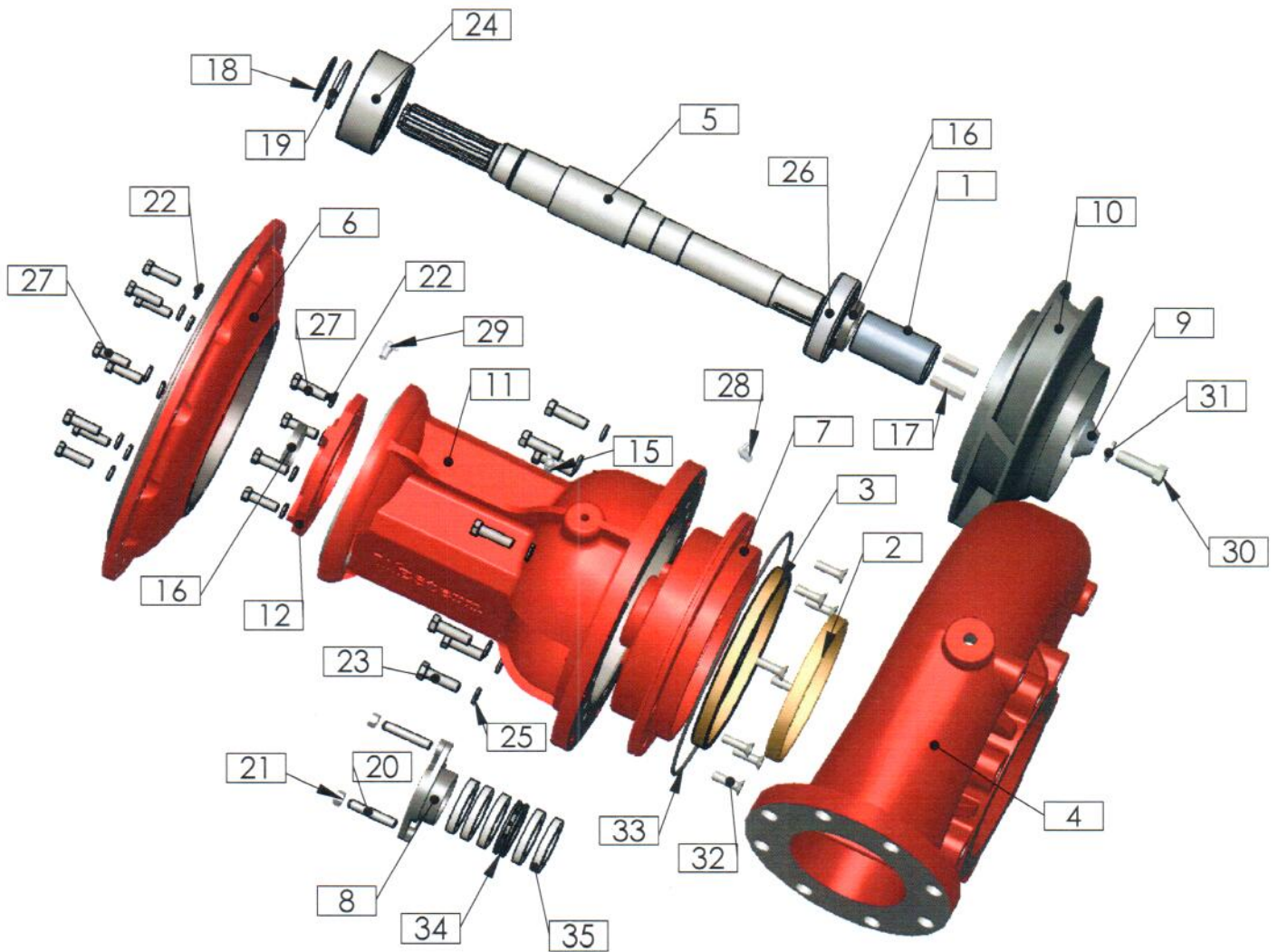


Western Pumps

XS-13 Series - Frame Mount
Parts Diagram
Sizes 2-1/2x3x13 thru 8x10x13





Western Pumps, LLC
 P.O. Box 1562
 Clovis, CA 93613
 (559) 292-9100

XS-13 Series Pump Parts Listing

Models: 2-1/2x3x13 thru 8x10x13 - SAE Engine Drive

Draw ID	Pump Model	Component ID	Component Description	Qty Needed
1	2313-4613	M-25-WS002-01	Shaft Sleeve - SS	1
	6813-81013	M-26-WS003-01		
2	2313	M-20-WR020-01	Wear Ring - Volute	1
	3413	M-21-WR021-01		
	4613	M-22-WR022-01		
	6813	M-23-WR023-01		
	81013	M-24-WR024-01		
3	2313	M-20-WR004-01	Wear Ring - Frame	1
	3413	M-21-WR005-01		
	4613	M-22-WR001-01		
	6813	M-23-WR002-01		
4	2313	M-20-VL020-01	Volute - CW	1
	3413	M-21-VL021-01		
	4613	M-22-VL022-01		
	6813	M-23-VL023-01		
5	2313-4613	M-25-SH006-01	Shaft - 1-1/2 SAE Splined	1
	6813-81013	M-26-SH007-01		
6	All	M-00-SA045-01	SAE Bellhousing - 4/5	1
	All	M-00-SA023-01	SAE Bellhousing - 2/3	
7	2313-4613	M-25-PI002-01	Packing Mount	1
	6813-81013	M-26-PI004-01		
8	All	M-27-PG004-01	Packing Gland - SS	1
9	2313-4613	M-25-IW002-01	Washers - Impeller Deflector SS	1
	6813-81013	M-26-IW003-01		
10	2313	M-20-IM020-01	Impeller - CW	1
	3413	M-21-IM021-01		
	4613	M-22-IM022-01		
	6813	M-23-IM023-01		
	81013	M-24-IM024-01		
11	All	M-27-BF009-01	Bearing Frame -13 Series SAE	1
12	All	M-27-BC005-01	Bearing Cap - SAE	1
13	All	P-00-00003-01	Slinger	1
14	All	P-00-00018-01	Pipe Plugs - 1/2	3
15	All	P-00-00026-01	Grease Fittings - 1/8 NPT	1
16	All	P-00-00027-01	Grease Seals	2
17	2313-4613	P-00-00062-01	Key - Impeller	2
	6813-81013	P-00-00030-01		
18	All	P-00-00050-01	Snap Ring	1
19	All	P-00-00051-01	Thrust Ring	1
20	All	P-00-00053-01	Studs - 7/16 Packing Gland	2
21	All	P-00-00054-01	Nuts - Flanged 7/16 - Packing Gland	2
22	All	P-00-00055-01	Washers - 7/16 Split Lock	12
23	All	P-00-00064-01	Bolt - 1/2-13 x 1-3/4	8
24	All	P-00-00078-01	Bearing - Input Side	1
25	All	P-00-00079-01	Washers - 1/2 Split Lock	8
26	All	P-00-00083-01	Bearings - Impeller Side	1
27	All	P-00-00090-01	Bolt - 7/16-14 x 1-1/4	12
28	All	P-00-00091-01	Grease Fittings - 1/8 NPT - Angled	2
29	All	P-00-00098-01	Grease Fittings - 1/8 NPT - 90deg	1
30	2313-4613	P-25-00057-01	Bolt - Impeller SS	1
	6813-81013	P-26-00060-01		
31	2313-4613	P-25-00058-01	Washer - Impeller - Split Lock SS	1
	6813-81013	P-26-00059-01		
32	All	P-27-00061-01	Bolt - 7/16-14x1-1/2 SS CS	8
33	All	P-27-00080-01	O Ring - Volute 13"	1
34	All	P-27-00082-01	Lantern Ring - 2-1/8"	1
35	All	S-27-00081-01	Packing Set - 3/8 GFO Style	1