

THREE-PHASE TRI-STATE BUCK-BOOST INTEGRATED INVERTER

Sourabh Sanjay Nikam, Dr. S.K.Mittal

G.H.Raisoni institute of Engineering & technology wagholi, Pune, Maharashtra

Email ID: nikamsourabh@gmail.com¹, shailendra.mittal@raisoni.net²

ABSTRACT: This paper presents a three-phase integrated inverter suitable for stand-alone and/or grid-connected applications. The usage of the special features of the tri-state coupled with the special space vector modulation allows the inverter to present an attractive degree of freedom for the controllers' design, i.e. input and output can be controlled independently. Additionally all controllers are based on dq0 transformation, the system are described and interesting simulation results are available to confirm the proposal. Finally, this paper presents experimental evaluations of the inverter feeding a three-phase stand-alone load confirming the remarkable features of the decoupling control.

I. INTRODUCTION

The research and improvement of new power electronics inverters are mandatory to improve the viability of distribution generation through renewable energy sources usage. In this context, the power electronics plays a fundamental role and usually, photovoltaic energy source provides low DC voltage that needs voltage boost, a good input Maximum Power Point Tracking (MPPT), and low THD (Total Harmonic Distortion) for the output AC voltage/current. These criteria may be economically determinant in the future use of renewable energies such as wind and solar once the most expected applications with renewable sources are the grid-tied or grid-connected, where no local energy storage is needed and all benefits of distributed generations could be achieved.

The tri-state inverters have been shown as promising structures related to their dynamic performance, efficiency and lifetime. As current source inverter it presents implicit short-circuit protection, ruggedness and direct current control ability that permits to feed capacitive and/or low impedances with ease.

In this context, this article presents the three-phase tristate buck-boost inverter with independently input to output control, special space vector modulation and dq0 transformation for the control scheme allowing exceptionally high quality performance for the system control. Moreover a PV grid-tie inverter example is also

demonstrated to show the feasibility of the proposal and experimental evaluations using a stand-alone load also confirms the proposed decoupling control.

II. LITERATURE SURVEY

This inverter presents three essential states, namely short out, dynamic and free-wheeling states. The short out state charges the buck-support inductor, the dynamic state is in charge of encouraging the yield while the freewheeling state works for keeping up the vitality put away. The short out time happens amid D1.T, the dynamic state happens for D2.T and the free-wheeling state keeps going amid (1-D1-D2).T. T is the exchanging time frame, and the task modes depend on persistent conduction mode (CCM). [1]

This examination introduces a three-stage tri-state buck–help incorporated inverter reasonable for remain solitary or potentially framework associated photovoltaic (PV) vitality applications. The use of the unique highlights of the tri-state activity combined with an adjusted space vector tweak enables the inverter to exhibit an astounding level of opportunity for the controllers' plan, that is, information and yield can be autonomously controlled. As the information can be independently controlled, this converter is exceptionally alluring for interfacing sustainable power sources as PV boards, when the fundamental obligation cycle D1 controls the most extreme power point following and the second obligation cycle D2 is dependable to encourage the yield. It ought to be called attention to that there are no power electrolytic capacitors in this coordinated inverter, which results in a noteworthy favorable position for the structure working life and it is the first run through in the writing that this inverter is utilized to encourage control into the matrix. All through this examination the framework is depicted, the adjustment and control plans are exhibited and fascinating exploratory outcomes are accessible so as to affirm the exceptional highlights of this proposition. [2]

This paper presents assessments among the most regular MPPT procedures, doing important correlations as for the measure of vitality removed from the photovoltaic board (PV) (Tracking Factor - TF) in connection to the accessible power, PV voltage swell, unique reaction and utilization of sensors. Utilizing MATLAB/Simulink and DSpace stages, a

carefully controlled lift DC-DC converter was actualized and associated with an Agilent Solar Array E4350B test system so as to confirm the expository strategies. The principle trial results are displayed and a commitment in the execution of the IC calculation is performed and called IC dependent on PI. Additionally, the dynamic reaction and the following variable are likewise assessed utilizing a Friendly User Interface, which is fit for online program control bends and register the TF. A regular every day protection is utilized so as to confirm the trial results for the primary PV MPPT strategies. [3] A wide range of procedures for most extreme power point following of photovoltaic (PV) exhibits are examined. The strategies are taken from the writing going back to the soonest techniques. It is appeared no less than 19 unmistakable strategies have been presented in the writing, with numerous minor departure from usage. This paper should fill in as an advantageous reference for future work in PV control age. [4]

Conventional dc-air conditioning current source inverter (CSI) has a right-half-plane (RHP) zero in its control-to-yield exchange work. This RHP zero causes the inverter yield to fall before rising when a stage increment in direction reference is required (generally known as non-least stage impact). To accomplish a superior powerful reaction, this paper proposes the structure of a tri-state CSI utilizing just an extra semiconductor switch for acquainting novel free-wheeling states with the customary six dynamic and three invalid conditions of a CSI. With the free-wheeling states embedded suitably inside the inverter state succession, the inductive boosting and releasing interims can be decoupled, permitting the RHP zero to be dispensed with just minor circuit alterations (abnormal state control plans like prescient and multi-circle voltage/current control stay unaltered). The planned inverter can be controlled utilizing a suitably defined advanced heartbeat width regulation calculation, which can helpfully be actualized utilizing a computerized flag processor with an on-chip bearer based modulator and an outer advanced programmable rationale gadget. The subsequent inverter is tried by recreation and tentatively utilizing a research center model for showing its enhanced powerful execution with no compensation troubles presented. [5]

Customary dc- air conditioning current source inverter (CSI) has a right-half-plane (RHP) zero in its control-to-yield exchange work. This RHP zero causes the inverter yield to fall before rising when a stage increment in direction reference is required (normally known as non-least stage impact). To accomplish a superior powerful reaction, this paper proposes the structure of a tri-state CSI utilizing just an extra semiconductor switch for acquainting extraordinary freewheeling states with the customary six dynamic and three invalid conditions of a CSI. With the freewheeling states embedded suitably inside the inverter state succession, the inductive boosting and releasing interims can be decoupled, permitting the RHP zero to be

disposed of with just minor circuit changes (abnormal state control plans like prescient and multiloop voltage/current control stay unaltered). The planned inverter can be controlled utilizing a suitably figured computerized pulsewidth balance calculation, which can helpfully be executed utilizing an advanced flag processor with an on-chip bearer based modulator and an outside computerized programmable rationale gadget. The subsequent inverter is tried by reproduction and tentatively utilizing a research center model for showing its enhanced powerful execution with no substitution challenges presented. [6]

It is appeared driving edge adjustment can move the unwanted right-half-plane (positive) zero of lift and flyback converters into the left-half-plane. This permits a significant enhancement in the shut circle attributes by yielding a base stage framework. A few strategies are utilized to foresee this outcome. The structure methodology for moving the positive zero into the left-half-plane is introduced. [7]

The paper proposes the task of the tristate dc-dc buck converter with hysteretic current-mode control conspire. The hysteretic controlled converters reaction to aggravations and load change directly after the transient happen and they give phenomenal transient execution. It doesn't require the shut circle pay system and results with a lesser segment include and little size execution. Henceforth, hysteretic control is considered as the most straightforward and quickest control strategy. The dc-dc buck converter utilizing current hysteresis control conspire is given in theory. The outcome demonstrates that hysteresis control converters have inalienably quick reaction and they are strong with basic plan and usage. A hysteretic current control strategy for a tri-state buck converter working in consistent exchanging recurrence is planned and its conduct is contemplated by making the utilization of fundamental instruments of sliding mode control hypothesis since dc-dc buck converter is a variable structure framework because of the nearness of exchanging activities. The rule of activity of tristate dc-dc buck converter is clarified. The converter reaction is examined in the relentless state district and in the dynamic locale. The issue of variable exchanging recurrence is disposed of without utilizing any repaying incline. [8]

Interleaved help converter is a decent interface between four diverse source and inverter. This Work manages configuration, demonstrating and reenactment of the interleaved lift converter inverter based PID controlled four diverse source frameworks. Interleaved support converters to decrease the swell in the DC yield. The DC from the sun based cell is ventured up utilizing interleaved help converter. The yield of the interleaved lift converter is changed over to 50Hz AC utilizing a solitary stage full scaffold inverter. The target of this work is to enhance dynamic reaction of shut circle framework utilizing PID controller. The recreation consequences of PI and PID controlled shut circle frameworks are thought about. [9]

In this paper, two-input coordinated dc-dc converter investigation and control procedures valuable to photovoltaic (PV) applications are introduced. This dc-dc converter is essentially blend of individual buck and buck-help converters providing for a typical dc transport. Here one inductor is sufficiently adequate for power change in both the converters. Buck-help converter, with most extreme power following, kills the total power from the PV source and supplies to the heap, while the rest of the heap control request is drawn from the independent dc source, which is outfitted with single-circle voltage-mode controller for dc transport voltage direction. Shut circle converter execution of this converter is mimicked and contrasted and the hypothetical counts. Recreation contemplates are displayed here for steady resistive and battery sort of burdens. The heap control conveyances among the sources are demonstrated. [10]

III. PROPOSED SYSTEM

The proposed system, as shown in Fig. 1, consists of a three-phase tri-state integrated buck-boost inverter with CL filter for grid-tie mode, whereas on stand-alone mode only C filter is mandatory.

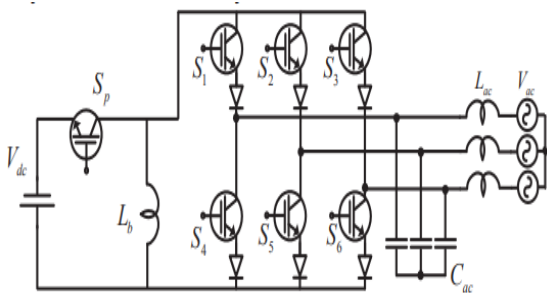


Fig 3.1 proposed three-phase tri-state inverter in grid-tied mode.

This inverter present three important states, namely short-circuit, active and free-wheeling states. The short-circuit state charges the buck-boost inductor, the active state is responsible for feeding the output while the freewheeling state works for maintaining the energy stored. The short circuit time occurs during D1.T, the active state occurs for D2.T and the free-wheeling state lasts during (1-D1-D2).T. T is the switching period, and the operation modes are based on continuous conduction mode (CCM).

The tri-state converter is capable for improving the dynamic performance, reducing the right half-plane zero effects, typical in conventional boost converters in voltage mode control and besides this converter has the advantage of increasing the static gain. In literature D2.T time interval is always made fixed but it is also possible to make both D1.T and D2.T time intervals varying. This characteristic makes this converter even more attractive as permits the input to

output power decoupling for single-phase systems eliminating the pulsed power at twice the grid frequency. In this paper this attribute is used at the modulation and control scheme of this tri-state three-phase inverter, but in a different form, as the three-phase power is constant it is not necessary to have a power decoupling, but input and output can be controlled independently. This feature made this converter suitable for interfacing renewable energy sources as the input MPPT and output current injection with reduced THD can be realized independently. Another advantage of this three-phase system is that all storage elements are reduced compared to its single-phase counterpart, meaning lifetime improvements.

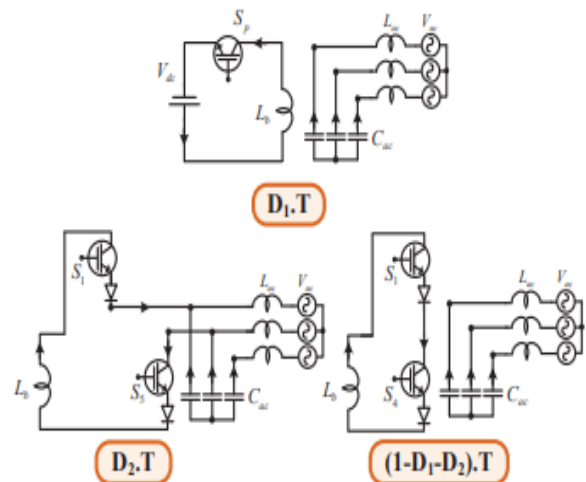


Fig 3.2 Operation modes of the proposed buck-boost inverter

IV. CONCLUSION

This work has presented the tri-state three-phase buckboost inverter with special features as independently input to output control, new space vector modulation and dq0 control for both stand-alone and grid-connected modes. The independently input output control made this converter attractive for interfacing renewable energy sources once the MPPT and output grid current injection can be controlled with high degree of freedom. Moreover, the initial experimental tests proved that it is possible to control independently the converter's input and output with proper modulation and control of D1 and D2 duty cycles, demonstrating the potential and the feasibility for the application.

REFERENCES

[1] De Brito, M. A. G., & Canesin, C. A. (2013). Three-phase tri-state buck-boost integrated inverter. International Conference on Clean Electrical Power (ICCEP).

- [2] De Brito, M., Sampaio, L., Melo, G., & Canesin, C. A. (2015). Three-phase tri-state buck–boost integrated inverter for solar applications. *IET Renewable Power Generation*, 9(6), 557–565.
- [3] De Brito, M. A. G., Junior, L. G., Sampaio, L. P., e Melo, G. A., & Canesin, C. A. (2011). Main maximum power point tracking strategies intended for photovoltaics. *XI Brazilian Power Electronics Conference*.
- [4] ESRAM, T., and Chapman, P. L., "Comparison of Photovoltaic Array Maximum Power Point Tracking Techniques", *IEEE Transactions on Energy Conversion*, vol. 22, no. 2, pp. 439-449, 2007.
- [5] Loh, P. C., Blaabjerg, F., Wong, C. P., & Tan, P. C. (n.d.). Tri-State Current Source Inverter with Improved Dynamic Performance. *37th IEEE Power Electronics Specialists Conference*
- [6] Poh Chiang Loh, Blaabjerg, F., Chow Pang Wong, & Pee Chin Tan. (2008). Tri-State Current Source Inverter With Improved Dynamic Performance. *IEEE Transactions on Power Electronics*, 23(4), 1631–1640.
- [7] Sable, D.M., Cho, B.H., Ridley, R.B.: ‘Use of leading-edge modulation to transform boost and flyback converters into minimum-phase-zero systems’, *IEEE Trans. Power Electron.*, 1991, 6, (4), pp. 704–711
- [8] Srikant Misra, Debasis Mahapatra and Sujit Kumar Patro “Performance Estimation Of Tristate DC-DC Buck Converter With Fixed Frequency and Constant Switching Hysteresis Control” *International Journal of Application or Innovation in Engineering & Management (IJAIEM) Volume 2, Issue 6, June 2013*
- [9] R. Bharathidasan, Dr. Prakash “Digital Simulation of Closed Loop Controlled Micro Grid System with Four Different Sources”, *International Journal of Advanced Research in Electrical, Electronics and Instrumentation Engineering Vol. 6, Issue 10, October 2017*
- [10] G.D.V.Prasanth1 , Dr J.V.G.Ramarao, “Designing of Double Input Integrated Buck-Boost Converter”, *International Journal of Science Engineering and Advance Technology, IJSEAT, Vol 2, Issue 1, January - 2014 Page 51*