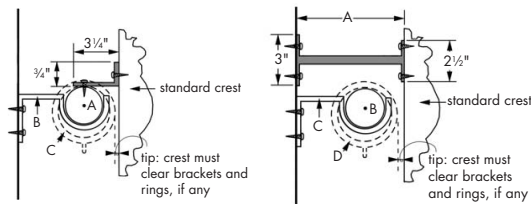


## crest installation instructions



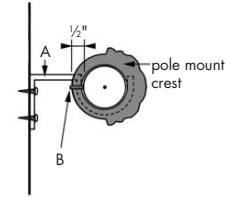
### TO INSTALL STANDARD POLE MOUNTED CRESTS:

- Small crests include one L-bracket and two screws for installation
- The large crest, C8, includes two L-brackets and four screws for installation
- Install the L-bracket onto the back of the crest using the screws provided; a small pilot hole is pre-drilled in the crest for easy positioning
- Position the L-bracket onto the wood pole at desired area for installation
- Install L-bracket onto pole using the screws provided



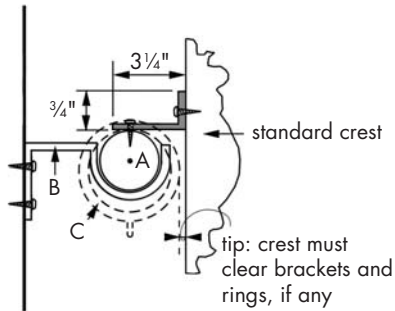
### TO INSTALL STANDARD WALL MOUNTED CRESTS:

- Small crests include one H-bracket and four screws for installation
- The large crest, C8, includes two H-brackets and eight screws for installation
- Install the H-bracket onto the back of the crest using the screws provided; a small pilot hole is pre-drilled in the crest for easy positioning
- Position the H-bracket onto the wall at desired area for installation; crest must clear brackets and rings if mounted over a pole
- Install H-bracket onto wall using the screws provided



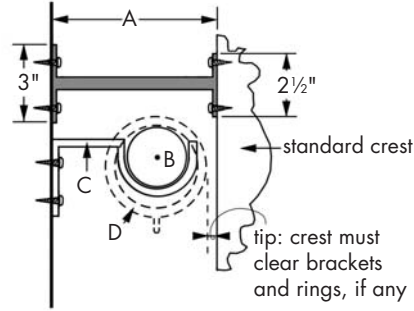
**TO INSTALL POLE MOUNTED CRESTS:**

- Pole mounted crests include set screws for installation
- Slide crest onto pole and position in desired area for installation; ensure the return on the pole brackets allow the back of the cradle to clear the wall
- Tighten set screw to hold pole mounted crest in place
- Brackets may not be installed where the crest is mounted; support brackets (if used) will need to be positioned to the side of the crest
- Rings (if used) will not fit behind pole mounted crests



please specify:

- A. pole size and profile
- B. bracket and return (distance from wall to center of cradle)
- C. ring, if any



please specify:

- A. return (distance from wall to back of crest)

if crest is being installed with drapery hardware, please also specify:

- B. pole size and profile
- C. pole bracket and return (distance from wall to center of cradle)
- D. ring, if any