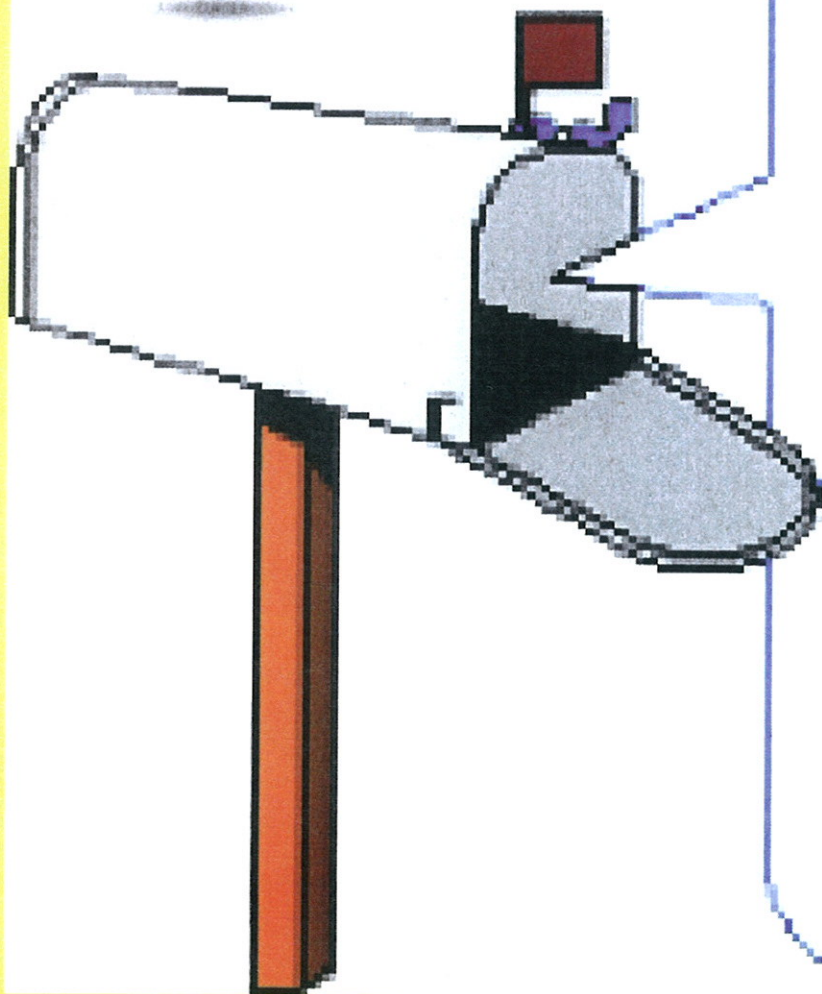




**ATTENTION**  
**Read Me**



Thessalon First Nation  
Lands and Resource Department



**Attention:**

**All Thessalon First Nation Band Membership**

As you may know, we have been in the process of developing a Constitution for Thessalon First Nation, we are on the last steps of having it finished and brought to Chief and Council.

We need the members of TFN to send us either an Email or Mailing Address and your Status Card number (to confirm you are a member of TFN) so we can have the Constitution sent out to our members and start the voting process.

The email or address you provide will also be used for sending any updates on the Boundary Claim for Thessalon First Nation.

Please send your information to Thessalon First Nation, Attention: Kathleen Naponse, Thessalon First Nation Lands and Resource Coordinator/Duty to Consult Points Person at [knaponse@vianet.ca](mailto:knaponse@vianet.ca) or Chelsea Bisailon, Thessalon First Nation Lands and Resource Assistant at [cbisailon.tfn@vianet.ca](mailto:cbisailon.tfn@vianet.ca) or you can contact the Band Office at 705-842-2323 for either Kathleen or Chelsea.

Chi-Miigwech

Kathleen Naponse

Thessalon First Nation Lands and Resource Coordinator/Duty to Consult  
Points Person