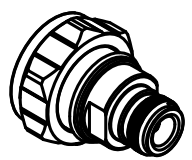
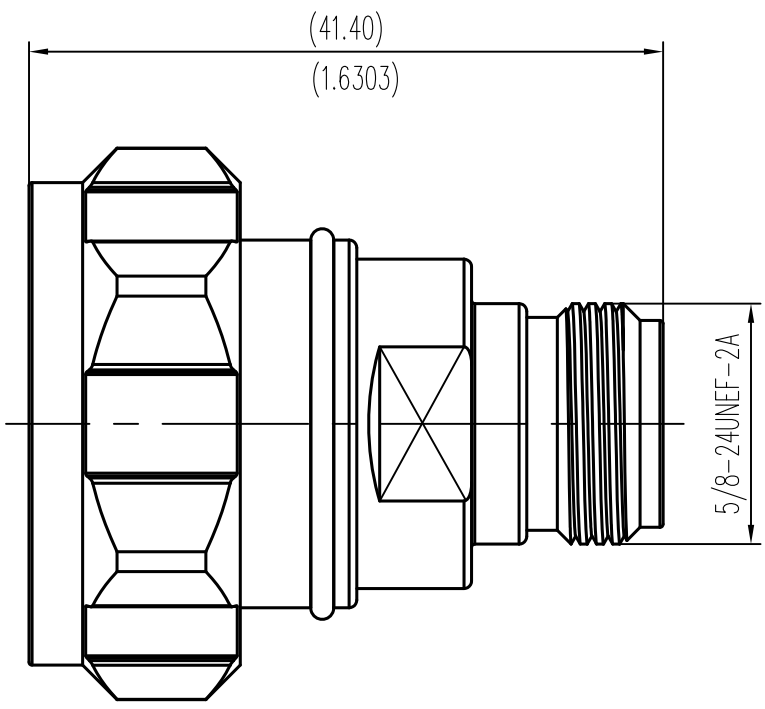


1		2		3		4		5		6	
TECHNICAL SPECIFICATION		METERIAL				FINISH					
FREQUENCY RANGE	DC~6GHz	Inner conductor	Beryllium copper		Gold						
IMPEDANCE	≥10000MΩ	Insulator	PEI		—						
OPERATING TEMP	-55℃~+155℃	Body	Stainless steel 303		Passivated						
VSWR	≤1.08	Nut	Stainless steel 303		Passivated						



UNLESS OTHERWISE SPECIFIED  
 1) ALL DIMENSIONS ARE AFTER PLATING.  
 2) BREAK CORNERS & EDGES.005 R. MAX.  
 3) CHAM. 1ST & LAST THREADS.  
 4) SURFACE ROUGHNESS 63 √ MIL-STD-10.  
 5) DIA S ON COMMON CENTERS TO BE CONCENTRIC WITHIN .004 T.I.R.  
 6) REMOVE ALL BURRS

**LANJIAN ELECTRONICS, INC**

PROPRIETARY  
 THE INFORMATION CONTAINED IN THIS DRAWING IS THE SOLE PROPERTY OF LANJIAN, INC. WITHOUT THE WRITTEN PERMISSION OF LANJIAN ELECTRONICS, INC IS PROHIBITED.

DRAWN:  
 CHECKED:  
 STANDARDIZATION:  
 APPROVED:

DWG.NO. 7-16-N-MF  
 TITLE: SIZE 2:1  
 CAGE CODE: SHEET 1/1

A

A

B

B

C

C

D

1