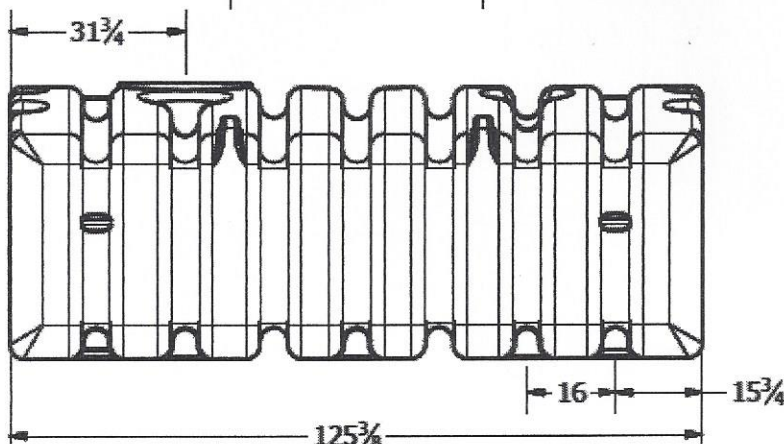
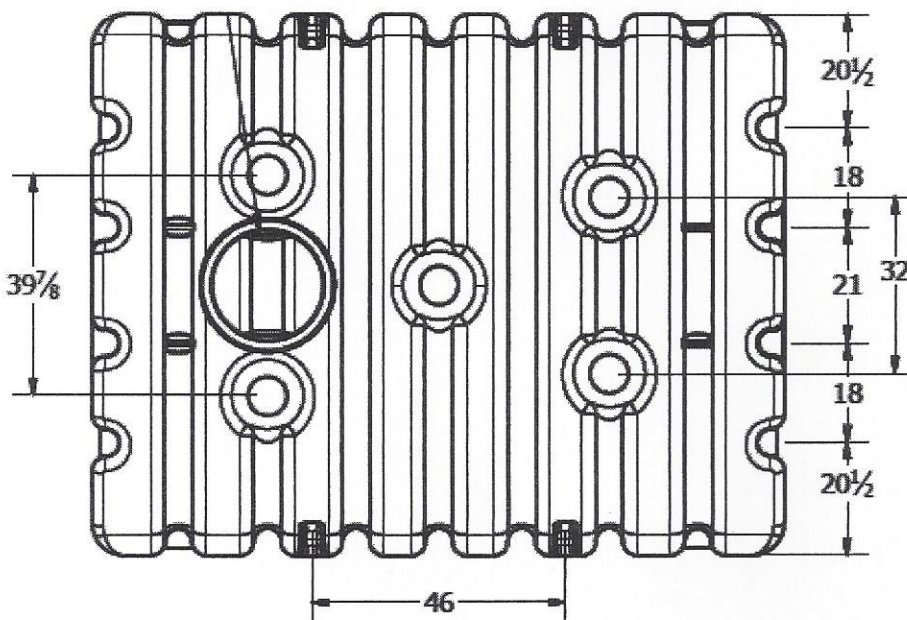
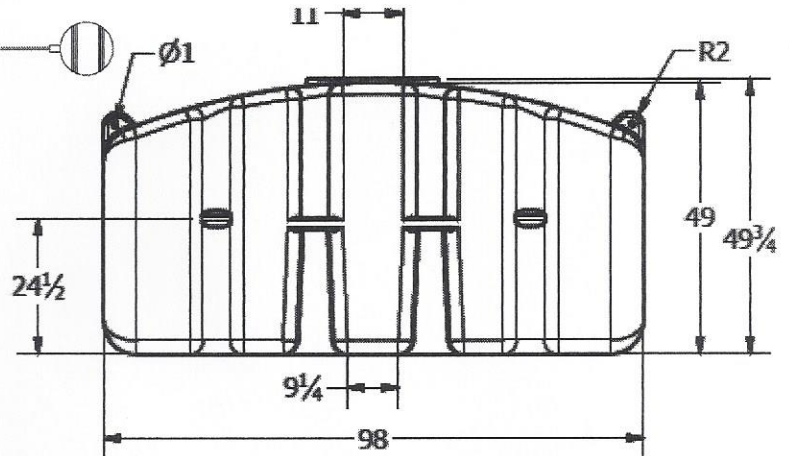


2000 Gallon Below Ground Tank

- Auto Fill Assembly Installed
- Suction Tank Adapter Installed
- Overflow Tank Adapter Installed
- 1/4 turn Lid
- 98x126x51H

Model 2000g U90



D Systems uses the largest capacity below ground storage tanks made today. Used to store water - both potable and non-potable for a number of applications. The end ribs will accept fittings up to 4" in size. Integral columns in the tank give it excellent structural strength.