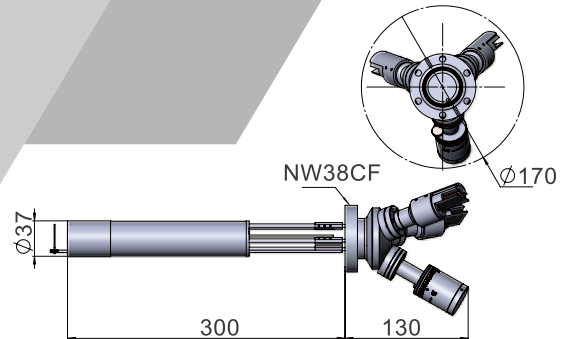


Dual-Zone Evaporator



Part Number **DZEC38**



This effusion cell is designed for high vapor pressure materials, which form atom clusters and need extra heating to crack into small pieces, e.g. Se, Te, As, Mg, Sb, CdTe, ZnTe, etc. It has two independent filaments, the bottom one is for material evaporation (up to 1000 °C), the top one is for thermal cracking (up to 1400°C).

The crucible is made of PBN, capacity 50cc. At the orifice, an insert piece would be installed for cracking, which is made of PBN, PG, or Ta. In the center of the insert lining is a tiny hole, by changing the diameter of the hole, the flux distribution and intensity could be controlled.

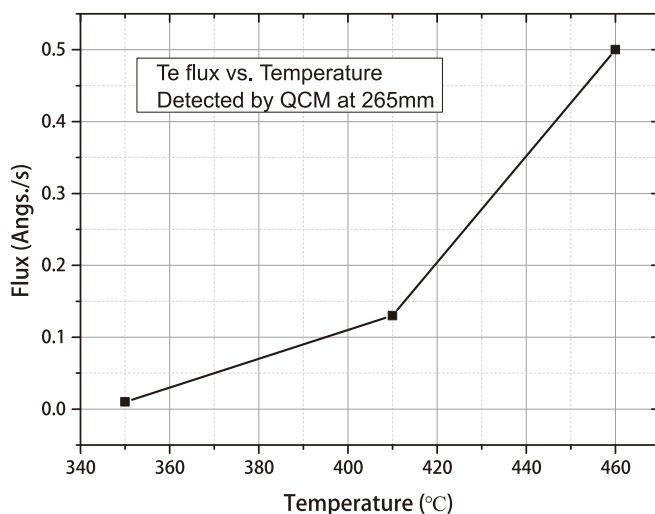
Specification

✓ Heating System: Radiation heating, PBN supported Tantalum filament

✓ Bakeout Temperature: 250°C

Mounting Flange	Crucible Size	Working Temperature	Degas Temperature	Thermocouple	Stability
NW38CF (2.75 inch)	50cc	Top Zone: 300~1400°C Bottom Zone: 100~1000°C	1500°C 1100°C	C K	±0.1°C

— Te Flux Test —



— Te Film Thickness Test —

