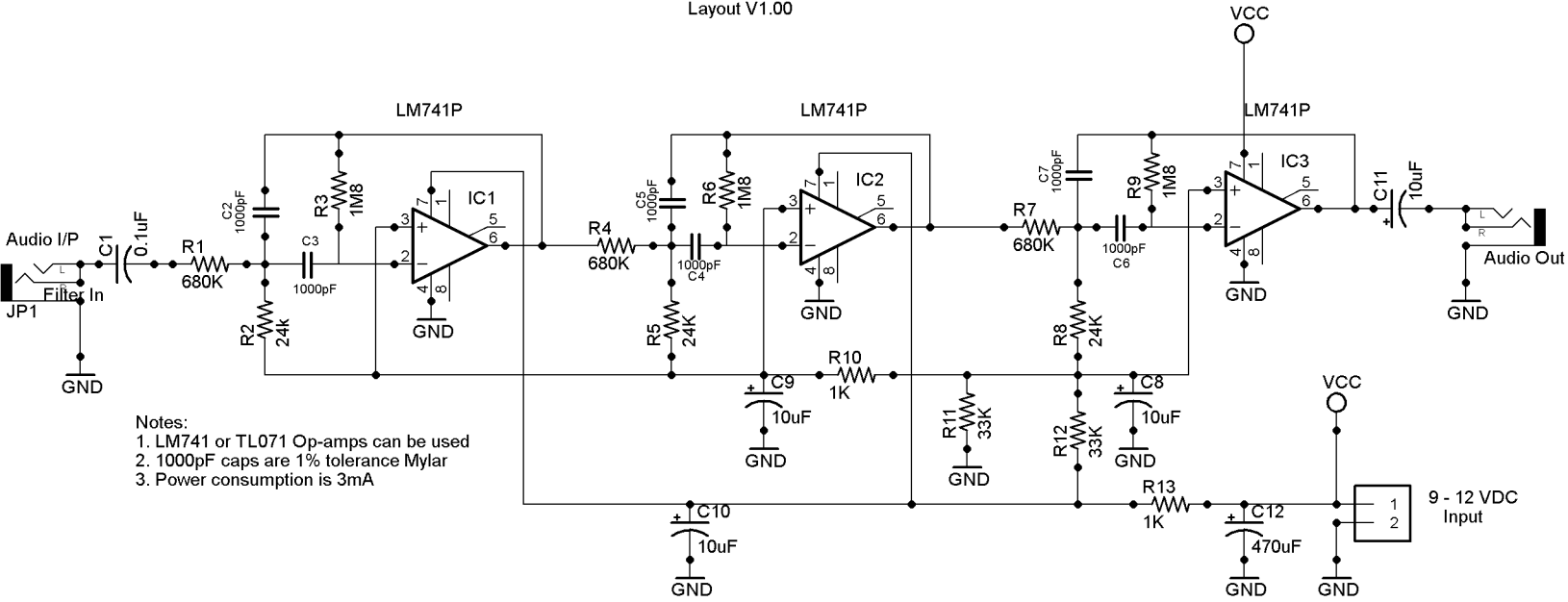


CW Filter - 600Hz  
Spark Gaps Design  
May 6th 2017  
Layout V1.00



Notes:

1. LM741 or TL071 Op-amps can be used
2. 1000pF caps are 1% tolerance Mylar
3. Power consumption is 3mA