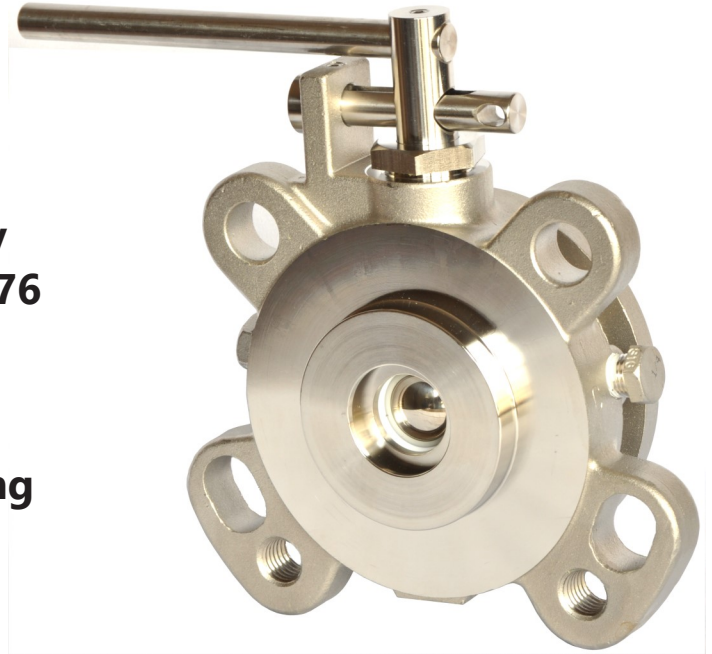


### Features:

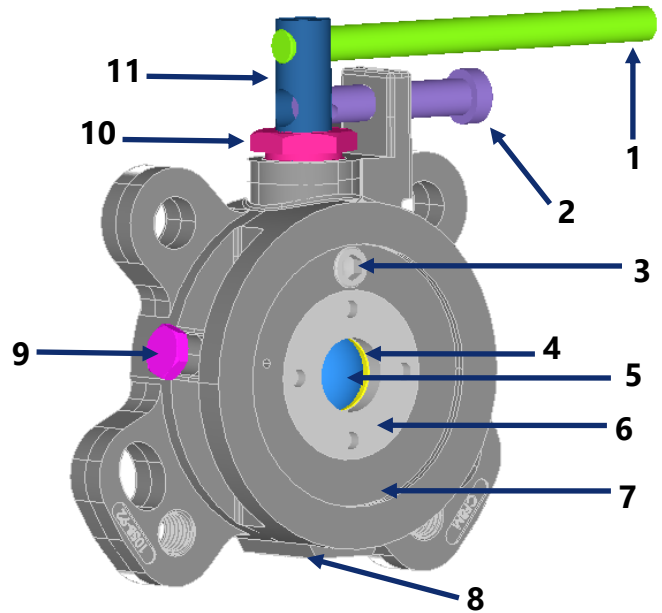
- Quarter turn
- 316 Stainless Steel
- Bubble tight shutoff as defined by exceeding both ANSI/FCI 70-2-1976 Class VI and API 598 standards
- Calibration / Purge Port(s)
- Full 3" diameter diaphragm sensing area
- Integral closed position locking device



### Description:

The Figure 105 B is a quarter turn ball valve of transmitter isolation design that was created to replace leaky knife gate valves. It is an all stainless steel valve with RTFE seats and seals made of PTFE. The quarter turn handle allows quick operation and the multiple purge ports provide easy body as well as instrument side cleaning and calibration. Bubble tight shutoff as valve exceeds both the API 598 and Class VI ANSI/FCI 70-2-1976 standards.

Number	Part	Material	Quantity
1	Handle	304 SS	1
2	Lockout Pin	304 SS	1
3	Stop Pin	304 SS	1
4	Seat	RTFE	2
5	Ball	ASTM A351 CF8M	1
6	Retainer	ASTM A351 CF8M	1
7	Body	ASTM A351 CF8M	1
8	Name Plate	ASTM A351 CF8M	1
9	1/4" NPT Plug	316 SS	2
10	Gland Nut	304 SS	1
11	Stem	ASTM A351 CF8M	1



## Specification:

Valve shall be a ball valve of transmitter isolation design with a 316 stainless steel body, a 3" sensing area and a 1" port. It is to have a tank side flange drilled and tapped to accommodate a 26° to 28° offset (knife gate) flange pattern in addition to the standard ANSI 150 # 4 bolt flange pattern. Valve shall have a stainless steel locking closed handle. Valve to have (1) one purge port in cavity behind the ball and (1) calibration / purge port. Both ports to be 1/4" NPT using MNPT plugs made of 316 stainless steel. One purge port to purge body through (3) holes in the body of the valve. Calibration / Purge port is to be clearly marked on valve body. Seats to be made of RTFE; seals to be made of PTFE; retainer gasket and packing in Teflon. Valve tested to exceed both the API 598 and Class VI ANSI / FCI 70-2-1976 standards.