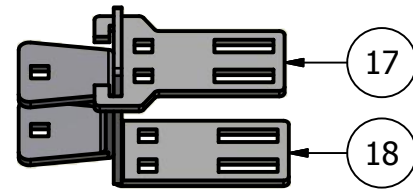


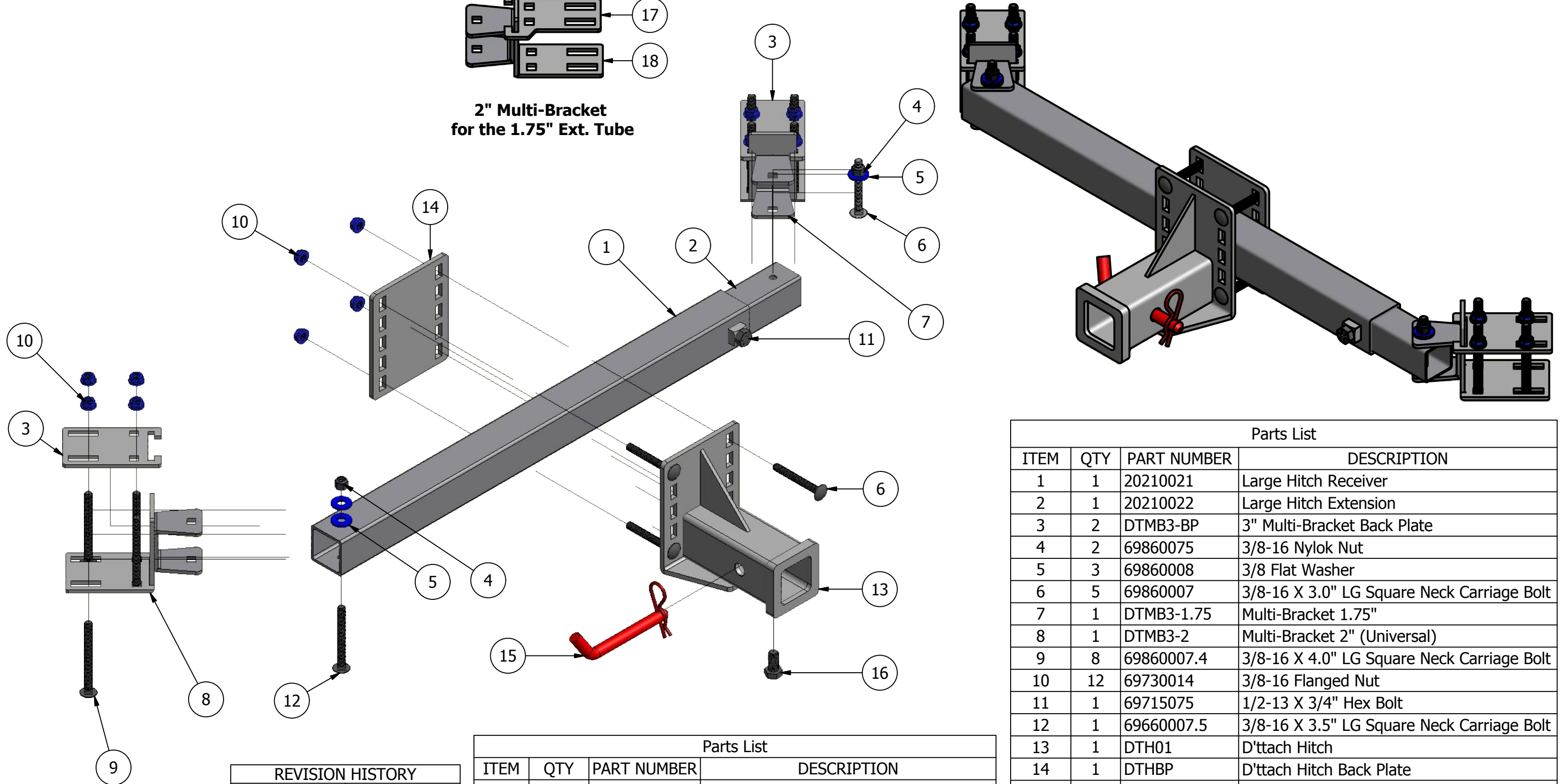


DTHLG-UNI+1

NOTE: Part Number **DTHLG-UNI+1** 2020 & Up Large Telescopic Cross Bar Spans 31-44 inches between castor arms with 2 - 3" Multi-Brackets & 1 - 2" Multi-Bracket.
Includes all parts below.



**2" Multi-Bracket
for the 1.75" Ext. Tube**



Parts List			
ITEM	QTY	PART NUMBER	DESCRIPTION
1	1	20210021	Large Hitch Receiver
2	1	20210022	Large Hitch Extension
3	2	DTMB3-BP	3" Multi-Bracket Back Plate
4	2	69860075	3/8-16 Nylok Nut
5	3	69860008	3/8 Flat Washer
6	5	69860007	3/8-16 X 3.0" LG Square Neck Carriage Bolt
7	1	DTMB3-1.75	Multi-Bracket 1.75"
8	1	DTMB3-2	Multi-Bracket 2" (Universal)
9	8	69860007.4	3/8-16 X 4.0" LG Square Neck Carriage Bolt
10	12	69730014	3/8-16 Flanged Nut
11	1	69715075	1/2-13 X 3/4" Hex Bolt
12	1	69660007.5	3/8-16 X 3.5" LG Square Neck Carriage Bolt
13	1	DTH01	D'ttach Hitch
14	1	DTHBP	D'ttach Hitch Back Plate
15	1	DT58HP	5/8 Hitch Pin w/ Cotter Pin
16	1	69715100	1/2-13 X 1.0" Hex Bolt

Parts List			
ITEM	QTY	PART NUMBER	DESCRIPTION
17	1	DTMB2-BP	2" Multi-Bracket Back Plate
18	1	DTMB2-1.75	2" Multi Bracket for the 1.75" Ext. Tube

REVISION HISTORY	
REV	DATE
C	02/13/2021