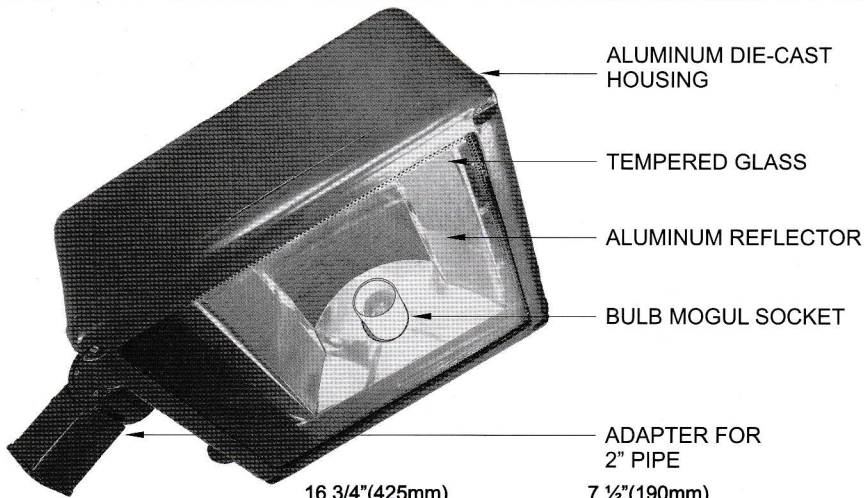
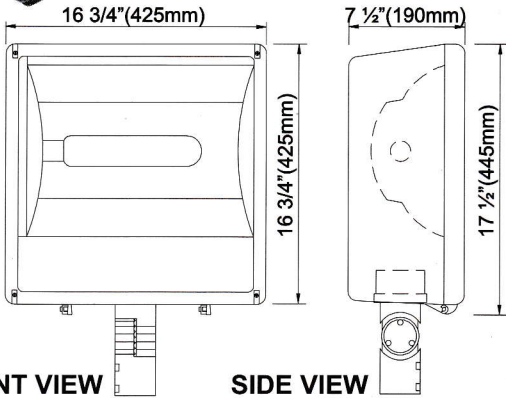


# AMCO ALUMINUM DIE-CAST FLOODLIGHT (WITH STEEL TAPERED LAMP POST)



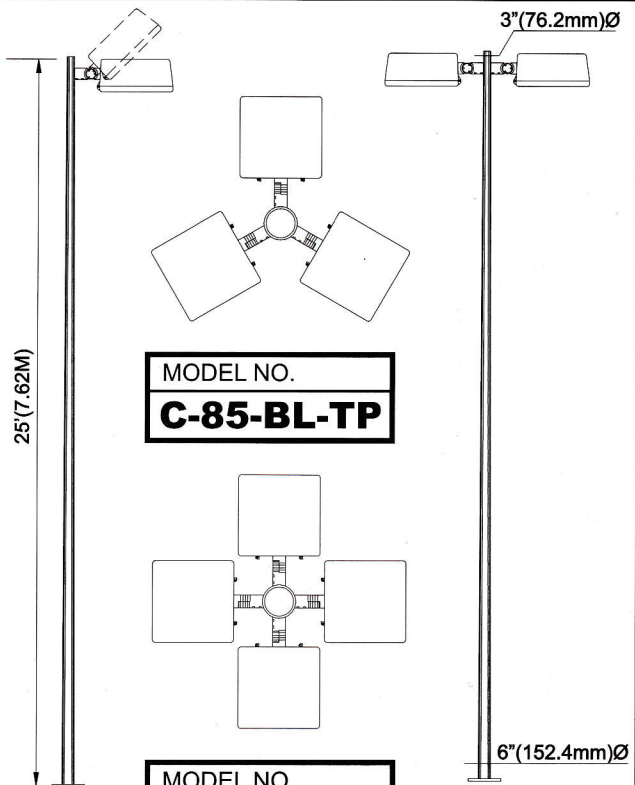
(250-400W)



MODEL NO.  
**C-85-BL**

FRONT VIEW

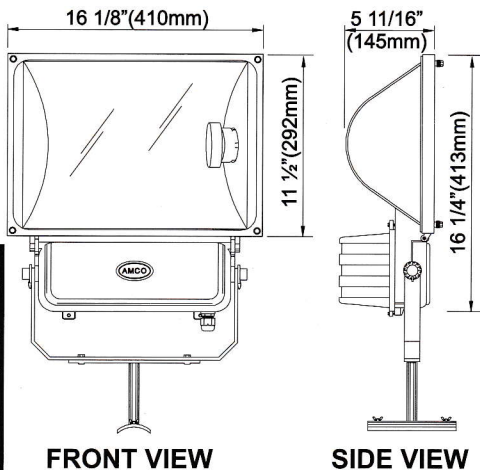
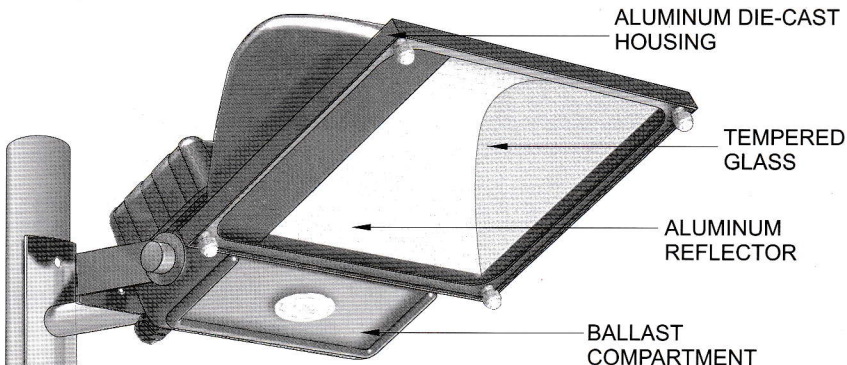
SIDE VIEW



MODEL NO.  
**C-85-BL-TP**

MODEL NO.  
**C-85-BL-FP**

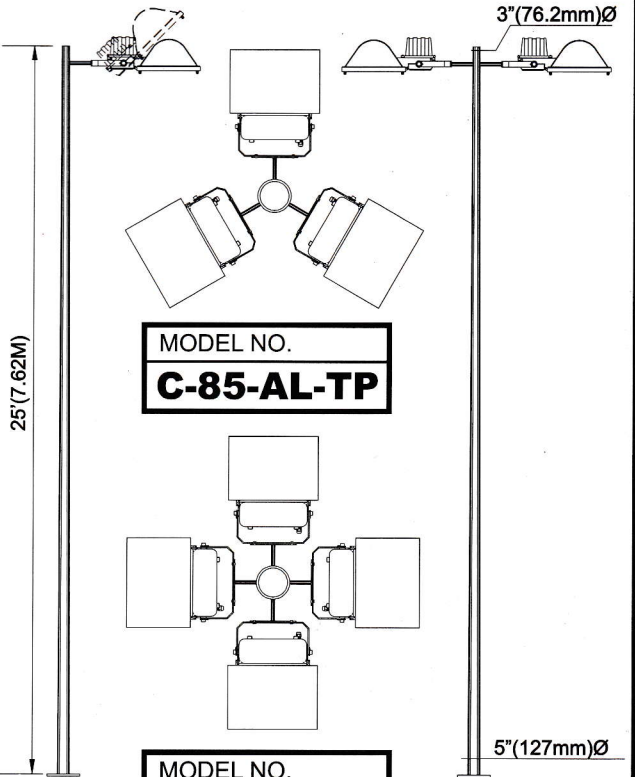
MODEL NO.  
**C-85-BL-DP**



MODEL NO.  
**C-85-AL**  
 ACCOMMODATE  
 W/ BALLAST:  
 150-400W  
 W/O BALLAST:  
 250-500W

FRONT VIEW

SIDE VIEW



MODEL NO.  
**C-85-AL-TP**

MODEL NO.  
**C-85-AL-FP**

MODEL NO.  
**C-85-AL-DP**