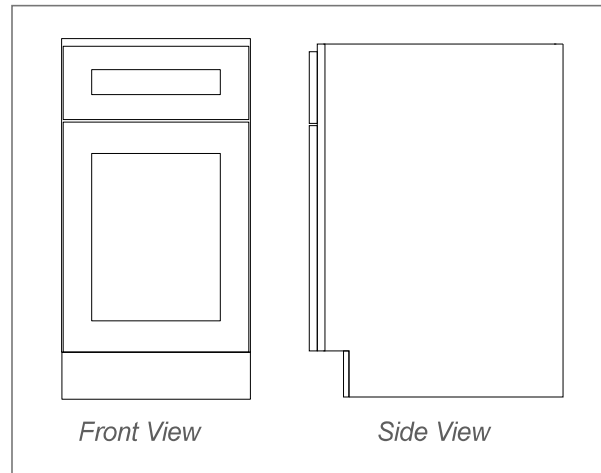
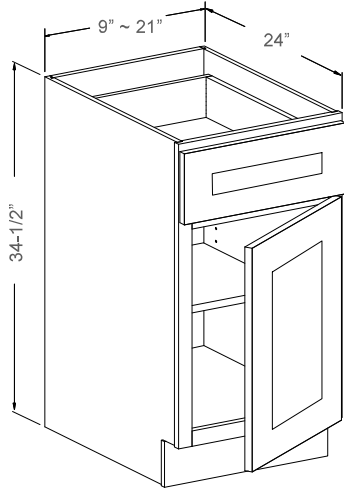


Base Cabinet With 1 Drawer & 1 Door

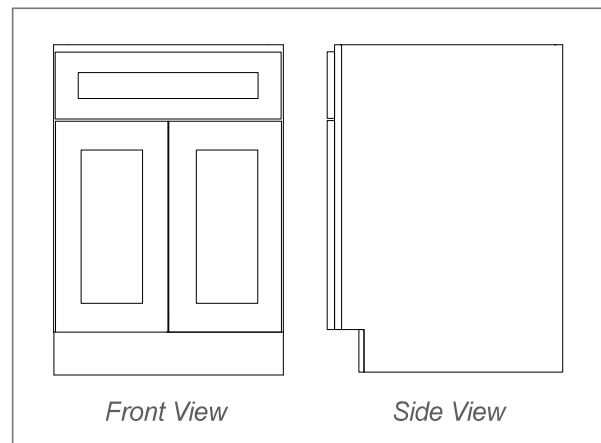
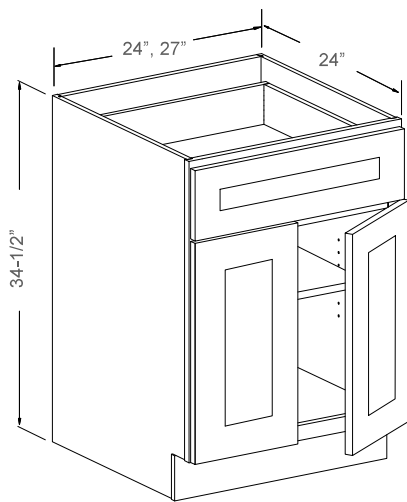


Features

- 1 Drawer
- 1 Door
- 1 Adjustable Shelf

Item Code	Dimensions	Weight
B09	9W x 34-1/2H x 24D	42 LB
B12	12W x 34-1/2H x 24D	45 LB
B15	15W x 34-1/2H x 24D	50 LB
B18	18W x 34-1/2H x 24D	53 LB
B21	21W x 34-1/2H x 24D	57 LB

Base Cabinet With 1 Drawer & 2 Doors



Features

- 1 Drawer
- 2 Doors
- 1 Adjustable Shelf

Item Code	Dimensions	Weight
B24	24W x 34-1/2H x 24D	63 LB
B27	27W x 34-1/2H x 24D	68 LB

BASE CABINETS

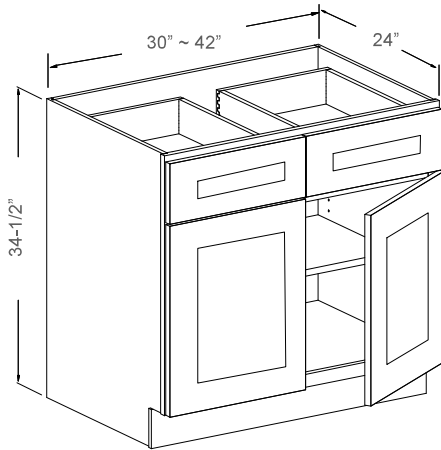
PLEASE CALL FIRST All specifications are subject to change without notice. All images are for reference only. To ensure the highest satisfaction, we strongly recommend you view an actual sample for product style and construction.

BASE CABINETS



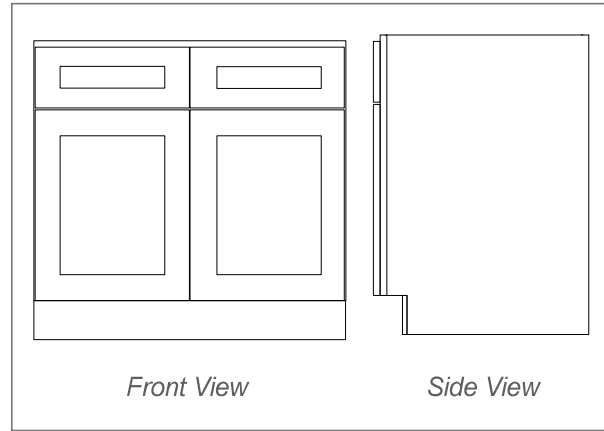
J&K CABINETRY NC

Base Cabinet With 2 Drawers & 2 Doors



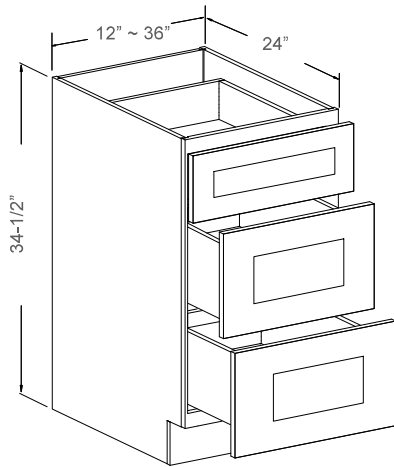
Features

- 2 Drawers
- 2 Doors
- 1 Adjustable Shelf



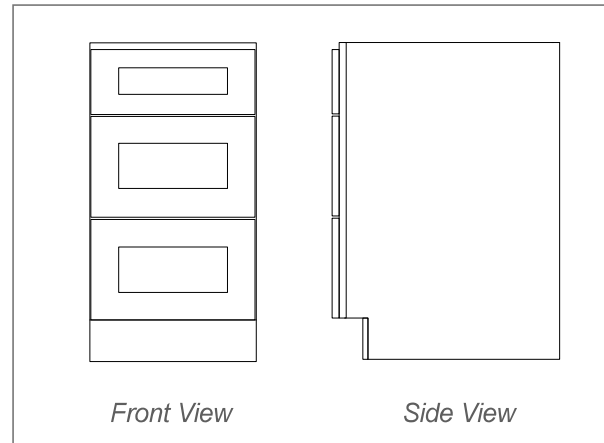
Item Code	Dimensions	Weight
B30	30W x 34-1/2H x 24D	81 LB
B33	33W x 34-1/2H x 24D	85 LB
B36	36W x 34-1/2H x 24D	89 LB
B42	42W x 34-1/2H x 24D	94 LB

Drawer Base With 3 Drawers



Features

- 1 Small Drawer
- 2 Large Drawers



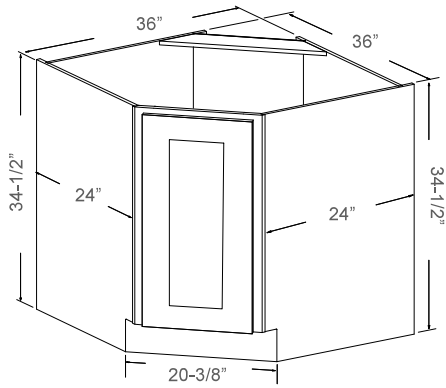
Item Code	Dimensions	Weight
DB12-3	12W x 34-1/2H x 24D	68 LB
DB15-3	15W x 34-1/2H x 24D	76 LB
DB18-3	18W x 34-1/2H x 24D	81 LB
DB21-3	21W x 34-1/2H x 24D	86 LB
DB24-3	24W x 34-1/2H x 24D	93 LB
DB30-3	30W x 34-1/2H x 24D	103 LB
DB33-3	33W x 34-1/2H x 24D	107 LB
DB36-3	36W x 34-1/2H x 24D	111 LB

PLEASE CALL FIRST Availability for a particular product style and color may vary depending on showroom locations. Please check with your local J&K Cabinetry showroom or dealer for current availability before planning your projects.

BASE CABINETS



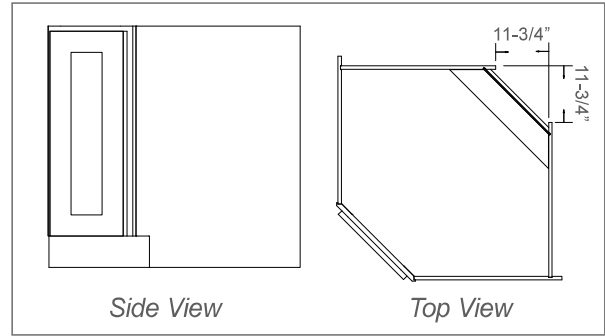
Base Diagonal Sink



Features

- 1 Door: 14-3/4" W x 29-1/4" H
- No Shelf

Notes: Back Panel NOT Open

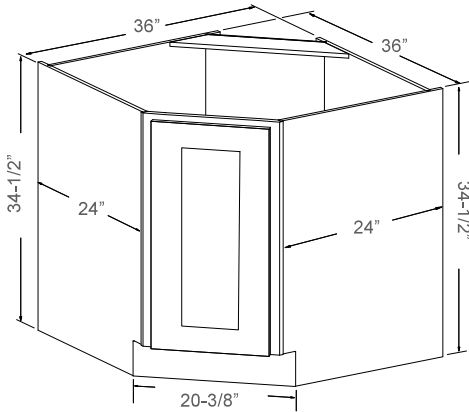


Side View

Top View

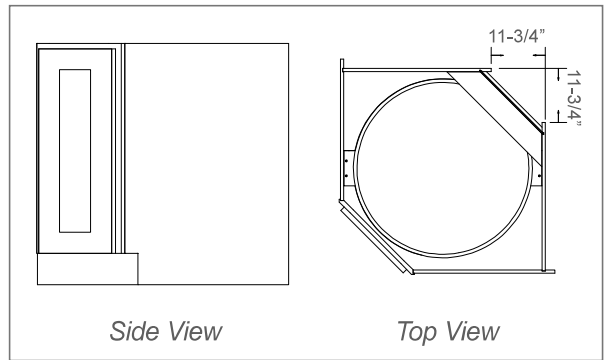
Item Code	Dimensions	Weight
* CSB36	36W x 34-1/2H x 24D	62 LB

Base Diagonal Corner



Features

- 1 Full Door: 14-3/4" W x 29-1/4" H
- 2 Wooden Round Susans

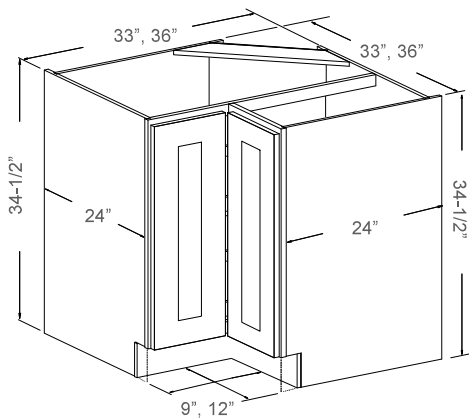


Side View

Top View

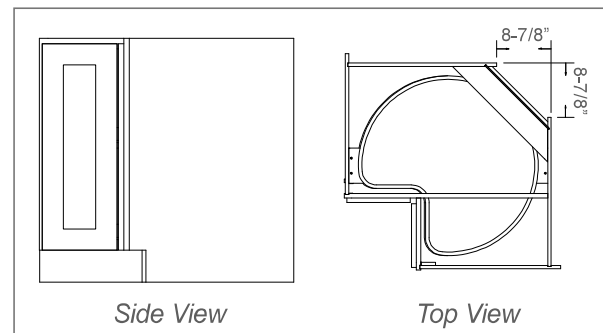
Item Code	Dimensions	Weight
CBD36	36W x 34-1/2H x 24D	81 LB

Lazy Susan



Features

- 1 Bi-folding Door: 7-1/2" W, 10-1/2" W x 29-1/4" H
- 2 Wooden Kidney-Shaped Susans



Side View

Top View

Item Code	Dimensions	Weight
* LS3309	33W x 34-1/2H x 24D	77 LB
LS3612	36W x 34-1/2H x 24D	81 LB

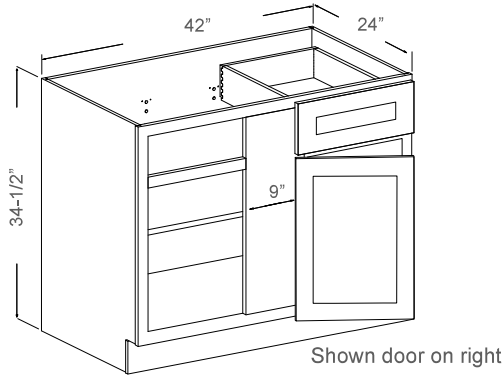
BASE CABINETS

PLEASE CALL FIRST All specifications are subject to change without notice. All images are for reference only. To ensure the highest satisfaction, we strongly recommend you view an actual sample for product style and construction.

BASE CABINETS



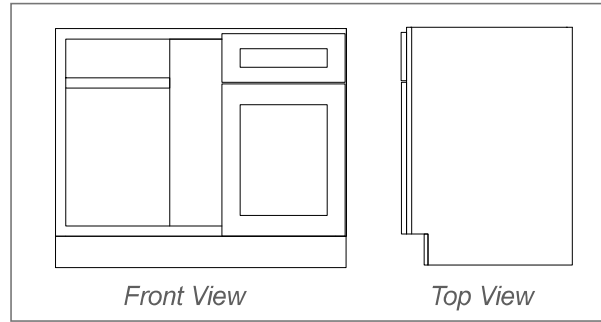
Base Blind Corner (L/R)



Features

- 1 Drawer on Left or Right
- 1 Door on Left or Right
- 1 Adjustable Shelf

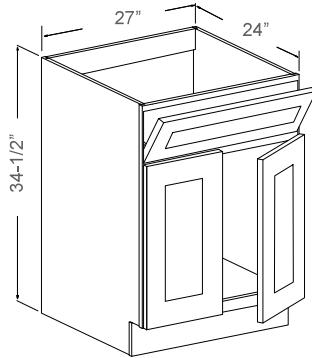
Notes: Minimum 3" Pull From The Wall When Install



Item Code	Dimensions	Weight
BBC42L	42W x 34-1/2H x 24D	78 LB
BBC42R	42W x 34-1/2H x 24D	78 LB

J&K CABINETRY NC

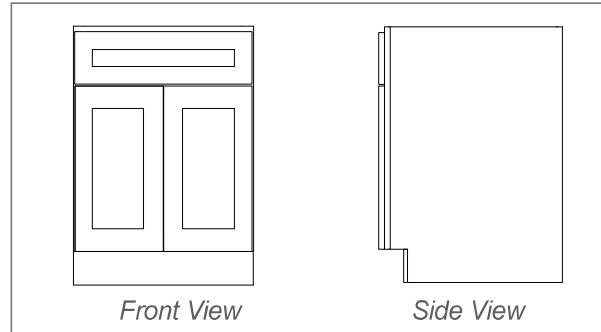
Sink Base With 2 Doors



Features

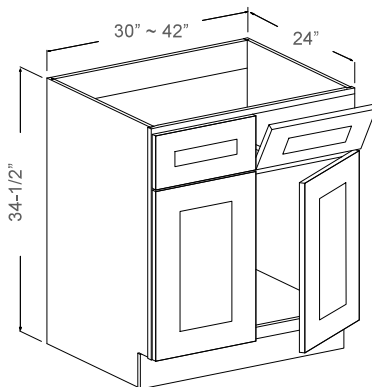
- 1 Tilt-Out Drawer With Tray
- 2 Doors ▪ No Shelf

Notes: Back Panel Open



Item Code	Dimensions	Weight
SB27	27W x 34-1/2H x 24D	48 LB

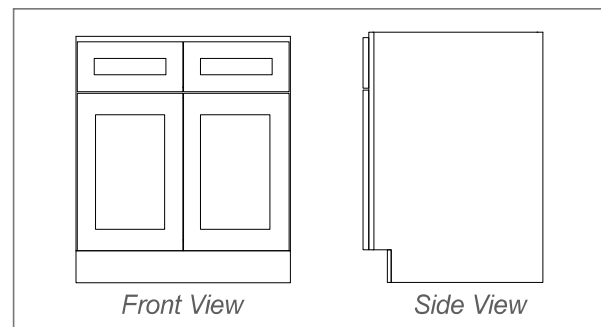
Sink Base With 2 Doors



Features

- 2 Tilt-Out Drawers With Trays
- 2 Doors ▪ No Shelf

Notes: Back Panel Open



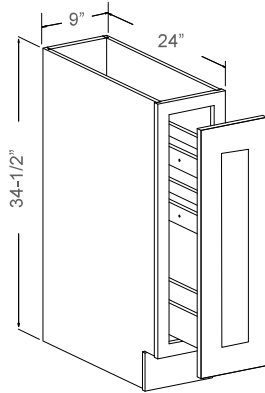
Item Code	Dimensions	Weight
* SB30	30W x 34-1/2H x 24D	49 LB
SB33	33W x 34-1/2H x 24D	50 LB
SB36	36W x 34-1/2H x 24D	54 LB
SB42	42W x 34-1/2H x 24D	59 LB

PLEASE CALL FIRST Availability for a particular product style and color may vary depending on showroom locations. Please check with your local J&K Cabinetry showroom or dealer for current availability before planning your projects.

BASE CABINETS



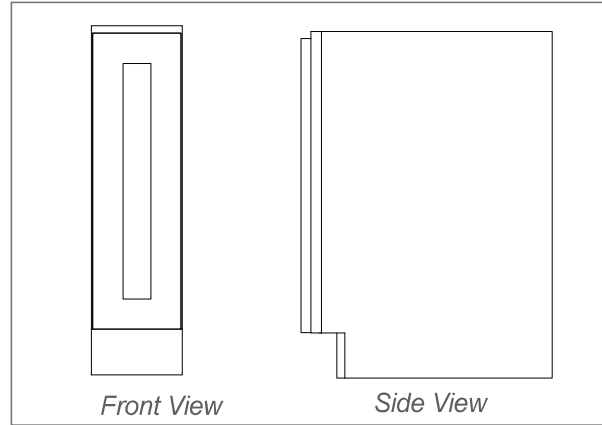
Spice Pull-Out Base Cabinet



Features

- 1 Door: 8-3/4"W x 29-1/4"H
- 3 Fixed Pull-Out Shelves

Notes: Standard Ball Bearing Side Glide

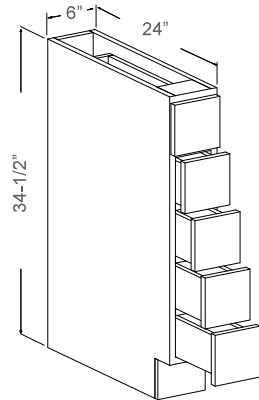


Front View

Side View

Item Code	Dimensions	Weight
SP09	9W x 34-1/2H x 24D	42 LB

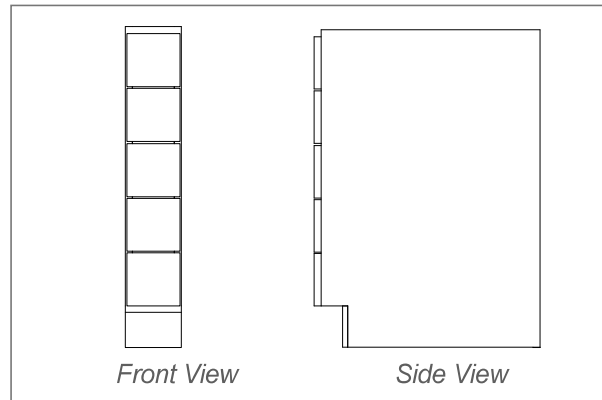
Spice Drawer Base Cabinet



Features

- 5 Square Drawers: 5-3/4"W x 5-1/2"H (Each)

Notes: No Glides

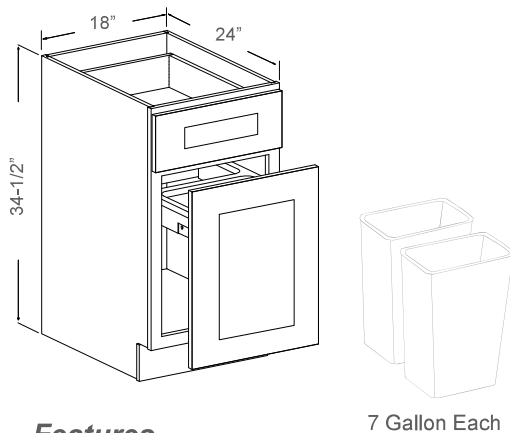


Front View

Side View

Item Code	Dimensions	Weight
BWRC6	6W x 34-1/2H x 24D	56 LB

Waste Bin Base Cabinet

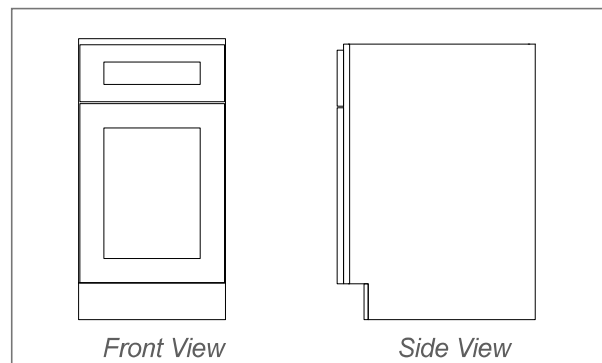


7 Gallon Each

Features

- 1 Drawer
- 1 Door
- 2 Large Bin Cut-Outs

Notes: Plastic Waste Bins NOT Included



Front View

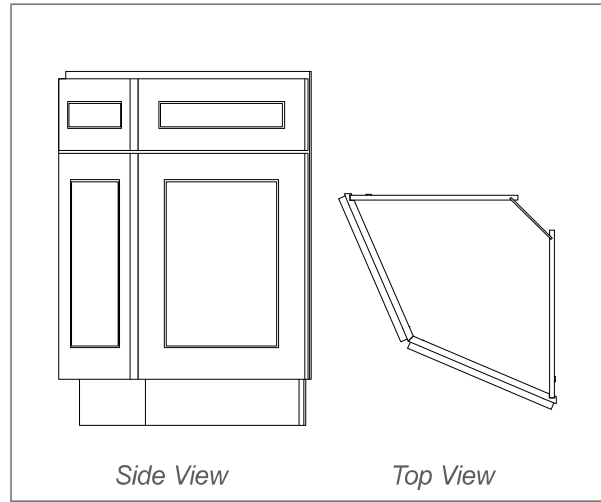
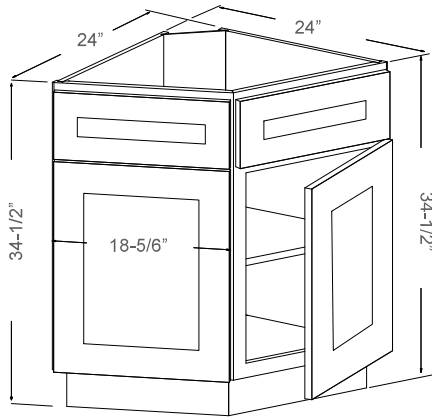
Side View

Item Code	Dimensions	Weight
BWBK18-2	18W x 34-1/2H x 24D	61 LB

BASE CABINETS

PLEASE CALL FIRST All specifications are subject to change without notice. All images are for reference only. To ensure the highest satisfaction, we strongly recommend you view an actual sample for product style and construction.

BASE CABINETS



Side View

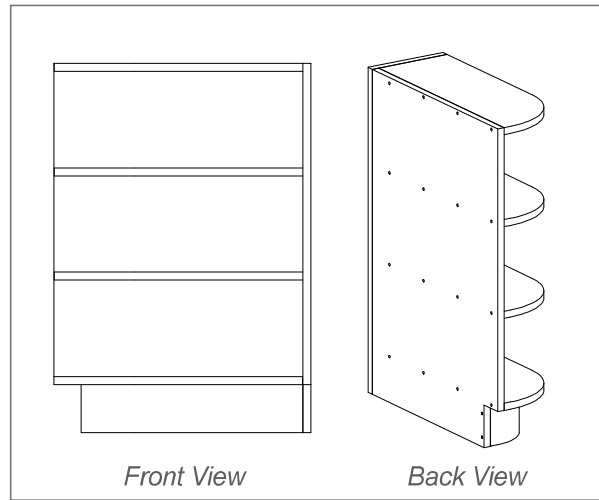
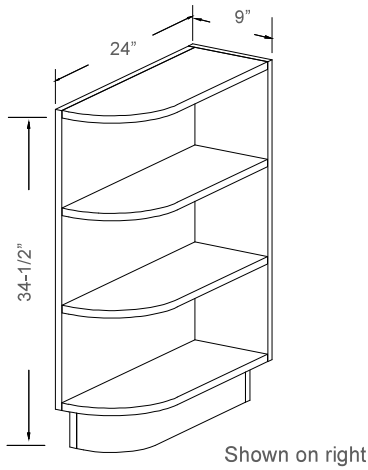
Top View

Features

- 2 Dummy Drawers
- 2 Doors
- 1 Adjustable Shelf

Item Code	Dimensions	Weight
BEC24	24W x 34-1/2H x 24D	48 LB

Base End Corner



Front View

Back View

Features

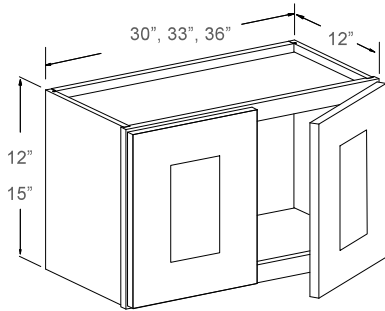
- 3 Fixed Shelves
- Matching Color Finish

Item Code	Dimensions	Weight
BES09	9W x 34-1/2H x 24D	34 LB

Base End Shelf (L/R)

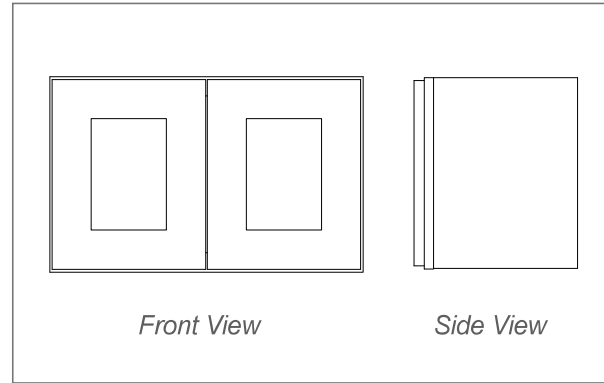
PLEASE CALL FIRST Availability for a particular product style and color may vary depending on showroom locations. Please check with your local J&K Cabinetry showroom or dealer for current availability before planning your projects.

Wall Cabinet - 12"H & 15"H



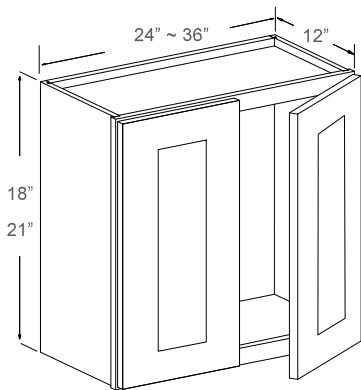
Features

- 2 Doors
- No Shelf



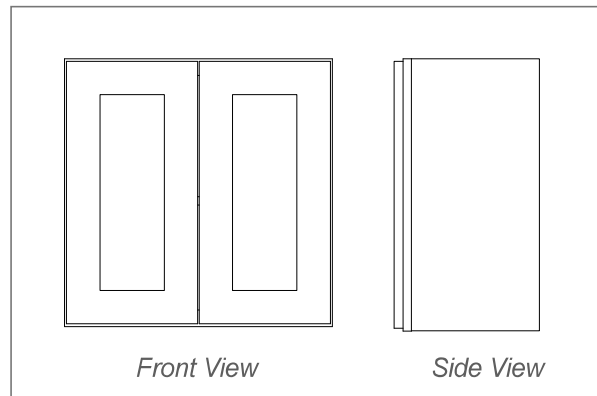
Item Code	Dimensions	Weight
W3012	30W x 12H x 12D	20 LB
W3312	33W x 12H x 12D	22 LB
W3612	36W x 12H x 12D	23 LB
W3015	30W x 15H x 12D	22 LB
W3315	33W x 15H x 12D	25 LB
W3615	36W x 15H x 12D	27 LB

Wall Cabinet - 18"H & 21"H



Features

- 2 Doors
- No Shelf



Item Code	Dimensions	Weight
* W2418	24W x 18H x 12D	23 LB
W3018	30W x 18H x 12D	26 LB
W3318	33W x 18H x 12D	28 LB
W3618	36W x 18H x 12D	30 LB
W3021	30W x 21H x 12D	29 LB
W3321	33W x 21H x 12D	31 LB
W3621	36W x 21H x 12D	36 LB

WALL CABINETS

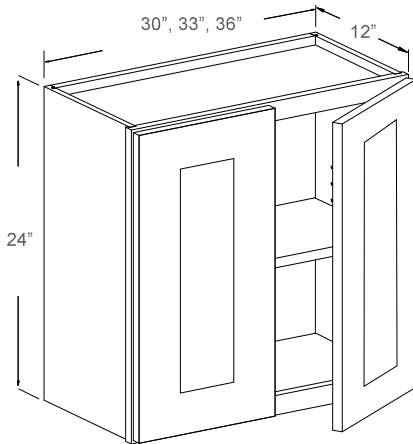
PLEASE CALL FIRST All specifications are subject to change without notice. All images are for reference only. To ensure the highest satisfaction, we strongly recommend you view an actual sample for product style and construction.

WALL CABINETS



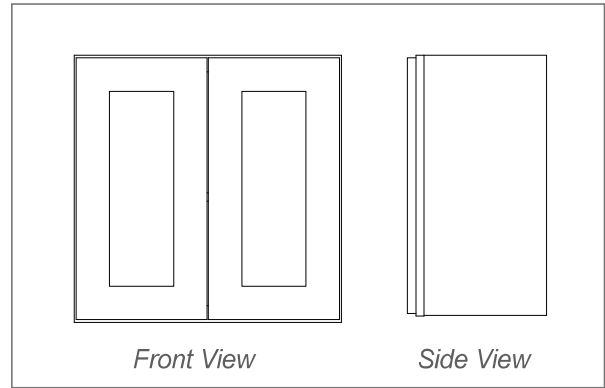
J&K CABINETS NC

Wall Cabinet - 24" H



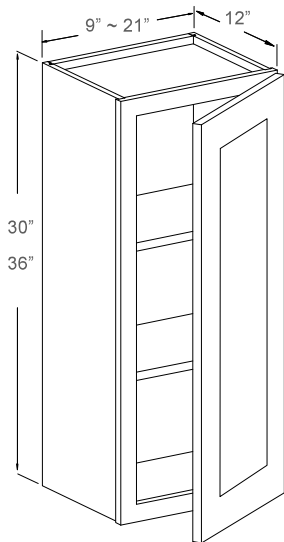
Features

- 2 Doors
- 1 Adjustable Shelf



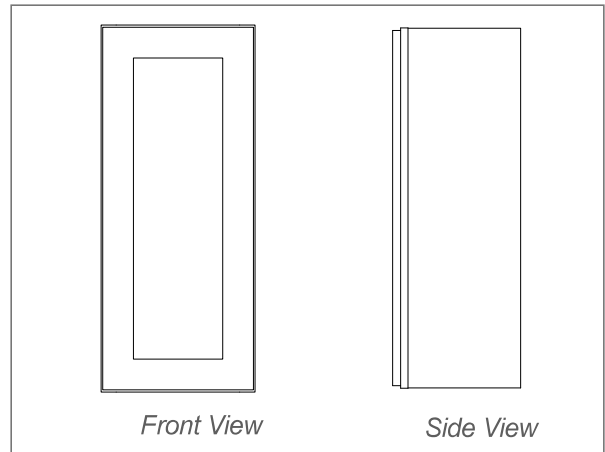
Item Code	Dimensions	Weight
W3024	30W x 24H x 12D	36 LB
W3324	33W x 24H x 12D	40 LB
W3624	36W x 24H x 12D	41 LB

Wall Cabinet - 30" H & 36" H



Features

- 1 Door
- 2 Adjustable Shelves



Item Code	Dimensions	Weight
W0930	9W x 30H x 12D	20 LB
W1230	12W x 30H x 12D	23 LB
W1530	15W x 30H x 12D	27 LB
W1830	18W x 30H x 12D	30 LB
W2130	21W x 30H x 12D	32 LB

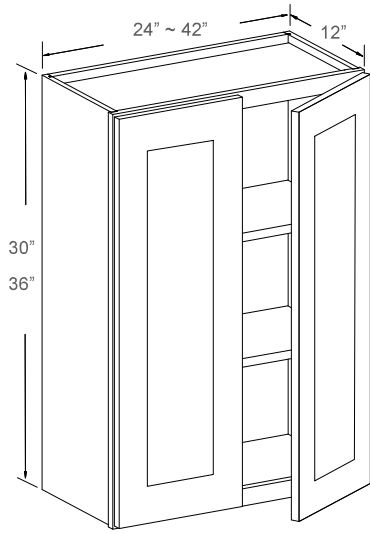
W0936	9W x 36H x 12D	23 LB
W1236	12W x 36H x 12D	27 LB
W1536	15W x 36H x 12D	29 LB
W1836	18W x 36H x 12D	34 LB
W2136	21W x 36H x 12D	38 LB

PLEASE CALL FIRST Availability for a particular product style and color may vary depending on showroom locations. Please check with your local J&K Cabinetry showroom or dealer for current availability before planning your projects.

WALL CABINETS

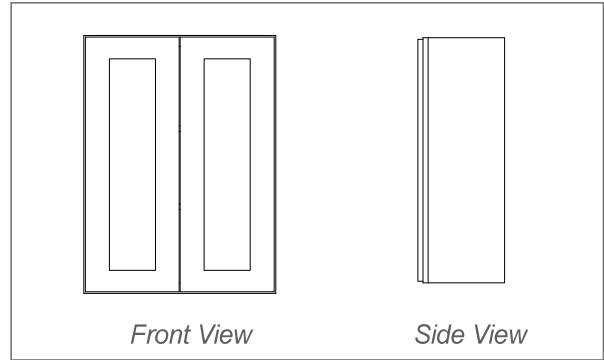


Wall Cabinet - 30"H & 36"H



Features

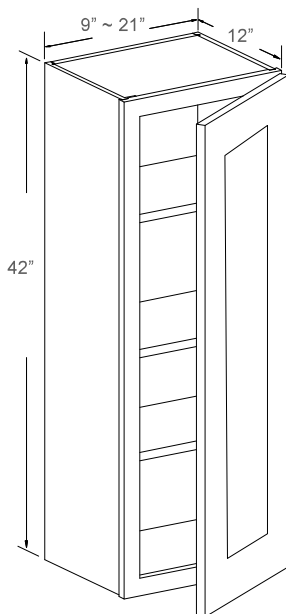
- 2 Doors
- 2 Adjustable Shelves



Item Code	Dimensions	Weight
W2430	24W x 30H x 12D	38 LB
W2730	27W x 30H x 12D	42 LB
W3030	30W x 30H x 12D	46 LB
W3330	33W x 30H x 12D	50 LB
W3630	36W x 30H x 12D	52 LB
W4230	42W x 30H x 12D	59 LB

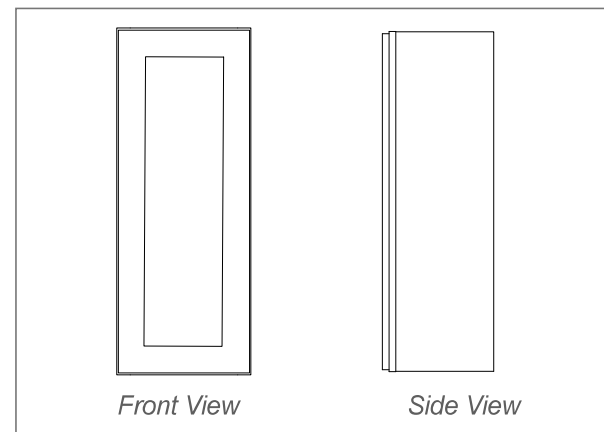
W2436	24W x 36H x 12D	43 LB
W2736	27W x 36H x 12D	45 LB
W3036	30W x 36H x 12D	51 LB
W3336	33W x 36H x 12D	55 LB
W3636	36W x 36H x 12D	59 LB
W4236	42W x 36H x 12D	66 LB

Wall Cabinet - 42\"/>



Features

- 1 Door
- 3 Adjustable Shelves



Item Code	Dimensions	Weight
W0942	9W x 42H x 12D	27 LB
W1242	12W x 42H x 12D	31 LB
W1542	15W x 42H x 12D	34 LB
W1842	18W x 42H x 12D	40 LB
W2142	21W x 42H x 12D	43 LB

WALL CABINETS

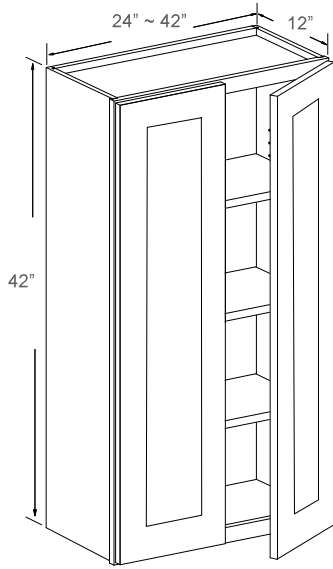
PLEASE CALL FIRST All specifications are subject to change without notice. All images are for reference only. To ensure the highest satisfaction, we strongly recommend you view an actual sample for product style and construction.

WALL CABINETS



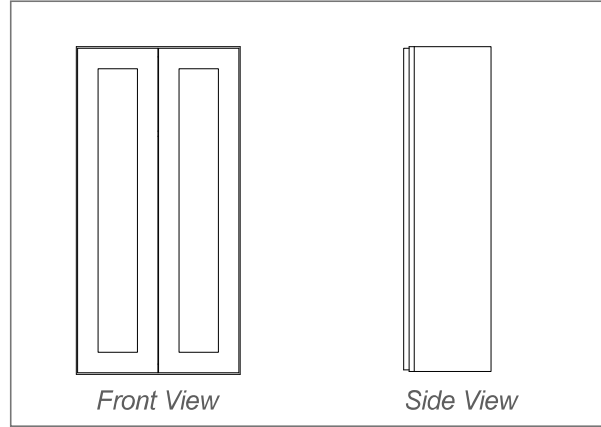
J&K CABINETS NC

Wall Cabinet - 42"H



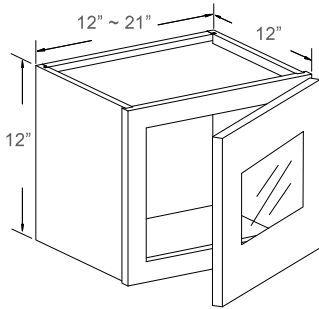
Features

- 2 Doors
- 3 Adjustable Shelves



Item Code	Dimensions	Weight
W2442	24W x 42H x 12D	49 LB
W2742	27W x 42H x 12D	55 LB
W3042	30W x 42H x 12D	60 LB
W3342	33W x 42H x 12D	63 LB
W3642	36W x 42H x 12D	69 LB
W4242	42W x 42H x 12D	78 LB

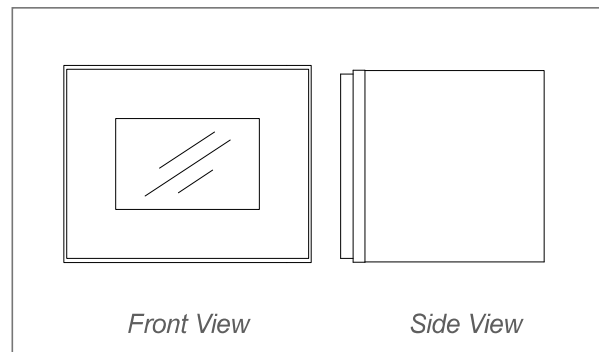
Wall Cabinet Glass Insert Door - 12"H



Features

- 1 Door
- No Shelf
- Matching Color Interior

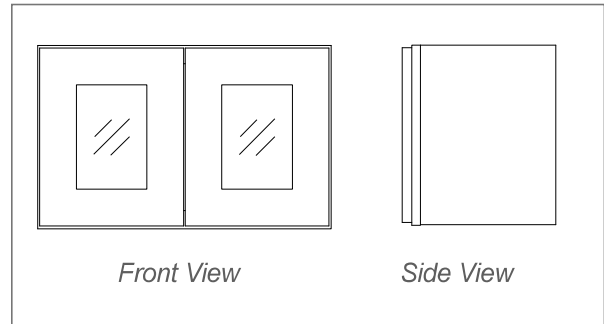
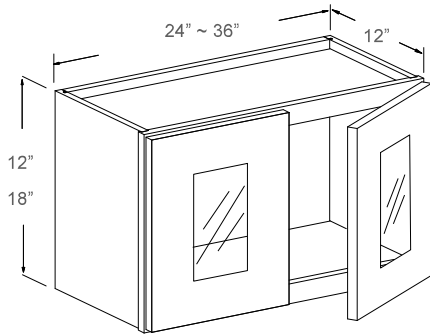
Notes: Glass Insert Not Included



Item Code	Dimensions	Weight
* WM1212H	12W x 12H x 12D	10 LB
* WM1512H	15W x 12H x 12D	12 LB
* WM1812H	18W x 12H x 12D	13 LB
* WM2112H	21W x 12H x 12D	25 LB

PLEASE CALL FIRST Availability for a particular product style and color may vary depending on showroom locations. Please check with your local J&K Cabinetry showroom or dealer for current availability before planning your projects.

Wall Cabinet Glass Insert Door - 12"H & 18"H



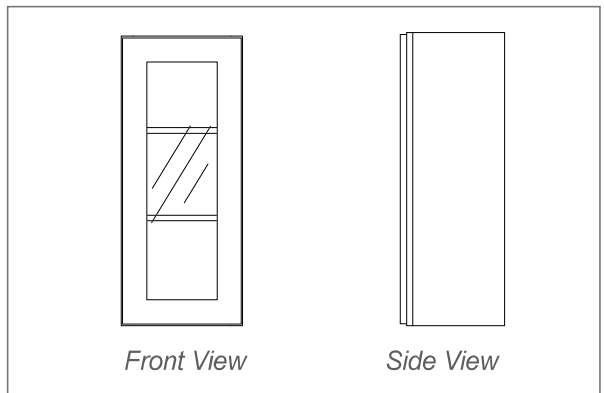
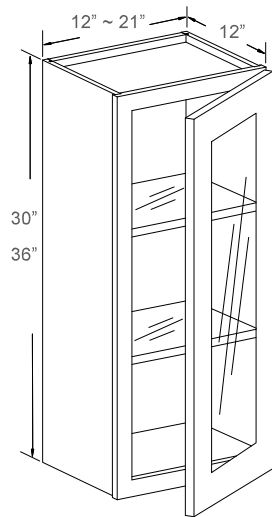
Features

- 2 Doors
- No Shelf
- Matching Color Interior

Notes: Glass Inserts NOT Included

Item Code	Dimensions	Weight
* WM2412H	24W x 12H x 12D	17 LB
* WM2712H	27W x 12H x 12D	34 LB
* WM3012H	30W x 12H x 12D	21 LB
* WM3312H	33W x 12H x 12D	21 LB
* WM3612H	36W x 12H x 12D	25 LB

Wall Cabinet Glass Insert Door - 30"H & 36"H



Features

- 1 Door
- 2 Adjustable Glass Shelves
- Matching Color Interior

Notes: Glass Shelves And Glass Insert NOT Included

Item Code	Dimensions	Weight
WM1230H	12W x 30H x 12D	18 LB
WM1530H	15W x 30H x 12D	20 LB
WM1830H	18W x 30H x 12D	22 LB
WM2130H	21W x 30H x 12D	25 LB
WM1236H	12W x 36H x 12D	21 LB
WM1536H	15W x 36H x 12D	23 LB
WM1836H	18W x 36H x 12D	25 LB
WM2136H	21W x 36H x 12D	28 LB

WALL CABINETS

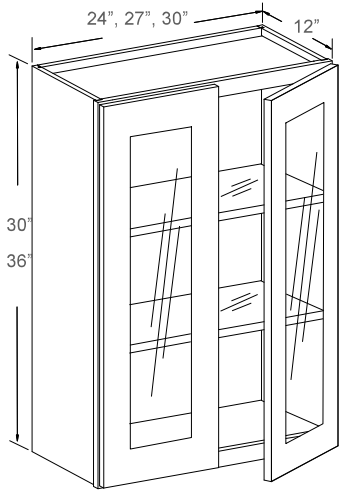
PLEASE CALL FIRST All specifications are subject to change without notice. All images are for reference only. To ensure the highest satisfaction, we strongly recommend you view an actual sample for product style and construction.

WALL CABINETS



J&K CABINETS NC

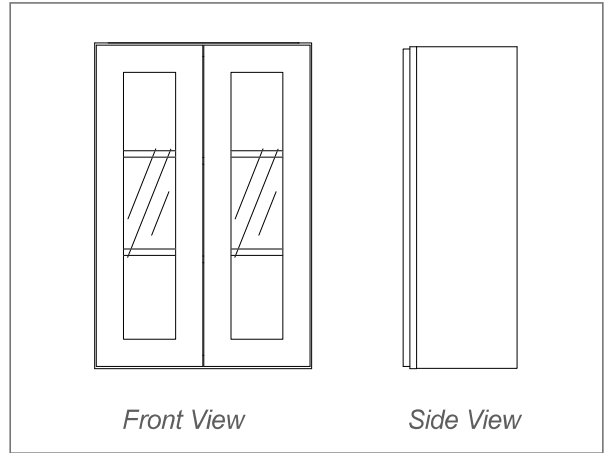
Wall Cabinet Glass Insert Door - 30"H & 36"H



Features

- 2 Doors
- 2 Adjustable Glass Shelves
- Matching Color Interior

Notes: Glass Shelves And Glass Inserts NOT Included



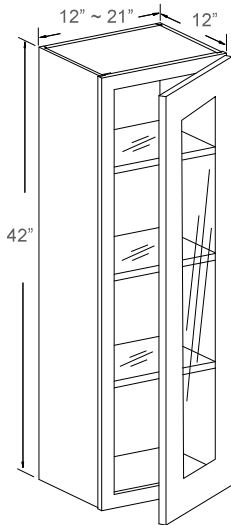
Front View

Side View

Item Code	Dimensions	Weight
WM2430H	24W x 30H x 12D	28 LB
WM2730H	27W x 30H x 12D	29 LB
WM3030H	30W x 30H x 12D	30 LB

WM2436H	24W x 36H x 12D	33 LB
WM2736H	27W x 36H x 12D	34 LB
WM3036H	30W x 36H x 12D	36 LB

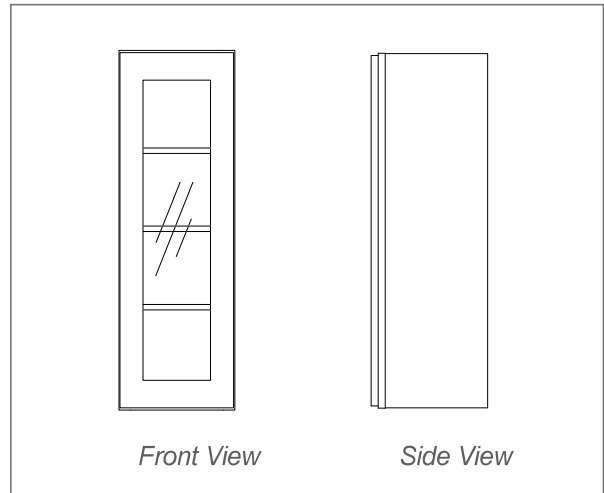
Wall Cabinet Glass Insert Door - 42"H



Features

- 1 Door
- 3 Adjustable Glass Shelves
- Matching Color Interior

Notes: Glass Shelves And Glass Insert NOT Included



Front View

Side View

Item Code	Dimensions	Weight
WM1242H	12W x 42H x 12D	25 LB
WM1542H	15W x 42H x 12D	27 LB
WM1842H	18W x 42H x 12D	28 LB
WM2142H	21W x 42H x 12D	32 LB

PLEASE CALL FIRST Availability for a particular product style and color may vary depending on showroom locations. Please check with your local J&K Cabinetry showroom or dealer for current availability before planning your projects.

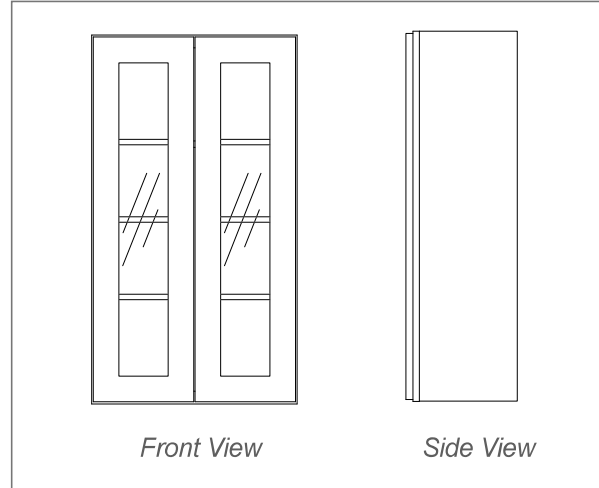
Wall Cabinet Glass Insert Door - 42"H



Features

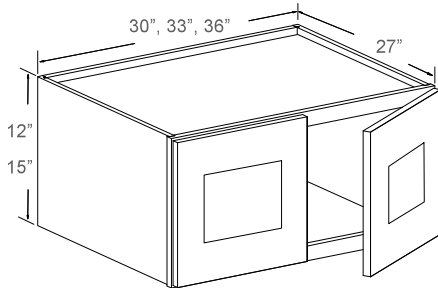
- 2 Doors
- 3 Adjustable Glass Shelves
- Matching Color Interior

Notes: Glass Shelves And Glass Inserts NOT Included



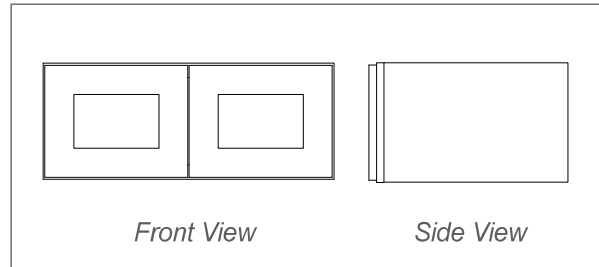
Item Code	Dimensions	Weight
WM2442H	24W x 42H x 12D	38 LB
WM2742H	27W x 42H x 12D	40 LB
WM3042H	30W x 42H x 12D	42 LB

Refrigerator Wall Cabinet - 12"H & 15"H



Features

- 2 Doors
- No Shelf

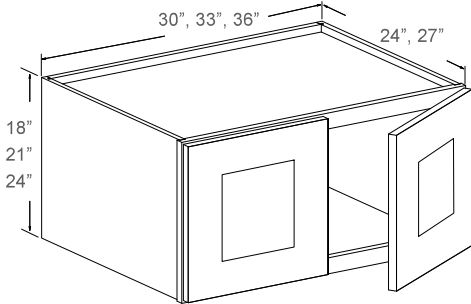


Item Code	Dimensions	Weight
W301227	30W x 12H x 27D	35 LB
W331227	33W x 12H x 27D	38 LB
W361227	36W x 12H x 27D	40 LB
W301527	30W x 15H x 27D	38 LB
W331527	33W x 15H x 27D	40 LB
W361527	36W x 15H x 27D	45 LB

WALL CABINETS

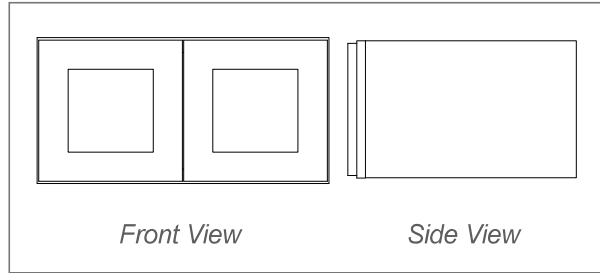
PLEASE CALL FIRST All specifications are subject to change without notice. All images are for reference only. To ensure the highest satisfaction, we strongly recommend you view an actual sample for product style and construction.

Refrigerator Wall Cabinet - 18" / 21" / 24" H



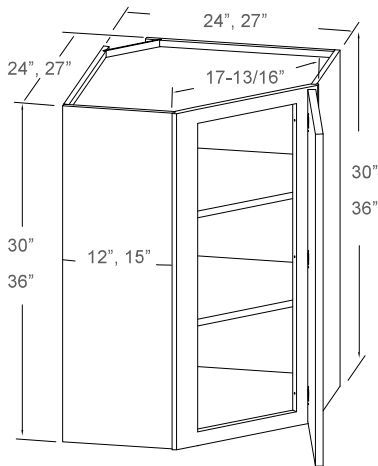
Features

- 2 Doors
- No Shelf



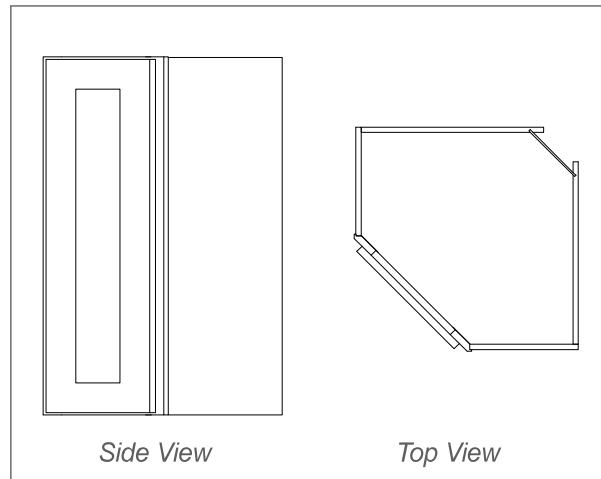
Item Code	Dimensions	Weight
W301827	30W x 18H x 27D	41 LB
W331827	33W x 18H x 27D	42 LB
W361827	36W x 18H x 27D	46 LB
W302127	30W x 21H x 27D	50 LB
W332127	33W x 21H x 27D	46 LB
W362127	36W x 21H x 27D	51 LB
W362424	36W x 24H x 24D	60 LB
W302427	30W x 24H x 27D	57 LB
W332427	33W x 24H x 27D	59 LB
W362427	36W x 24H x 27D	61 LB

Wall Diagonal Corner - 30" H & 36" H



Features

- 1 Door
- 2 Adjustable Shelves



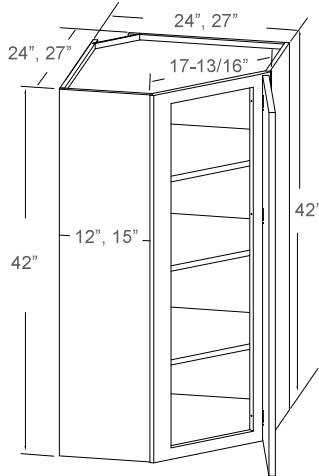
Item Code	Dimensions	Weight
WDC2430	24W x 30H x 12D	55 LB
WDC2436	24W x 36H x 12D	61 LB
WDC273615	27W x 36H x 15D	74 LB

PLEASE CALL FIRST Availability for a particular product style and color may vary depending on showroom locations. Please check with your local J&K Cabinetry showroom or dealer for current availability before planning your projects.

WALL CABINETS

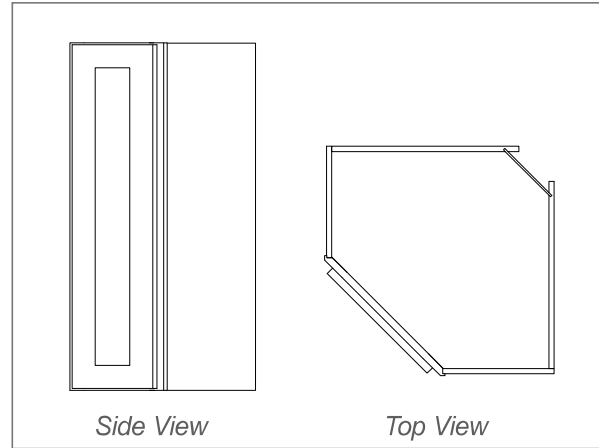


Wall Diagonal Corner - 42"H



Features

- 1 Door
- 3 Adjustable Shelves

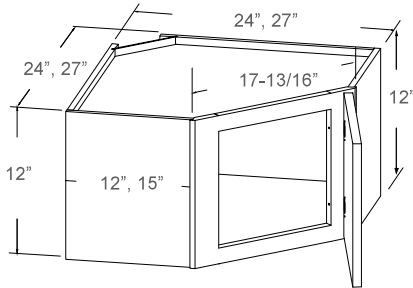


Side View

Top View

Item Code	Dimensions	Weight
WDC2442	24W x 42H x 12D	72 LB
WDC274215	27W x 42H x 15D	87 LB

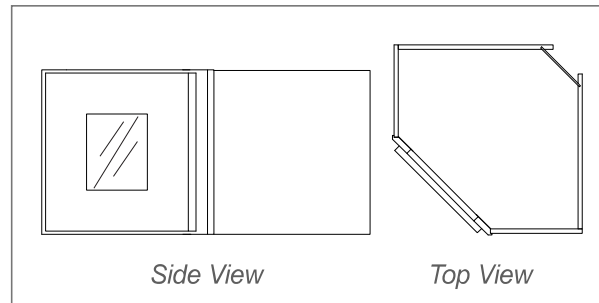
Wall Diagonal Corner Glass Insert Door - 12"H



Features

- 1 Door
- No Shelf
- Matching Color Interior

Notes: Glass Insert NOT Included

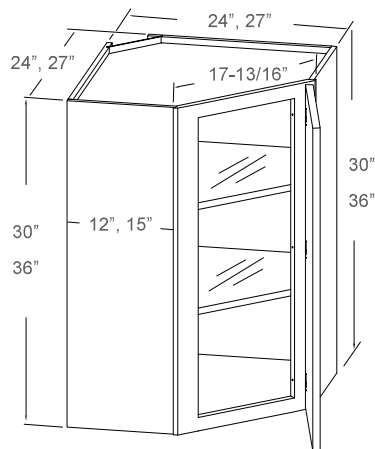


Side View

Top View

Item Code	Dimensions	Weight
* WMDC2412H	24W x 12H x 12D	25 LB
* WMDC271215H	27W x 12H x 15D	29 LB

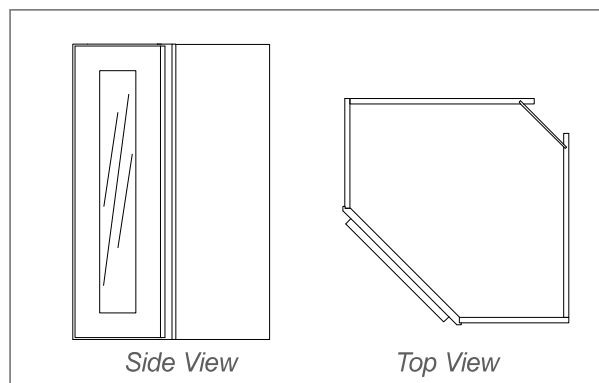
Wall Diagonal Corner Glass Insert Door - 30"H & 36"H



Features

- 1 Door
- 2 Adjustable Glass Shelves
- Matching Color Interior

Notes: Glass Shelves And Glass Insert NOT Included



Side View

Top View

Item Code	Dimensions	Weight
WMDC2430H	24W x 30H x 12D	39 LB
WMDC2436H	24W x 36H x 12D	46 LB
WMDC273615H	27W x 36H x 15D	54 LB

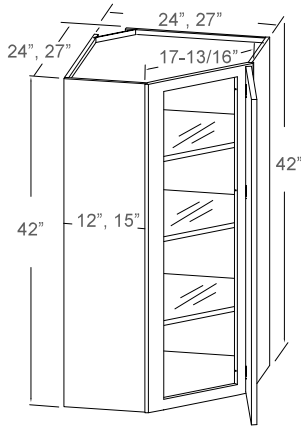
WALL CABINETS

PLEASE CALL FIRST All specifications are subject to change without notice. All images are for reference only. To ensure the highest satisfaction, we strongly recommend you view an actual sample for product style and construction.

WALL CABINETS



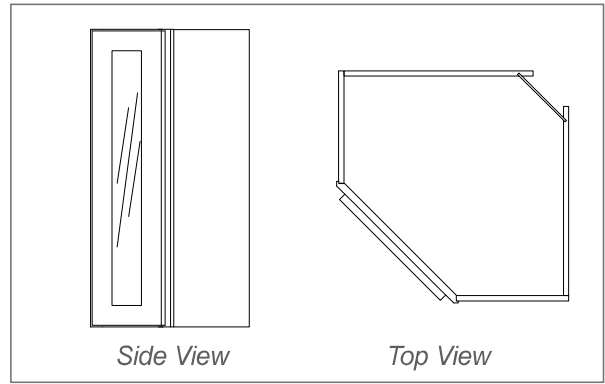
Wall Diagonal Corner
Glass Insert Door - 42"H



Features

- 1 Door
- 3 Adjustable Glass Shelves
- Matching Color Interior

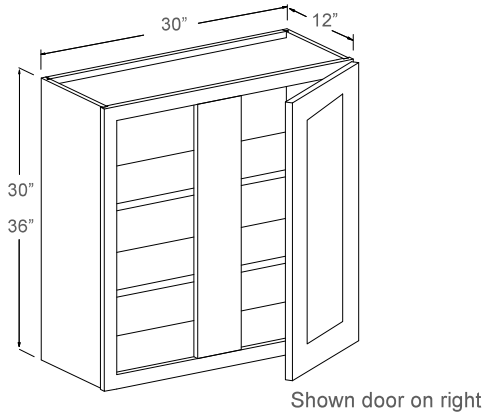
Notes: Glass Shelves And Glass Insert NOT Included



Item Code	Dimensions	Weight
WMDC2442H	24W x 42H x 12D	50 LB
WMDC274215H	27W x 42H x 15D	52 LB

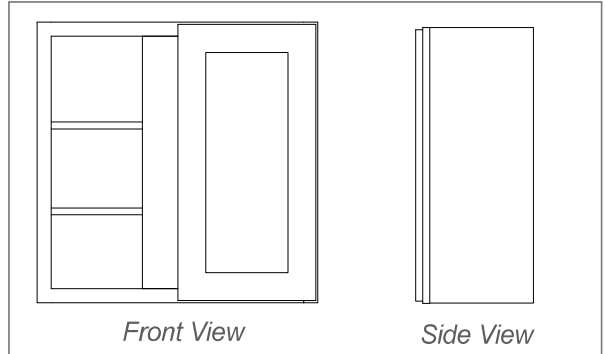
J&K CABINETRY NC

Wall Blind Corner (L/R) - 30"H & 36"H



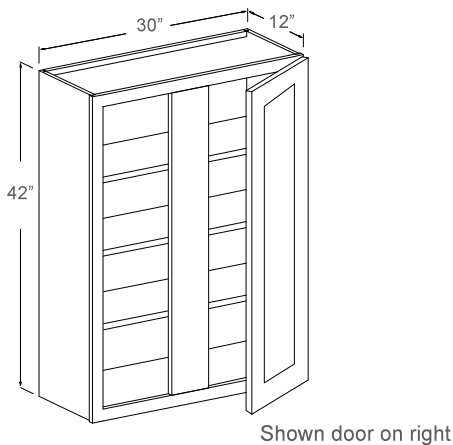
Features

- 1 Door on Left or Right
- 2 Adjustable Shelves



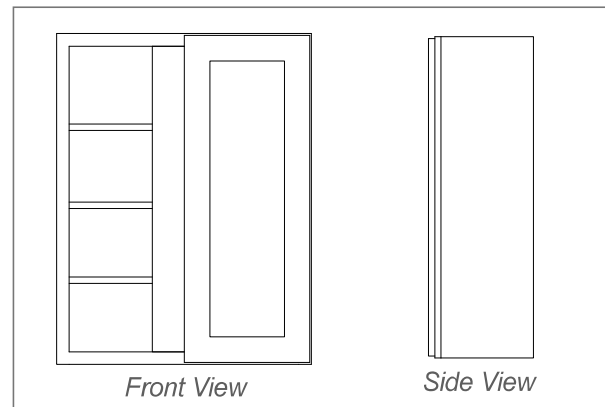
Item Code	Dimensions	Weight
* WCC3030	30W x 30H x 12D	41 LB
* WCC3036	30W x 36H x 12D	47 LB

Wall Blind Corner (L/R) - 42"H



Features

- 1 Door on Left or Right
- 3 Adjustable Shelves



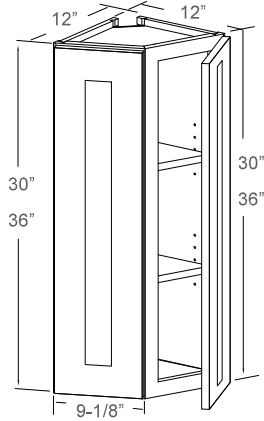
Item Code	Dimensions	Weight
* WCC3042	30W x 42H x 12D	54 LB

PLEASE CALL FIRST Availability for a particular product style and color may vary depending on showroom locations. Please check with your local J&K Cabinetry showroom or dealer for current availability before planning your projects.

WALL CABINETS

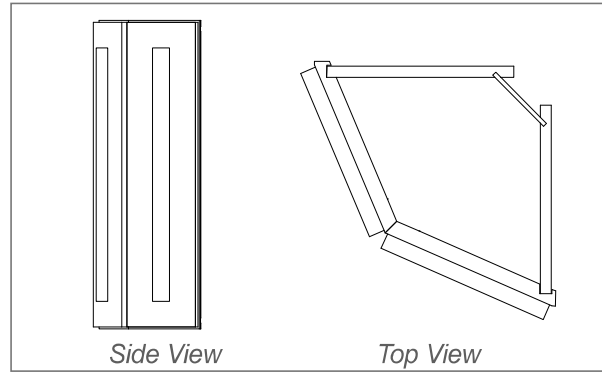


Wall End Corner - 30"H & 36"H



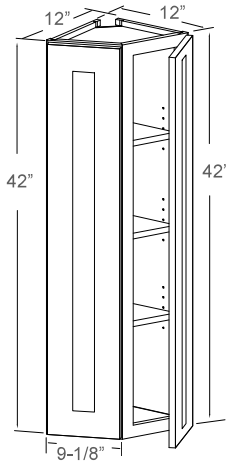
Features

- 2 Doors
- 2 Adjustable Shelves



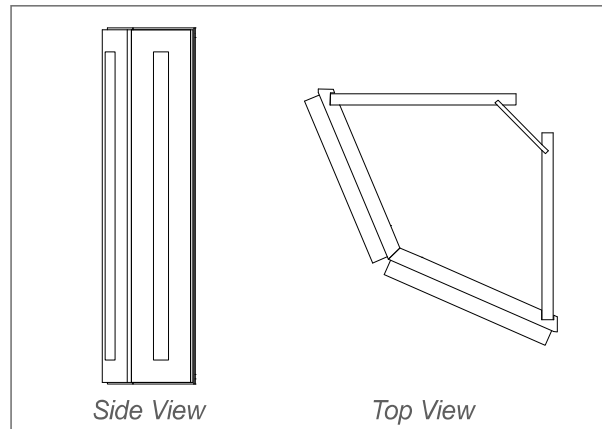
Item Code	Dimensions	Weight
WEC1230	12W x 30H x 12D	23 LB
WEC1236	12W x 36H x 12D	27 LB

Wall End Corner - 42"H



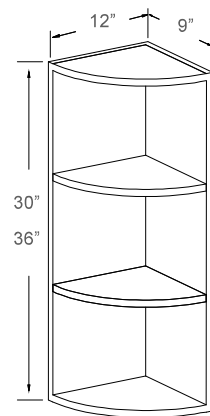
Features

- 2 Doors
- 3 Adjustable Shelves



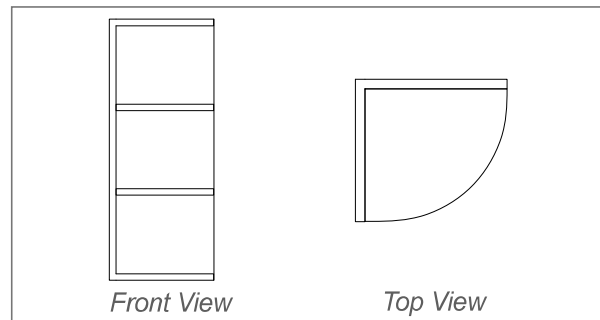
Item Code	Dimensions	Weight
WEC1242	12W x 42H x 12D	30 LB

Wall End Shelf - 30"H & 36"H



Features

- 3 Fixed Shelves
- Matching Color Finish



Item Code	Dimensions	Weight
WES0930	9W x 30H x 12D	16 LB
WES0936	9W x 36H x 12D	17 LB

WALL CABINETS

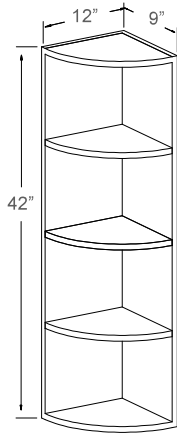
PLEASE CALL FIRST All specifications are subject to change without notice. All images are for reference only. To ensure the highest satisfaction, we strongly recommend you view an actual sample for product style and construction.

WALL CABINETS



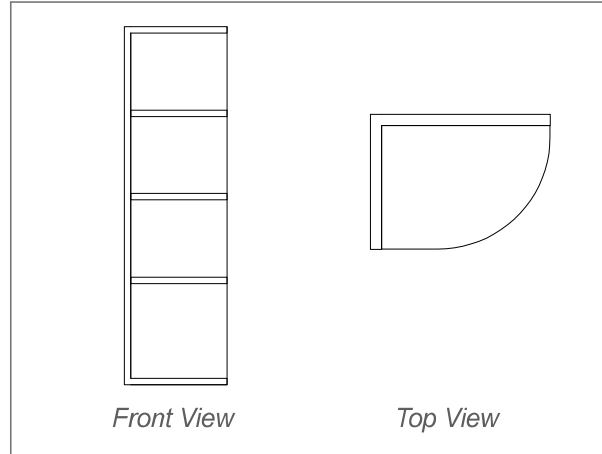
J&K CABINETS NC

Wall End Shelf - 42" H



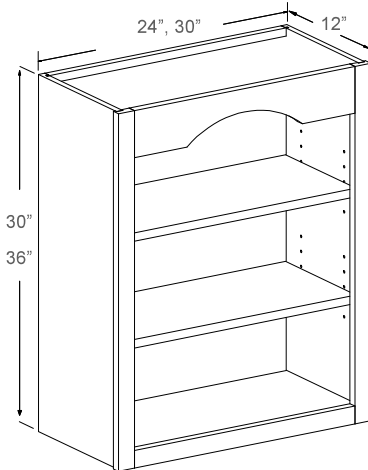
Features

- 4 Fixed Shelves
- Matching Color Finish



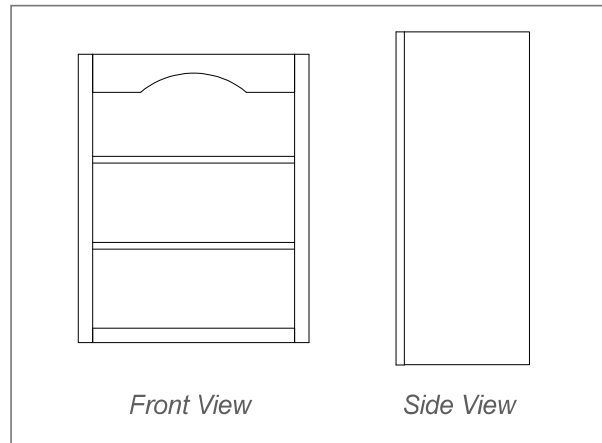
Item Code	Dimensions	Weight
WES0942	9W x 42H x 12D	21 LB

Wall Open Shelf - 30" H & 36" H



Features

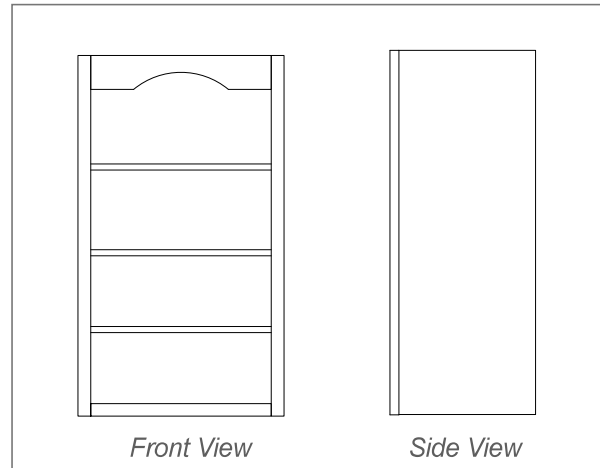
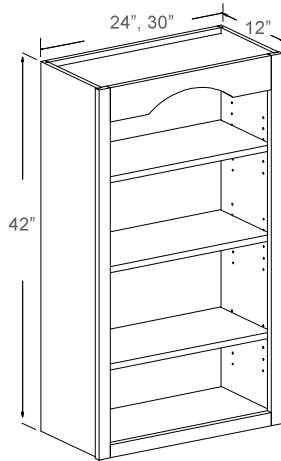
- 2 Adjustable Shelves
- Matching Color Finish



Item Code	Dimensions	Weight
WOS2430	24W x 30H x 12D	28 LB
WOS3030	30W x 30H x 12D	30 LB
WOS2436	24W x 36H x 12D	33 LB
WOS3036	30W x 36H x 12D	38 LB

PLEASE CALL FIRST Availability for a particular product style and color may vary depending on showroom locations. Please check with your local J&K Cabinetry showroom or dealer for current availability before planning your projects.

Wall Open Shelf - 42" H

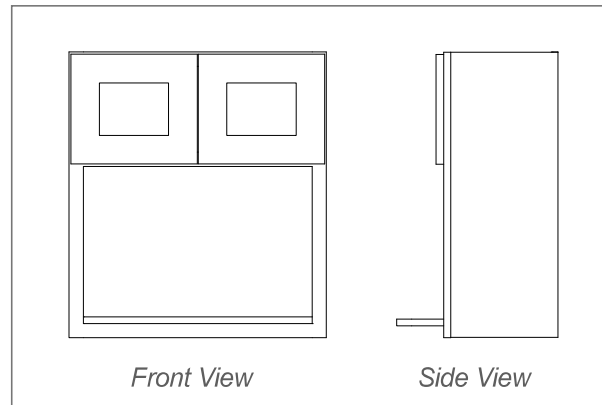
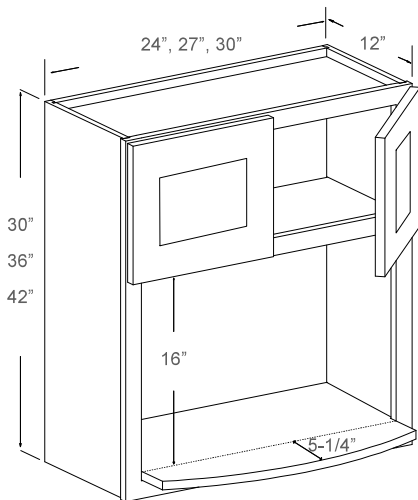


Features

- 3 Adjustable Shelves
- Matching Color Finish

Item Code	Dimensions	Weight
WOS2442	24W x 42H x 12D	38 LB
WOS3042	30W x 42H x 12D	46 LB

Microwave - 30" / 36" / 42" H



Features

- 2 Doors
- No Shelf
- 1 Open Shelf with 16" H (Shelf overhang 5-1/4")
- Matching Color Finish

Item Code	Dimensions	Weight
WBL2430	24W x 30H x 12D	28 LB
WBL2730	27W x 30H x 12D	36 LB
WBL3030	30W x 30H x 12D	42 LB
WBL2436	24W x 36H x 12D	33 LB
WBL2736	27W x 36H x 12D	42 LB
WBL3036	30W x 36H x 12D	46 LB
WBL2442	24W x 42H x 12D	39 LB
WBL2742	27W x 42H x 12D	47 LB
WBL3042	30W x 42H x 12D	51 LB

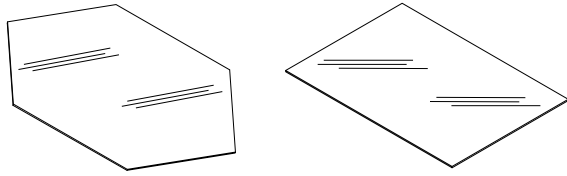
WALL CABINETS

PLEASE CALL FIRST All specifications are subject to change without notice. All images are for reference only. To ensure the highest satisfaction, we strongly recommend you view an actual sample for product style and construction.

GLASS SHELF & INSERT



Glass Shelf - Tempered



Features

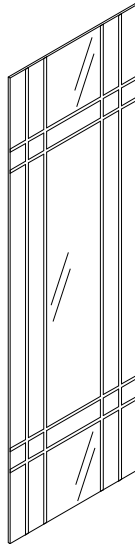
- Use On WM####H Cab.

Notes: Caution When Shipping.

Item Code	Weight
WM1230H	5LB
WM1530H	6 LB
WM1830H	8 LB
WM2130H	8.5 LB
WM2430H	8.5 LB
WM2730H	9 LB
WM3030H	9.5 LB
GS24	10 LB
GS27	12 LB

J&K CABINETRY NC

Glass Insert - Tempered - Grid Pattern



Grid Pattern

Features

- Use On WM####H
- WM24##H & WM27##H Cab. Need Two Glass Inserts

Item Code	Weight
WM1230G	5 LB
WM1236G	5 LB
WM1242G	5 LB
WM1530G	5 LB
WM1536G	5 LB
WM1542G	5 LB
WM1830G	5 LB
WM1836G	5 LB
WM1842G	5 LB
WM2130G	5 LB
WM2136G	5 LB
WM2142G	5 LB
WM2430G	5 LB
WM2436G	5 LB
WM2442G	5 LB
WM2730G	5 LB
WM2736G	5 LB
WM2742G	5 LB

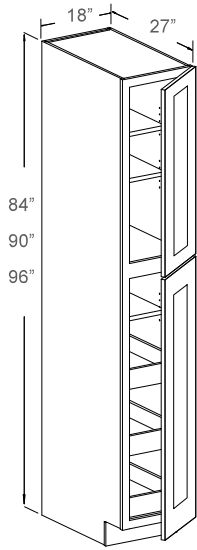
GLASS SHELF & INSERT

PLEASE CALL FIRST Availability for a particular product style and color may vary depending on showroom locations. Please check with your local J&K Cabinetry showroom or dealer for current availability before planning your projects.

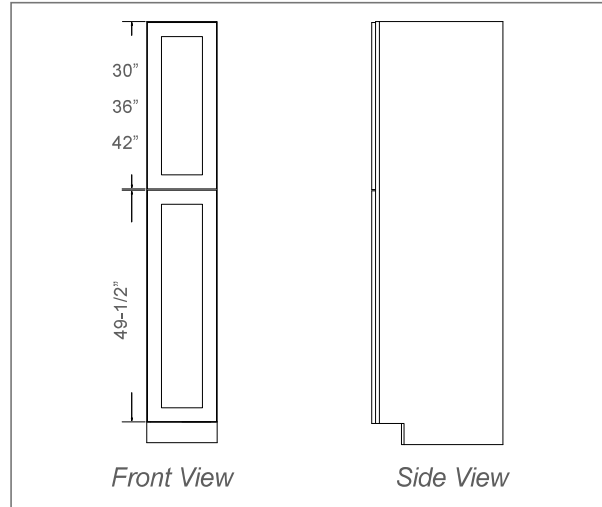
PANTRY & OVEN CABINETS



Pantry Cabinet - 84"/ 90"/ 96"H

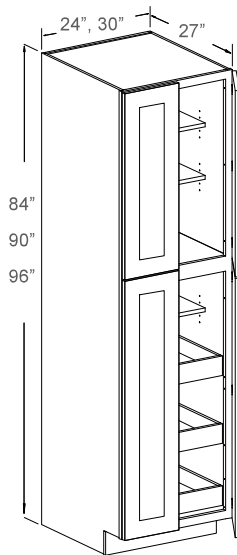


Notes: 3 Adjustable Top Shelves In 96"H Cabinet.



Item Code	Dimensions	Weight
WP188427	18W x 84H x 27D	142 LB
WP189027	18W x 90H x 27D	149 LB
WP189627	18W x 96H x 27D	155 LB

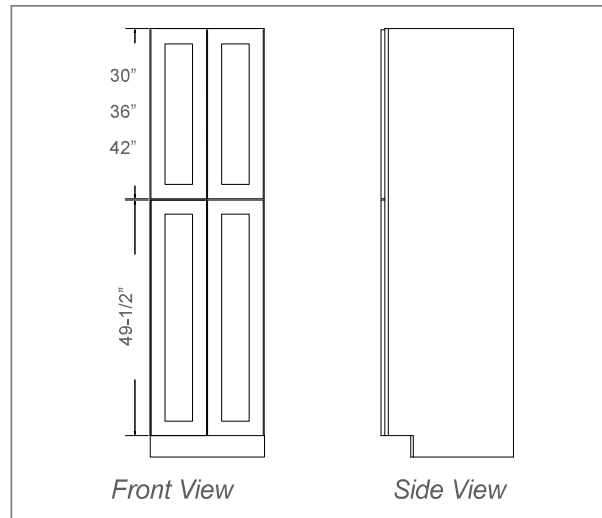
Pantry Cabinet - 84"/ 90"/ 96"H



Features

- 4 Doors
- 2 Adjustable Top Shelves
- 1 Adjustable Middle Shelf
- 3 Bottom Roll-Out Trays

Notes: 3 Adjustable Top Shelves In 96"H Cabinet.



Item Code	Dimensions	Weight
WP248427	24W x 84H x 27D	176 LB
WP249027	24W x 90H x 27D	184 LB
WP309027	30W x 90H x 27D	211 LB
WP249627	24W x 96H x 27D	190 LB
WP309627	30W x 96H x 27D	190 LB

PANTRY & OVEN CABINETS

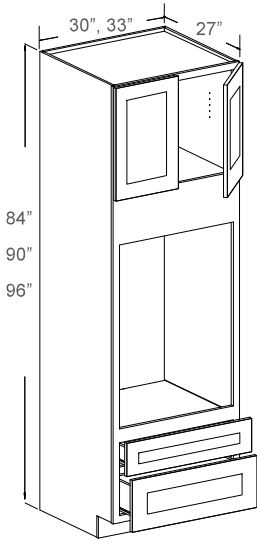
PLEASE CALL FIRST All specifications are subject to change without notice. All images are for reference only. To ensure the highest satisfaction, we strongly recommend you view an actual sample for product style and construction.

PANTRY & OVEN CABINETS



J&K CABINETRY NC

Tall Oven Cabinet - 84"/90"/96"H



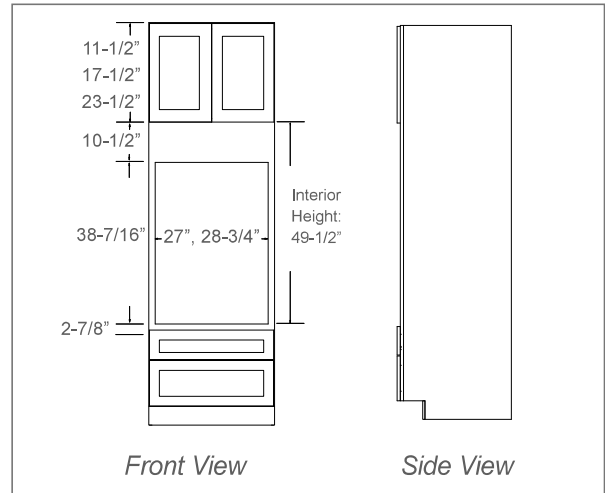
Features

- 2 Doors
- No Shelf
- 1 Large Open Shelf
38-7/16"H
- 1 Small Bottom Drawer
- 1 Large Bottom Drawer

Style:
1-1/2"W on 30" Cab
2-1/8"W on 33" Cab

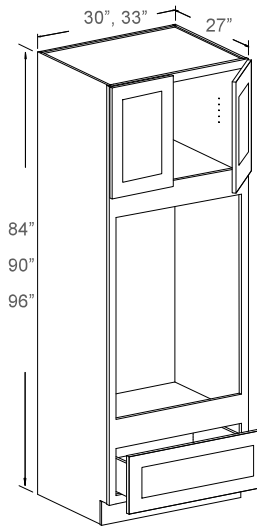
Notes:
1 Adjustable
Top Shelf
In 96"H Cabinet

K10, M01, A7, K8, K3, J5, H9, S1, S8		
30" Cab	27"W X 38-7/16"H	
33" Cab	28-3/4"W X 38-7/16"H	
Drawers		
	Upper	Lower
K10, K3, K8, A7, M01	6"H	11-3/8"H
J5, S8, S5, S1, H9	7"H	10-7/8"H



Item Code	Dimensions	Weight
OC308427	30W x 84H x 27D	160 LB
OC338427	33W x 84H x 27D	170 LB
OC309027	30W x 90H x 27D	170 LB
OC339027	33W x 90H x 27D	182 LB
OC309627	30W x 96H x 27D	182 LB
OC339627	33W x 96H x 27D	192 LB

Tall Oven Cabinet - 84"/90"/96"H

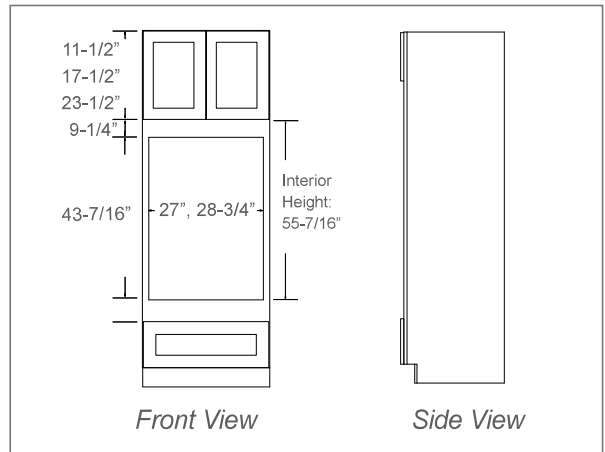


Features

- 2 Doors
- No Shelf
- 1 Large Open Shelf
43-7/16"H
- 1 Large Bottom Drawer

Notes:
1 Adjustable
Top Shelf
In 96"H Cabinet

K10, M01, A7, K8, K3		
30" Cab	27"W X 43-7/16"H	
33" Cab	28-3/4"W X 43-7/16"H	
J5, S1, S2, S8, H9		
30" Cab	27"W X 43-7/16"H	
33" Cab	28-3/4"W X 43-7/16"H	
Drawers		
	Upper	Lower
K10, K3, K8, A7, M01	6"H	11-3/8"H
J5, S8, S5, S1, H9	7"H	10-7/8"H



Item Code	Dimensions	Weight
OC308427WO	30W x 84H x 27D	132 LB
* OC338427WO	33W x 84H x 27D	142 LB
OC309027WO	30W x 90H x 27D	145 LB
OC339027WO	33W x 90H x 27D	155 LB
OC309627WO	30W x 96H x 27D	158 LB
OC339627WO	33W x 96H x 27D	169 LB

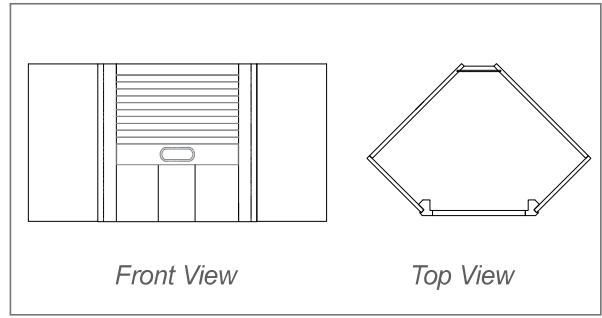
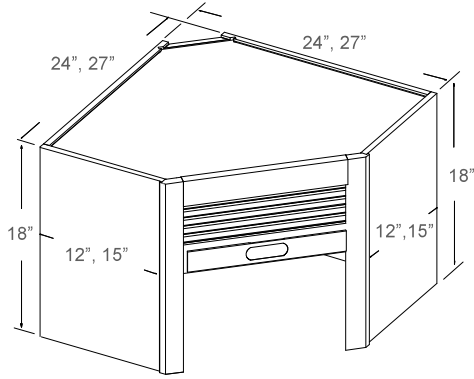
PLEASE CALL FIRST Availability for a particular product style and color may vary depending on showroom locations. Please check with your local J&K Cabinetry showroom or dealer for current availability before planning your projects.

STORAGE & ORGANIZATION



STORAGE & ORGANIZATION

Appliance Garage



Features

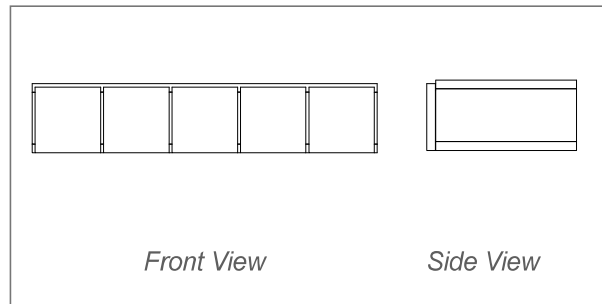
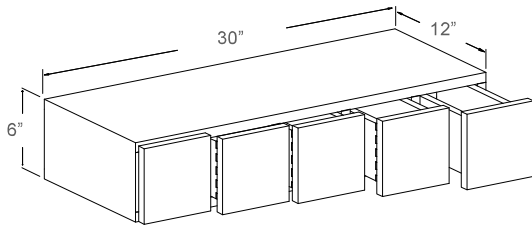
- 1 Roll-Up Door
- No Shelf

Notes: Use It With Wall Diagonal Cab. Install It After Countertop Is Installed.

NOT Available For E1, E2 : AG2418, AG2718

Item Code	Dimensions	Weight
AG2418	24W x 18H x 12D	28 LB
AG2718	27W x 18H x 15D	31 LB

Wall Spice Drawer Cabinet



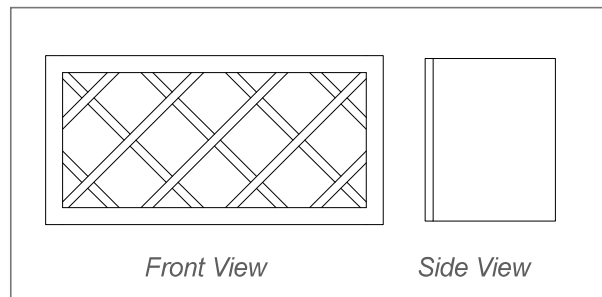
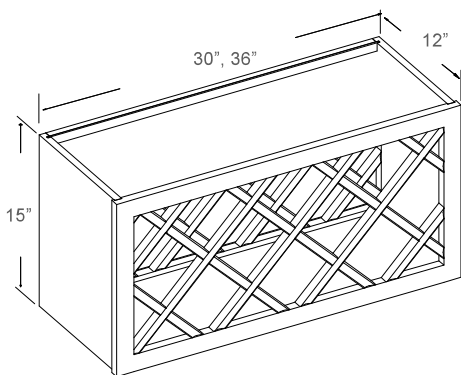
Features

- 5 Square Drawers: 5-3/4"W x 5-1/2"H (Each)

Notes: No Glides.

Item Code	Dimensions	Weight
WWRC6	30W x 6H x 12D	33 LB

Wine Rack



Features

- 10 Compartments in 30"W
- 14 Compartments in 36"W
- Matching Color Finish

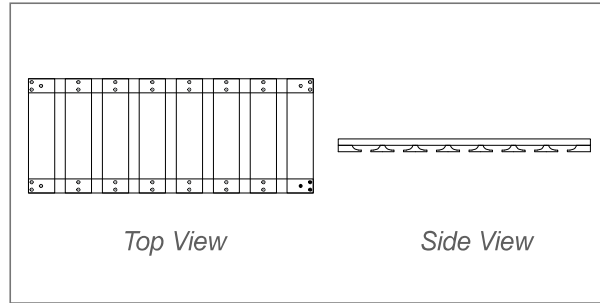
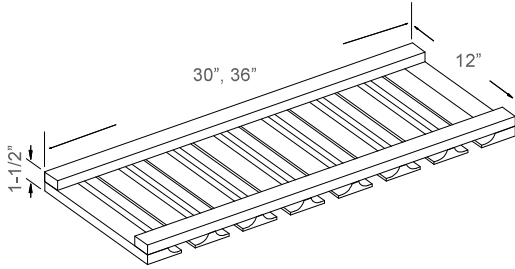
Item Code	Dimensions	Weight
30WR	30W x 15H x 12D	22 LB
36WR	36W x 15H x 12D	25 LB

PLEASE CALL FIRST All specifications are subject to change without notice. All images are for reference only. To ensure the highest satisfaction, we strongly recommend you view an actual sample for product style and construction.

STORAGE & ORGANIZATION



Glass Rack



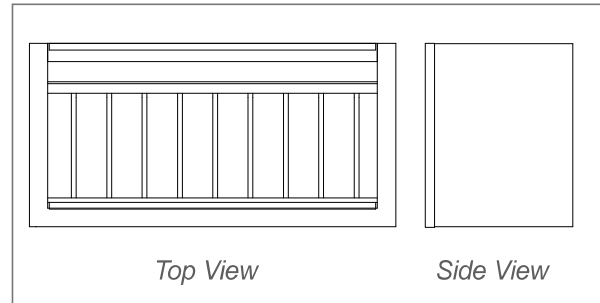
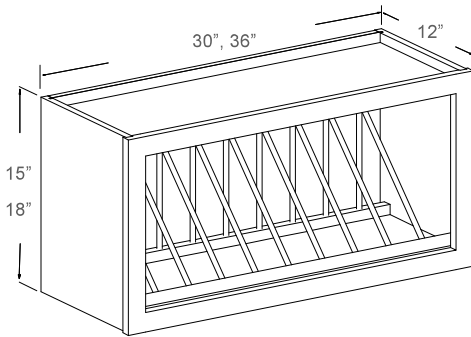
Features

- 7 Rail Openings in 30"W
- 9 Rail Openings in 36"W
- Matching Color Finish

Item Code	Dimensions	Weight
30GR	30W x 1-1/2H x 12D	18 LB
36GR	36W x 1-1/2H x 12D	22 LB

J&K CABINETS NC

Plate Rack

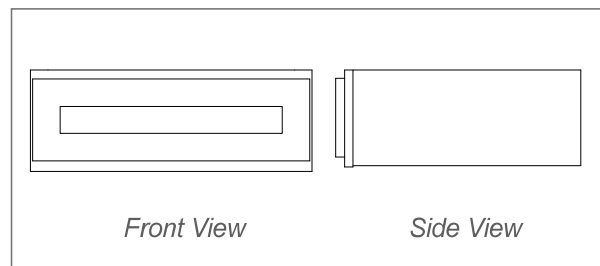
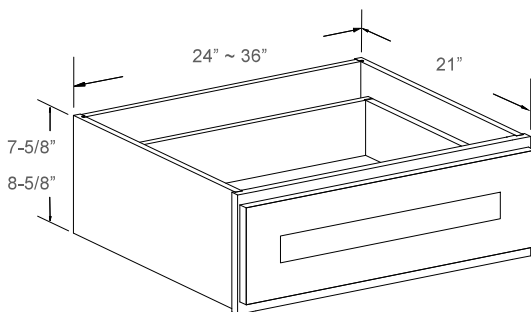


Features

- 10 Plate Slots in 30"W
- 12 Plate Slots in 36"W
- 15"H Opening in 18"H
- Matching Color Finish

Item Code	Dimensions	Weight
WCD3018	30W x 18H x 12D	22 LB
WCD3618	36W x 18H x 12D	24 LB

Knee Drawer



Features

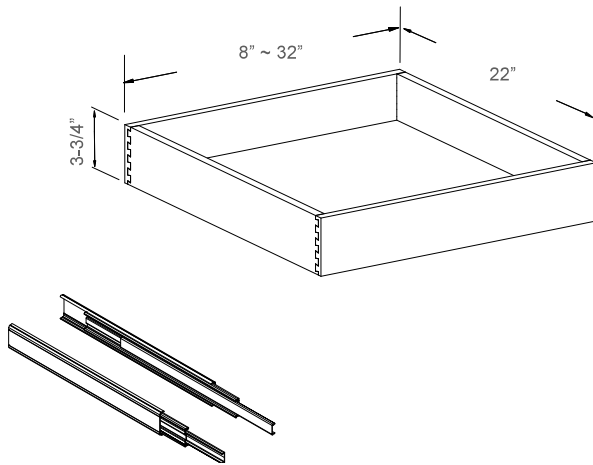
- 1 Drawer

Door style	Drawer Height
K10, K3, K8, A7, M01	6"
J5, S8, S5, S1, H9, E1, E2	7"

Item Code	Dimensions	Weight
FD24	24W x 21D	26 LB
FD27	27W x 21D	29 LB
FD30	30W x 21D	32 LB
FD36	36W x 21D	36 LB

PLEASE CALL FIRST Availability for a particular product style and color may vary depending on showroom locations. Please check with your local J&K Cabinetry showroom or dealer for current availability before planning your projects.

Roll-Out Tray



Features

- Clear Coat Finish
- 1 Pair Of Ball Bearing Soft-Close Side Glides

*Notes: For 24" Deep Cabinet only.
"24" Glide Sold Separately for 27" Deep Pantry.*

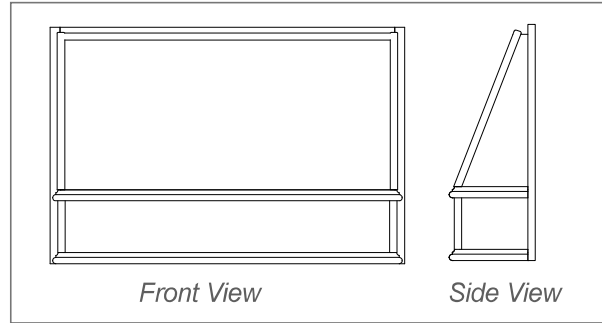
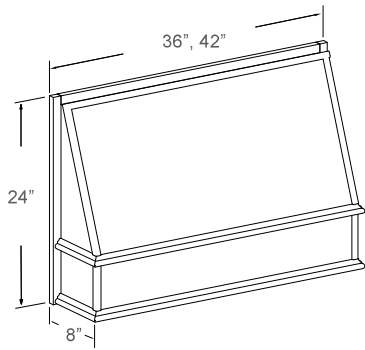
Item Code	Dimensions	Weight
RD12	8W x 3-3/4H x 22D	49 LB
RD15	11W x 3-3/4H x 22D	53 LB
RD18	14W x 3-3/4H x 22D	58 LB
RD21	17W x 3-3/4H x 22D	62 LB
RD24	20W x 3-3/4H x 22D	65 LB
RD27	23W x 3-3/4H x 22D	69 LB
RD30	26W x 3-3/4H x 22D	75 LB
RD33	29W x 3-3/4H x 22D	79 LB
RD36	32W x 3-3/4H x 22D	82 LB

PLEASE CALL FIRST All specifications are subject to change without notice. All images are for reference only. To ensure the highest satisfaction, we strongly recommend you view an actual sample for product style and construction.

HOODS & SPECIALTY CABINETS



Range Wood Hood



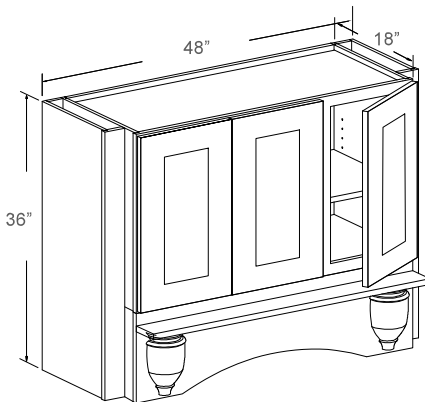
Features

- RHE3624 - Inside Dimensions: 32.5W x 7.5H x 7.5D
 - RHE4224 - Inside Dimensions: 38.5W x 7.5H x 7.5D
- NOT Available For E1, E2 : RHE3624, RHE4224*

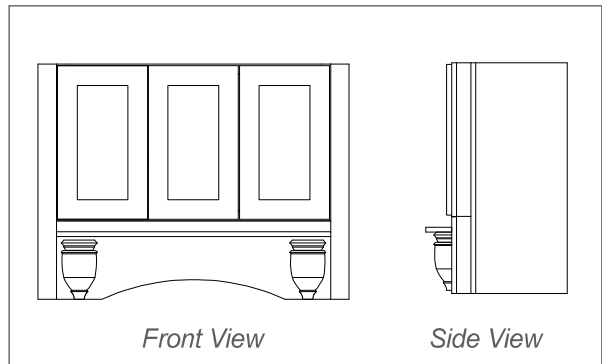
Item Code	Dimensions	Weight
RHE3624	36W x 24H x 8D	20 LB
* RHE4224	42W x 24H x 8D	22 LB

J&K CABINETRY NC

Hearth Style Hood Combo



* Call For Availability



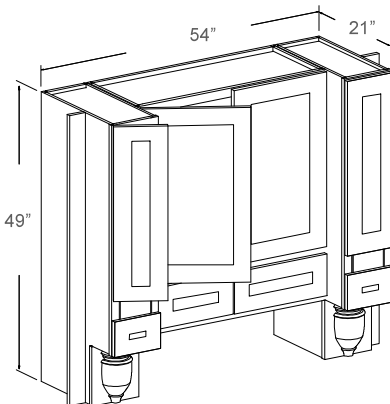
Features

Includes Items & Quantities:

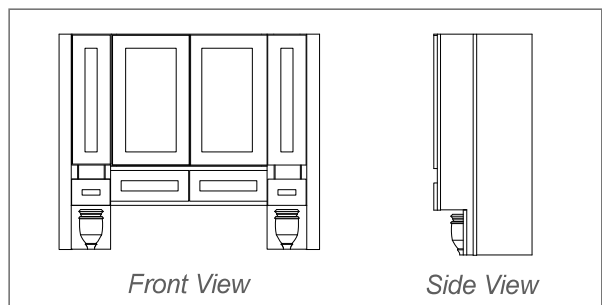
- W422418 (1)
- WF442 (1)
- DER36F (2)
- RPV42-12 (1)
- LC9 (2)

Item Code	Dimensions	Weight
* RHS483618	48W x 36H x 18D	104 LB

Hearth Style Hood Combo



* Call For Availability



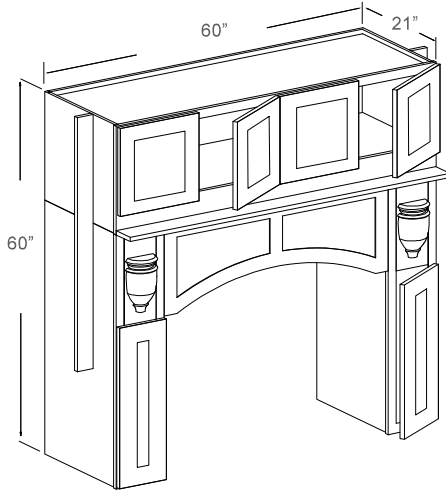
Features

Includes Items & Quantities:

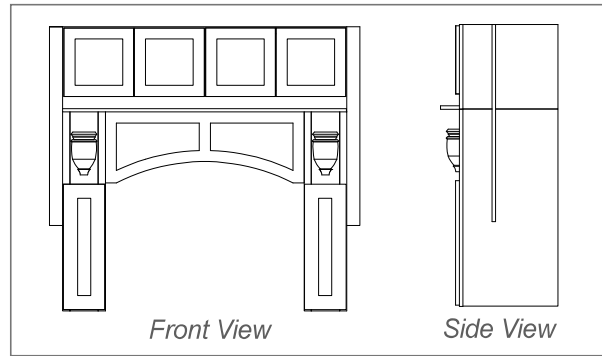
- RHS094921 (2)
- WF349 (2)
- D18 (2)
- W363015 (1)
- WF936 (1)
- LC9 (2)

Item Code	Dimensions	Weight
* RHS5449	54W x 49H x 21D	*

PLEASE CALL FIRST Availability for a particular product style and color may vary depending on showroom locations. Please check with your local J&K Cabinetry showroom or dealer for current availability before planning your projects.



* Call For Availability



Item Code	Dimensions	Weight
* RHS6060	60W x 60H x 21D	*

Features

Includes Items & Quantities:

- RHS094221 (2)
- W601821 (1)
- WF342 (2)
- WF460 (1)
- RPV42-A (1)
- LC12 (2)
- BP6020-1/4 (2)

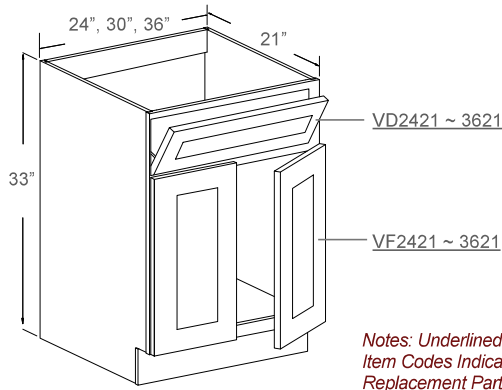
NOT Available For E1, E2 : RHS6060

PLEASE CALL FIRST All specifications are subject to change without notice. All images are for reference only. To ensure the highest satisfaction, we strongly recommend you view an actual sample for product style and construction.

BATHROOM VANITIES



Vanity Sink Cabinet

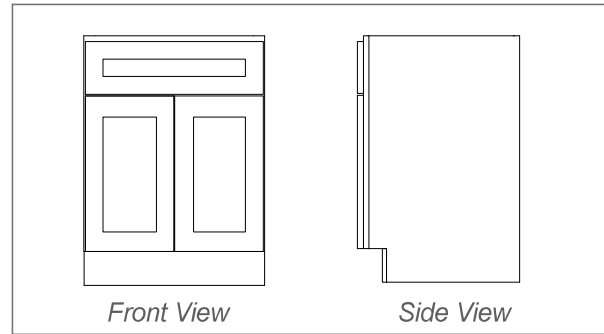


Notes: Underlined Item Codes Indicate Replacement Parts.

Features

- 1 Tilt-Out Drawer With Tray
- 2 Doors
- No Shelf

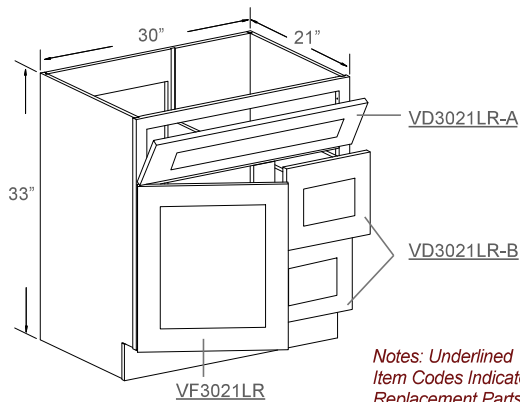
Notes: Back Panel Open



Item Code	Dimensions	Weight
FA2421	24W x 33H x 21D	39 LB
FA3021	30W x 33H x 21D	45 LB
FA3621	36W x 33H x 21D	51 LB

J&K CABINETRY NC

Vanity Sink Cabinet

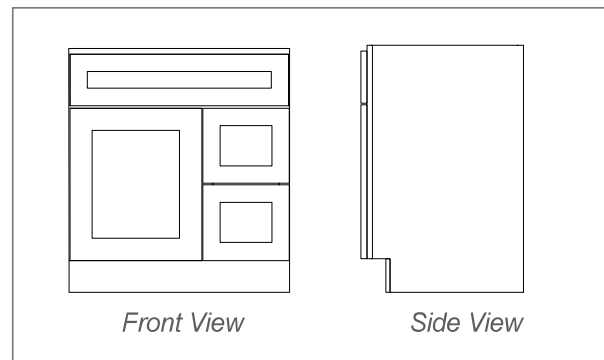


Notes: Underlined Item Codes Indicate Replacement Parts.

Features

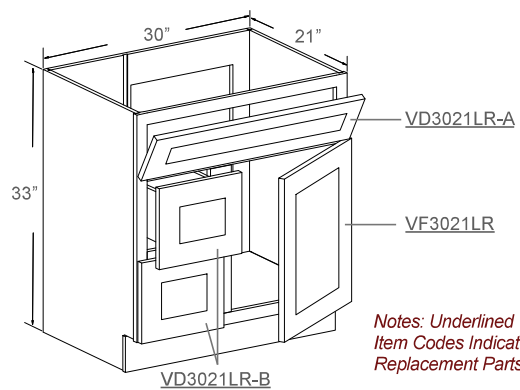
- 1 Tilt-Out Drawer With Tray
- 1 Door on Left
- 2 Drawers on Right
- No Shelf

Notes: Back Panel Open On Left



Item Code	Dimensions	Weight
FA3021DL	30W x 33H x 21D	75 LB

Vanity Sink Cabinet

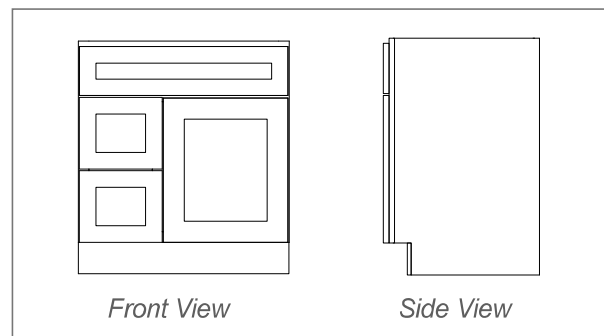


Notes: Underlined Item Codes Indicate Replacement Parts.

Features

- 1 Tilt-Out Drawer With Tray
- 2 Drawers on Left
- 1 Door on Right
- No Shelf

Notes: Back Panel Open On Right



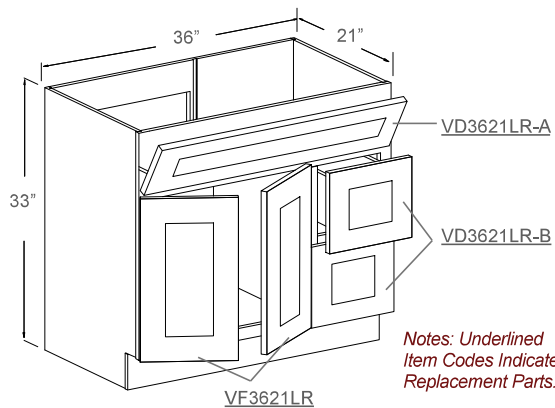
Item Code	Dimensions	Weight
FA3021DR	30W x 33H x 21D	75 LB

PLEASE CALL FIRST Availability for a particular product style and color may vary depending on showroom locations. Please check with your local J&K Cabinetry showroom or dealer for current availability before planning your projects.

BATHROOM VANITIES



Vanity Sink Cabinet

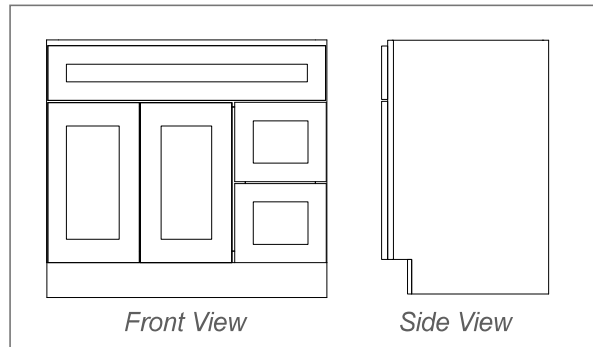


Notes: Underlined Item Codes Indicate Replacement Parts.

Features

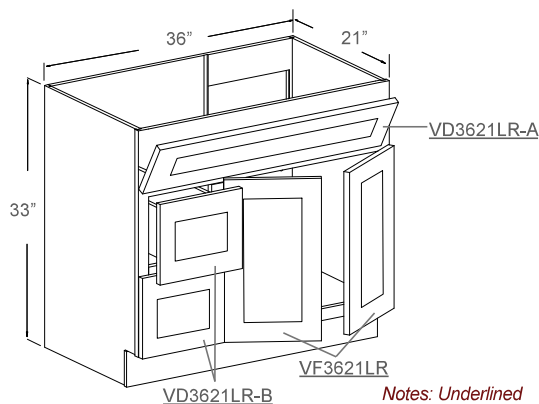
- 1 Tilt-Out Drawer With Tray
- 2 Drawers on Right
- 2 Doors on Left
- No Shelf

Notes: Back Panel Open On Left



Item Code	Dimensions	Weight
FA3621DL	36W x 33H x 21D	80 LB

Vanity Sink Cabinet

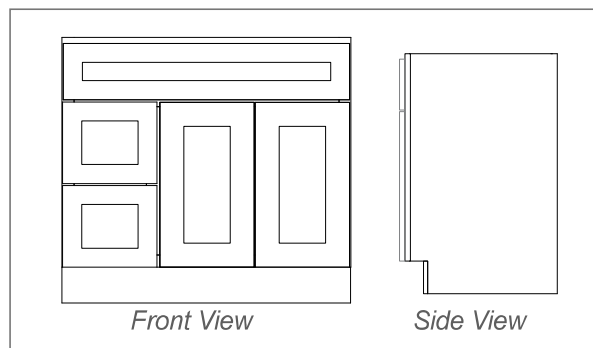


Notes: Underlined Item Codes Indicate Replacement Parts.

Features

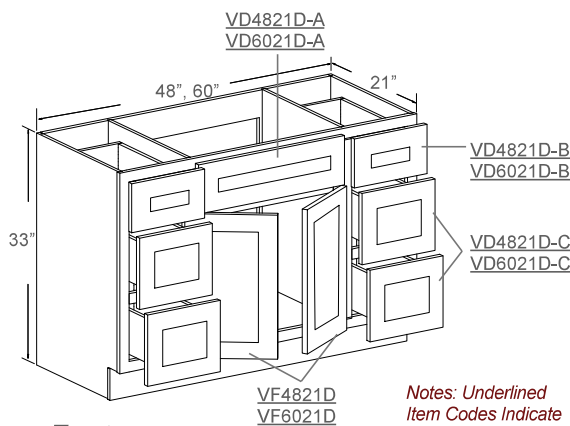
- 1 Tilt-Out Drawer With Tray
- 2 Drawers on Left
- 2 Doors on Right
- No Shelf

Notes: Back Panel Open On Right



Item Code	Dimensions	Weight
FA3621DR	36W x 33H x 21D	80 LB

Vanity Single-Sink Combo

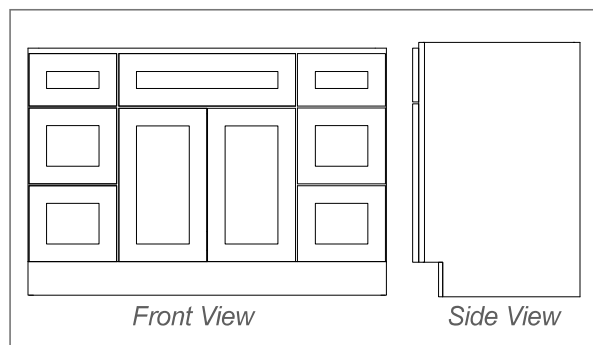


Notes: Underlined Item Codes Indicate Replacement Parts.

Features

- 1 Tilt-Out Drawer With Tray
- 6 Drawers
- 2 Doors
- No Shelf

Notes: Back Panel Open In The Middle



Item Code	Dimensions	Weight
* FA4821D	48W x 33H x 21D	140 LB
* FA6021D	60W x 33H x 21D	154 LB

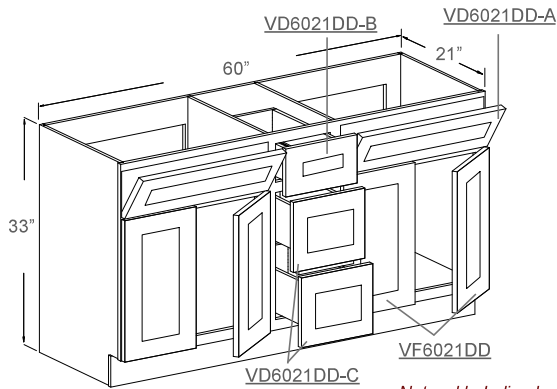
BATHROOM VANITIES

PLEASE CALL FIRST All specifications are subject to change without notice. All images are for reference only. To ensure the highest satisfaction, we strongly recommend you view an actual sample for product style and construction.

BATHROOM VANITIES



Vanity Double-Sink Combo

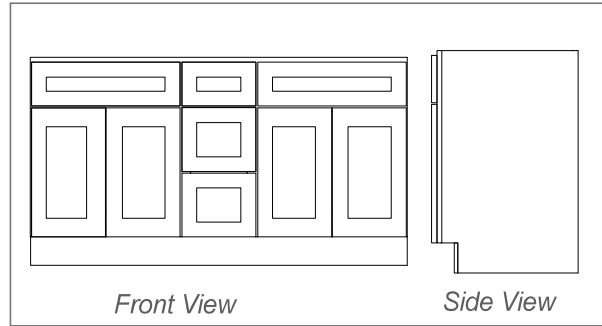


Features

- 2 Tilt-Out Drawers With Trays
- 3 Drawers
- 4 Doors
- No Shelf

Notes: Back Panel Open On Left And Right

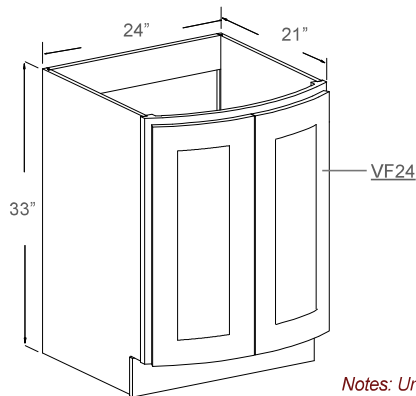
Notes: Underlined Item Codes Indicate Replacement Parts.



Item Code	Dimensions	Weight
* FA6021DD	60W x 33H x 21D	117 LB

J&K CABINETRY NC

Vanity Sink Cabinet Curved Door

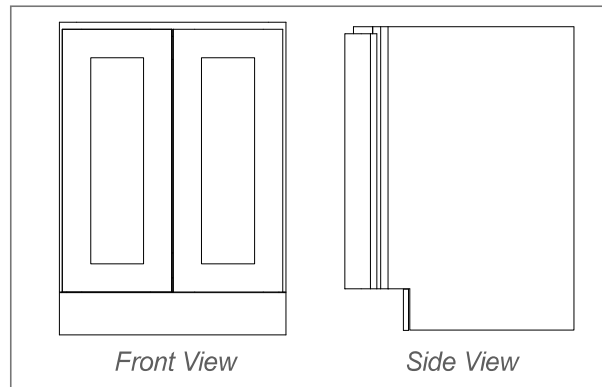


Features

- 2 Curved Doors
- No Shelf

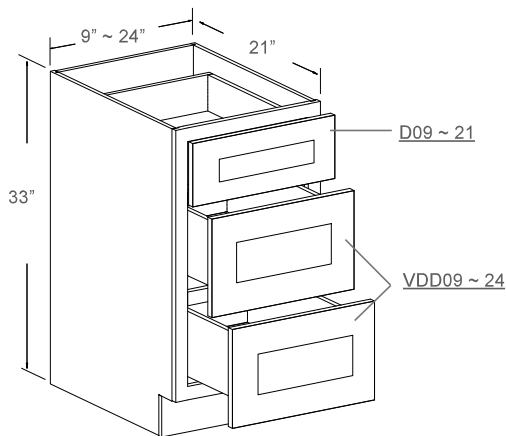
Notes: Back Panel Open
Not Available For E1, E2, S1, S5, S8 : FSVA24

Notes: Underlined Item Codes Indicate Replacement Parts.



Item Code	Dimensions	Weight
* FSVA24	24W x 33H x 21D	35 LB

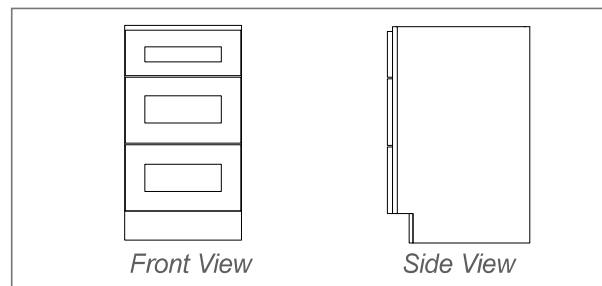
Vanity Drawer Base



Features

- 1 Small Drawer
- 2 Large Drawers

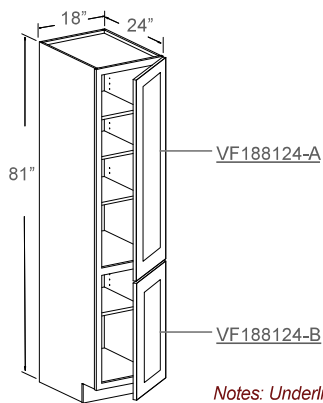
Notes: Underlined Item Codes Indicate Replacement Parts.



Item Code	Dimensions	Weight
SVA09D	9W x 33H x 21D	53 LB
SVA12D	12W x 33H x 21D	60 LB
SVA15D	15W x 33H x 21D	66 LB
SVA18D	18W x 33H x 21D	70 LB
SVA21D	21W x 33H x 21D	75 LB
SVA24D	24W x 33H x 21D	79 LB

PLEASE CALL FIRST Availability for a particular product style and color may vary depending on showroom locations. Please check with your local J&K Cabinetry showroom or dealer for current availability before planning your projects.

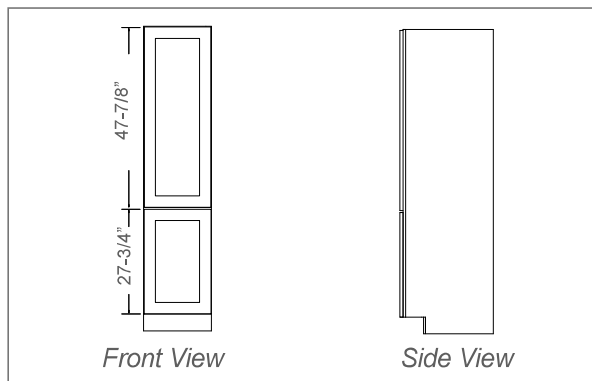
Vanity Linen Cabinet



Features

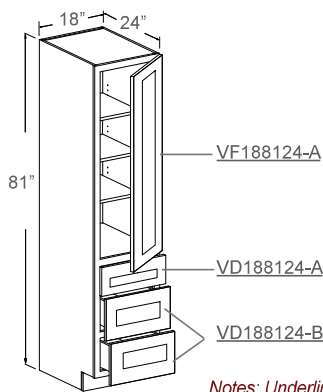
- 2 Doors
- 4 Adjustable Shelves

Notes: Underlined Item Codes Indicate Replacement Parts.



Item Code	Dimensions	Weight
SVA188124P	18W x 81H x 24D	103 LB

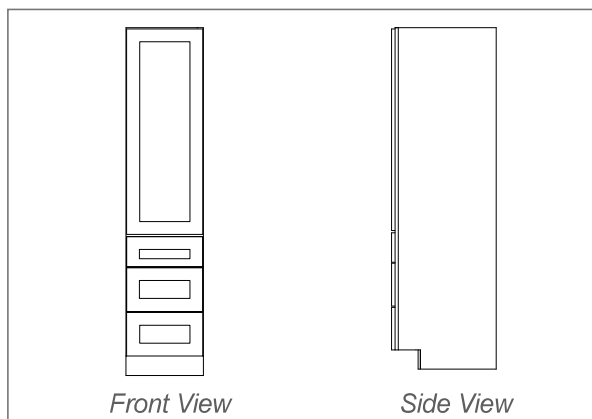
Vanity Drawer Linen Cabinet



Features

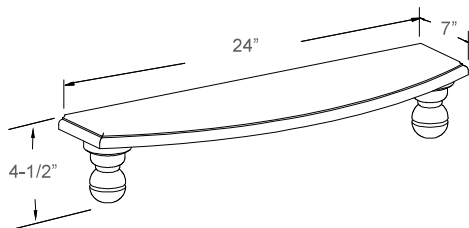
- 1 Door
- 3 Adjustable Shelves
- 1 Small Bottom Drawer
- 2 Large Bottom Drawers

Notes: Underlined Item Codes Indicate Replacement Parts.

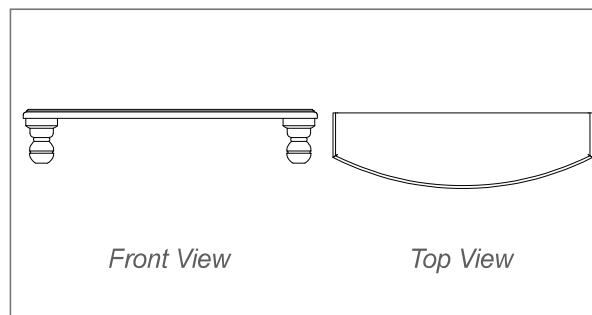


Item Code	Dimensions	Weight
* SVA188124D	18W x 81H x 24D	145 LB

Vanity Decorative Foot

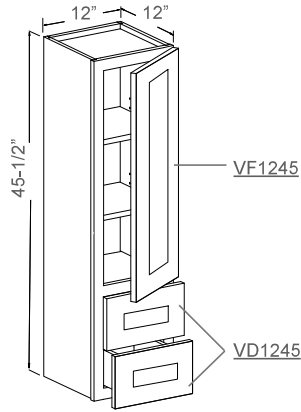


Notes: Use With Vanity Sink Cabinet Curved Door FSVA24 (see Pg.41)



Item Code	Dimensions	Weight
* #24	24W x 4-1/2H x 7D	63 LB

BATHROOM VANITIES

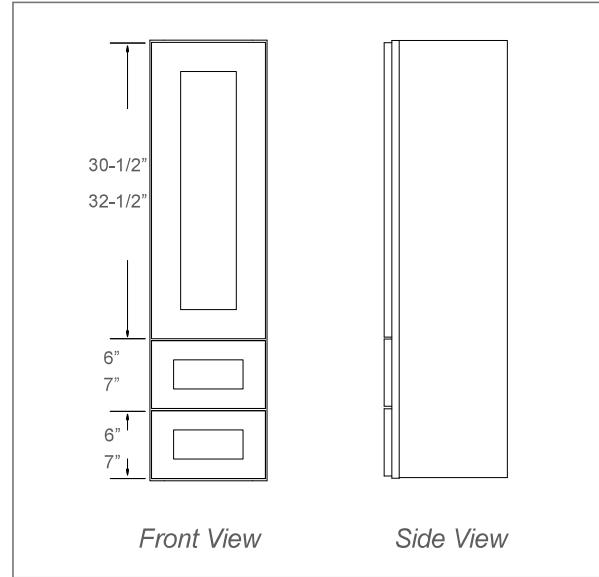


Features

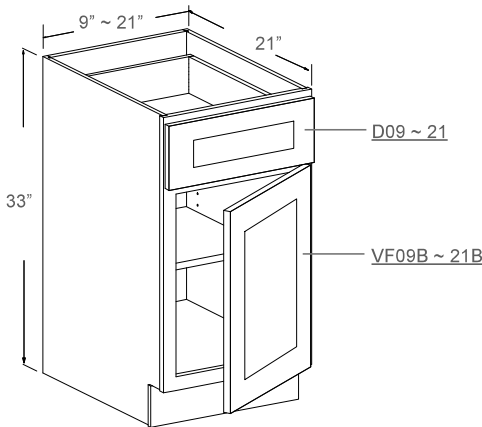
- 1 Door
- 2 Adjustable Shelves
- 2 Small Drawers

Notes: Underlined Item Codes Indicate Replacement Parts.

Door style	Drawer Height
K10, K3, K8, A7, M01	6"
J5, S8, S5, S1, H9, E1, E2	7"



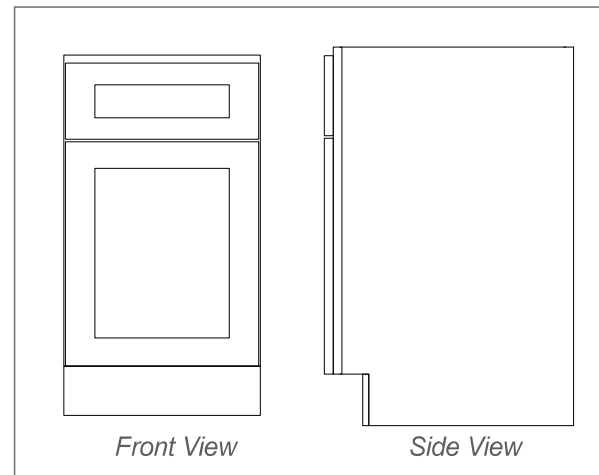
Item Code	Dimensions	Weight
DV1245	12W x 45-1/2H x 12D	42 LB



Features

- 1 Drawer
- 1 Door
- 1 Adjustable Shelf

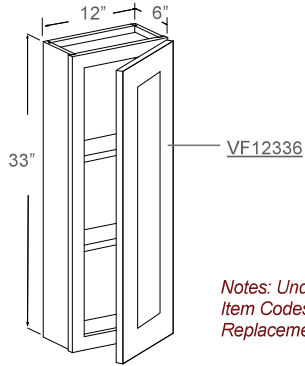
Notes: Underlined Item Codes Indicate Replacement Parts.



Item Code	Dimensions	Weight
* SVA09B	9W x 33H x 21D	36 LB
* SVA12B	12W x 33H x 21D	40 LB
* SVA15B	15W x 33H x 21D	42 LB
* SVA18B	18W x 33H x 21D	47 LB
* SVA21B	21W x 33H x 21D	52 LB

PLEASE CALL FIRST Availability for a particular product style and color may vary depending on showroom locations. Please check with your local J&K Cabinetry showroom or dealer for current availability before planning your projects.

Vanity Medicine Cabinet



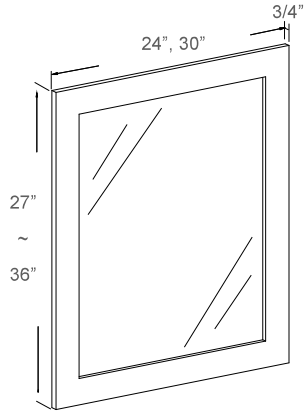
Notes: Underlined Item Codes Indicate Replacement Parts.

Features

- 1 Door
- 2 Adjustable Shelves

Item Code	Dimensions	Weight
<u>VF12336</u>	12W x 33H x 6D	18 LB

Vanity Mirror



Features

- Wooden Frame
- Beveled Edge Mirror (Not Tempered)

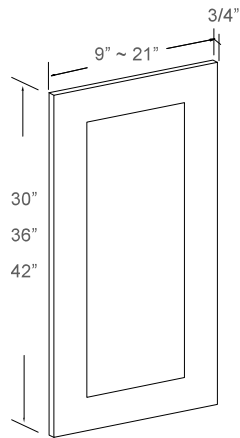
Notes: Hanging Hardware NOT Included

Item Code	Dimensions	Weight
<u>SVAM2427</u>	24W x 27H x 3/4D	15 LB
<u>SVAM3027</u>	30W x 27H x 3/4D	20 LB

BATHROOM VANITIES

PLEASE CALL FIRST All specifications are subject to change without notice. All images are for reference only. To ensure the highest satisfaction, we strongly recommend you view an actual sample for product style and construction.

Replacement Wall Door Panel - 30"/ 36"/ 42"H



Features

- 1 Replacement Door Panel
- Predrilled Hinge Holes On The Back

Notes:

*Replacement For Wall Door Panels In Cabinets:
W0930 ~ 3342 (see Pg.19, 20, 21)*

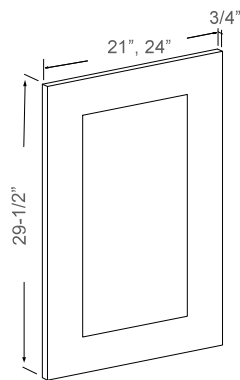
*Replacement For Pantry Top Door Panels In Cabinets:
WP18## ~ 30## (see Pg.32)*

Item Code	Dimensions	Weight
W0930F	9W x 30H x 3/4D	4 LB
W1230F	12W x 30H x 3/4D	5 LB
W1530F	15W x 30H x 3/4D	7 LB
W1830F	18W x 30H x 3/4D	8 LB
W2130F	21W x 30H x 3/4D	9 LB
W2730F	13-1/2W x 30H x 3/4D	6 LB
W3330F	16-1/2W x 30H x 3/4D	7 LB

W0936F	9W x 36H x 3/4D	5 LB
W1236F	12W x 36H x 3/4D	6 LB
W1536F	15W x 36H x 3/4D	7 LB
W1836F	18W x 36H x 3/4D	9 LB
W2136F	21W x 36H x 3/4D	10 LB
W2736F	13-1/2W x 36H x 3/4D	7 LB
W3336F	16-1/2W x 36H x 3/4D	8 LB

W0942F	9W x 42H x 3/4D	5 LB
W1242F	12W x 42H x 3/4D	7 LB
W1542F	15W x 42H x 3/4D	8 LB
W1842F	18W x 42H x 3/4D	9 LB
W2142F	21W x 42H x 3/4D	11 LB
W2742F	13-1/2W x 42H x 3/4D	8 LB
W3342F	16-1/2W x 42H x 3/4D	9 LB

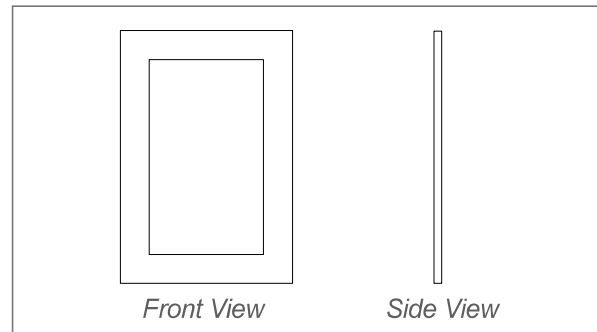
Dummy Door Panel



Features

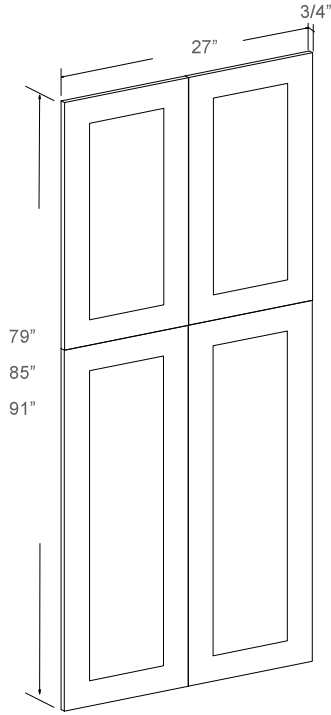
- 1 Dummy Door Panel

Notes: NOT For Replacement



Item Code	Dimensions	Weight
BDD21	21W x 29-1/2H x 3/4D	9 LB
BDD24	24W x 29-1/2H x 3/4D	10 LB

PLEASE CALL FIRST Availability for a particular product style and color may vary depending on showroom locations. Please check with your local J&K Cabinetry showroom or dealer for current availability before planning your projects.



Features

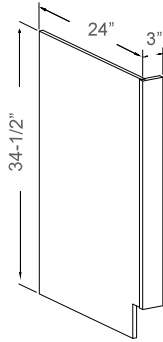
- 1 Dummy Door Panel

Notes: NOT For Replacement

	Item Code	Dimensions	Weight
*	BDD8427	27W x 79H x 3/4D	50 LB
*	BDD8427	27W x 85H x 3/4D	54 LB
*	BDD9627	27W x 91H x 3/4D	57 LB

PLEASE CALL FIRST All specifications are subject to change without notice. All images are for reference only. To ensure the highest satisfaction, we strongly recommend you view an actual sample for product style and construction.

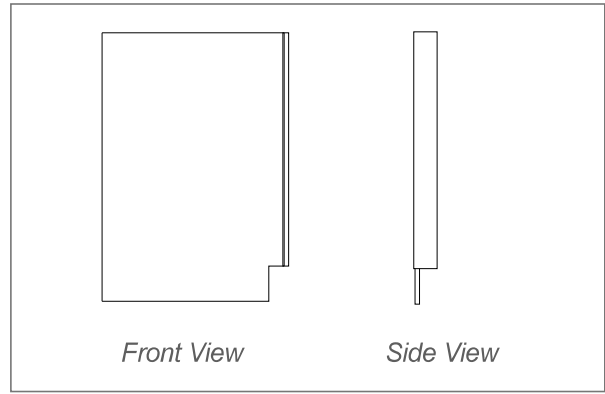
Dishwasher Panel with Return Filler (L/R)



Features

- 3" Return Filler
- 5/8" Thick Panel
- Matching Color on Filler

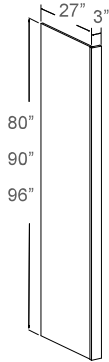
Notes: NOT Assembled & Toe Kick NOT Included



Item Code	Dimensions	Weight
DWR (L/R)	3W x 34-1/2H x 24D	10 LB

J&K CABINETRY NC

Refrigerator Panel with Return Filler

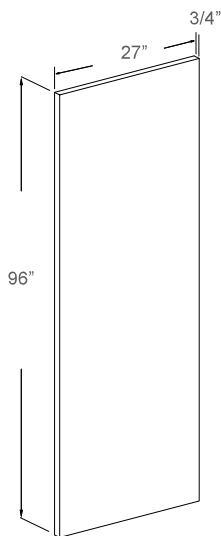


Features

- 3" Return Filler
- 5/8" Thick Panel
- Matching Color on Exterior

Item Code	Dimensions	Weight
* RRP8427	3W x 84H x 27D	37 LB
* RRP9027	3W x 90H x 27D	38 LB
RRP9627	3W x 96H x 27D	40 LB

Refrigerator Panel



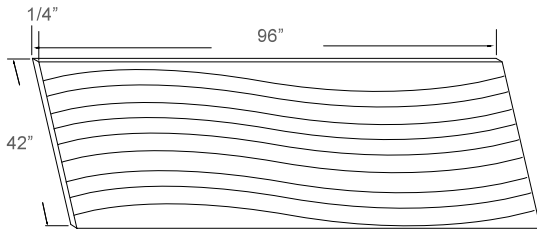
Features

- 3/4" Thick Panel
- 4 Side-Edge Banded
- Matching Color on All Sides & Surfaces

Item Code	Dimensions	Weight
RRP9627*3/4	27W x 96H x 3/4D	50 LB

PLEASE CALL FIRST Availability for a particular product style and color may vary depending on showroom locations. Please check with your local J&K Cabinetry showroom or dealer for current availability before planning your projects.

Finished Skin Panel

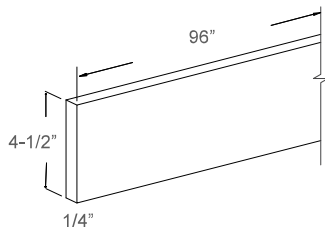


Features

- Long Grain Pattern in 36"H & 48"H Panels
- Matching Color on One Side

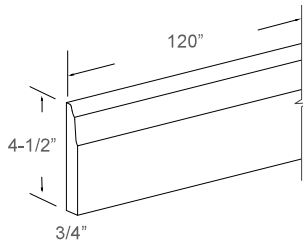
Item Code	Dimensions	Weight
BP9642	96W x 42H x 1/4D	12 LB

Toe Kick



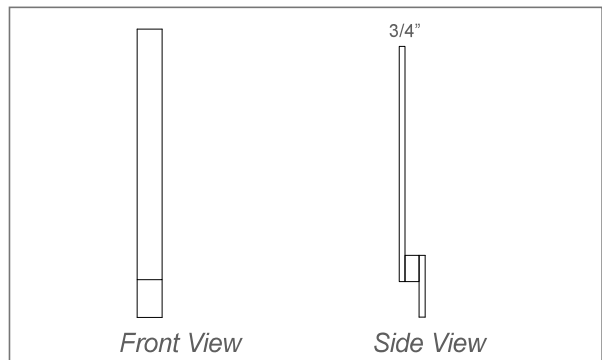
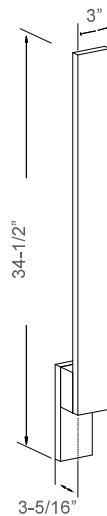
Item Code	Dimensions	Weight
TK8	4-1/2W x 96H x 1/4D	0.8 LB

Base Molding



Item Code	Dimensions	Weight
BM10 - 4-1/2	4-1/2W x 120H x 3/4D	8 LB

Base Filler

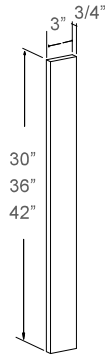


Item Code	Dimensions	Weight
BF3	3W x 34-1/2H x 3/4D	2 LB
BF6	3W x 34-1/2H x 3/4D	4 LB

PANELS & FILLERS

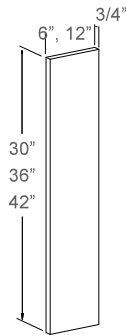
PLEASE CALL FIRST All specifications are subject to change without notice. All images are for reference only. To ensure the highest satisfaction, we strongly recommend you view an actual sample for product style and construction.

Wall Filler



Item Code	Dimensions	Weight
WF330	3W x 30H x 3/4D	1 LB
WF336	3W x 36H x 3/4D	2 LB
WF342	3W x 42H x 3/4D	2 LB

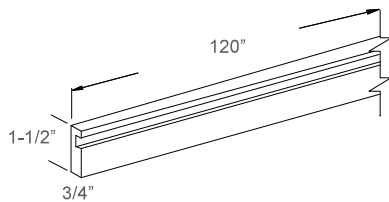
Wall Filler



NOT Available For E1, E2 : WF1236

Item Code	Dimensions	Weight
WF630	6W x 30H x 3/4D	3 LB
WF636	6W x 30H x 3/4D	3 LB
* WF1236	12W x 36H x 3/4D	6 LB
WF642	6W x 42H x 3/4D	5 LB

Tall Filler

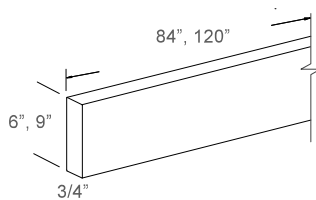


Notes:

Dadoed. Good for Refridgerator Return use and Semi-custom cabinets.

Item Code	Dimensions	Weight
CM34-1-1/2	1-1/2W x 120H x 3/4D	3 LB

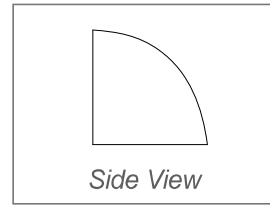
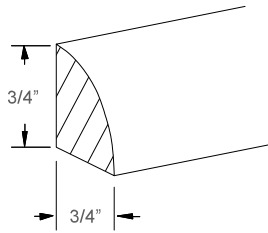
Tall Filler



Item Code	Dimensions	Weight
CM34-6	6W x 120H x 3/4D	4 LB
CM34-9	9W x 84H x 3/4D	14 LB

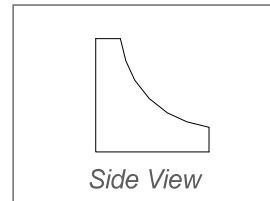
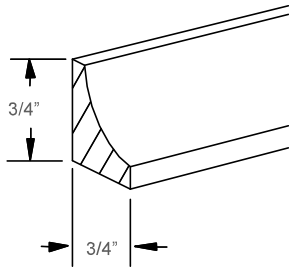
PLEASE CALL FIRST Availability for a particular product style and color may vary depending on showroom locations. Please check with your local J&K Cabinetry showroom or dealer for current availability before planning your projects.

Quarter Round



Item Code	Dimensions	Weight
QRM10	3/4H x 3/4D x 120L	1 LB

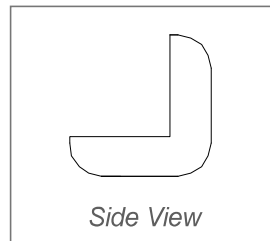
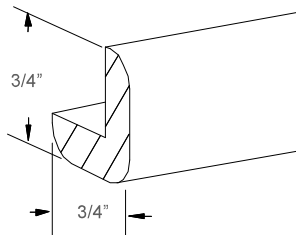
Incurved Corner



* Call For Availability

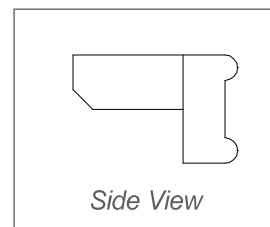
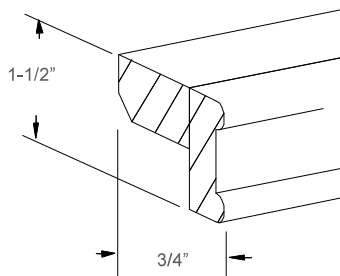
Item Code	Dimensions	Weight
* ICM8	3/4H x 3/4D x 96L	0.7 LB

Outside Corner



Item Code	Dimensions	Weight
OCM8	3/4H x 3/4D x 96L	0.7 LB

Traditional Light Rail

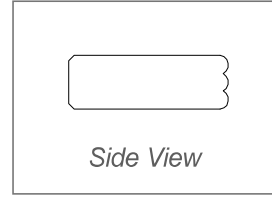
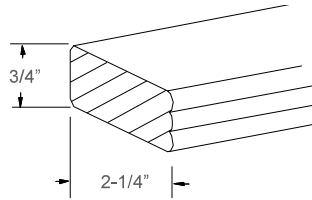


Item Code	Dimensions	Weight
TLR10-A	1-1/2H x 3/4D x 120L	5 LB

MOLDINGS

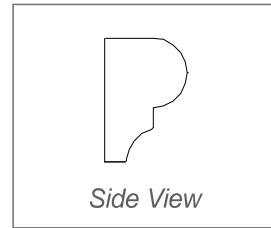
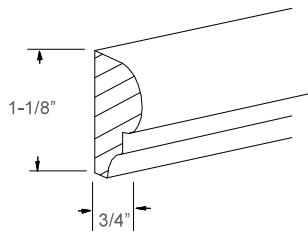
PLEASE CALL FIRST All specifications are subject to change without notice. All images are for reference only. To ensure the highest satisfaction, we strongly recommend you view an actual sample for product style and construction.

Wide Beaded



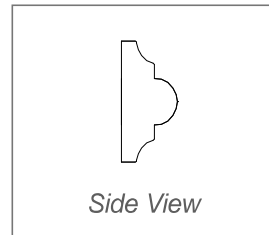
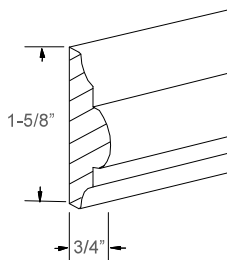
Item Code	Dimensions	Weight
WPM10	2-1/4H x 3/4D x 120L	5 LB

Chair Rail



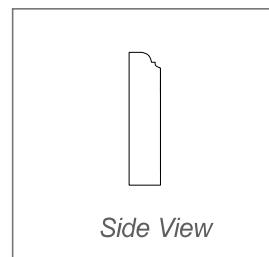
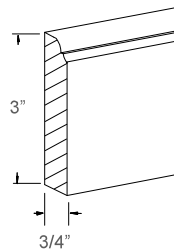
Item Code	Dimensions	Weight
CR10	1-1/8H x 3/4D x 120L	2 LB

Full Chair Rail



Item Code	Dimensions	Weight
FSM10	1-5/8H x 3/4D x 120L	2 LB

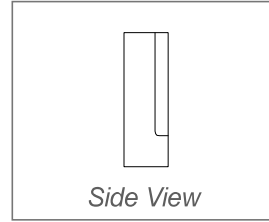
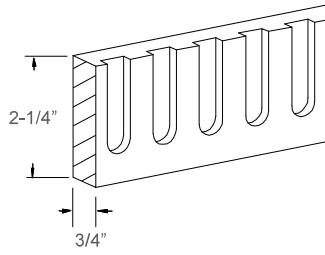
Ogee



Item Code	Dimensions	Weight
OGM10	3H x 3/4D x 120L	6 LB

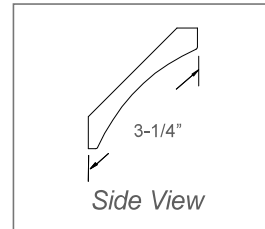
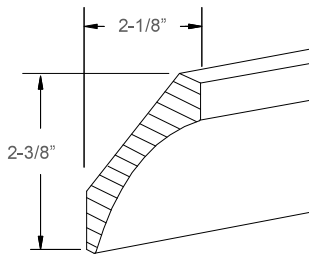
PLEASE CALL FIRST Availability for a particular product style and color may vary depending on showroom locations. Please check with your local J&K Cabinetry showroom or dealer for current availability before planning your projects.

Wide Dentil



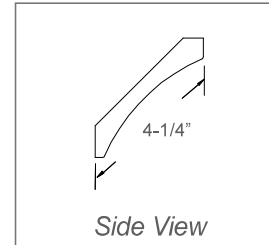
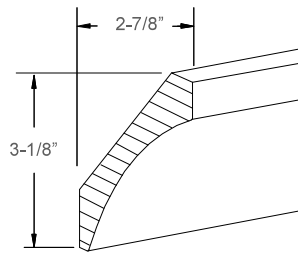
Item Code	Dimensions	Weight
* WDM10	2-1/4H x 3/4D x 120L	*

Cove



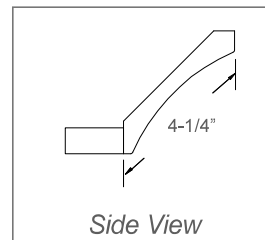
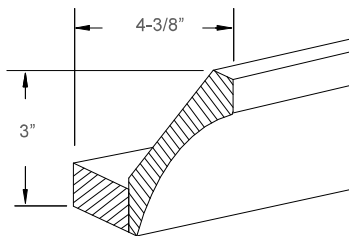
Item Code	Dimensions	Weight
ST10	2-3/8H x 2-1/8D x 120L	4 LB

Cove



Item Code	Dimensions	Weight
ST10-- 4-1/4	3-1/8H x 2-7/8D x 120L	6 LB

Cove with Base

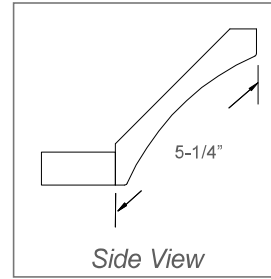
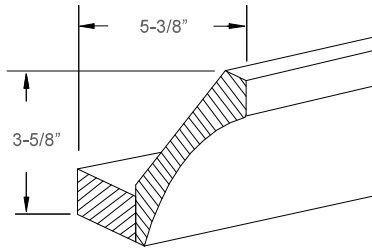


Item Code	Dimensions	Weight
AST10-- 4-1/4	3H x 4-3/8D x 120L	8 LB

MOLDINGS

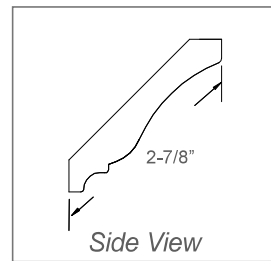
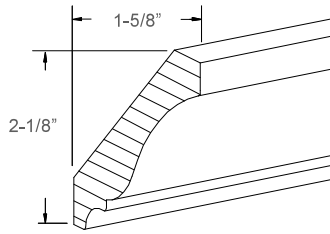
PLEASE CALL FIRST All specifications are subject to change without notice. All images are for reference only. To ensure the highest satisfaction, we strongly recommend you view an actual sample for product style and construction.

Large Cove With Base



Item Code	Dimensions	Weight
AST10-- 5-1/4	3-5/8H x 5-3/8D x 120L	9 LB

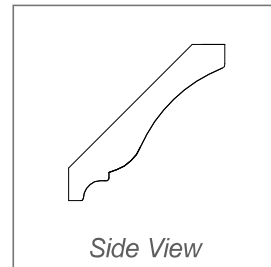
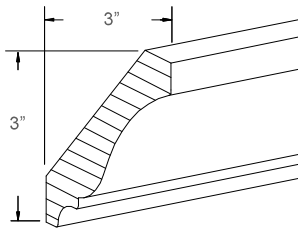
Crown



NOT Available For S1, S5, S8, E1, E2 : CM10

Item Code	Dimensions	Weight
CM10	2-1/8H x 1-5/8D x 120L	5 LB

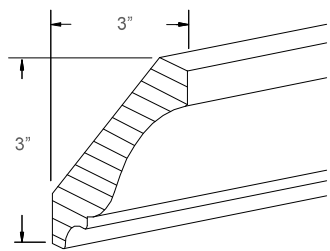
Crown



NOT Available For S1, S5, S8, E1, E2 : CM10-- 4-1/4

Item Code	Dimensions	Weight
* CM10-- 4-1/4	4-1/4H x 3/4D x 120L	7 LB

Large Crown

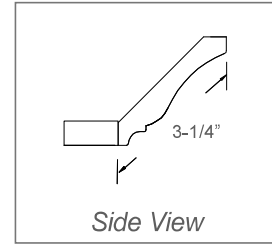
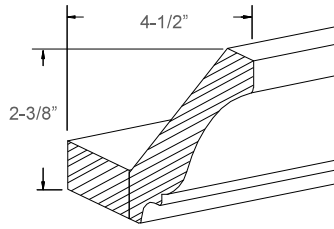


NOT Available For S1, S5, S8, E1, E2 : CM10-- 5-1/4

Item Code	Dimensions	Weight
* CM10-- 5-1/4	5-1/4H x 3/4D x 120L	9 LB

PLEASE CALL FIRST Availability for a particular product style and color may vary depending on showroom locations. Please check with your local J&K Cabinetry showroom or dealer for current availability before planning your projects.

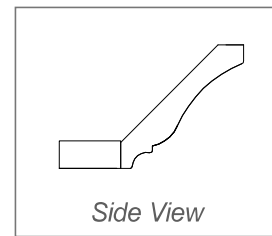
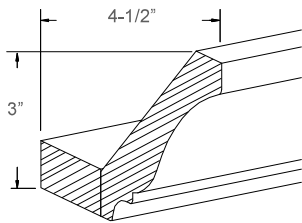
Crown with Base



NOT Available For S1, S5, S8, E1, E2 : ACM10-- 3-1/4

Item Code	Dimensions	Weight
ACM10-- 3-1/4	2-3/8H x 4-1/2D x 120L	8 LB

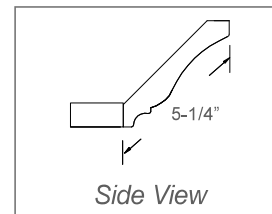
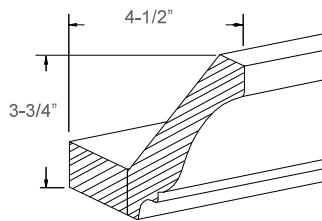
Crown with Base



NOT Available For S1, S5, S8, E1, E2 : ACM10-- 4-1/4

Item Code	Dimensions	Weight
ACM10-- 4-1/4	4-1/4H x 4-1/2D x 120L	10 LB

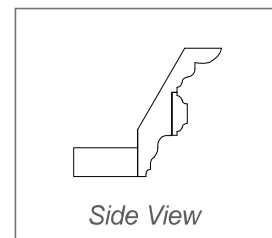
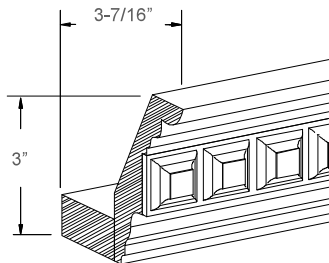
Large Crown with Base



NOT Available For S1, S5, S8, E1, E2 : ACM10-- 5-1/4

Item Code	Dimensions	Weight
ACM10-- 5-1/4	3-3/4H x 4-1/2D x 120L	12 LB

Dentil Crown with Base



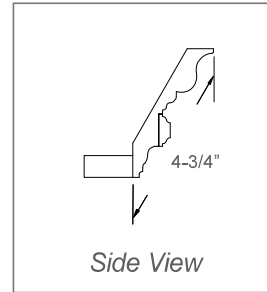
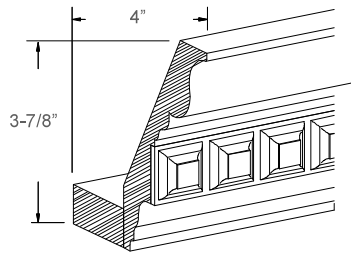
NOT Available For S1, S5, S8, H9, E1, E2 : CCM10-B

Item Code	Dimensions	Weight
CCM10-B	3-1/2H x 3/4D x 120L	6 LB

MOLDINGS

PLEASE CALL FIRST All specifications are subject to change without notice. All images are for reference only. To ensure the highest satisfaction, we strongly recommend you view an actual sample for product style and construction.

Dentil Crown
with Base



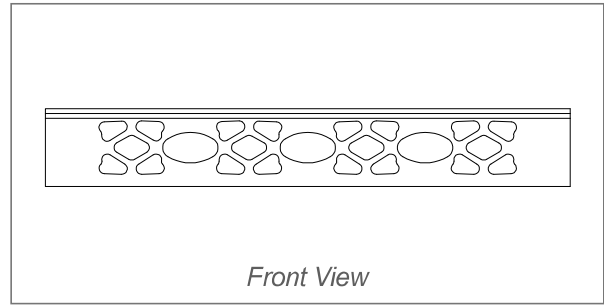
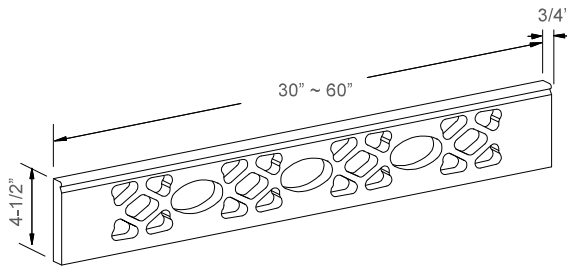
NOT Available For S1, S5, S8, H9, E1, E2 : CCM10-A

Item Code	Dimensions	Weight
CCM10-A	3-7/8H x 4D x 120L	9 LB

J&K CABINETS NC

PLEASE CALL FIRST Availability for a particular product style and color may vary depending on showroom locations. Please check with your local J&K Cabinetry showroom or dealer for current availability before planning your projects.

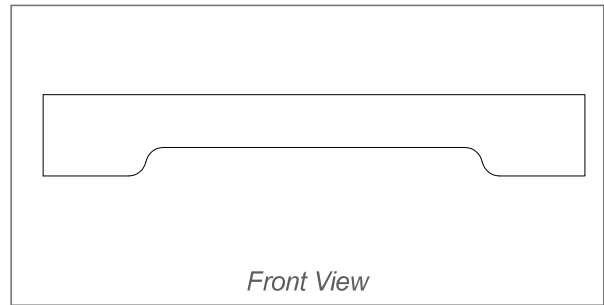
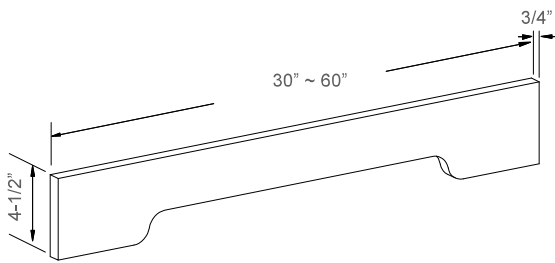
Frieze Valance



NOT Available For E1, E2 :
V30A, V33A, V36A, V42A, V48A, V54A, V60A

	Item Code	Dimensions	Weight
*	V30A	30W x 4-1/2H x 3/4D	2 LB
*	V33A	33W x 4-1/2H x 3/4D	2 LB
*	V36A	36W x 4-1/2H x 3/4D	2 LB
*	V42A	42W x 4-1/2H x 3/4D	3 LB
*	V48A	48W x 4-1/2H x 3/4D	3 LB
*	V54A	54W x 4-1/2H x 3/4D	3 LB
*	V60A	60W x 4-1/2H x 3/4D	3 LB

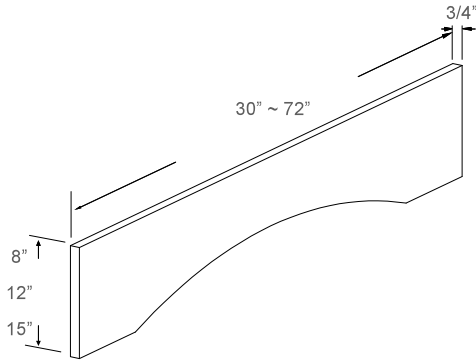
Arch Valance



	Item Code	Dimensions	Weight
	V30B	30W x 4-1/2H x 3/4D	2 LB
	V33B	33W x 4-1/2H x 3/4D	2 LB
	V36B	36W x 4-1/2H x 3/4D	2 LB
	V42B	42W x 4-1/2H x 3/4D	3 LB
	V48B	48W x 4-1/2H x 3/4D	3 LB
	V54B	54W x 4-1/2H x 3/4D	3 LB
	V60B	60W x 4-1/2H x 3/4D	4 LB

PLEASE CALL FIRST Availability for a particular product style and color may vary depending on showroom locations. Please check with your local J&K Cabinetry showroom or dealer for current availability before planning your projects.

Arch Valance

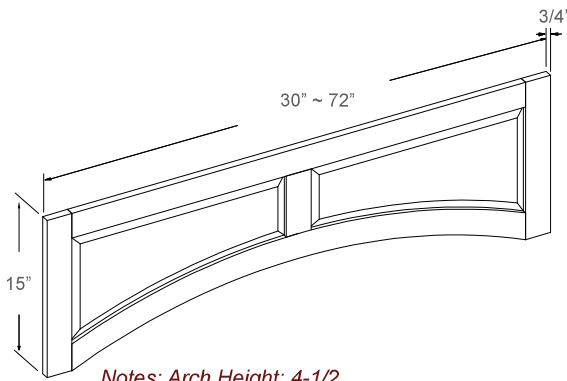


Notes: Valance Center 5" (RPV60 is 8-1/4")

Item Code	Dimensions	Weight
RPV30	30W x 8H x 3/4D	4 LB
RPV36	36W x 8H x 3/4D	5 LB
RPV42	42W x 8H x 3/4D	6 LB
RPV48	48W x 8H x 3/4D	6 LB
RPV54	54W x 8H x 3/4D	5 LB
RPV42-12	42W x 12H x 3/4D	9 LB
RPV60-15	60W x 15H x 3/4D	11 LB
RPV72-15	72W x 15H x 3/4D	15 LB

J&K CABINETS NC

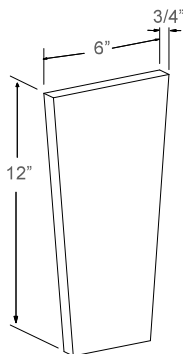
Arch Valance with Raised Panel



Notes: Arch Height: 4-1/2

Item Code	Dimensions	Weight
RPV30-A	30W x 15H x 3/4D	6 LB
RPV36-A	36W x 15H x 3/4D	6 LB
RPV42-A	42W x 15H x 3/4D	8 LB
RPV48-A	48W x 15H x 3/4D	9 LB
RPV54-A	54W x 15H x 3/4D	9 LB
RPV60-A	60W x 15H x 3/4D	10 LB
RPV72-A	72W x 15H x 3/4D	14 LB

Keystone



Item Code	Dimensions	Weight
* CO12	6W x 12H x 3/4D	1 LB

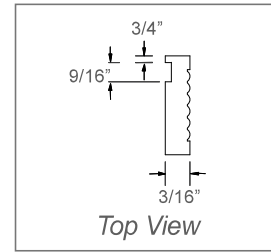
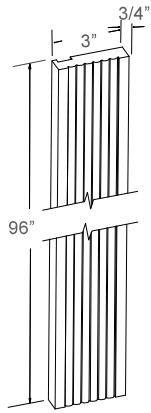
PLEASE CALL FIRST All specifications are subject to change without notice. All images are for reference only. To ensure the highest satisfaction, we strongly recommend you view an actual sample for product style and construction.

VALANCES & DECOR BLOCKS



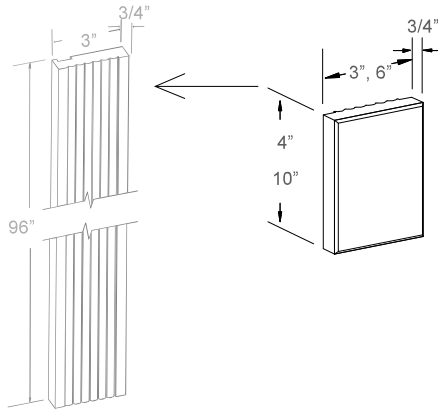
VANILANCES & DECOR BLOCKS

Fluted Filler



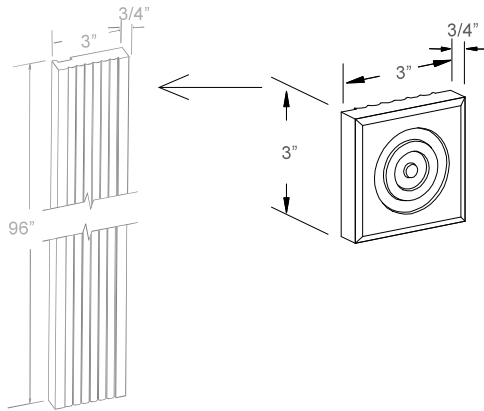
Item Code	Dimensions	Weight
PCVFF3	3W x 96H x 3/4D	4 LB

Plain Block



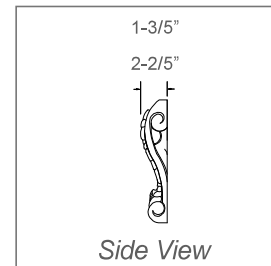
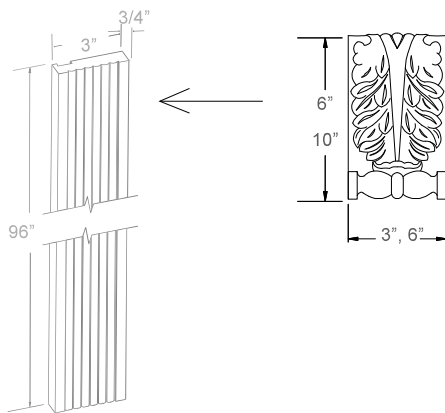
Item Code	Dimensions	Weight
* BB3*4	3W x 4H x 3/4D	0.2 LB

Rosette Block



Item Code	Dimensions	Weight
FB3*3	3W x 3H x 3/4D	0.2 LB

Decorative Leaf Block



Item Code	Dimensions	Weight
* LB3*6	3W x 6H x 1-3/5D	2 LB

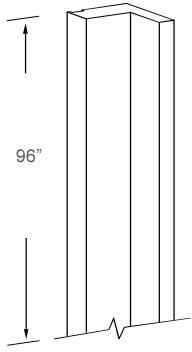
PLEASE CALL FIRST Availability for a particular product style and color may vary depending on showroom locations. Please check with your local J&K Cabinetry showroom or dealer for current availability before planning your projects.

VALANCES & DECOR BLOCKS

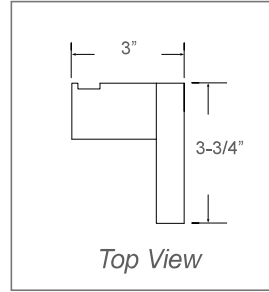


J&K CABINETS NC

Diagonal Filler Frame

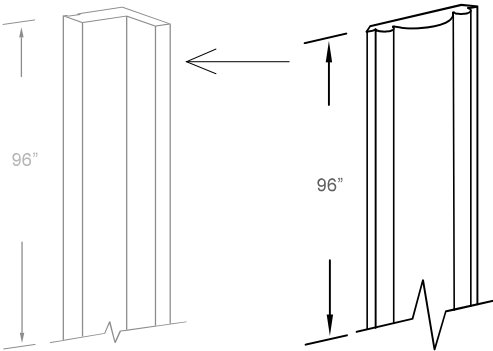


NOT Available For E1, E2 : DFF3X3-3/4



Item Code	Dimensions	Weight
* DFF3X3-3/4	3W x 96H x 3-3/4D	*

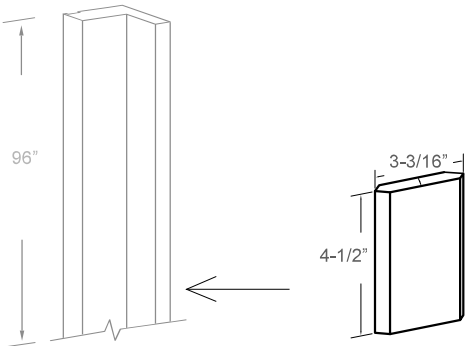
Curved Diagonal Filler



NOT Available For E1, E2 : CDF2-3/4

Item Code	Dimensions	Weight
* CDF2-3/4	2-3/4W x 96H x 3/4D	*

Diagonal Filler Plinth



NOT Available For E1, E2 : DFP3-3/16 *

Item Code	Dimensions	Weight
* DFP3X3-3/16	3-3/16W x 4-1/2H x 3/4D	*

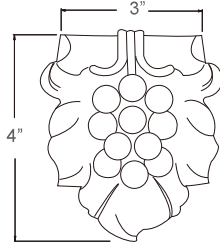
PLEASE CALL FIRST All specifications are subject to change without notice. All images are for reference only. To ensure the highest satisfaction, we strongly recommend you view an actual sample for product style and construction.

ONLAYS, CORBELS & POSTS



ONLAYS, CORBELS & POSTS

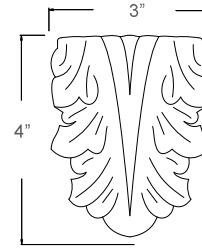
Grape Ornament



NOT Available For E1, E2 : SGO

Item Code	Dimensions	Weight
* SGO	3W x 4H x 3/4D	0.1 LB

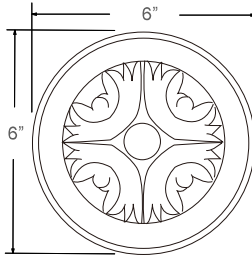
Leaf Ornament



NOT Available For E1, E2 : RGO

Item Code	Dimensions	Weight
* RGO	3W x 4H x 3/4D	0.1 LB

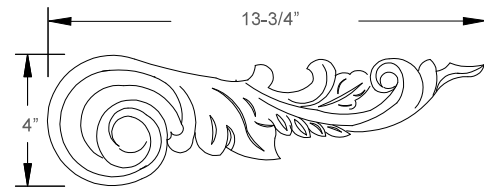
Round Ornament



NOT Available For E1, E2 : ASO

Item Code	Dimensions	Weight
* ASO	6W x 6H x 3/4D	0.6 LB

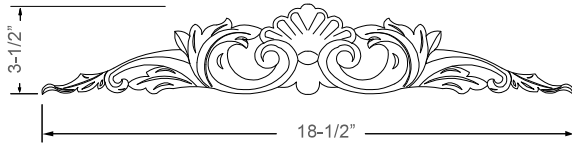
Leaf Onlay



NOT Available For E1, E2 : AB

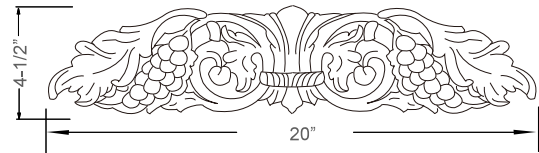
Item Code	Dimensions	Weight
* AB	13-3/4W x 4H x 3/4D	0.3 LB

Shell Onlay



Item Code	Dimensions	Weight
* AC	18-1/2W x 3-1/2H x 1/2D	0.4 LB

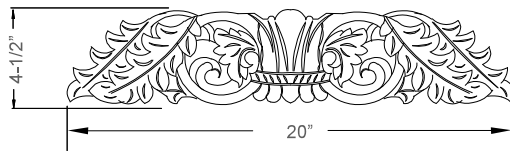
Grape Onlay



NOT Available For E1, E2 : GRPO

Item Code	Dimensions	Weight
* GRPO	20W x 4-1/2H x 3/4D	1.2 LB

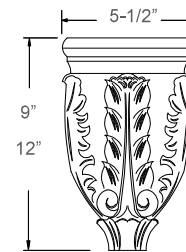
Large Leaf Onlay



NOT Available For E1, E2 : RRPO

Item Code	Dimensions	Weight
* RRPO	20W x 4-1/2H x 3/4D	1.2 LB

Leaf Corbel



NOT Available For E1, E2 : LC9, LC12

Item Code	Dimensions	Weight
* LC9	5-1/2W x 9H x 2-3/4D	2 LB
* LC12	5-1/2W x 12H x 2-3/4D	2 LB

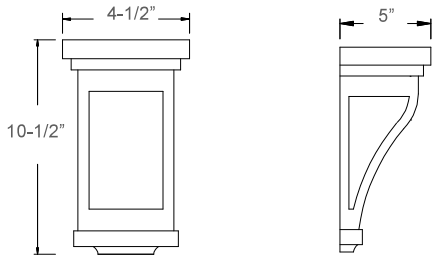
PLEASE CALL FIRST All specifications are subject to change without notice. All images are for reference only. To ensure the highest satisfaction, we strongly recommend you view an actual sample for product style and construction.

ONLAYS, CORBELS & POSTS



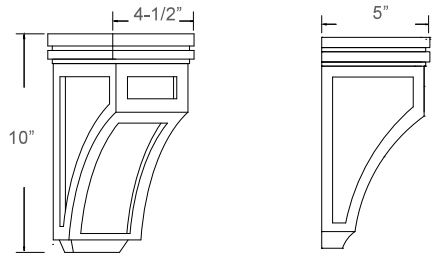
J&K CABINETRY NC

Mission Corbel



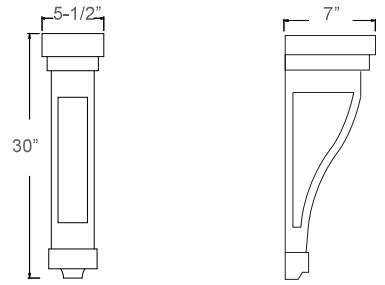
Item Code	Dimensions	Weight
SC58	4-1/2W x 10-1/2"H x 5D	3 LB

Mission Corbel



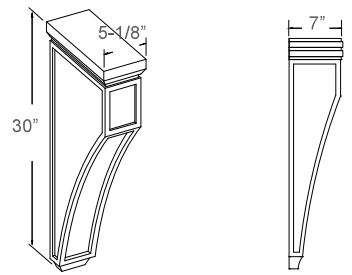
Item Code	Dimensions	Weight
* MC4-1/2-B	4-1/2W x 10H x 5D	*

Large Mission Corbel



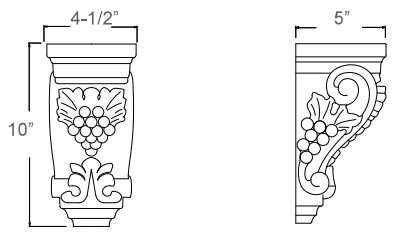
Item Code	Dimensions	Weight
* SC530	5-1/2W x 30H x 7D	13 LB

Large Mission Corbel



Item Code	Dimensions	Weight
* LMC5-1/8-B	5-1/8W x 30H x 7D	*

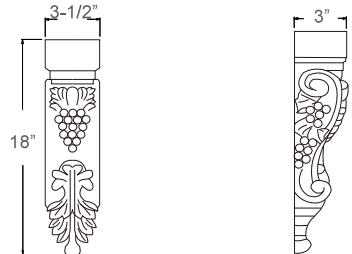
Grape Corbel



NOT Available For E1, E2 : GC58

Item Code	Dimensions	Weight
GC58	4-1/2W x 10H x 5D	3 LB

Narrow Grape Corbel



NOT Available For E1, E2 : OLC318

Item Code	Dimensions	Weight
OLC318	3-1/2W x 18H x 3D	1.4 LB

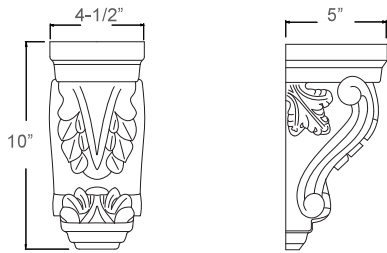
PLEASE CALL FIRST Availability for a particular product style and color may vary depending on showroom locations. Please check with your local J&K Cabinetry showroom or dealer for current availability before planning your projects.

ONLAYS, CORBELS & POSTS



ONLAYS, CORBELS & POSTS

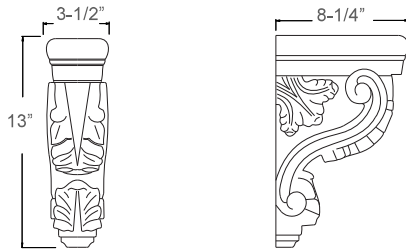
Acanthus Corbel



NOT Available For E1, E2 : RC58

Item Code	Dimensions	Weight
RC58	4-1/2W x 10H x 5D	3 LB

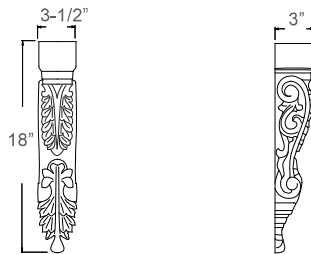
Acanthus Corbel



NOT Available For E1, E2 : RC313

Item Code	Dimensions	Weight
RC313	3-1/2W x 13H x 8-1/4D	5 LB

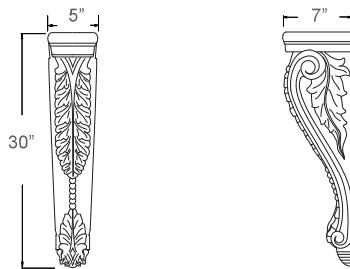
Narrow Acanthus Corbel



NOT Available For E1, E2 : RLC318

Item Code	Dimensions	Weight
* RLC318	3-1/2W x 18H x 3D	1.4 LB

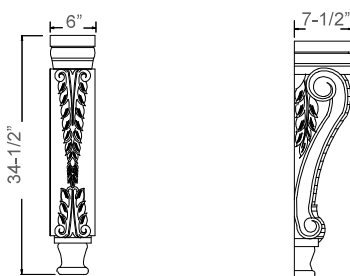
Large Acanthus Corbel



NOT Available For E1, E2 : RC530

Item Code	Dimensions	Weight
RC530	5W x 30H x 7D	14 LB

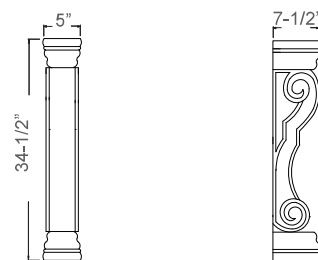
Large Acanthus Corbel



NOT Available For E1, E2 : CB34-1/2

Item Code	Dimensions	Weight
CB34-1/2	6W x 34-1/2H x 7-1/2D	24 LB

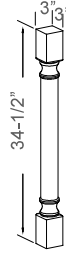
Roman Classic Corbel



Item Code	Dimensions	Weight
* RCC6X7-1/2	6W x 34-1/2H x 7-1/2D	*

PLEASE CALL FIRST All specifications are subject to change without notice. All images are for reference only. To ensure the highest satisfaction, we strongly recommend you view an actual sample for product style and construction.

Full Turn Post



Item Code	Dimensions	Weight
SP3X34-1/2	3W x 34-1/2H x 3D	5 LB

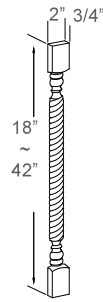
Twisted Full Turn Post



NOT Available For E1, E2 : RP34-1/2

Item Code	Dimensions	Weight
RP34-1/2	3W x 34-1/2H x 3D	6 LB

Twisted Split Turn Post



NOT Available For E1, E2 : RPS18~42

Item Code	Dimensions	Weight
* RPS18	2W x 18H x 3/4D	0.6 LB
* RPS24	2W x 24H x 3/4D	0.6 LB
* RPS30	2W x 30H x 3/4D	1 LB
* RPS36	2W x 36H x 3/4D	1 LB
* RPS42	2W x 42H x 3/4D	1 LB

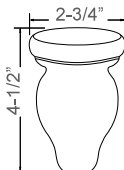
Traditional Rounded Post



NOT Available For E1, E2 : TRP6X6

Item Code	Dimensions	Weight
* TRP6X6	6W x 34-1/2H x 6D	*

Tulip Foot



Item Code	Dimensions	Weight
* TF	2-3/4W x 4-1/2H x 2-3/4D	0.5 LB

PLEASE CALL FIRST Availability for a particular product style and color may vary depending on showroom locations. Please check with your local J&K Cabinetry showroom or dealer for current availability before planning your projects.