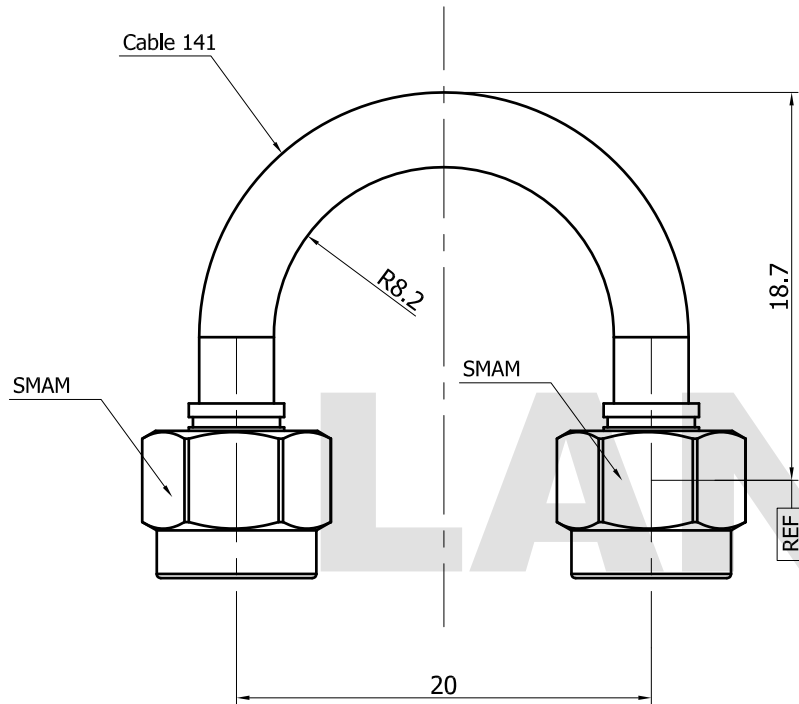


PRODUCT DATA SHEET



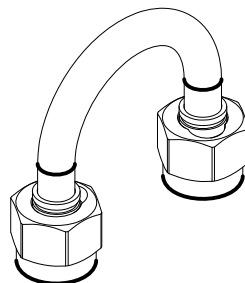
ITEM	ERA P/N	LANJIAN P/N	Frequency (GHz)	RL, no Less than (dB)
1	C. 0407. 00. 310	Z141SR-SMAJ/SMAJ-U-20-9-310	9	20
2	C. 0407. 00. 310-01	Z141SR-SMAJ/SMAJ-U-20-9-310-01	9	25
3	C. 0407. 00. 310-48	Z141SR-SMAJ/SMAJ-U-20-9-310-48	100MHz	25
4	C. 0407. 00. 310-49	Z141SR-SMAJ/SMAJ-U-20-9-310-49	20	20

MATERIAL:

BODY: BRONZE GOLD PLATED
NUT: STAINLESS STEEL PASSIVATED
CABLE: 141

PERFORMANCE:

IMPEDANCE: 50 OHMS
FREQUENCY: DC TO 20 GHz



THIS DOCUMENT CONTAINS CONFIDENTIAL AND PROPRIETARY INFORMATION THAT CANNOT BE REPRODUCED OR DIVULGED, IN WHOLE OR IN PART, WITHOUT WRITTEN AUTHORIZATION FROM "LANJIAN ELECTRONICS"	MATERIAL : UNLESS OTHERWISE SPECIFIED: DIMENSIONS IN MM			LANJIAN ELECTRONICS 38 Hengtong Road, Xinqu Dingmao Zhenjiang, 212009, Jiangsu, P. R. China
	TOLERANCES : X.X ±0.20 ANGULAR : ± 1° X.XX ±0.10 FILLETS R/C : ± 0.10 X.XXX ±0.01 SURFACE FINISH : Ra 1.6			
	DEBURR AND BREAK SHARP EDGES			DWG No.
	DRAWN X.C.W CHK'D H.Z.Y APP'VD H.Z.Y MFG	NAME DATE DATE DATE	SIGNATURE	
	PROJECTION 	SIZE A3	SCALE 4:1	PAGE 1 / 1
	DO NOT SCALE THE DRAWING			