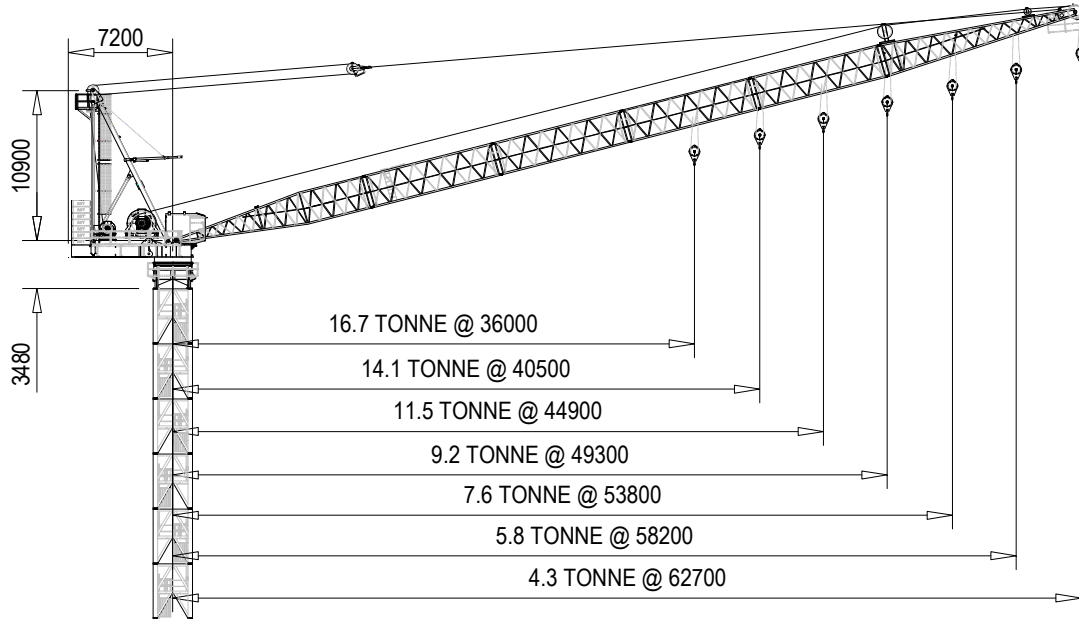


## TECHNICAL DATA SHEET



Various options in bottom structure configuration (such as freestanding, external climbing and internal climbing) and crane parking position available to suit site condition. Contact Favelle Favco sales and service representatives for consultation.

### SAFE WORKING LOAD - HOIST WINCH 25 TONNE x 2-FALL

Boom Length	36.6		41.2		45.8		50.4		55.0		59.6		64.2	
Minimum Radius	3.7		4.0		4.4		4.7		5.0		5.3		5.6	
Radius	SWL	Angle	SWL	Angle	SWL	Angle	SWL	Angle	SWL	Angle	SWL	Angle	SWL	Angle
7.5	50.0	80.0	50.0	81.2	50.0	82.0	50.0	82.8	50.0	83.4	50.0	83.9	39.8	84.3
10.0	50.0	76.0	50.0	77.6	50.0	78.9	50.0	79.9	50.0	80.8	48.3	81.5	38.2	82.1
12.5	50.0	71.9	50.0	74.0	50.0	75.6	50.0	77.0	50.0	78.1	46.5	79.0	37.0	79.8
15.0	50.0	67.7	49.3	70.3	48.7	72.4	48.2	74.0	47.1	75.4	44.4	76.6	35.3	77.5
17.5	42.7	63.4	41.6	66.6	40.5	69.0	39.7	71.0	39.0	72.7	38.5	74.1	33.8	75.2
20.0	36.4	58.8	35.4	62.7	34.5	65.6	33.8	68.0	33.0	69.9	32.8	71.5	32.5	72.9
22.5	31.4	54.1	30.6	58.6	29.8	62.1	29.1	64.9	28.4	67.1	28.3	69.0	28.2	70.6
25.0	27.5	49.0	26.7	54.4	26.0	58.5	25.3	61.7	24.7	64.2	24.5	66.4	24.3	68.2
27.5	24.3	43.5	23.6	50.0	23.0	54.7	22.4	58.4	21.7	61.3	21.5	63.7	21.3	65.7
30.0	21.7	37.3	21.1	45.2	20.5	50.7	19.9	54.9	19.3	58.3	19.0	61.0	18.8	63.2
32.5	19.4	30.1	18.9	40.0	18.4	46.5	17.8	51.3	17.2	55.1	16.9	58.2	16.7	60.7
35.0	17.5	20.5	17.0	34.0	16.5	42.0	16.0	47.6	15.4	51.8	15.1	55.3	14.8	58.1
37.5			15.5	27.0	15.0	36.9	14.4	43.5	13.8	48.4	13.5	52.3	13.2	55.4
40.0			14.3	17.4	13.6	31.2	13.1	39.1	12.5	44.8	12.1	49.1	11.7	52.6
42.5					12.5	24.3	11.9	34.3	11.3	40.9	10.9	45.8	10.5	49.7
45.0							10.9	28.7	10.2	36.7	9.8	42.3	9.4	46.7
47.5							10.0	21.9	9.3	32.0	8.8	38.6	8.4	43.5
50.0									8.5	26.5	8.0	34.5	7.5	40.1
52.5									7.8	19.7	7.3	29.9	6.7	36.5
55.0											6.6	24.5	6.0	32.5
57.5											6.0	17.6	5.3	28.0
60.0													4.8	22.6
62.5													4.3	15.6
Maximum Radius	16.7	15.0	14.1	15.0	11.5	15.0	9.2	15.0	7.6	15.0	5.8	15.0	4.3	15.0
	36.0		40.5		44.9		49.3		53.8		58.2		62.7	

Dimension in unit of meter. Rated load in unit of tonne. Angle in unit of degree.

# SAFE WORKING LOAD - HOIST WINCH 25 TONNE x 1-FALL

Boom Length	36.6		41.2		45.8		50.4		55.0		59.6		64.2	
Minimum Radius	4.0		4.3		4.7		5.0		5.3		5.6		5.9	
Radius	SWL	Angle	SWL	Angle	SWL	Angle	SWL	Angle	SWL	Angle	SWL	Angle	SWL	Angle
7.5	25.0	80.5	25.0	81.6	25.0	82.4	25.0	83.1	25.0	83.7	25.0	84.2	25.0	84.6
10.0	25.0	76.5	25.0	78.0	25.0	79.3	25.0	80.2	25.0	81.1	25.0	81.8	25.0	82.4
12.5	25.0	72.4	25.0	74.4	25.0	76.0	25.0	77.3	25.0	78.4	25.0	79.3	25.0	80.1
15.0	25.0	68.2	25.0	70.8	25.0	72.8	25.0	74.4	25.0	75.7	25.0	76.9	25.0	77.8
17.5	25.0	63.9	25.0	67.0	25.0	69.5	25.0	71.4	25.0	73.0	25.0	74.4	25.0	75.5
20.0	25.0	59.4	25.0	63.1	25.0	66.0	25.0	68.4	25.0	70.3	25.0	71.8	25.0	73.2
22.5	25.0	54.7	25.0	59.1	25.0	62.5	25.0	65.3	25.0	67.5	25.0	69.3	25.0	70.8
25.0	25.0	49.6	25.0	54.9	25.0	58.9	24.6	62.1	24.3	64.6	23.8	66.7	23.3	68.5
27.5	24.2	44.2	23.6	50.5	22.9	55.2	22.2	58.8	21.4	61.6	20.9	64.0	20.4	66.0
30.0	21.7	38.1	21.1	45.8	20.5	51.2	19.7	55.3	18.9	58.6	18.5	61.3	18.0	63.5
32.5	19.6	30.9	19.0	40.6	18.4	47.0	17.6	51.8	16.9	55.5	16.4	58.5	16.0	61.0
35.0	17.8	21.7	17.2	34.8	16.6	42.5	15.9	48.0	15.1	52.2	14.7	55.6	14.2	58.4
37.5			15.7	27.8	15.1	37.5	14.3	44.0	13.6	48.8	13.1	52.6	12.7	55.7
40.0			14.5	18.6	13.7	31.9	13.0	39.7	12.2	45.2	11.8	49.5	11.4	53.0
42.5					12.6	25.1	11.8	34.9	11.1	41.4	10.6	46.2	10.2	50.1
45.0							10.8	29.4	10.0	37.2	9.6	42.7	9.2	47.1
47.5							10.0	22.7	9.1	32.5	8.7	39.0	8.3	43.9
50.0									8.3	27.2	7.9	35.0	7.5	40.5
52.5									7.6	20.5	7.2	30.4	6.8	36.9
55.0											6.5	25.1	6.1	33.0
57.5											6.0	18.4	5.5	28.5
60.0													5.0	23.3
62.5													4.6	16.5
Maximum Radius	17.3	15.0	14.0	15.0	11.5	15.0	9.5	15.0	7.3	15.0	5.8	15.0	4.6	15.0
	36.3		40.7		45.2		49.6		54.0		58.5		62.9	

Dimension in unit of meter. Rated load in unit of tonne. Angle in unit of degree.

Safe working loads published above valid upto 100m lifting height. When lifting height exceed 100m safe working load shall be reduced by additional rope weight.

**Note:**

This datasheet is published for preliminary consideration and reference guide only. This datasheet should not be used for lifting purposes. Continuous engineering and improvements makes it necessary that Favelle Favco reserve the right to make changes to specification and equipment without prior notice.