

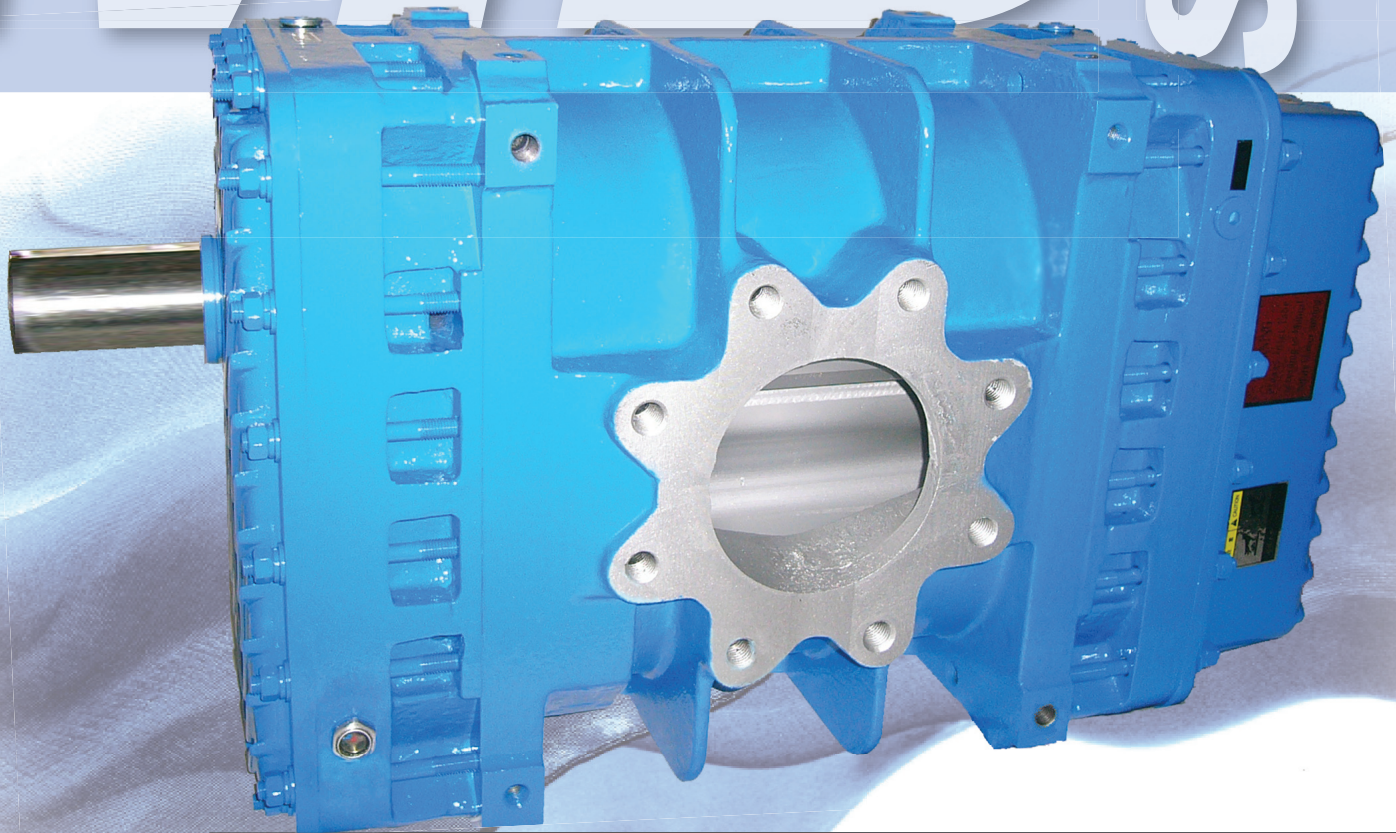


EurusBlower



MB Series
*Bi-lobe Positive Displacement Blower
& Vacuum Pumps*

MB Series



www.eurusblower.com

Shandong Zhangqiu Blower Co., Ltd.

est. 1968

est. 2008



EurusBlower

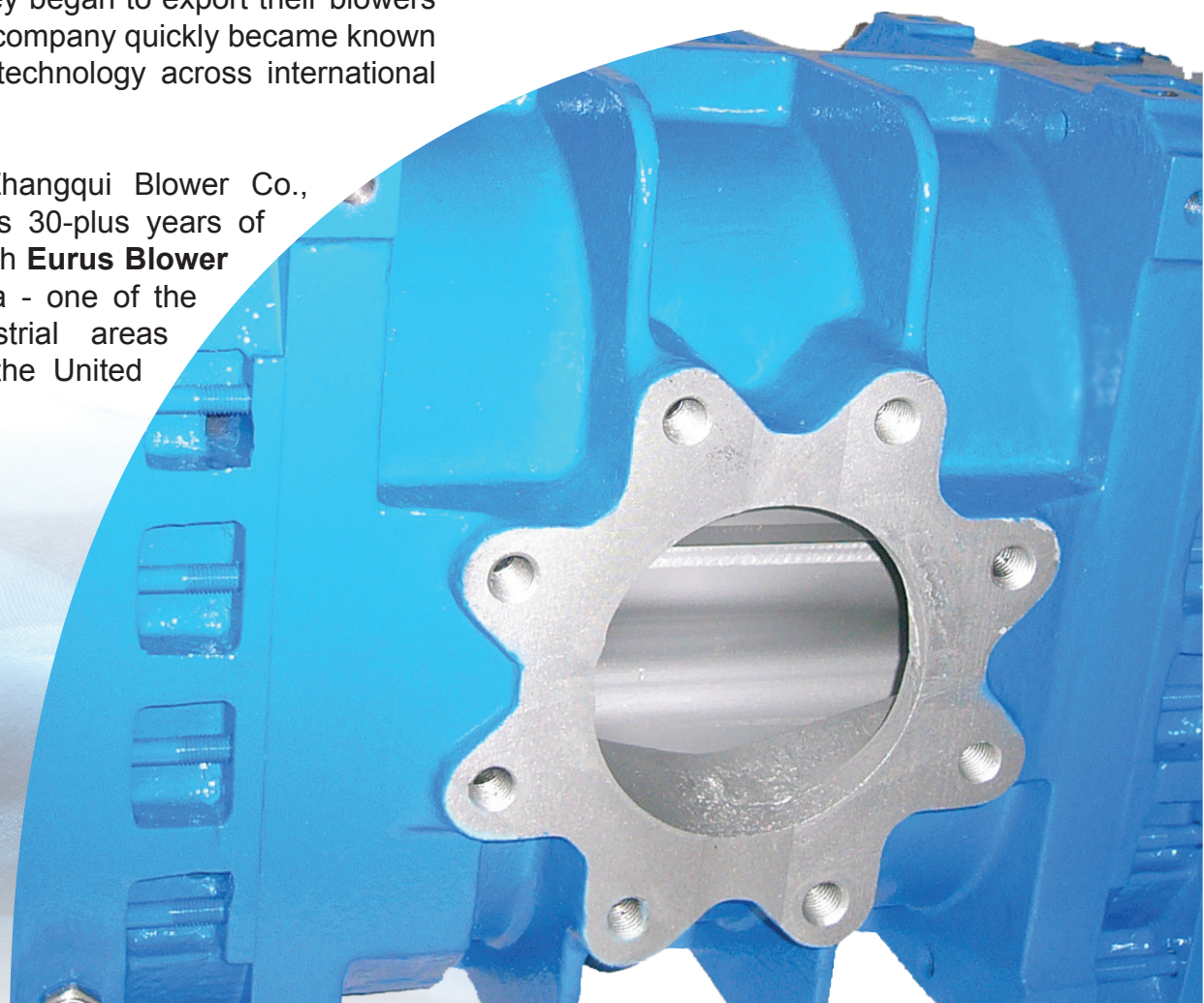
EurusBlower

Over 30 Years Experience

Shandong Zhangqiu Blower Co., Ltd., was founded in 1968 on the principles of providing quality, value and dependability. After 20 years of establishing a solid foundation in China, they began to export their blowers in the late 1990's. The company quickly became known as a leader in blower technology across international markets.

In 2008, Shandong Zhangqiu Blower Co., Ltd. decided to take its 30-plus years of experience and establish **Eurus Blower** in southeastern Virginia - one of the fastest growing industrial areas on the east coast of the United States.

- **Quality**
- **Value**
- **Dependability**



Eurus Blower: Built For Long Life

- Heavy duty, oversized bearings designed for longer L10 life in industrial applications.

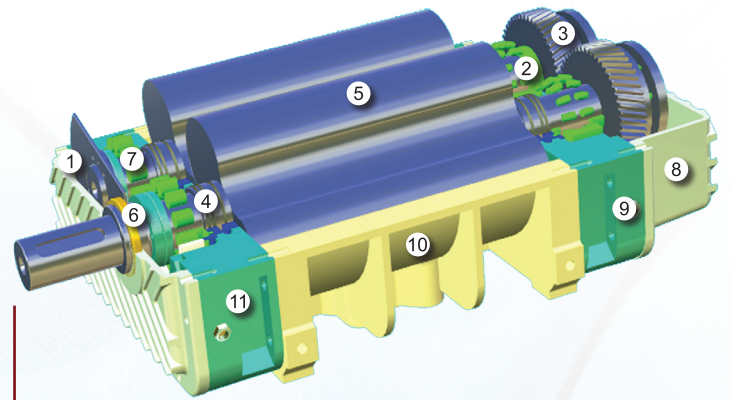
- Dual-splash aluminum tank design ensures gear and bearing longevity.

- One piece integrated ductile iron rotors and shafts, large shaft diameters, one piece high strength housing, and one piece end plates reduce torsion and vibration.

- Housings are designed for horizontal or vertical mounting configurations.

- Multi-piston ring air and oil seals minimize maintenance costs and ensure delivery without oil and air cross contamination.

- A viton lip seal on a wearable shaft sleeve with o-rings prevents oil from leaking and extends the life of the shaft.



1. Taper-lock Shaft Mounting



2. Oversized Bearings



3. Precision Helical Timing Gears



4. Multi-piston Ring Oil/Air Seals



5. Ductile Iron Rotor

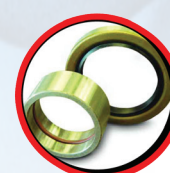


6. Viton Oil Seals on Wearable Shaft Sleeves

7. Roller Drive Bearing



8. Aluminum Oil Covers



9. Oil Sight Glasses

10. Cast Iron Housing

11. High Strength End Plate

Pressure Performance : MB Series 30, 45, 60

MB Series 30

MODEL	SPEED RPM	4PSIG			6PSIG			8PSIG			10PSIG			12PSIG			15PSIG		
		CFM	BHP	°F	CFM	BHP	°F	CFM	BHP	°F	CFM	BHP	°F	CFM	BHP	°F	CFM	BHP	°F
MB 3004	3000	107	3.5	53	101	4.9	85	96	5.9	118	92	7.3	154						
	4000	155	4.7	49	149	6.5	76	144	7.9	105	140	9.6	135	136	11.3	166	133	13.7	213
	5000	202	5.8	47	197	8	72	192	9.8	99	188	12	126	184	14.2	154	181	17.1	196
MB 3006	3000	162	5.1	51	154	7.2	81	148	8.7	112	144	10.6	100	138	12.4	177			
	4000	231	6.8	48	224	9.5	74	218	11.5	101	213	13.9	130	208	16.3	158			
	5000	300	8.4	46	293	11.6	71	287	14.2	96	283	17.5	122	278	20.5	148			
MB 3007	3000	190	6	48	181	8.3	64	175	10	108	171	12.3	141						
	4000	268	7.8	47	262	11	73	256	13.3	100	251	16.1	128						
	5000	350	9.8	45	342	13.4	70	337	16.5	95	332	20.2	120						

MB Series 45

MODEL	SPEED RPM	4PSIG			6PSIG			8PSIG			10PSIG			12PSIG			15PSIG		
		CFM	BHP	°F	CFM	BHP	°F	CFM	BHP	°F	CFM	BHP	°F	CFM	BHP	°F	CFM	BHP	°F
MB 4504	2000	173	3.9	51	164	5.6	77	157	7.5	107	150	9.4	140	144	11.3	175	135	14	232
	3000	279	6.3	50	270	8.6	71	263	11.5	98	256	14.4	125	250	17.2	154	240	21.4	199
	4000	385	9.1	53	376	11.8	70	369	15.7	95	362	19.7	121	356	23.6	148	345	29.2	189
MB 4506	2000	259	5.7	49	246	8.4	76	236	11.1	106	226	13.9	138	217	16.7	172	206	20.9	227
	3000	417	9	48	404	12.7	70	394	16.9	96	384	21.2	123	375	25.4	151	364	31.8	195
	4000	575	12.7	49	562	17.2	69	552	23	93	542	28.7	118	533	34.5	144	522	43.1	185
MB 4509	2000	389	8.3	48	371	12.5	75	355	16.6	105	341	20.8	136	329	24.9	169	312	31.2	223
	3000	625	12.6	45	607	18.9	70	591	25.2	95	577	31.5	122	565	37.8	150	548	47.2	193
	4000	861	17	44	843	25.6	68	827	34.1	92	813	42.6	117	801	51.1	143	784	63.9	182
MB 4512	2000	523	11.1	47	499	16.6	75	479	22.2	104	461	27.7	134	444	33.3	167	423	41.6	220
	3000	838	16.8	45	814	25.2	69	794	33.6	95	776	42	121	759	50.4	148	738	63	191
	4000	1153	22.7	44	1129	34.1	67	1109	45.5	92	1091	56.8	116	1074	68.2	142	1053	85.2	181
MB 4518	2000	790	16.6	47	755	25	74	725	33.3	103	699	41.6	133	676	49.9	165			
	3000	1263	25.2	45	1228	37.8	69	1198	50.4	94	1172	63	120	1149	75.5	147			
	4000	1736	34	44	1701	51	67	1671	68	91	1645	85	115	1622	102	141			

MB Series 60

MODEL	SPEED RPM	4PSIG			6PSIG			8PSIG			10PSIG			12PSIG			15PSIG		
		CFM	BHP	°F	CFM	BHP	°F	CFM	BHP	°F	CFM	BHP	°F	CFM	BHP	°F	CFM	BHP	°F
MB 6010	1500	604	13.1	49	571	19.7	77	544	26.3	108	520	32.9	141	498	39.4	177	468	49.3	235
	2300	1003	20.3	45	970	30.5	70	943	40.7	96	919	50.8	124	897	61	152	867	76.3	196
	3000	1352	26.8	44	1320	40.2	68	1292	53.6	93	1268	67	118	1246	80.4	144	1217	100.5	185
MB 6016	1500	956	20	47	915	30	73	881	40	102	850	50	131	823	60	163	786	75	213
	2300	1564	31	44	1523	46.4	68	1488	61.9	93	1458	77.4	119	1430	92.9	145	1393	116.1	186
	3000	2095	40.8	44	2054	61.2	67	2019	81.7	90	1989	102.1	115	1961	122.5	140	1924	153.1	178
MB 6024	1500	1481	30	45	1430	45	70	1386	60	97	1348	75	124	1314	90	153			
	2300	2392	46.3	43	2341	69.5	66	2298	92.7	90	2260	115.8	115	2225	139	140			
	3000	3189	61	43	3138	91.5	65	3095	122	88	3057	152.5	111	3022	183	135			

Vacuum Performance: MB Series 30, 45, 60

MB Series 30

MODEL	SPEED RPM	4"Hg			6"Hg			8"Hg			10"Hg			12"Hg			15"Hg		
		CFM	BHP	°F	CFM	BHP	°F	CFM	BHP	°F	CFM	BHP	°F	CFM	BHP	°F	CFM	BHP	°F
MB 3004	3000	115	2.2	29	109	2.8	47	103	3.5	73	97	4.2	109	91	4.9	156	81	5.9	261
	4000	162	2.8	28	157	3.6	44	151	4.6	57	145	5.5	97	139	6.5	136	130	7.8	218
	5000	209	3.7	27	204	4.6	42	199	5.7	64	193	6.8	91	188	7.9	127	178	9.5	199
MB 3006	3000	171	3.1	29	163	4	46	155	5.1	71	148	6.1	104	140	7.1	148	127	8.6	243
	4000	239	4.1	27	232	5.3	43	225	6.7	65	218	8.1	95	210	9.4	132	198	11.4	208
	5000	308	5.4	27	302	6.7	41	294	8.3	63	287	9.9	90	280	11.5	124	268	13.8	192
MB 3007	3000	199	3.6	28	191	4.7	45	183	5.8	70	175	7.1	102	166	8.2	144	153	10	234
	4000	279	4.8	27	272	6.1	42	263	7.7	65	255	9.3	93	247	10.9	129	234	13.2	204
	5000	359	6.2	26	351	7.8	41	344	9.6	62	336	11.5	88	328	13.3	122	315	16	189

MB Series 45

MODEL	SPEED RPM	4"Hg			6"Hg			8"Hg			10"Hg			12"Hg			15"Hg		
		CFM	BHP	°F	CFM	BHP	°F	CFM	BHP	°F	CFM	BHP	°F	CFM	BHP	°F	CFM	BHP	°F
MB 4504	2000	181	1.8	26	173	2.7	44	165	3.7	68	157	4.6	98	149	5.5	137	135	6.9	227
	3000	286	2.8	25	278	4.2	42	270	5.6	63	262	7	89	254	8.4	123	240	10.5	195
	4000	391	3.8	25	383	5.7	42	375	7.7	62	367	9.6	87	359	11.5	119	345	14.3	186
MB 4506	2000	273	2.7	26	261	4.1	44	250	5.5	67	239	6.8	96	227	8.2	135	207	10.3	222
	3000	431	4.2	25	419	6.2	42	408	8.3	62	397	10.4	88	385	12.5	121	365	15.6	191
	4000	589	5.6	25	577	8.5	41	566	11.3	61	555	14.1	85	543	16.9	116	523	21.2	181
MB 4509	2000	410	4.1	26	393	6.1	44	376	8.2	66	360	10.2	95	342	12.2	133	313	15.3	219
	3000	646	6.2	25	629	9.3	41	612	12.4	62	596	15.5	87	578	18.6	120	549	23.2	189
	4000	882	8.4	24	865	12.6	41	848	16.7	60	832	20.9	84	814	25.1	115	785	31.4	179
MB 4512	2000	549	5.4	26	527	8.2	43	506	10.9	66	485	13.6	94	462	16.3	132	424	20.4	215
	3000	864	8.3	25	842	12.4	41	821	16.5	61	800	20.6	87	777	24.8	119	739	30.9	187
	4000	1179	11.2	24	1157	16.7	40	1136	22.3	60	1115	27.9	84	1092	33.5	114	1054	41.8	178
MB 4518	2000	828	8.2	25	796	12.3	43	765	16.3	65	734	20.4	93	701	24.5	130	646	30.6	212
	3000	1301	12.4	25	1269	18.5	41	1238	24.7	61	1207	30.9	86	1174	37.1	118	1119	46.4	186
	4000	1774	16.7	24	1742	25	40	1711	33.4	59	1680	41.7	83	1647	50.1	113	1592	62.6	176

MB Series 60

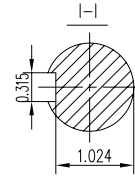
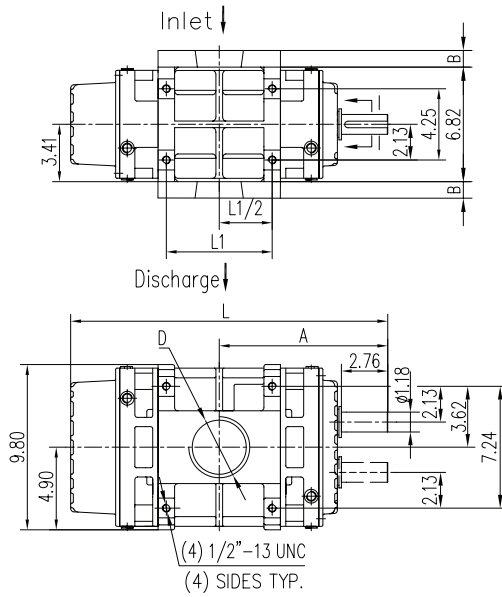
MODEL	SPEED RPM	4"Hg			6"Hg			8"Hg			10"Hg			12"Hg			15"Hg		
		CFM	BHP	°F	CFM	BHP	°F	CFM	BHP	°F	CFM	BHP	°F	CFM	BHP	°F	CFM	BHP	°F
MB 6010	1500	610	9.7	44	581	12.9	68	552	16.1	98	522	19.4	138	489	22.6	194	471	24.2	230
	2300	1009	15	41	980	20	62	951	25	88	921	30	121	888	35	165	870	37.4	193
	3000	1358	19.7	41	1329	26.3	60	1301	32.9	85	1270	39.5	116	1237	46.1	156	1219	49.4	181
MB 6016	1500	964	14.7	43	928	19.6	65	891	24.6	92	853	29.5	129	811	34.4	178	789	36.8	209
	2300	1571	22.8	41	1535	30.4	60	1498	38	85	1460	45.6	116	1418	53.2	157	1396	57	183
	3000	2102	30.1	40	2066	40.1	59	2030	50.1	83	1991	60.1	113	1950	70.2	151	1927	75.2	175
MB 6024	1500	1490	22.1	41	1445	29.5	62	1399	36.8	88	1351	44.2	122	1299	51.5	166	1271	55.2	195
	2300	2401	34.1	40	2356	45.5	59	2310	56.9	83	2263	68.3	113	2210	79.6	151	2182	85.3	175
	3000	3198	44.9	39	3153	59.9	58	3108	74.9	81	3060	89.9	110	3008	104.8	146	2979	112.3	169

Notes: Vacuum ratings based on inlet air at standard temperature of 68° F, discharge of 30" Hg and specific gravity of 1.0

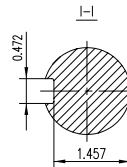
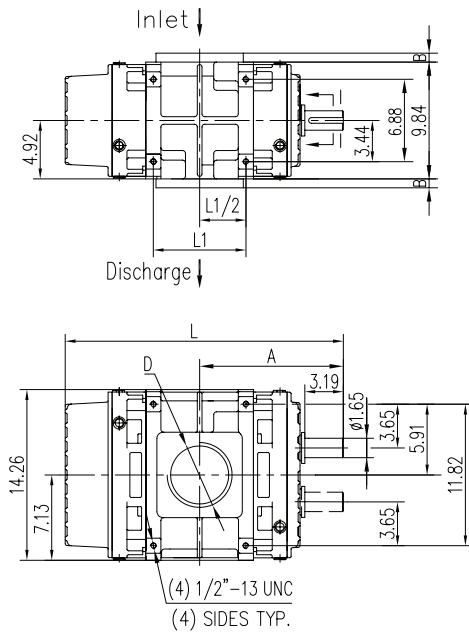
MB Series Technical Data

Outline Drawings for MB Series Roots Type Blower

Unit: inch



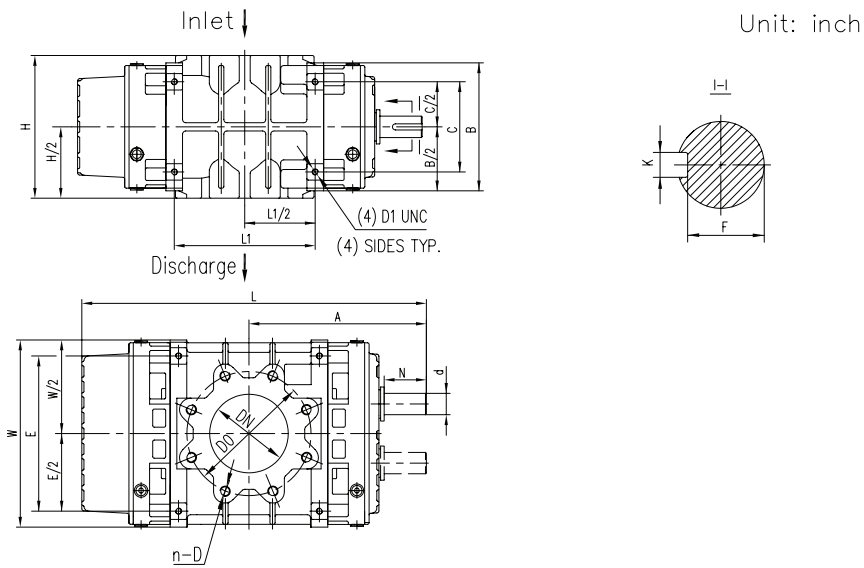
Type	A	B	L	L1	D
MB3004	8.54	0.8	15.91	3.35	NPT2"
MB3006	9.53	1	17.87	5.32	NPT2.5"
MB3007	10.02	1	18.86	6.30	NPT2.5"



Type	A	B	L	L1	D
MB4504	9.5	1	18.25	2.74	NPT2.5"
MB4506	10.49	1.38	20.20	4.75	NPT4"
MB4509	12.01	1.38	23.24	7.75	NPT5"

MB Series Technical Data

Outline Drawings for MB Series Roots Type Blower



Model	A	B	C	E	F	K	L1	L	N	W	d	H	DO	DN	n-D	D1
MB4512	13.50	9.75	6.87	11.81	1.457	0.472	10.73	26.23	3.19	14.25	Ø1.65	11	Ø9.5	Ø5.98	8-3/4"-10	1/2"-13
MB4518	16.50	9.75	6.87	11.81	1.457	0.472	16.73	32.21	3.19	14.25	Ø1.65	11.14	Ø11.75	Ø7.99	8-3/4"-10	1/2"-13
MB6010	15.24	12.99	9.17	15.75	2.087	0.709	8.88	29.41	4.41	19.02	Ø2.36	14.80	Ø9.5	Ø5.98	8-3/4"-10	5/8"-11
MB6016	18.00	12.99	9.17	15.75	2.087	0.709	14.37	34.92	4.41	19.02	Ø2.36	14.80	Ø11.75	Ø7.99	8-3/4"-10	5/8"-11
MB6024	22.00	12.99	9.17	15.75	2.087	0.709	22.36	42.95	4.41	19.02	Ø2.36	14.80	Ø14.25	Ø10	12-7/8"-9	5/8"-11



EurusBlower

110 Virginia Ham Drive, Suite 100A
Suffolk, VA 23434

Office: 757-538-1717
Fax: 757-538-1777

www.eurusblower.com
sales@eurusblower.com

