

Materials required:

[MediaHub Mini \(TA-3350\)](#)

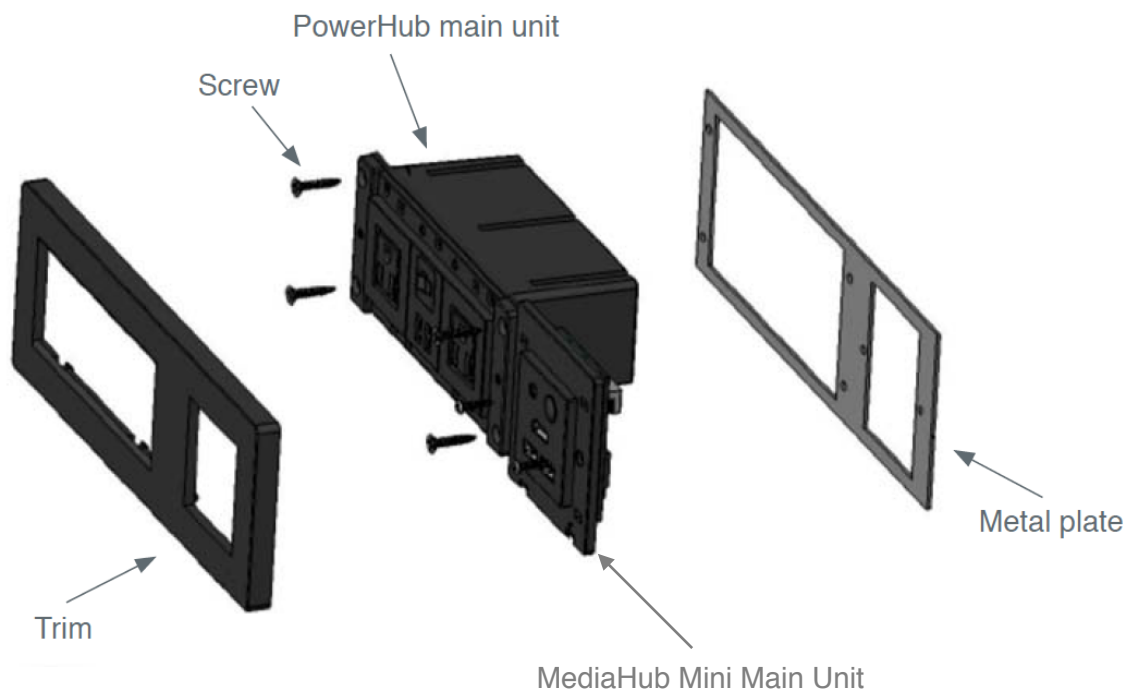
[PowerHub \(TA-7500 or TA-7530\)](#)

[Extender Trim Kit \(CKIT-MHMN-EXT1 -Black\) \(CKIT-MHMN-EXT2 - Brushed Nickel\)](#)

Finished View - (showing CKIT-MHMN-EXT2 Trim)

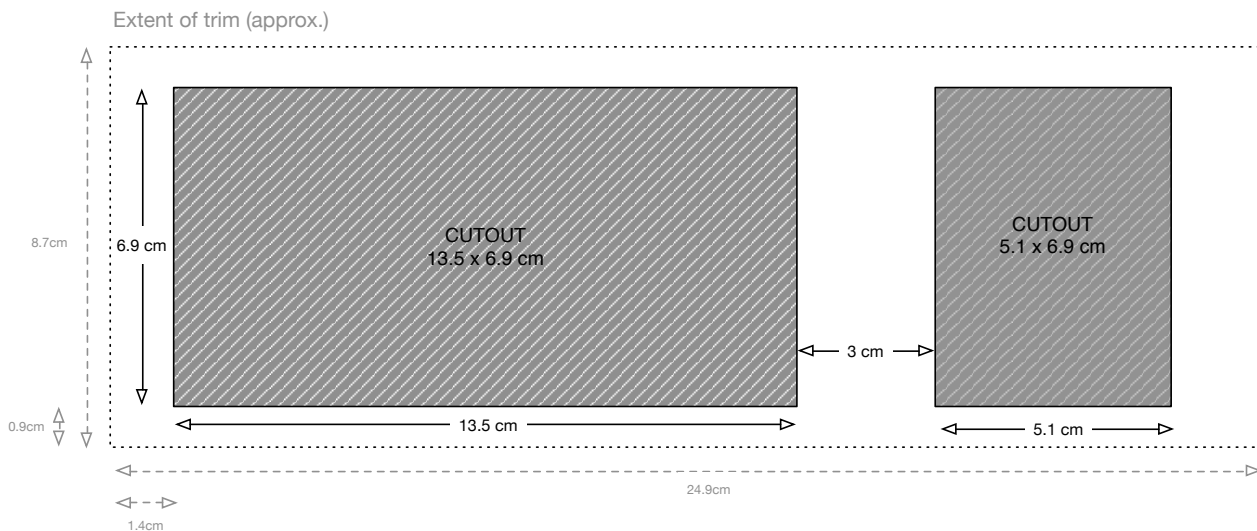


Exploded View



Step 1.

Transfer the dimensions from the Guide Plate shown below, or use the physical Guide Plate itself to trace the cutout size onto the surface of the material to cut. The plate is NOT REVERSIBLE - make sure the PowerHub is on the LEFT and the MediaHub is on the RIGHT. The trim has notches for removal that need to face downward - so they are unseen.

**Step 2.**

Cut material

Step 3.

Insert PowerHub and MediaHub into the Guide Plate.

Step 4.

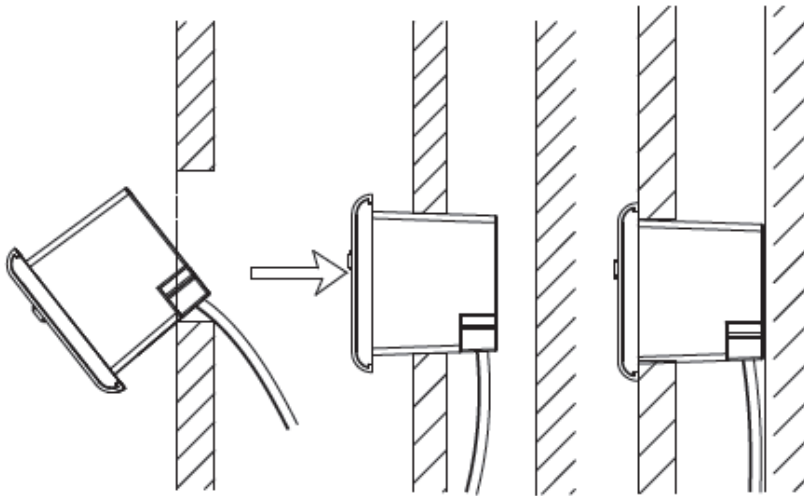
Pass the cables required for MediaHub Mini installation through the opening in the material (from rear to front) and connect to the rear of the MediaHub. The power and HDMI cables are required, RS232 and USB cables are optional (see [MediaHub Mini Install Guide](#)). Ensure cable length is adequate to reach a power outlet and to reach the HDMI port on the TV.

Step 5.

Pass the power cables for the PowerHub through the opening in the material. Ensure cable length is adequate to reach a power outlet. For TA-7500 models - an Ethernet cable will also need to be passed through the opening and connected to the back of the PowerHub. For more information on the various PowerHub models available see the [PowerHub Installation Guide](#).

Step 6.

With the PowerHub and MediaHub installed into the Guide Plate, push then entire assembly into the holes in the material. Lean the PowerHub on the bottom of the cutout in the furniture and push it into the cutout by rotating it slightly.



Fitting PowerHub USB through the Cut Out.

Step 7.

Fasten the PowerHub and the MediaHub to the wood material - using the wood screws provided. Ensure the screws pass through the PowerHub and MediaHub and through the Guide Plate. Depending on the material, its suggested to drill pilot holes for the screws.

Step 8.

After the assembly is fully fastened, the plastic trim snaps on. If trim removal is required, insert a flat head screwdriver into the notches on the bottom of the trim and to pry it off.

