

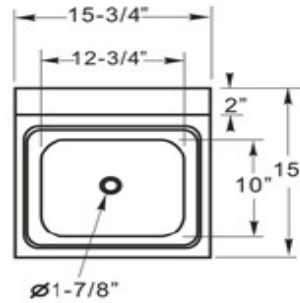
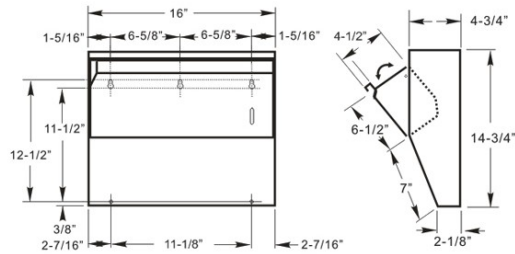
# WICKETTS STAINLESS

Stainless Steel Hand Sink  
 WHS 1615-CG LEAD FREE  
 Paper Towel & Soap Dispenser

## SPECIFICATION



HS-CFO



Product #	Description
WHS 1615-CG	16 X 15 Wall Mount Hand Sink With Lead Free Faucet; Paper Towel Soap Dispenser

WICKETTS STAINLESS, LLC  
 2618 San Miguel Dr. Bldg.# 376  
 Newport Beach, CA 92660  
 Tel.(951)-858-2548  
 Fax.(951)-638-9059  
 sales@wickettsstainless.com  
 www.wickettsstainless.com



**WARNING:**  
 This product can expose you to chemicals,  
 which are known to the State of California to  
 cause cancer. For more information, visit  
[www.P65Warnings.ca.gov](http://www.P65Warnings.ca.gov).

Approved for Manufacturing  
 Company: \_\_\_\_\_  
 Signature: \_\_\_\_\_  
 Print: \_\_\_\_\_ Date: \_\_\_/\_\_\_/\_\_\_