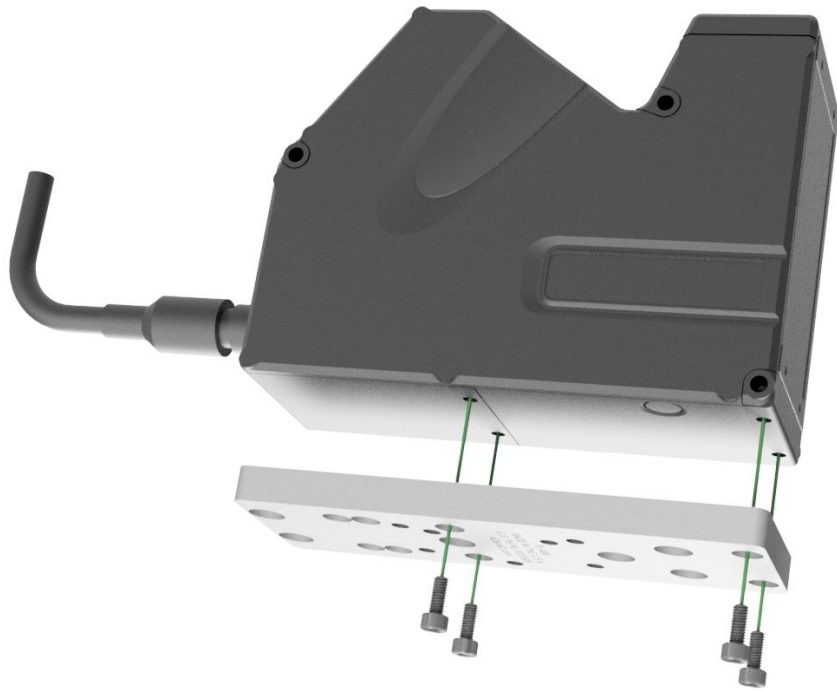


ADandD P/N PL-AB8

Mounting for Keyence LJ-X8080

Mounts with included (4) S.H.C.S. - M4-D.7mm X 10mm 18-8SS



Sample Setup Application

