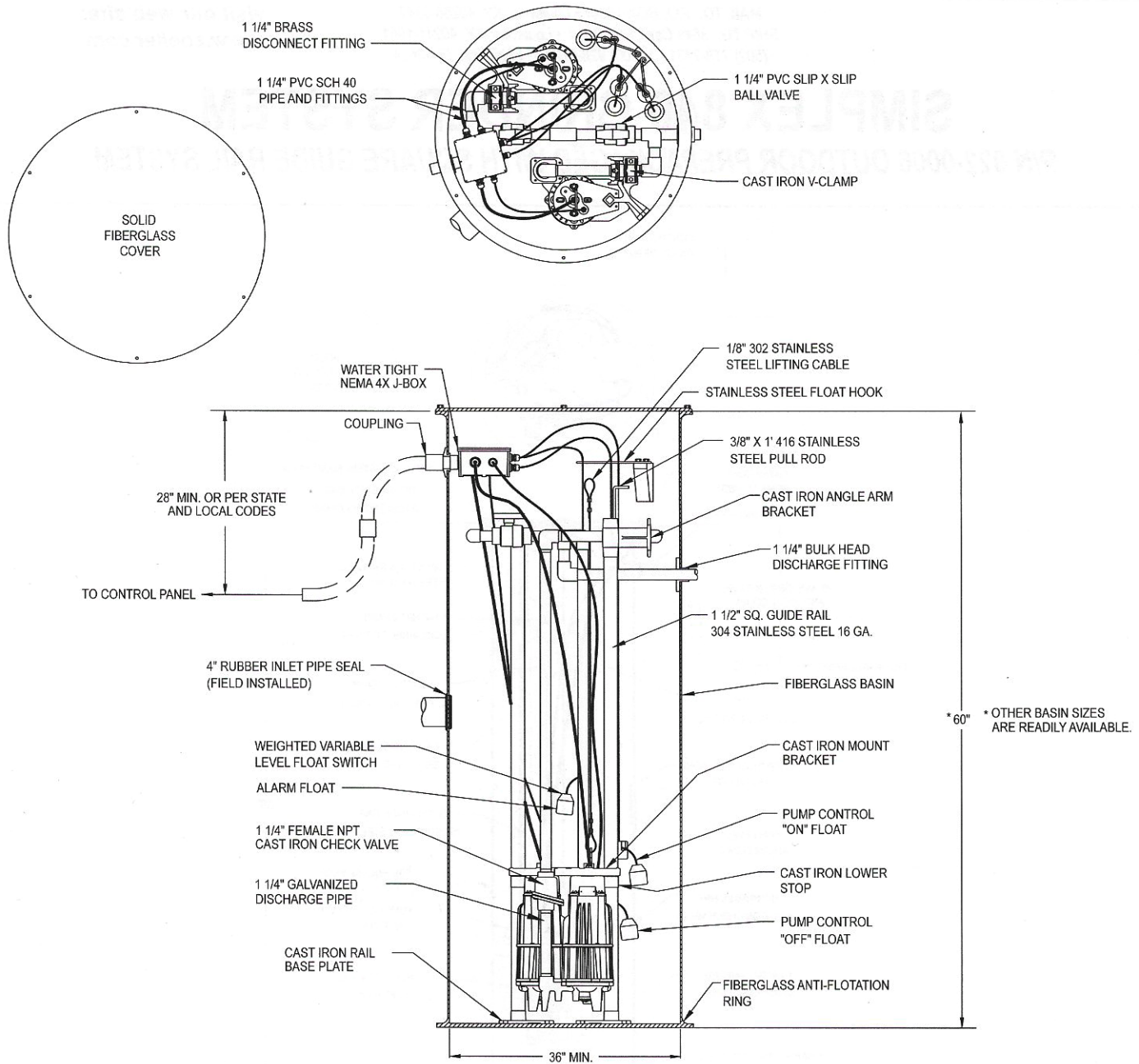


DUPLEX 840 GRINDER SYSTEM

P/N 922-0022 OUTDOOR PREPACKAGED WITH SQUARE GUIDE RAIL SYSTEM



SK1667A

Complete System As Shown Above (P/N 922-0022) Includes:

Qty.	Part No.	Description
2	840-0004	230 Volt, 1 Ph, 2 HP Grinder Pumps
1	10-0512	Nema 4X Duplex Control Panel with Automatic Reversing (Not Shown) Switch Assembly (3)
1	10-0329	J-Box for 3-Float System
1	10-0332	36" X 60" Fiberglass Basin and Cover, Rail Systems,
1	33-0035*	Two 8' SS Lifting Cables and Two 1' Pull Rods

Approximate Weight: 745 lbs.