

LED Troffer—Low Profile



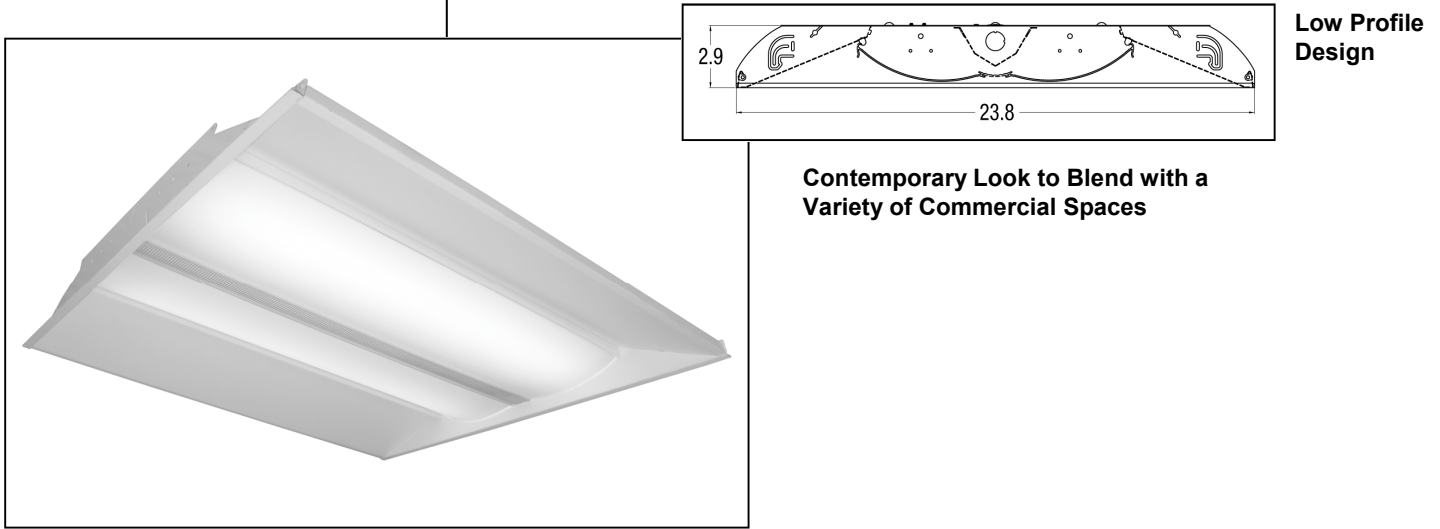
Proudly made in the U.S.A

Applications

- Office
- Schools
- Universities
- Fitness Rooms
- Hospitals

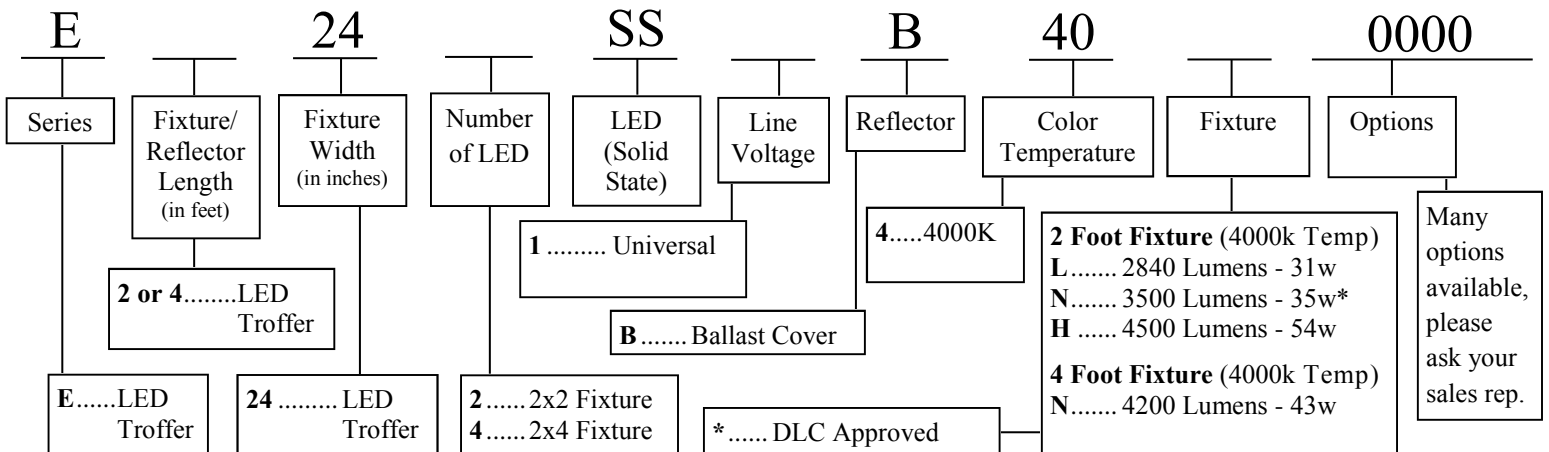
Features

- Low Profile LED Troffer Available in 2x2 and 2x4
- 0-10V Dimming Available
- Drivers and Boards Rated 5Year/50,000 hours
- Lumen Options Available in Low, Normal, High Output
- Low Profile—Ideal for Limited Access Environments



Low Profile Design

Contemporary Look to Blend with a Variety of Commercial Spaces



Wayne:712-251-7186
Korey:712-223-7859
Sheena:712-212-1432

Premier Industries Inc
(Fax:605-356-8072)

Email: wayne@premierindinc.com
sales@premierindinc.com;
sheena@premierindinc.com

*Input wattage calculated using ballast manufacturer data in an open-air lamp application.
*Actual fixture wattage may vary based upon a variety of factors including: ballast factor; lamp wattage; input line voltage; ballast manufacturer; and/or environmental temperature.