



# Planet <sup>swiss</sup> <sup>70</sup> <sup>®</sup>

JAHRE  
YEARS  
AÑOS

The door sealing experts



## Planet drop down seals

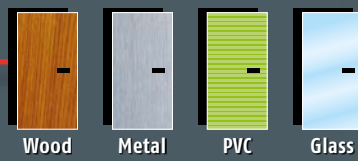
**+** SWISS MADE



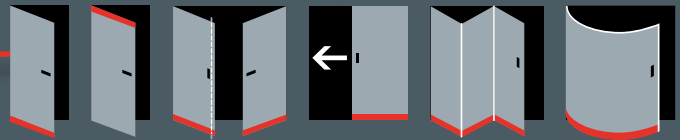
# Planet – for all doors



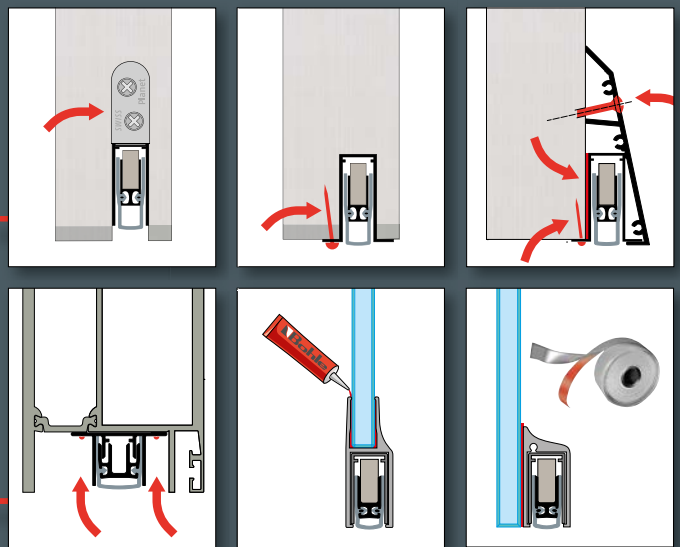
## Door material



## Door types















## Fixing types



## Floor surfaces



## Signs and symbols

	Soundproof <b>dB</b>		Light protection		Even floors
	Smokeproof <b>RD</b>		Dust protection		Uneven floors
	Fire resistant <b>FH</b>		Air circulation / air compensation		Emergency exit
	Saving energy		Ventilation systems / passive building / low energy houses		Following regulations for handicapped people, no / without obstacles

# Content

	Profil dimension / Seal height	Page
Planet selection table		4 / 5
Planet overview		4

				<b>Planet US</b>	8 x 30 ↓ 20	7
				<b>Planet TW</b>	8 x 20 ↓ 12	7
				<b>Planet HS</b>	13 x 30 ↓ 22	8
				<b>Planet RH</b>	13 x 30 ↓ 27	8
				<b>Planet FT</b>	13 x 30 ↓ 22	9
				<b>Planet RF</b>	13 x 30 ↓ 27	9
				<b>Planet KT</b>	13 x 25 ↓ 18	10
				<b>Planet TR125 Double-shortening</b>		10
				<b>Planet KR Flush bolt</b>	13 + 20	11
				<b>Planet Drill hole</b>	13 + 19,8	11
				<b>Planet SOCLE</b>	22 x 69	12
				<b>Planet SL</b>	21,8 x 30 ↓ 18	12
				<b>Planet MinE-F/S, MinE-F/V</b>	8 x 30 / 25 x 43 ↓ 20	13
				<b>Planet MinE-S, MinE-S V</b>	13 x 30 / 30 x 43 ↓ 27	13
				<b>Planet MF</b>	19,8 x 20 ↓ 16	14
				<b>Planet RO</b>	19,8 / 36 x 20 ↓ 16	14
				<b>Planet RS</b>	20,8 / 24 x 20 ↓ 16	15
				<b>Planet PU</b>	19,8 x 20 ↓ 16	15
				<b>Planet KG-S narrow</b>	11,5 x 38 ↓ 16	16
				<b>Planet KG-SM-Set narrow</b>	11,5 x 38 ↓ 16	16
				<b>Planet KG-S</b>	16,5 x 35 ↓ 18	17
				<b>Planet KG-SM-Set</b>	16,5 x 35 ↓ 18	17
				<b>Planet KG-F8 narrow</b>	11,5 x 46 ↓ 16	18
				<b>Planet KG-F10   F12</b>	16,5 x 46 ↓ 18	18
				<b>Planet KG-A8   A10</b>	16,5 x 35 ↓ 18	19
				<b>Planet KG-D8   D10</b>	16,5 x 28 / 35 ↓ 18	19
				<b>Planet KG-SL10</b>	25 x 46 ↓ 18	20

Best possible application    Possible application

Contact	20
---------	----

**SWISS MADE**



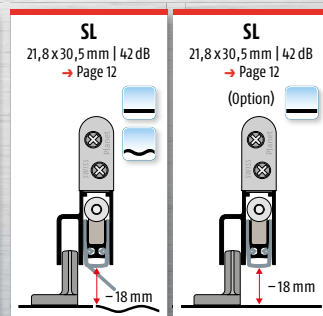
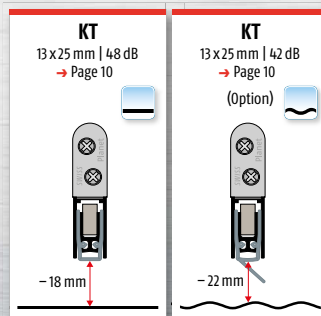
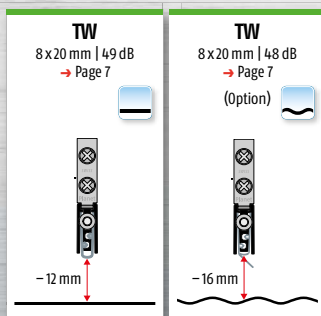
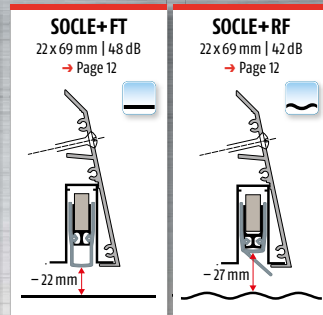
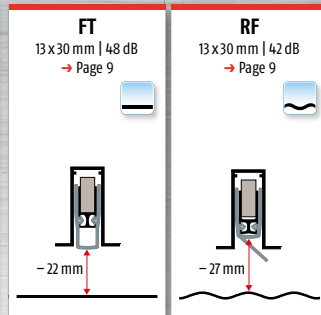
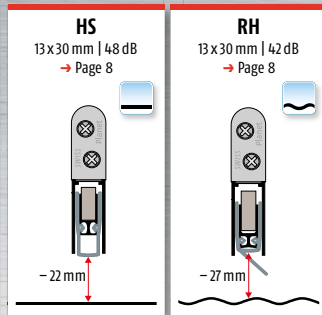
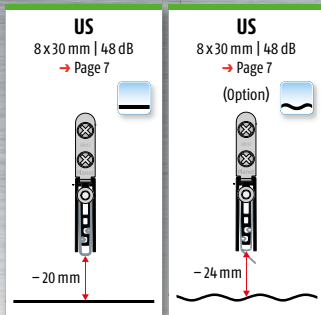
**Passive building**  
Air conditioning



# Planet drop down seals

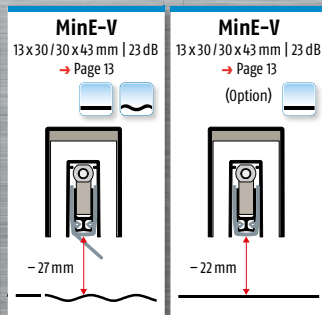
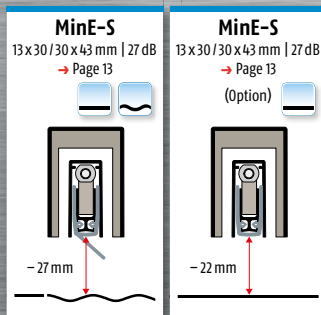
## 8 x 20 / 30 mm

for wood, metal and PVC



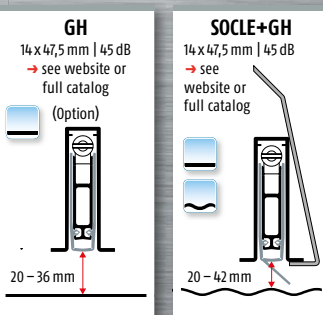
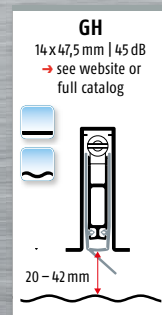
## 13 x 20 / 30 x 43 mm

for wood and metal



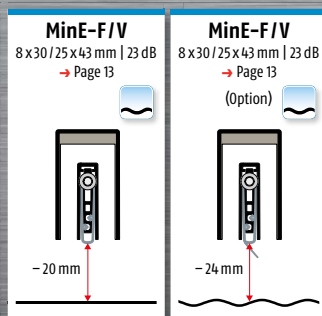
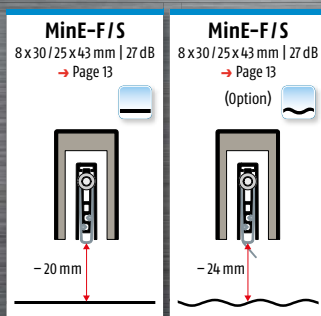
## 14 x 47,5 mm

for wood, metal and PVC



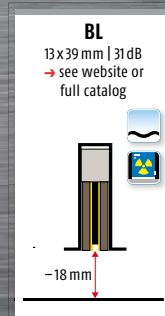
## 8 x 20 / 25 x 43 mm

for wood and metal



## 13 x 39 mm

for wood and metal



## 16,5 x 35 mm

for glass

<p><b>KG-S</b> Glass, 48 dB → Page 16</p> <p>-18 mm</p>	<p><b>KG-S</b> Glass, 42 dB → Page 16 (Option)</p> <p>-22 mm</p>	<p><b>KG-S narrow</b> Glass, 48 dB → Page 16</p> <p>-16 mm</p>	<p><b>KG-S narrow</b> Glass, 42 dB → Page 16 (Option)</p> <p>-20 mm</p>	<p><b>KG-F8 narrow</b> Glass 8 mm, 48 dB → Page 18</p> <p>-16 mm</p>	<p><b>KG-F8 narrow</b> Glass 8 mm, 42 dB → Page 18 (Option)</p> <p>-20 mm</p>	<p><b>KG-F10   F12</b> Glass 10   12 mm, 48 dB → Page 18</p> <p>-18 mm</p>	<p><b>KG-F10   F12</b> Glass 10   12 mm, 42 dB → Page 18 (Option)</p> <p>-22 mm</p>
<p><b>KG-A8   A10</b> Glass 8   10 mm, 48 dB → Page 19</p> <p>-18 mm</p>	<p><b>KG-A8   A10</b> Glass 8   10 mm, 42 dB → Page 19 (Option)</p> <p>-22 mm</p>	<p><b>KG-D8   D10</b> Glass 8   10 mm, 48 dB → Page 19</p> <p>-18 mm</p>	<p><b>KG-D8   D10</b> Glass 8   10 mm, 42 dB → Page 19 (Option)</p> <p>-22 mm</p>	<p><b>KG-U</b> Glass ≥ 12 mm, 48 dB → see website or full catalog</p> <p>-18 mm</p>	<p><b>KG-U</b> Glass ≥ 12 mm, 42 dB → see website or full catalog (Option)</p> <p>-22 mm</p>	<p><b>KG-SL10</b> Glass 10 mm, 42 dB → Page 20</p> <p>-18 mm</p>	<p><b>KG-SL10</b> Glass 10 mm, 42 dB → Page 20 (Option)</p> <p>-18 mm</p>

## 20 x 20 mm

for metal, PVC and wood

<p><b>MF</b> 19,8 x 20 mm   50 dB → Page 14</p> <p>-16 mm</p>	<p><b>MF</b> 19,8 x 20 mm   44 dB → Page 14</p> <p>-20 mm</p>	<p><b>RO</b> 19,8 / 36 x 20 mm   50 dB → Page 14</p> <p>-16 mm</p>	<p><b>RO</b> 19,8 / 36 x 20 mm   44 dB → Page 14</p> <p>-20 mm</p>	<p><b>RS</b> 20,8 / 24 x 20 mm   50 dB → Page 15</p> <p>-16 mm</p>	<p><b>RS</b> 20,8 / 24 x 20 mm   44 dB → Page 15</p> <p>-20 mm</p>	<p><b>PU</b> 19,8 x 20 mm   50 dB → Page 15</p> <p>-16 mm</p>	<p><b>PU</b> 19,8 x 20 mm   44 dB → Page 15</p> <p>-20 mm</p>
---	---	--	--	--	--	---	---

# Planet selection table

Page		7	7	8	8	9	9	10	12	12	13	13	14	14	15	15	16-20	*	*	*
Planet type		Planet TW	Planet US	Planet HS	Planet RH	Planet FT	Planet RF	Planet KT	Planet SL	Planet SOCLE	Planet MinE-FS / FV	Planet MinE-S / V	Planet MF	Planet RO	Planet RS	Planet PU	Planet KG	Planet GH	Planet BL	Planet Specials
<b>Door material</b>	Wood	●	●	●	●	●	●	●	●	●	●	●	●	●	●	●	●	●	●	●
	Metal	●	●	●	●	●	●	●	●	●	●	●	●	●	●	●	●	●	●	●
	PVC	●	●	●	●	●	●	●	●	●	●	●	●	●	●	●	●	●	●	●
	Glass																●			
<b>Door type</b>	Single doors – hinged	●	●	●	●	●	●	●	●	●	●	●	●	●	●	●	●	●	●	●
	Double doors – hinged	●	●	●	●	●	●	●	●	●	●	●	●	●	●	●	●	●	●	●
	Sliding doors	●	●	●	●	●	●	●	●	●	●	●	●	●	●	●	●	●	●	●
	Folding doors	●	●	●	●	●	●	●	●	●	●	●	●	●	●	●	●	●	●	●
	Double action doors	●	●	●	●	●	●	●	●	●	●	●	●	●	●	●	●	●	●	●
	WC-doors, forced ventilation										●	●								●
	Comfort ventilation										●	●								●
	Airlock doors										●	●								●
	Circular doors																			●
	<b>Function</b>	Soundproof dB	●	●	●	●	●	●	●	●	●	●	●	●	●	●	●	●	●	●
Smokeproof RD		●	●	●	●	●	●	●	●	●	●	●	●	●	●	●	●	●	●	●
Fire resistant FH		●	●	●	●	●	●	●	●	●	●	●	●	●	●	●	●	●	●	●
Escape doors		●	●	●	●	●	●	●	●	●	●	●	●	●	●	●	●	●	●	●
Lead-lined doors																			●	
<b>Double doors – hinged</b>	Flush bolt for bottom + top			●	●	●	●	●			●	●	●	●	●	●			●	●
	Drill hole 5 x 13 mm			●	●	●	●	●			●	●	●	●	●	●		●	●	●
	Drill hole Ø10,8 mm												●	●	●	●				●
<b>Lengths</b>	from 220 mm			●	●	●	●	●			●	●	●	●	●	●				●
	from 335 mm	●	●														●		●	●
	from 350 mm																			●
	from 460 mm								●										●	●
	up to 2000 mm										●	●								●
	up to 6000 mm	●	●	●	●	●	●	●	●	●			●	●	●	●	●	●	●	●
<b>Seal height up to</b>	12 mm	●																		●
	16 mm	●											●	●	●	●	●			●
	18 mm							●	●								●		●	●
	20 mm		●								●		●	●	●	●	●	●	●	●
	22 mm			●		●		●		●							●			●
	24 mm		●								●									●
	27 mm				●		●					●								●
	42 mm																		●	●
<b>Fixing</b>	Bottom fixed					●	●							●		●		●	●	●
	Side fixed	●	●	●	●			●	●		●	●	●		●					●
	Face fixed					●	●		●									●	●	●
	Bottom fixed with adhesive																●			●
	Face fixed with adhesive																●			●
<b>For particularly uneven floors</b>					●		●		●	●	●	●							●	●
as an option	●	●					●					●	●	●	●	●				
<b>Accessories</b>	Floor recess plates			●	●	●	●	●			●	●	●	●	●	●		●	●	●
	Threshold plate	●	●	●	●	●	●	●	●	●	●	●	●	●	●	●	●	●	●	●
	Floor separator sills	●	●	●	●	●	●	●	●	●	●	●	●	●	●	●	●	●	●	●
	Planet accessories	●	●	●	●	●	●	●	●	●	●	●	●	●	●	●	●	●	●	●

\* see website or full catalog      ● possible application      ● as an option with bevelled lip for particularly uneven floors

# Planet US – 8 mm only!

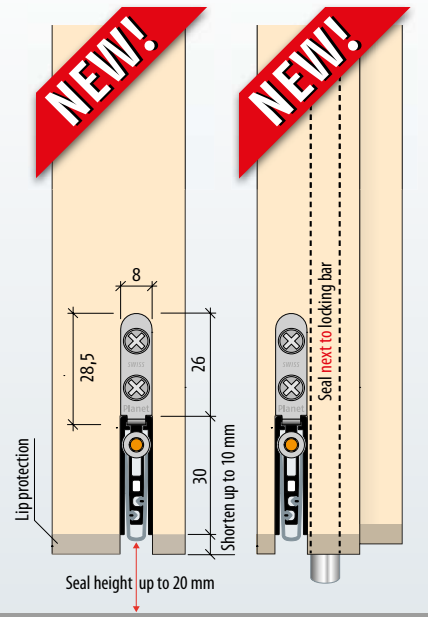


Profile dimension 8 x 30 ↓ 20

## Important features

- Seal height up to ↓ 20 mm
- For hinged single and double doors (seal next to flush bolt / driving bar)
- Especially for small doors
- Silicone lip protected by deeper rebate
- Unilateral release with parallel drop down
- Blocks out sound and light
- Does not drag on the floor
- With optimal sealing, sound reduction of up to **48 dB**
- Automatic compensation to inclined floors
- High-grade silicone lip, simple lift height adjustment
- Can be shortened to the next stock lengths
- Seal easily removed by detaching end brackets

VERSIONS			
US → RD   48 dB		US → FH + RD   48 dB	
Prod. code	Length mm	Prod. code	Length mm
23046	460	24046	460
23059	585	24059	585
23071	710	24071	710
23084	835	24084	835
23096	960	24096	960
23109	1085	24109	1085
23121	1210	24121	1210
23134	1335	24134	1335
23146	1460	24146	1460
23159	1585	24159	1585
23600	<6000	24600	<6000



## Option

- For uneven floors

Planet US



Planet assembly set TW/US



Planet US next to flush bolt / locking bar – no drill hole



# Planet TW – 8 mm only!

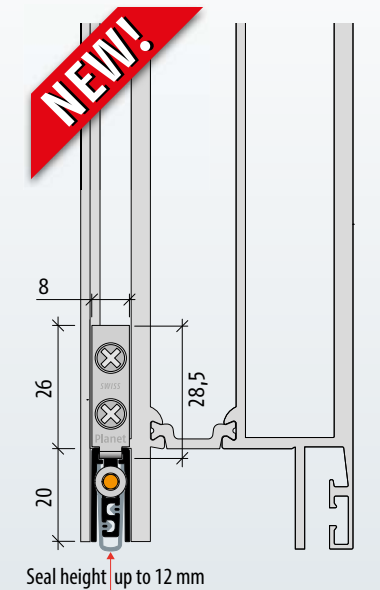


Profile dimension 8 x 20 ↓ 12

## Important features

- Seal height up to ↓ 12 mm
- Unilateral release with parallel drop down
- Does not drag on the floor
- Blocks out sound and light
- Automatic compensation to inclined floors
- With optimal sealing, sound reduction of up to **49 dB**
- High-grade silicone lip, simple lift height adjustment
- Can be shortened to the next stock lengths
- Seal easily removed by detaching end brackets

VERSIONS			
TW → RD   49 dB		TW → FH + RD   49 dB	
Prod. code	Length mm	Prod. code	Length mm
20046	460	21046	460
20059	585	21059	585
20071	710	21071	710
20084	835	21084	835
20096	960	21096	960
20109	1085	21109	1085
20121	1210	21121	1210
20134	1335	21134	1335
20146	1460	21146	1460
20159	1585	21159	1585
20600	<6000	21600	<6000



## Option

- For uneven floors

Planet TW



Planet assembly TW/US (metal)

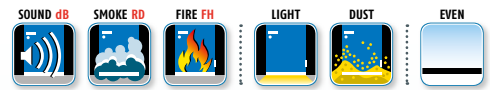


Option: for uneven floors





# Planet HS



Profile dimension 13 x 30 ↓ 22

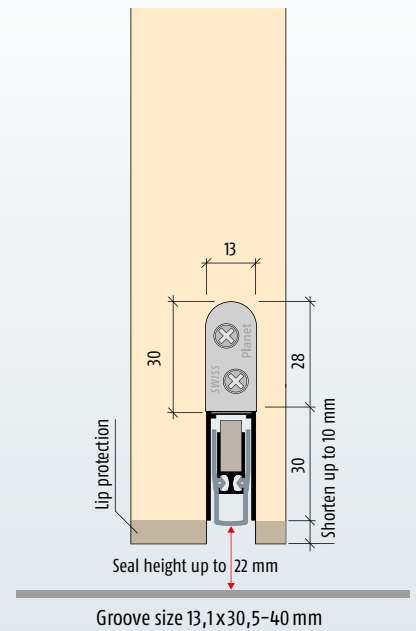
## Important features

- Seal height up to ↓ 22 mm
- Silicone lip protected by deeper rebate
- Door adjustable at bottom without removal
- Unilateral release with parallel drop down
- Does not drag on the floor
- Automatic compensation to inclined floors
- One groove width for any requirement
- Even for hinged double doors with flush bolt or driving bar
- With optimal sealing, sound reduction of up to **48 dB**
- High-grade silicone lip, simple lift height adjustment
- Can be shortened to the next stock lengths
- Seal easily removed by detaching end brackets

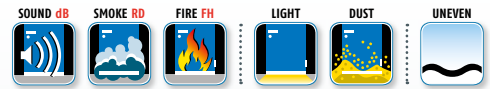
VERSIONS			
HS → RD   48 dB		HS → FH + RD   48 dB	
Prod. code	Length mm	Prod. code	Length mm
76034	335	77034	335
76046	460	77046	460
76059	585	77059	585
76071	710	77071	710
76084	835	77084	835
76096	960	77096	960
76109	1085	77109	1085
76121	1210	77121	1210
76134	1335	77134	1335
76146	1460	77146	1460
76600	<6000	77600	<6000

Planet HS

Assembly set HS



# Planet RH for uneven floors



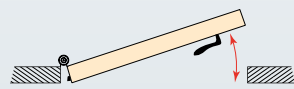
Profile dimension 13 x 30 ↓ 27

## Important features

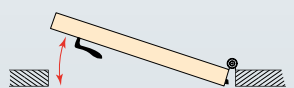
- Seal height up to ↓ 27 mm
- For humped, hollow, sloping and uneven floors
- Smooth bevelled silicone lip seal
- Compensation of inclined floor at 1000 mm door width: 15 mm
- Blocks out sound and light
- Unilateral release with parallel drop down
- Even for hinged double doors with flush bolt or driving bar
- With optimal sealing, sound reduction of up to **42 dB**
- Can be shortened to the next stock lengths
- Seal easily removed by detaching end brackets

VERSIONS			
RH → RD   42 dB		RH → FH + RD   42 dB	
Prod. code	Length mm	Prod. code	Length mm
88034 L   R	335	85034 L   R	335
88046 L   R	460	85046 L   R	460
88059 L   R	585	85059 L   R	585
88071 L   R	710	85071 L   R	710
88084 L   R	835	85084 L   R	835
88096 L   R	960	85096 L   R	960
88109 L   R	1085	85109 L   R	1085
88121 L   R	1210	85121 L   R	1210
88134 L   R	1335	85134 L   R	1335
88146 L   R	1460	85146 L   R	1460
88600 L   R	<6000	85600 L   R	<6000

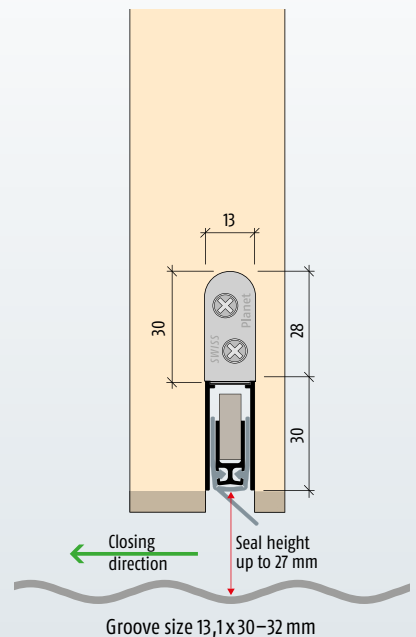
Order information: **DIN R** (left handed)



Order information: **DIN L** (right handed)

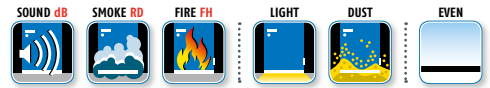


Planet RH





# Planet FT



Profile dimension 13 x 30 ↓ 22

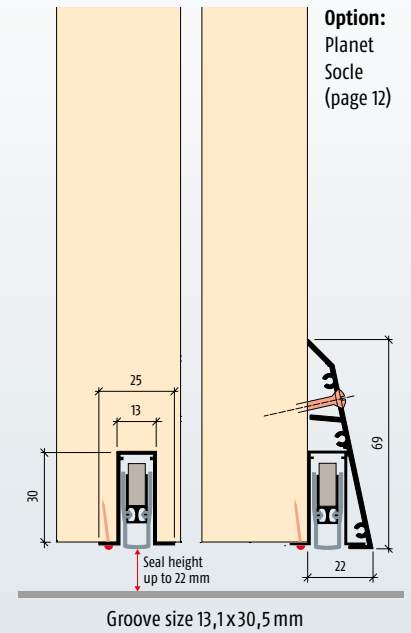
## Important features

- Seal height up to ↓ 22 mm
- Unilateral release with parallel drop down
- Does not drag on the floor
- Automatic compensation to inclined floors
- One groove width for any requirement
- Even for hinged double doors with flush bolt or driving bar
- With optimal sealing, sound reduction of up to **48 dB**
- High-grade silicone lip, simple lift height adjustment
- Can be shortened to the next stock lengths

## Option

Mounting with Planet Socle (page 12)

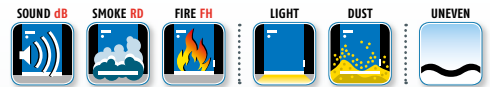
VERSIONS			
FT → RD   48 dB		FT → FH + RD   48 dB	
Prod. code	Length mm	Prod. code	Length mm
70035	350	71035	350
70045	450	71045	450
70055	550	71055	550
70065	650	71065	650
70075	750	71075	750
70085	850	71085	850
70095	950	71095	950
70105	1050	71105	1050
70115	1150	71115	1150
70125	1250	71125	1250
70135	1350	71135	1350
70145	1450	71145	1450
70600	<6000	71600	<6000



Planet FT



# Planet RF for uneven floors



Profile dimension 13 x 30 ↓ 27

## Important features

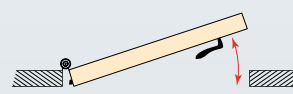
- Seal height up to ↓ 27 mm
- For humped, hollow, sloping and uneven floors
- Smooth bevelled silicone lip seal
- Compensation of inclined floor at 1000 mm door width: 15 mm
- Blocks out sound and light
- Unilateral release with parallel drop down
- Even for hinged double doors with flush bolt or driving bar
- With optimal sealing, sound reduction of up to **42 dB**
- Can be shortened to the next stock lengths

## Option

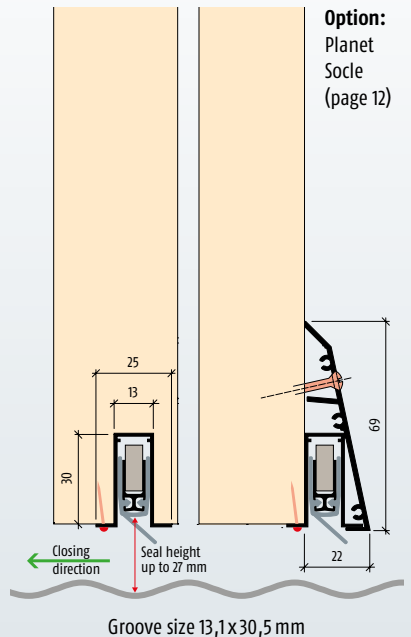
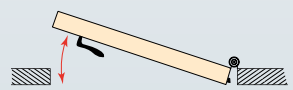
Mounting with Planet Socle (page 12)

VERSIONS			
RF → RD   42 dB		RF → FH + RD   42 dB	
Prod. code	Length mm	Prod. code	Length mm
86035 L   R	350	84035 L   R	350
86045 L   R	450	84045 L   R	450
86055 L   R	550	84055 L   R	550
86065 L   R	650	84065 L   R	650
86075 L   R	750	84075 L   R	750
86085 L   R	850	84085 L   R	850
86095 L   R	950	84095 L   R	950
86105 L   R	1050	84105 L   R	1050
86115 L   R	1150	84115 L   R	1150
86125 L   R	1250	84125 L   R	1250
86135 L   R	1350	84135 L   R	1350
86145 L   R	1450	84145 L   R	1450
86600 L   R	<6000	84600 L   R	<6000

Order information: **DIN R** (left handed)



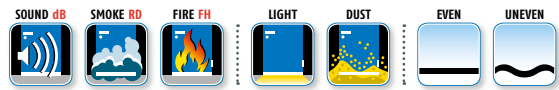
Order information: **DIN L** (right handed)



Planet RF



# Planet KT



Profile dimension 13 x 25 ↓ 18



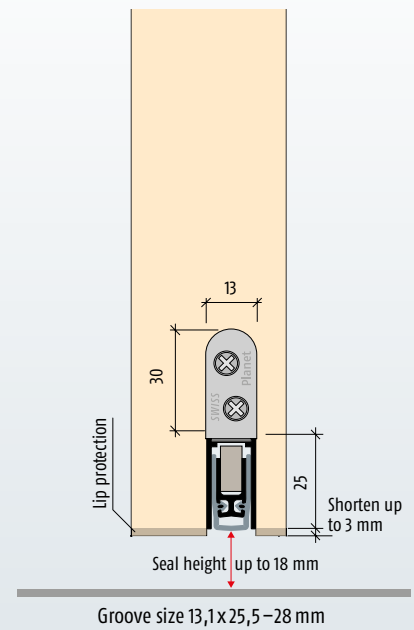
## Important features

- Seal height up to ↓ 18 mm
- Silicone lip protected by deeper rebate
- Door adjustable at bottom without removal
- Unilateral release with parallel drop down
- Does not drag on the floor
- Automatic compensation to inclined floors
- Even for hinged double doors with flush bolt or driving bar
- With optimal sealing, sound reduction of up to 48 dB
- High-grade silicone lip, simple lift height adjustment
- Can be shortened to the next stock lengths
- Seal easily removed by detaching end brackets

## Option

- For uneven floor

VERSIONS			
KT → RD   48 dB		KT → FH + RD   48 dB	
Prod. code	Length mm	Prod. code	Length mm
30034	335	31034	335
30046	460	31046	460
30059	585	31059	585
30071	710	31071	710
30084	835	31084	835
30096	960	31096	960
30109	1085	31109	1085
30121	1210	31121	1210
30134	1335	31134	1335
30146	1460	31146	1460
30600	<6000	31600	<6000



Planet KT



Assembly set HS



Option: for uneven floors



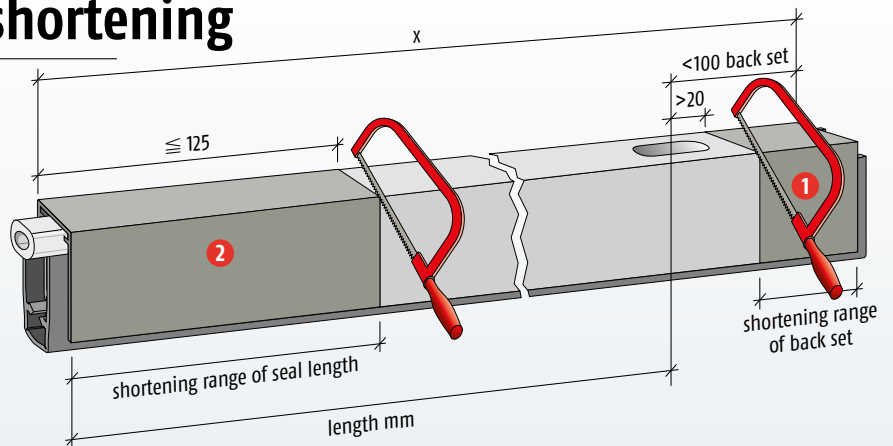
# Planet TR125 Double-shortening

## Important features

- Shelf life related to dealers and system manufacturers
- Prepared drill hole, factory-made
- Adaptable back set
- Can be shortened by 125 mm or 100 mm
- Applicable as DIN L and DIN R
- All features of the seal are unchanged
- Available for order: Planet FT, HS, RH, RF, MF, RO, RS, PU

## Correct order of shortening

- 1 At first shorten the back set
- 2 After that shorten the seal length



## Order information for option double-shortening with suitable seals

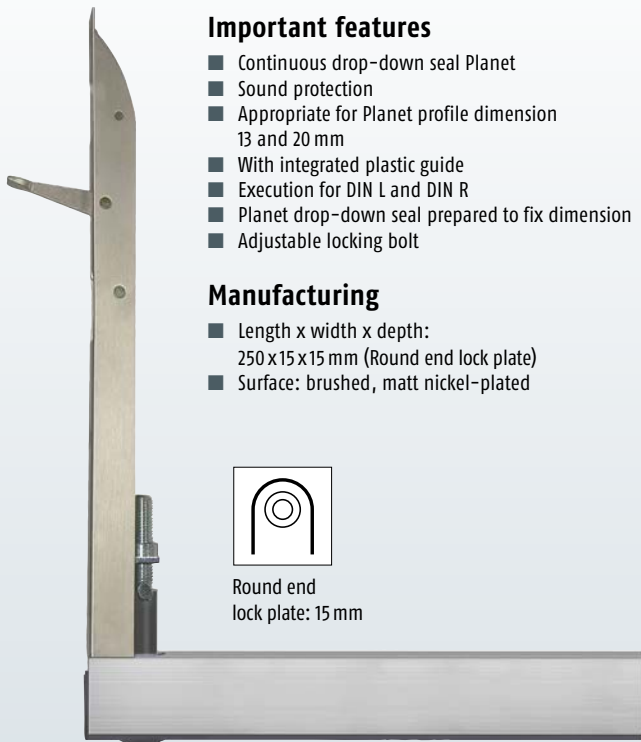
Planet double-shortening	Planet type	RD	FH+RD	Length mm	Back set mm	X mm	Possible drill hole
Product code 900390	HS	●	●	335 - 1460	20 - 100		∅ 5 x 13 mm
	RH	●	●	335 - 1460	20 - 100		∅ 5 x 13 mm
	FT	●	●	350 - 1350	20 - 100		∅ 5 x 13 mm
	RF	●	●	350 - 1350	20 - 100		∅ 5 x 13 mm
	MF	●	●	460 - 1585	20 - 100		∅ 5 x 13 mm, ∅ 10,8 mm
	RO	●	●	460 - 1585	20 - 100		∅ 5 x 13 mm, ∅ 10,8 mm
	RS	●	●	460 - 1585	20 - 100		∅ 5 x 13 mm, ∅ 10,8 mm
	PU	●	●	460 - 1585	20 - 100		∅ 5 x 13 mm, ∅ 10,8 mm

## Example

Product code 900390	HS	● FH+RD	960 mm	⊕ 45 mm	⊖ 1005	∅ 5 x 13 mm
---------------------	----	---------	--------	---------	--------	-------------

→ Order specification: 900390 + 77096, back set 45 mm, drill hole 5 x 13 mm

# Planet KR Flush bolt and driving bar rods



## Important features

- Continuous drop-down seal Planet
- Sound protection
- Appropriate for Planet profile dimension 13 and 20 mm
- With integrated plastic guide
- Execution for DIN L and DIN R
- Planet drop-down seal prepared to fix dimension
- Adjustable locking bolt

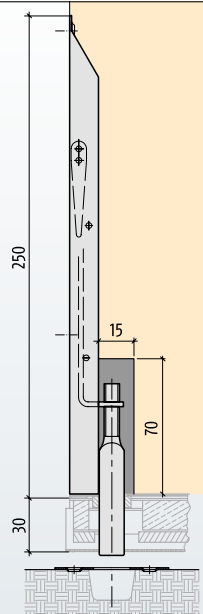
## Manufacturing

- Length x width x depth: 250 x 15 x 15 mm (Round end lock plate)
- Surface: brushed, matt nickel-plated



Round end lock plate: 15 mm

Planet Flush bolt with Planet HS drill hole  $\varnothing 5 \times 13$  mm



Planet KR round lock plate, width 15 mm with Planet HS in the stationary wing.



Planet KR Flush bolt, applicable on the bottom and on top with round lock plate 15 mm.

## KR FLUSH BOLT

### KR Round end lock plate

Prod. code

4010 (on the bottom)

4011 (on the top)

# Planet drill hole $\varnothing 5 \times 13$ mm and $\varnothing 10,8$ mm



Profile dimension 13 + 19,8

## Order information

- Article number
- Fixed dimension
- Back set from 20 up to 100 mm (order information)
- DIN L or DIN R

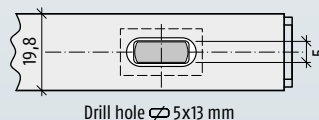
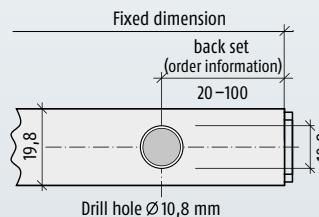
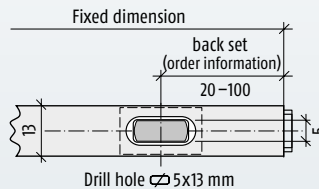
Planet HS drill hole  $\varnothing 5 \times 13$  mm



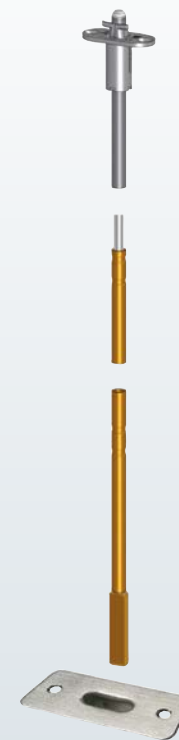
Planet MF drill hole  $\varnothing 10,8$  mm



PLANET DRILL HOLE	
Drill hole $\varnothing 5 \times 13$ mm	Drill hole $\varnothing 10,8$ mm
Prod. code	Prod. code
900190 L R (asymmetric)	900280 L R
900601 (symmetric)	
900604 (for MinE only)	



Driving bar rods supplied by lock manufacturers: WILKA, BKS, FUHR, MSL, BMH, STRENGER, etc.



Planet BM  $\varnothing 5 \times 13$  mm narrow, floor recess plate

# Planet Socle face fixed (for new and existing doors)



Profile dimension 22 x 69

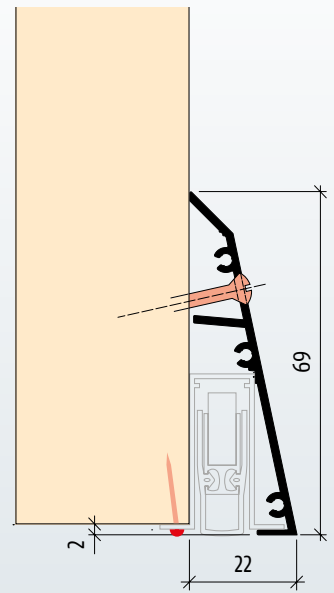
## Important features

- Appropriate for Planet FT, RF
- Ideal retrofit kit for existing doors
- Simple assembly, attached on the doors
- The Planet Socle is used on any door without possibility to machine a groove, e.g. steel or aluminum doors. A quick and simple assembly, it can be done even in case of an old building refurbishment.

## Option

- Silver anodised finish EVI
- Socle for Planet GH with special steel on request

VERSIONS	
Planet Socle → fit to Planet FT, RF (GH on request)	
Prod. code	Length mm
19034	350
19046	450
19055	550
19065	650
19075	750
19085	850
19095	950
19105	1050
19115	1150
19125	1250
19135	1350
19145	1450
19600	<6000



Planet Socle with Planet FT



Including bolts / cover plate



# Planet SL (Sliding doors)



Profile dimension 21,8 x 30 ↓ 18

## Important features

- Seal height from ↓ 5–18 mm
- Planet SL for sliding doors
- Compact, space-saving solution with integrated floor guide groove
- Floor guide enclosed, adjustable
- Lock-side release with parallel drop down
- Automatic compensation to inclined floors
- Sound reduction to 42 dB (at 7 mm clearance door to floor)
- High-grade silicone lip, simple lift height adjustment
- Can be shortened to the next stock lengths
- Seal easily removed by detaching end brackets

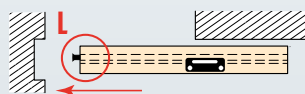
VERSIONS			
SL → RD   42 dB		SL → FH + RD   42 dB	
Prod. code	Length mm	Prod. code	Length mm
73059 L   R	585	74059 L   R	585
73071 L   R	710	74071 L   R	710
73084 L   R	835	74084 L   R	835
73096 L   R	960	74096 L   R	960
73109 L   R	1085	74109 L   R	1085
73121 L   R	1210	74121 L   R	1210
73134 L   R	1335	74134 L   R	1335
73146 L   R	1460	74146 L   R	1460
73600 L   R	<6000	74600 L   R	<6000

Select L or R when ordering – see diagram below

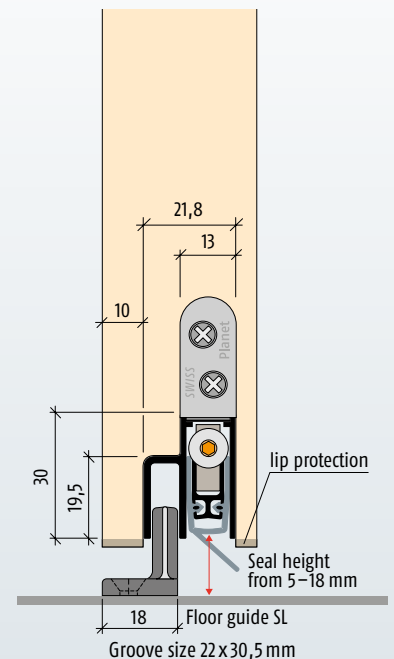
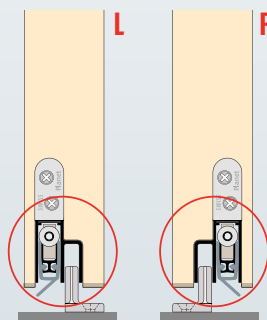
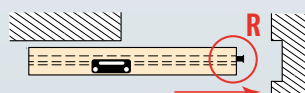
Planet SL



Planet SL assembly L, with floor guide, release on lock side



Planet SL assembly R, with floor guide, release on lock side





# Planet MinE-F/S | MinE-F/V



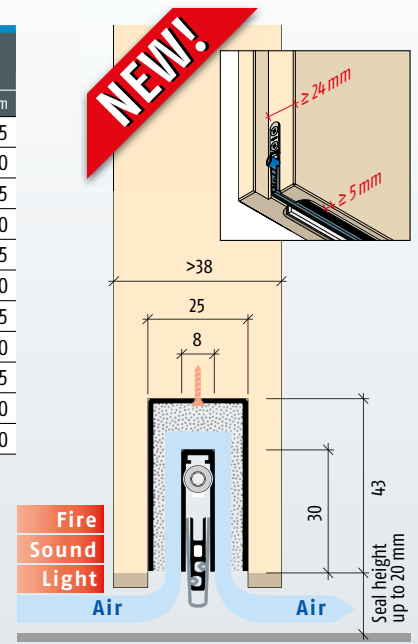
Profile dimension 8x30 und 25x43 ↓ 20

(F=For rebated doors, S=Soundproof, V=Ventilation)

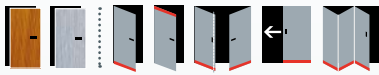
## Important features

- Seal height up to ↓ 20 mm
- Blocking of sound while allowing air to flow through
- Sound absorption at an air gap of 7 mm:  
MinE-F/S: 27 dB | MinE-F/V: 23 dB
- Max. air passage MinE-F/S: 200 m³/h | MinE-F/V: 250 m³/h
- Readings (with door width 1050 mm):  
MinE-F/S: 30 m³/h with 3,9 Pa | MinE-F/V: 40 m³/h with 3,2 Pa
- Air circulation / air compensation
- High-grade silicone lip, simple lift height adjustment
- Automatic compensation to inclined floors
- Can be shortened to the next stock lengths
- Seal easily removed by detaching end brackets

VERSIONS			
MinE-F/S → 27 dB		MinE-F/V → 23 dB	
Prod. code	Length mm	Prod. code	Length mm
40034F	335	44034F	335
40046F	460	44046F	460
40059F	585	44059F	585
40071F	710	44071F	710
40084F	835	44084F	835
40096F	960	44096F	960
40109F	1085	44109F	1085
40121F	1210	44121F	1210
40134F	1335	44134F	1335
40146F	1460	44146F	1460
40200F	<2000	44200F	<2000



# Planet MinE-S | MinE-V



Profile dimension 13x30 und 30x43 ↓ 27

(S=Soundproof, V=Ventilation)

## Important features

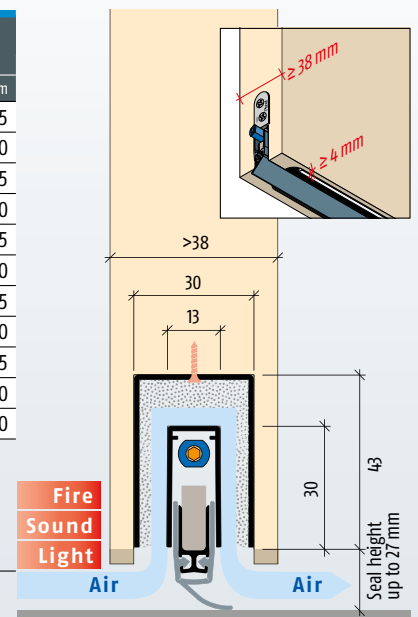
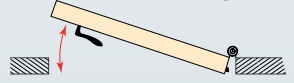
- Seal height up to ↓ 27 mm
- Blocking of sound while allowing air to flow through
- Sound absorption at an air gap of 7 mm:  
MinE-S: 27 dB | MinE-V: 23 dB
- Max. air passage MinE-S: 200 m³/h | MinE-V: 250 m³/h
- Readings (with door width 1050 mm):  
MinE-S: 30 m³/h with 3,9 Pa | MinE-V: 40 m³/h with 3,2 Pa
- Air circulation / air compensation
- High-grade silicone lip, simple lift height adjustment
- Compensation of inclined floor at 1000 mm door width: 15 mm
- Can be shortened to the next stock lengths
- Seal easily removed by detaching end brackets

VERSIONS			
MinE-S → 27 dB		MinE-V → 23 dB	
Prod. code	Length mm	Prod. code	Length mm
40034L R	335	44034L R	335
40046L R	460	44046L R	460
40059L R	585	44059L R	585
40071L R	710	44071L R	710
40084L R	835	44084L R	835
40096L R	960	44096L R	960
40109L R	1085	44109L R	1085
40121L R	1210	44121L R	1210
40134L R	1335	44134L R	1335
40146L R	1460	44146L R	1460
40200L R	<2000	44200L R	<2000

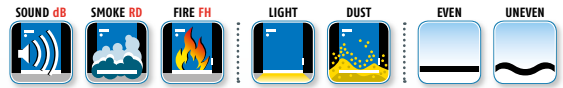
Order information: DIN R (left handed)



Order information: DIN L (right handed)



# Planet MF for aluminum/metal, wood



Profile dimension 19,8 x 20 ↓ 16

## Important features

- Seal height up to ↓ 16 mm
- Unilateral release with parallel drop down
- Does not drag on the floor
- Automatic compensation to inclined floors
- Even for hinged double doors with flush bolt or driving bar
- Sound reduction to 50 dB (at 7 mm clearance door to floor)
- High-grade silicone lip, simple lift height adjustment
- Can be shortened to the next stock lengths
- Seal easily removed by detaching end brackets

## Option

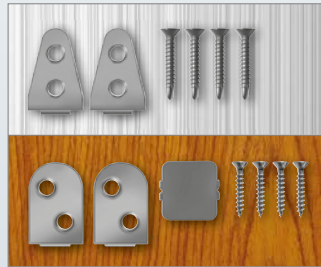
- For uneven floors

VERSIONS			
MF → RD   50 dB		MF → FH + RD   50 dB	
Prod. code	Length mm	Prod. code	Length mm
50034	335	51034	335
50046	460	51046	460
50059	585	51059	585
50071	710	51071	710
50084	835	51084	835
50096	960	51096	960
50109	1085	51109	1085
50121	1210	51121	1210
50134	1335	51134	1335
50146	1460	51146	1460
50159	1585	51159	1585
50600	<6000	51600	<6000

Planet MF

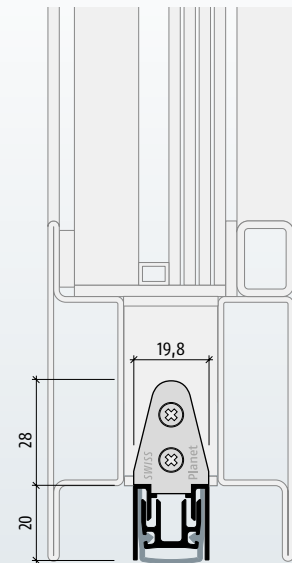


Assembly set



Planet MF for metal doors (standard)

Planet MF for wooden doors (option)



Seal height up to 16 mm

Groove size 20 x 20,5-25 mm



# Planet RO for metal



Profile dimension 19,8 | 36 x 20 ↓ 16

## Important features

- Seal height up to ↓ 16 mm
- Unilateral release with parallel drop down
- Does not drag on the floor
- Automatic compensation to inclined floors
- Even for hinged double doors with flush bolt or driving bar
- Sound reduction to 50 dB (at 7 mm clearance door to floor)
- High-grade silicone lip, simple lift height adjustment
- Can be shortened to the next stock lengths

## Option

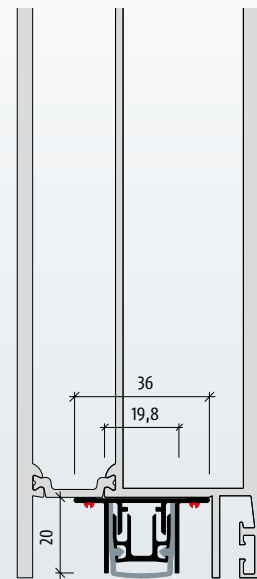
- For uneven floors

VERSIONS			
RO → RD   50 dB		RO → FH + RD   50 dB	
Prod. code	Length mm	Prod. code	Length mm
56034	335	57034	335
56046	460	57046	460
56059	585	57059	585
56071	710	57071	710
56084	835	57084	835
56096	960	57096	960
56109	1085	57109	1085
56121	1210	57121	1210
56134	1335	57134	1335
56146	1460	57146	1460
56159	1585	57159	1585
56600	<6000	57600	<6000

Planet RO



Option: for uneven floors



Seal height up to 16 mm



# Planet RS for PVC




Profile dimension 20,8 | 24 x 20 ↓ 16



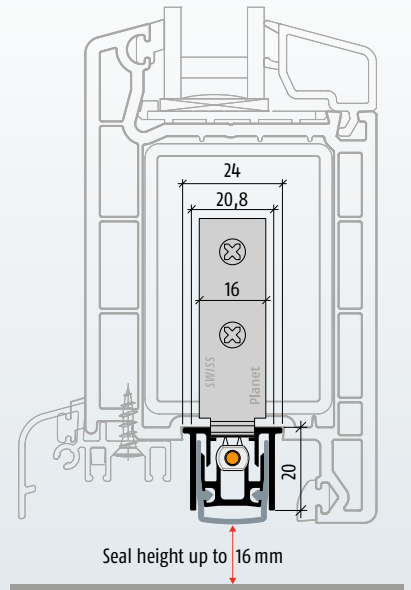
## Important features

- Fixing bracket suitable for ↓ 16 mm Euro groove
- Suitable for 24 mm entry door groove
- Unilateral release with parallel drop down
- Does not drag on the floor
- Automatic compensation to inclined floors
- Even for hinged double doors with flush bolt or driving bar
- Sound reduction to 50 dB (at 7 mm clearance door to floor)
- High-grade silicone lip, simple lift height adjustment
- Mounting set for all popular system manufacturers
- Can be shortened to the next stock length

## Option

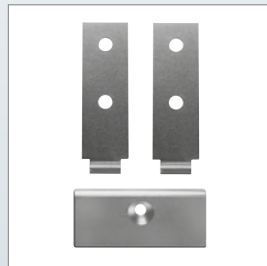
- For uneven floors 

VERSIONS			
RS → RD   50 dB		RS → FH + RD   50 dB	
Prod. code	Length mm	Prod. code	Length mm
55034	335	59034	335
55046	460	59046	460
55059	585	59059	585
55071	710	59071	710
55084	835	59084	835
55096	960	59096	960
55109	1085	59109	1085
55121	1210	59121	1210
55134	1335	59134	1335
55146	1460	59146	1460
55159	1585	59159	1585
55600	<6000	59600	<6000



Planet RS

Assembly set



# Planet PU for metal, wood




Profile dimension 19,8 x 20 ↓ 16



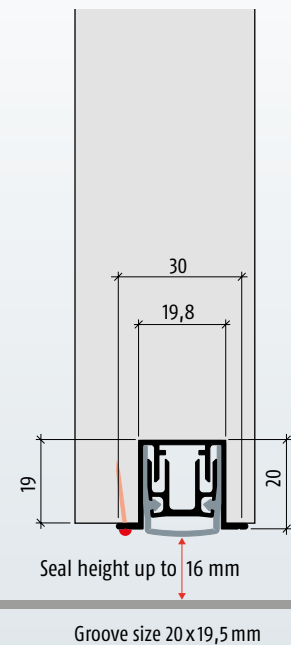
## Important features

- Seal height up to ↓ 16 mm
- Unilateral release with parallel drop-down
- Does not drag on the floor
- Automatic compensation to inclined floors
- Even for hinged double doors with flush bolt or driving bar
- Sound reduction to 50 dB (at 7 mm space to the floor)
- High-grade silicone lip, simple lift height adjustment
- Can be shortened to the next stock length

## Option

- For uneven floors 

VERSIONS			
PU → RD   50 dB		PU → FH + RD   50 dB	
Prod. code	Length mm	Prod. code	Length mm
53034 L   R	335	54034 L   R	585
53046 L   R	460	54046 L   R	585
53059 L   R	585	54059 L   R	585
53071 L   R	710	54071 L   R	710
53084 L   R	835	54084 L   R	835
53096 L   R	960	54096 L   R	960
53109 L   R	1085	54109 L   R	1085
53121 L   R	1210	54121 L   R	1210
53134 L   R	1335	54134 L   R	1335
53146 L   R	1460	54146 L   R	1460
53159 L   R	1585	54159 L   R	1585
53600 L   R	<6000	54600 L   R	<6000

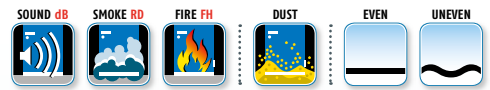


Planet PU

Option: for uneven floors



# Planet KG-S narrow



Profile dimension 11,5 x 18 ↓ 16

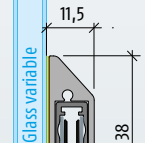
## Important features

- Seal height up to ↓ 16 mm
- Planet KG-S face fixed with UV adhesive or double-sided adhesive tape
- Planet drop-down seal cemented in the S protection profile
- Unilateral release with parallel drop down
- Does not drag on the floor
- Automatic compensation to inclined floors
- Sound reduction to **48 dB** (at 7 mm floor to door clearance)
- Can be shortened to the next stock lengths

## Option

- For uneven floors
- Fire-retardant (FH) + smoke-shielding (RD) + sound protection (dB)

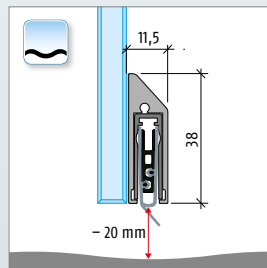
VERSIONS			
KG-S narrow → RD   48 dB		KG-S narrow → RD   48 dB	
Silver anodised finish EV1		Stainless steel effect	
Prod. code	Length mm	Prod. code	Length mm
38046-Ss	459	38046-SsX	459
38059-Ss	584	38059-SsX	584
38071-Ss	709	38071-SsX	709
38084-Ss	834	38084-SsX	834
38096-Ss	959	38096-SsX	959
38109-Ss	1084	38109-SsX	1084
38121-Ss	1209	38121-SsX	1209
38134-Ss	1334	38134-SsX	1334
38146-Ss	1459	38146-SsX	1459
38200-Ss	<6000	38200-SsX	<6000



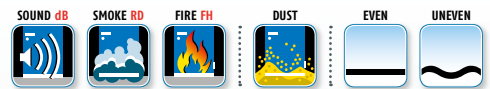
Seal height up to 16 mm

Planet KG-S narrow

Option: for uneven floors



# Planet KG-SM-Set narrow



Profile dimension 11,5 x 38 ↓ 16

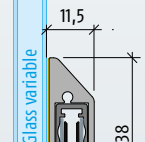
## Important features

- Seal height up to ↓ 16 mm
- Planet KG-SM-Set face fixed with UV adhesive or double-sided adhesive tape
- Planet drop-down seal cemented in the S protection profile
- Unilateral release with parallel drop down
- Does not drag on the floor
- Automatic compensation to inclined floors
- Sound reduction to **48 dB** (at 7 mm floor to door clearance)
- Can be shortened to the next stock lengths

## Option

- For uneven floors
- Fire-retardant (FH) + smoke-shielding (RD) + sound protection (dB)

VERSIONS			
KG-SM-Set narrow → RD   48 dB		KG-SM-Set narrow → RD   48 dB	
Silver anodised finish EV1		Stainless steel effect	
Prod. code	Length mm	Prod. code	Length mm
38046-SMs	459	38046-SMsX	459
38059-SMs	584	38059-SMsX	584
38071-SMs	709	38071-SMsX	709
38084-SMs	834	38084-SMsX	834
38096-SMs	959	38096-SMsX	959
38109-SMs	1084	38109-SMsX	1084
38121-SMs	1209	38121-SMsX	1209
38134-SMs	1334	38134-SMsX	1334
38146-SMs	1459	38146-SMsX	1459
38200-SMs	<6000	38200-SMsX	<6000



Seal height up to 16 mm

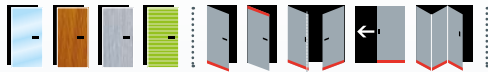
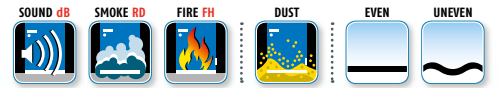
Planet KG-S narrow

Complete Planet KG-SM-Set narrow





# Planet KG-S



Profile dimension 16,5 x 35 ↓ 18

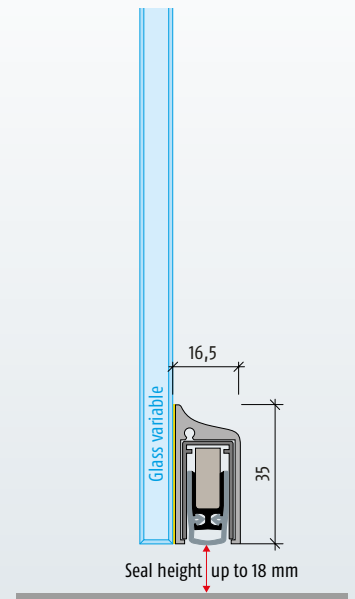
## Important features

- Seal height up to ↓ 18 mm
- Planet KG-S face fixed with UV adhesive or double-sided adhesive tape
- Planet drop-down seal cemented in the S protection profile
- Unilateral release with parallel drop down
- Does not drag on the floor
- Automatic compensation to inclined floors
- Sound reduction to **48 dB** (at 7 mm floor to door clearance)
- Can be shortened to the next stock lengths

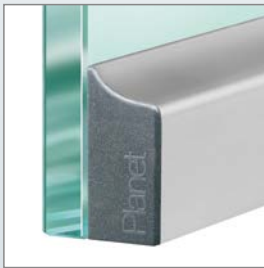
## Option

- For uneven floors
- Fire-retardant (FH) + smoke-shielding (RD) + sound protection (dB)

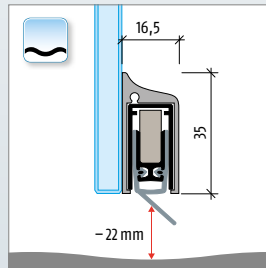
VERSIONS			
KG-S → RD   48 dB		KG-S → RD   48 dB	
Silver anodised finish EV1		Stainless steel effect	
Prod. code	Length mm	Prod. code	Length mm
38046-S	459	38046-SX	459
38059-S	584	38059-SX	584
38071-S	709	38071-SX	709
38084-S	834	38084-SX	834
38096-S	959	38096-SX	959
38109-S	1084	38109-SX	1084
38121-S	1209	38121-SX	1209
38134-S	1334	38134-SX	1334
38146-S	1459	38146-SX	1459
38200-S	<6000	38200-SX	<6000



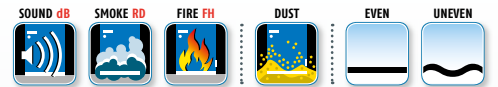
Planet KG-S



Option: for uneven floors



# Planet KG-SM-Set



Profile dimension 16,5 x 35 ↓ 18

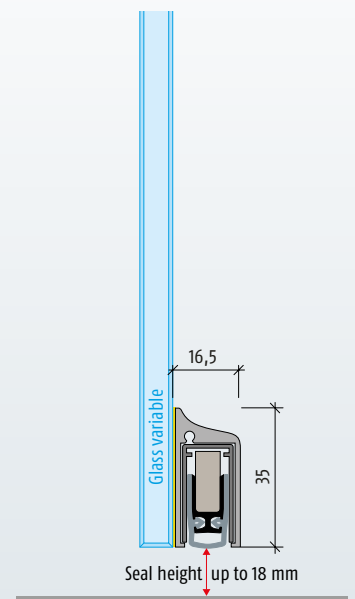
## Important features

- Seal height up to ↓ 18 mm
- Planet KG-S face fixed with UV adhesive or double-sided adhesive tape
- Planet drop-down seal cemented in the S protection profile
- Unilateral release with parallel drop down
- Does not drag on the floor
- Automatic compensation to inclined floors
- Sound reduction to **48 dB** (at 7 mm floor to door clearance)
- Can be shortened to the next stock lengths

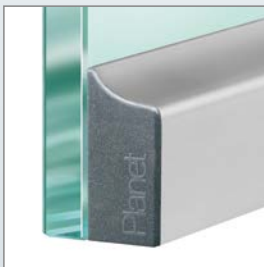
## Option

- For uneven floors
- Fire-retardant (FH) + smoke-shielding (RD) + sound protection (dB)

VERSIONS			
KG-SM-Set → RD   48 dB		KG-SM-Set → RD   48 dB	
Silver anodised finish EV1		Stainless steel effect	
Prod. code	Length mm	Prod. code	Length mm
38046-SM	459	38046-SMX	459
38059-SM	584	38059-SMX	584
38071-SM	709	38071-SMX	709
38084-SM	834	38084-SMX	834
38096-SM	959	38096-SMX	959
38109-SM	1084	38109-SMX	1084
38121-SM	1209	38121-SMX	1209
38134-SM	1334	38134-SMX	1334
38146-SM	1459	38146-SMX	1459
38200-SM	<6000	38200-SMX	<6000



Planet KG-S



Complete Planet KG-SM-Set



# Planet KG-F8 narrow



Profile dimension 11,5 x 46 | 52 ↓ 16



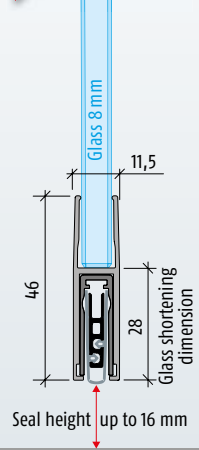
## Important features

- Seal height up to ↓ 16 mm
- For hinged single and double frameless glass doors, 8 mm and VSG
- Drop-down seal for pushing on and bonding
- Unilateral release with parallel drop down
- Does not drag on the floor
- Automatic compensation to inclined floors
- Sound reduction to **48 dB** (at 7 mm clearance door to floor)
- Can be shortened to the next stock lengths

## Option

- For uneven floors
- Fire-retardant (FH) + smoke-shielding (RD) + sound protection (dB)

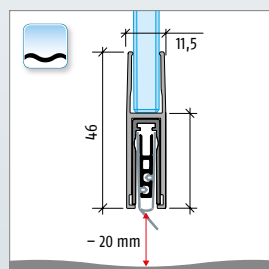
VERSIONS		VERSIONS	
KG-F8 narrow → RD   48 dB		KG-F8 narrow → RD   48 dB	
Silver anodised finish EV1		Stainless steel effect	
Prod. code	Length mm	Prod. code	Length mm
38046-F8s	459	38046-F8sX	459
38059-F8s	584	38059-F8sX	584
38071-F8s	709	38071-F8sX	709
38084-F8s	834	38084-F8sX	834
38096-F8s	959	38096-F8sX	959
38109-F8s	1084	38109-F8sX	1084
38121-F8s	1209	38121-F8sX	1209
38134-F8s	1334	38134-F8sX	1334
38146-F8s	1459	38146-F8sX	1459
38160-F8s	<6000	38160-F8sX	<6000



Planet KG-F8 narrow



Option: for uneven floors



# Planet KG-F10 | F12



Profile dimension 16,5 x 46 | 52 ↓ 18



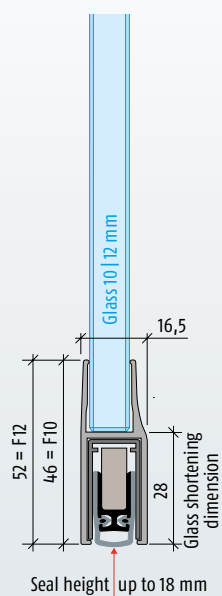
## Important features

- Seal height up to ↓ 18 mm
- For hinged single and double frameless glass doors, 10 and 12 mm thick
- Drop-down seal for pushing on and bonding
- Unilateral release with parallel drop down
- Does not drag on the floor
- Automatic compensation to inclined floors
- Sound reduction to **48 dB** (at 7 mm clearance door to floor)
- Can be shortened to the next stock lengths

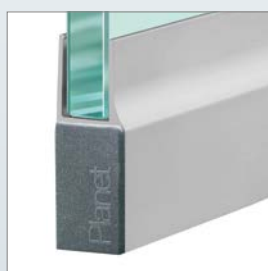
## Option

- For uneven floors
- Fire-retardant (FH) + smoke-shielding (RD) + sound protection (dB)

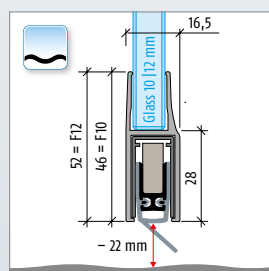
VERSIONS		VERSIONS	
KG-F10   F12 → RD   48 dB		KG-F10   F12 → RD   48 dB	
Silver anodised finish EV1		Stainless steel effect	
Prod. code	Length mm	Prod. code	Length mm
38046-F10   F12	459	38046-F10X   F12X	459
38059-F10   F12	584	38059-F10X   F12X	584
38071-F10   F12	709	38071-F10X   F12X	709
38084-F10   F12	834	38084-F10X   F12X	834
38096-F10   F12	959	38096-F10X   F12X	959
38109-F10   F12	1084	38109-F10X   F12X	1084
38121-F10   F12	1209	38121-F10X   F12X	1209
38134-F10   F12	1334	38134-F10X   F12X	1334
38146-F10   F12	1459	38146-F10X   F12X	1459
38160-F10   F12	<6000	38160-F10X   F12X	<6000



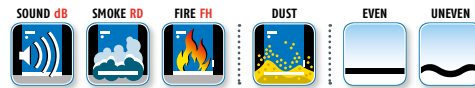
Planet KG-F10 | F12



Option: for uneven floors



# Planet KG-A8 | A10



Profile dimension 16,5 x 35 ↓ 18



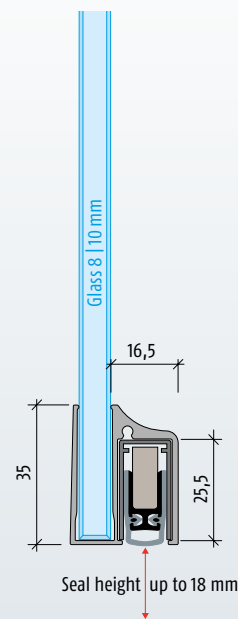
## Important features

- Seal height up to ↓ 18 mm
- For hinged single and double frameless glass doors, 8 and 10 mm thick
- Drop-down seal for pushing on and bonding
- Unilateral release with parallel drop down
- Does not drag on the floor
- Automatic compensation to inclined floors
- Sound reduction to **48 dB** (at 7 mm clearance door to floor)
- Can be shortened to the next stock lengths

## Option

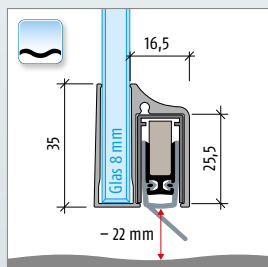
- For uneven floors
- Fire-retardant (FH) + smoke-shielding (RD) + sound protection (dB)

VERSIONS			
KG-A8   A10 → RD   48 dB		KG-A8   A10 → RD   48 dB	
Silver anodised finish EV1		Stainless steel effect	
Prod. code	Length mm	Prod. code	Length mm
38046-A8   A10	459	38046-A8X   A10X	459
38059-A8   A10	584	38059-A8X   A10X	584
38071-A8   A10	709	38071-A8X   A10X	709
38084-A8   A10	834	38084-A8X   A10X	834
38096-A8   A10	959	38096-A8X   A10X	959
38109-A8   A10	1084	38109-A8X   A10X	1084
38121-A8   A10	1209	38121-A8X   A10X	1209
38134-A8   A10	1334	38134-A8X   A10X	1334
38146-A8   A10	1459	38146-A8X   A10X	1459
38200-A8   A10	<6000	38200-A8X   A10X	<6000

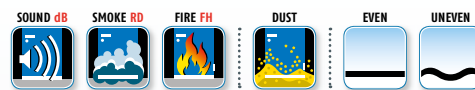


Planet KG-A10

Option: for uneven floors



# Planet KG-D8 | D10



Profile dimension 16,5 x 28 | 35 ↓ 18



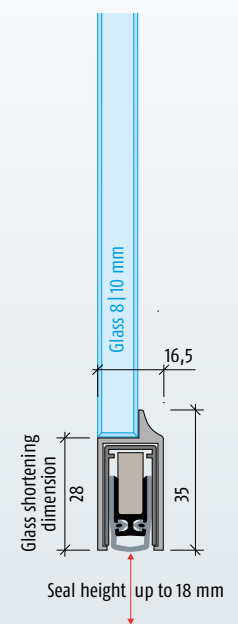
## Important features

- Seal height up to ↓ 18 mm
- For hinged single and double frameless glass doors, 8-10mm thick
- Seal cemented in the D8 protection profile
- Unilateral release with parallel drop down
- Does not drag on the floor
- Automatic compensation to inclined floors
- Sound reduction to **48 dB** (at 7 mm clearance door to floor)
- Can be shortened to the next stock lengths

## Option

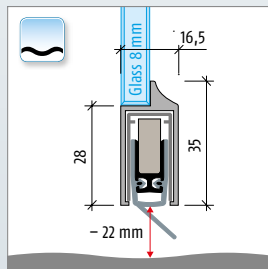
- For uneven floors
- Fire-retardant (FH) + smoke-shielding (RD) + sound protection (dB)

VERSIONS			
KG-D8   D10 → RD   48 dB		KG-D8   D10 → RD   48 dB	
Silver anodised finish EV1		Stainless steel effect	
Prod. code	Length mm	Prod. code	Length mm
38046-D8   D10	459	38046-D8X   D10X	459
38059-D8   D10	584	38059-D8X   D10X	584
38071-D8   D10	709	38071-D8X   D10X	709
38084-D8   D10	834	38084-D8X   D10X	834
38096-D8   D10	959	38096-D8X   D10X	959
38109-D8   D10	1084	38109-D8X   D10X	1084
38121-D8   D10	1209	38121-D8X   D10X	1209
38134-D8   D10	1334	38134-D8X   D10X	1334
38146-D8   D10	1459	38146-D8X   D10X	1459
38200-D8   D10	<6000	38200-D8X   D10X	<6000

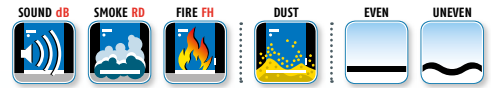


Planet KG-D10

Option: for uneven floors



# Planet KG-SL10 (Sliding doors)



Profile dimension 25 x 46 ↓ 18



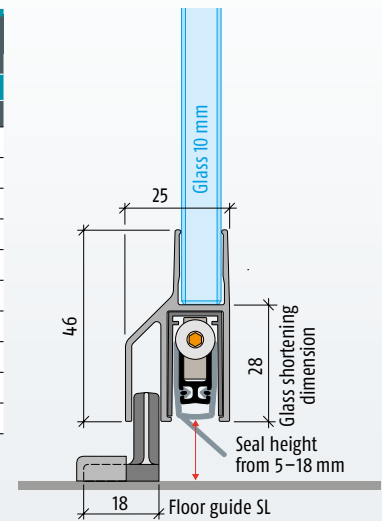
## Important features

- Seal height from ↓ 5–18 mm
- For all-glass sliding doors with a glass thickness of 10 mm
- Drop-down seal for pushing on and bonding
- Unilateral release with parallel drop down
- Does not drag on the floor
- Sound reduction to **42 dB** (at 7 mm floor to door clearance)
- Can be shortened to the next stock lengths

## Option

- Fire-retardant (FH) + smoke-shielding (RD) + sound protection (dB)

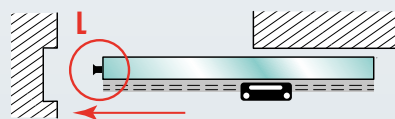
VERSIONS			
KG-SL10 → RD   42 dB		KG-SL10 → RD   42 dB	
Silver anodised finish EV1		Stainless steel effect	
Prod. code	Length mm	Prod. code	Length mm
37046-SL10L R	459	37046-SL10XL R	459
37059-SL10L R	584	37059-SL10XL R	584
37071-SL10L R	709	37071-SL10XL R	709
37084-SL10L R	834	37084-SL10XL R	834
37096-SL10L R	959	37096-SL10XL R	959
37109-SL10L R	1084	37109-SL10XL R	1084
37121-SL10L R	1209	37121-SL10XL R	1209
37134-SL10L R	1334	37134-SL10XL R	1334
37146-SL10L R	1459	37146-SL10XL R	1459
37160-SL10L R	<6000	37160-SL10XL R	<6000



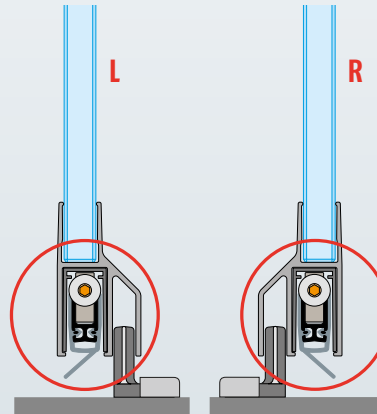
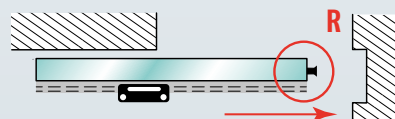
Planet KG-SL10



Planet KG-SL10 assembly **L**, with floor guide, release on lock side



Planet KG-SL10 assembly **R**, with floor guide, release on lock side



Company stamp

E-mail: [mail@planet.ag](mailto:mail@planet.ag)  
 Phone: +41 43 266 22 22  
 Fax: +41 43 266 22 23  
 or on our website  
[www.planet.ag](http://www.planet.ag)

Planet GDZ AG  
 Neustadtstrasse 2  
 CH-8317 Tagelswangen  
 Switzerland

Phone +41 43 266 22 22  
 Fax +41 43 266 22 23  
[mail@planet.ag](mailto:mail@planet.ag)  
[www.planet.ag](http://www.planet.ag)



Planet <sup>swiss</sup>®

The door sealing experts

70 JAHRE  
 YEARS  
 AÑOS