

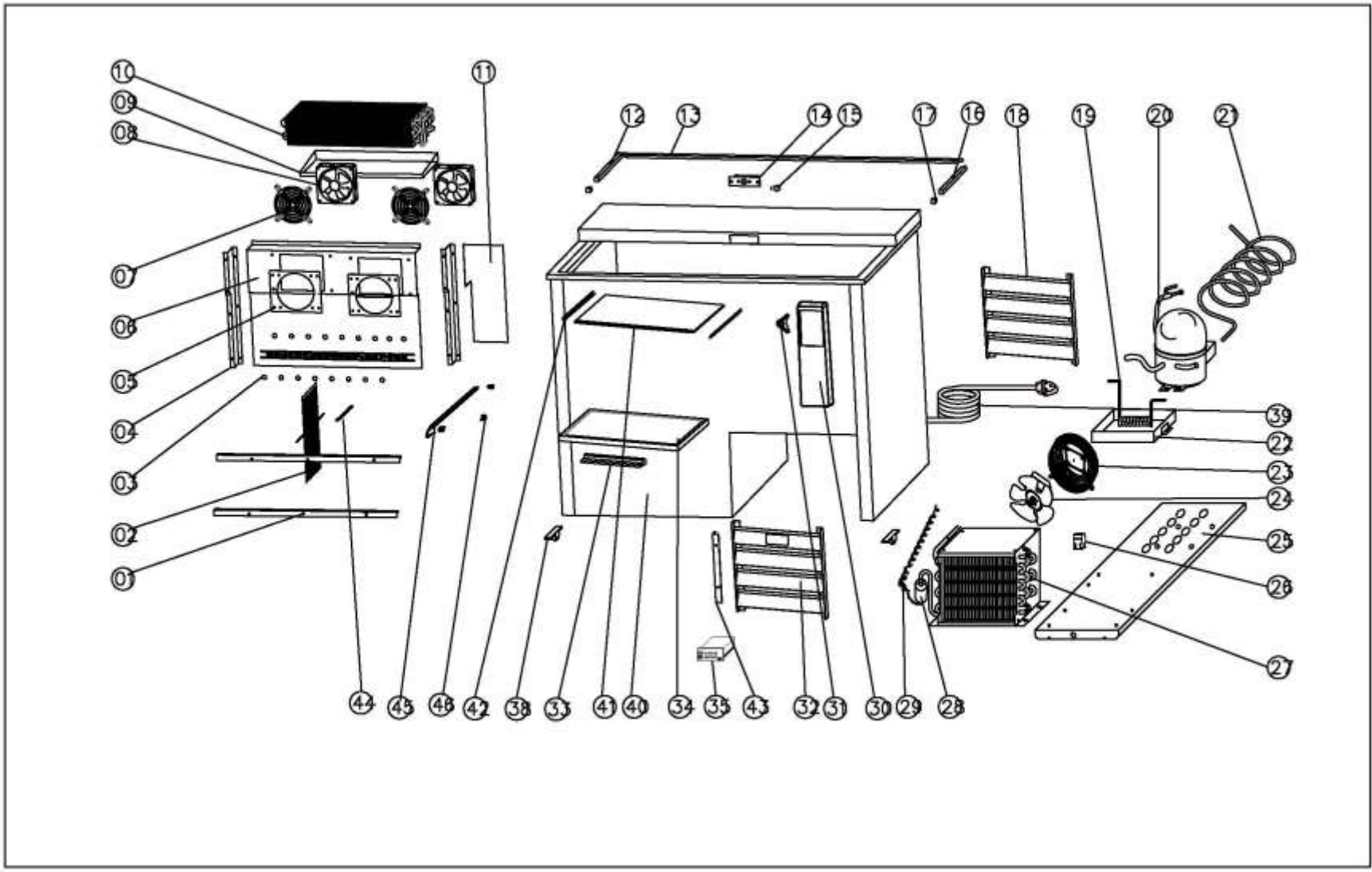


BACK BAR BOTTLE COOLERS



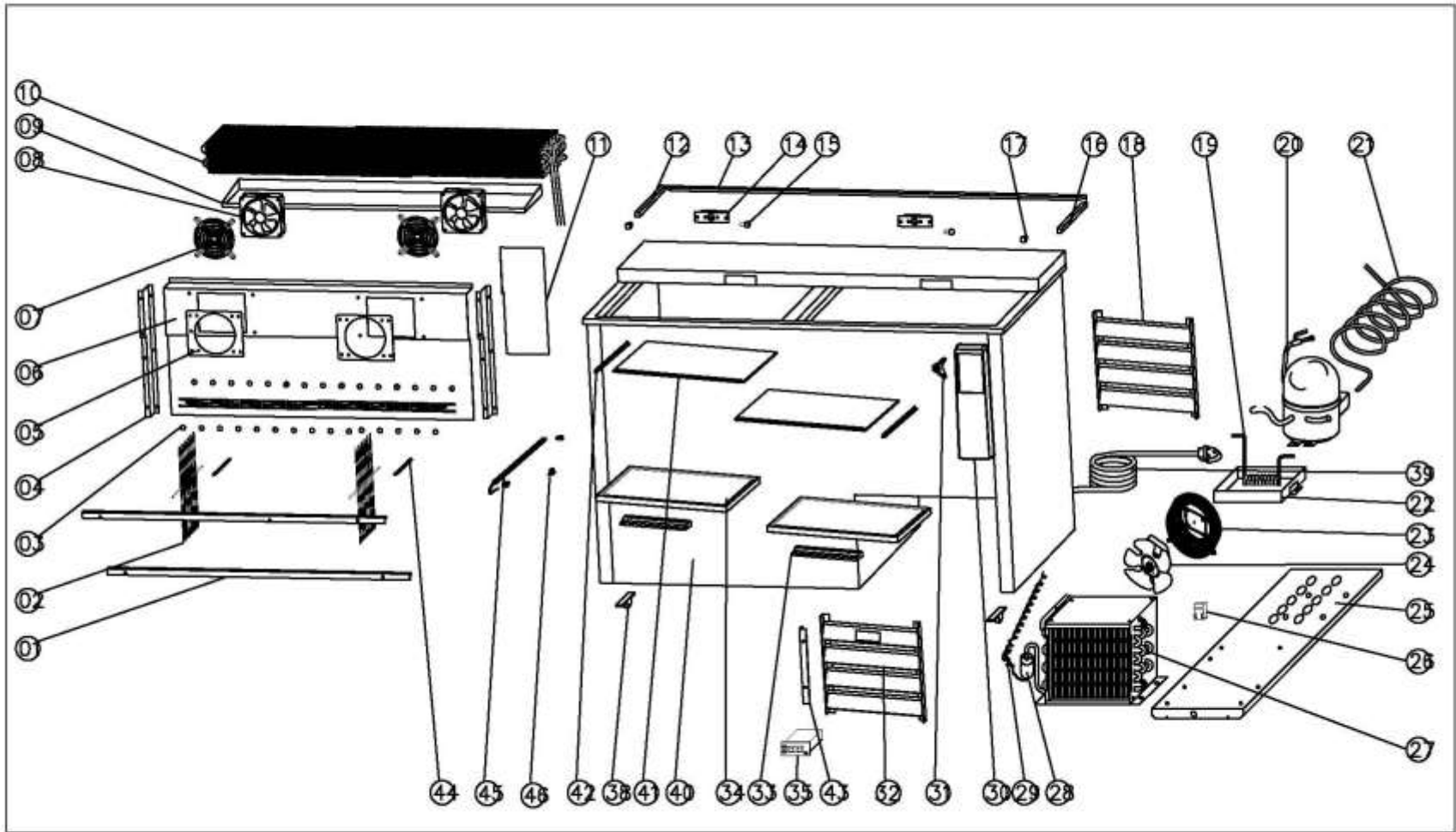
PARTS LIST

REVISION 20160811



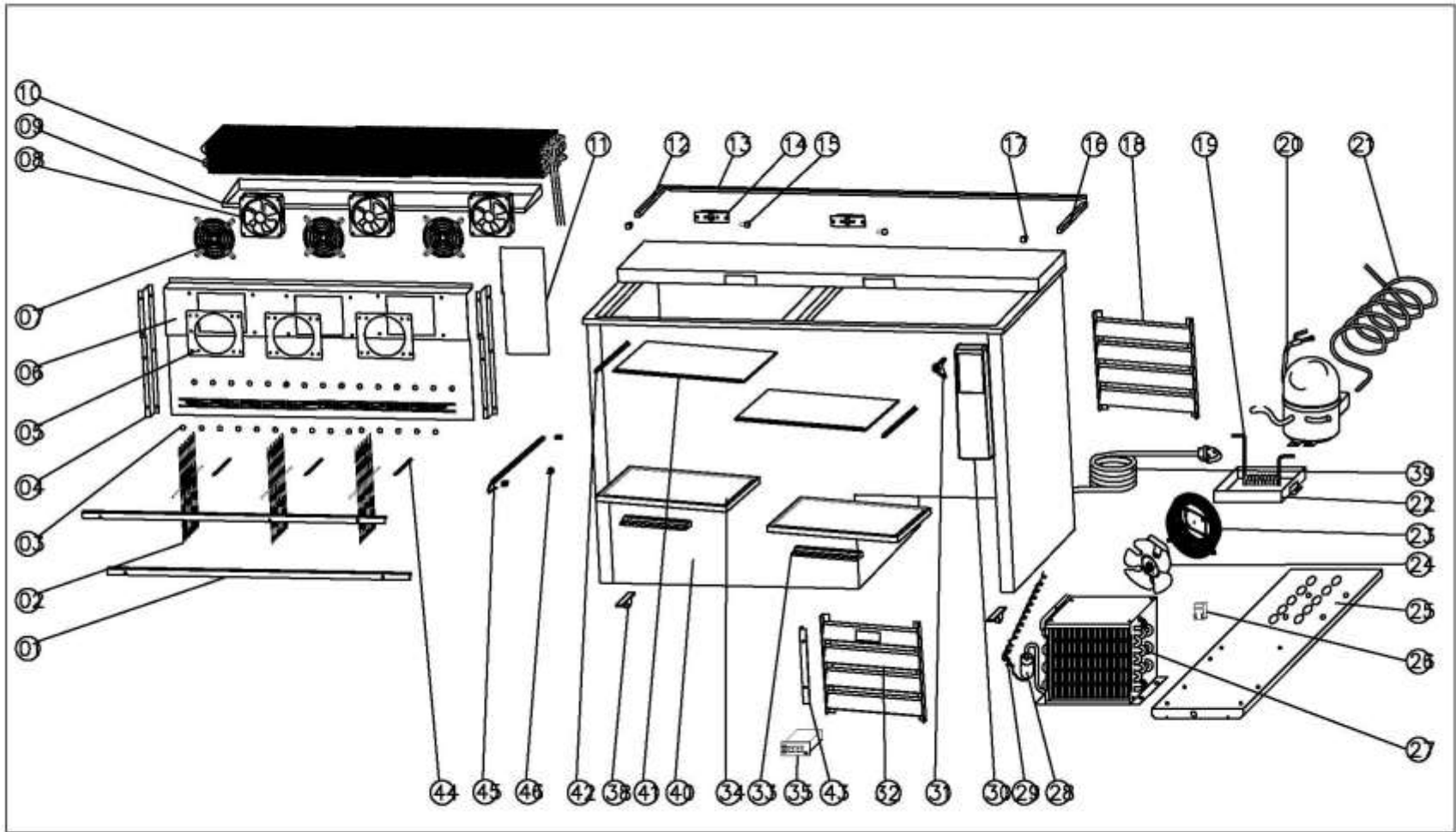
BST-36

Ref	PART #	Description	QTY
1	BC30925	SUPPORT	2
2	BC30913	SHELF	3
3	BC30914	SHELF PROTECTOR PIN	10
4	BC30915	LEFT SUPPORT	1
7	BC30910	BASKET GUARD GRILLS	2
8	H01110	CIRCLE FAN	2
9	BC30922	EVAPORATOR WATER PAN	1
10	BC30920	EVAPORATOR	1
14	BC30909	LOCK BOX	2
15	BC30704	LOCK	2
18	BC30916	BACK AIR FLOW WINDOW	1
19	BC309024	EVAPORATOR PIPE	1
20	H00020F	COMPRESSOR FFI8.5HAK 110V	1
	H01220	START KIT FOR FFI8.5HAX	*
22	BC30911	WATER BOX	1
23	H00123	BASKET GUARD GRILLS	1
24	H00110	CONDENSER FAN	1
26	H00220	CONTACTOR	1
27	H01347	CONDENSER	1
28	H00341	FILTER DRIER	1
29	BC30901	CAPILLARY	1
30	BC30903	BOTTLE CAP BOX	1
31	BC30902	BOTTLE OPENER	1
32	BC30917	FRONT AIR FLOW WINDOW	1
33	BC30908	HANDLE	2
34	BC30028	DOOR	2
35	H00219	CONTROLLER	1
	H00205	TEMPERATURE PROBE	2
38	BC1316	1" CASTER	4
39	C2194684	PLUG	1
44	BC30918	SPRING	1
45	BC00037	LED LAMP	1
45	BC00036	LED LAMP TRANSFORMER	1
46	BC00038	LAMP SWITCH	1



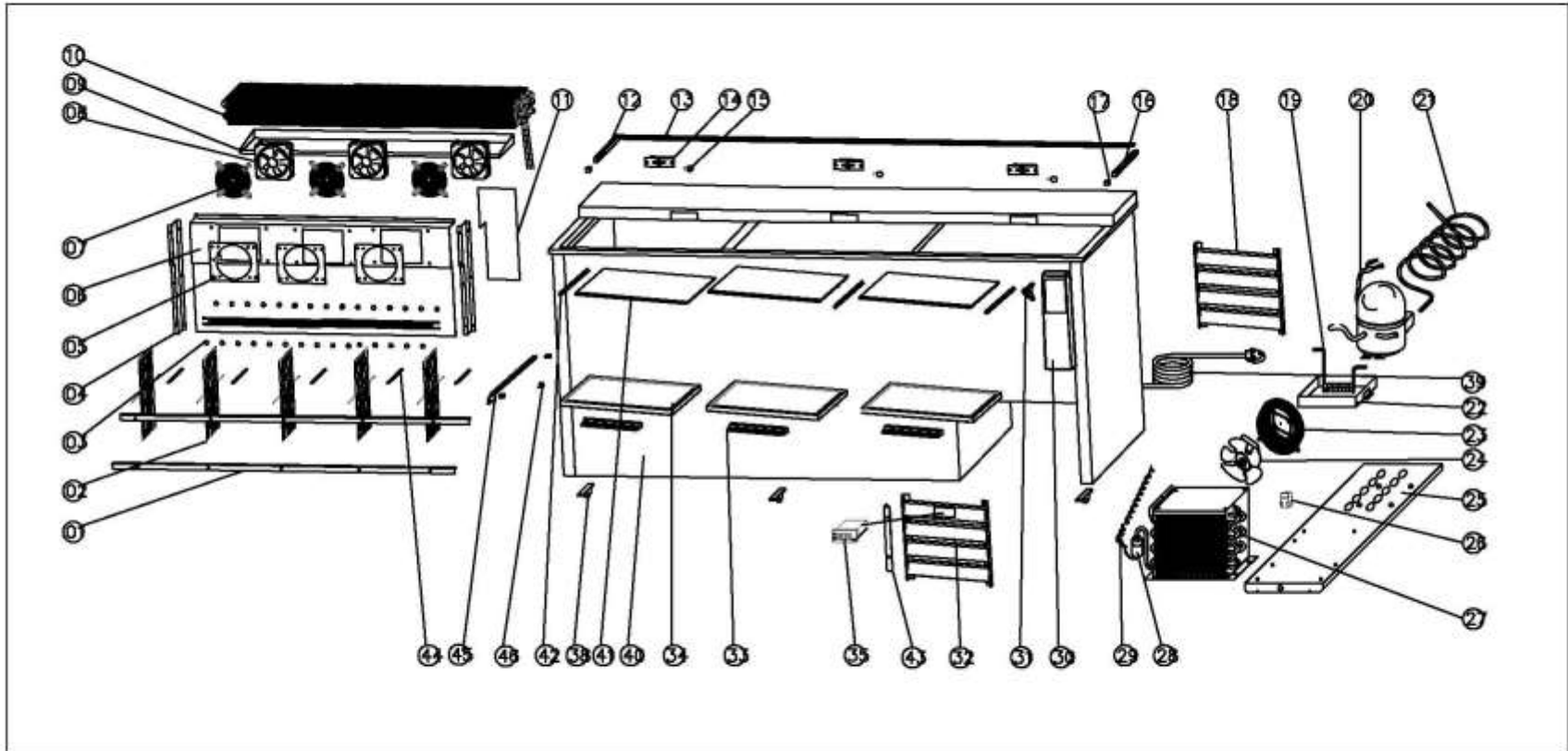
BST-50

Ref	PART #	Description	QTY
1	BC30912	SUPPORT	2
2	BC30913	SHELF	2
3	BC30914	SHELF PROTECTOR PIN	32
4	BC30915	LEFT SUPPORT	1
7	BC30910	BASKET GUARD GRILLS	2
8	H01110	CIRCLE FAN	2
9	BC30906	EVAPORATOR WATER PAN	1
10	BC30904	EVAPORATOR	1
14	BC30909	LOCK BOX	2
15	BC30704	LOCK	2
18	BC30916	BACK AIR FLOW WINDOW	1
19	BC309024	EVAPORATOR PIPE	1
20	H00019F	COMPRESSOR FFU130HAX 110V	1
	H00225	START KIT FOR FFU130HAX	*
22	BC30911	WATER BOX	1
23	H00123	BASKET GUARD GRILLS	1
24	H00110	CONDENSER FAN	1
26	H00220	CONTACTOR	1
27	H01347	CONDENSER	1
28	H00341	FILTER DRIER	1
29	BC30901	CAPILLARY	1
30	BC30903	BOTTLE CAP BOX	1
31	BC30902	BOTTLE OPENER	1
32	BC30917	FRONT AIR FLOW WINDOW	1
33	BC30908	HANDLE	2
35	H00219	CONTROLLER	1
	H00205	TEMPERATURE PROBE	2
38	BC1316	1" CASTER	4
39	C2194684	PLUG	1
44	BC30918	SPRING	2
45	BC00037	LED LAMP	1
45	BC00036	LED LAMP TRANSFORMER	1
46	BC00038	LAMP SWITCH	1



BST-65

REF	PART #	DESCRIPTION	QTY
1	BC30912	SUPPORT	2
2	BC30913	SHELF	3
3	BC30914	SHELF PROTECTOR PIN	41
4	BC30915	LEFT SUPPORT	1
7	BC30910	BASKET GUARD GRILLS	2
8	H01110	CIRCLE FAN	2
9	BC30907	EVAPORATOR WATER PAN	1
10	BC30905	EVAPORATOR	1
14	BC30909	LOCK BOX	2
15	BC30704	LOCK	2
18	BC30916	BACK AIR FLOW WINDOW	1
19	BC309024	EVAPORATOR PIPE	1
20	H00019F	COMPRESSOR FFU130HAX 110V	1
	H00225	START KIT FOR FFU130HAX	*
22	BC30911	WATER BOX	1
23	H00123	BASKET GUARD GRILLS	1
24	H00110	CONDENSER FAN	1
26	H00220	CONTACTOR	1
27	H01347	CONDENSER	1
28	H00341	FILTER DRIER	1
29	BC30901	CAPILLARY	1
30	BC30903	BOTTLE CAP BOX	1
31	BC30902	BOTTLE OPENER	1
32	BC30917	FRONT AIR FLOW WINDOW	1
33	BC30908	HANDLE	2
34	BC30028	DOOR	2
35	H00219	CONTROLLER	1
	H00205	TEMPERATURE PROBE	2
38	BC1316	1" CASTER	4
39	C2194684	PLUG	1
44	BC30918	SPRING	3
45	BC00037	LED LAMP	1
45	BC00036	LED LAMP TRANSFORMER	1
46	BC00038	LAMP SWITCH	1



BST-94

REF	PART #	DESCRIPTION	QTY
1	BC30926	SUPPORT	2
2	BC30913	SHELF	3
3	BC30914	SHELF PROTECTOR PIN	41
4	BC30915	LEFT SUPPORT	1
7	BC30910	BASKET GUARD GRILLS	3
8	H01110	CIRCLE FAN	3
9	BC30923	EVAPORATOR WATER PAN	1
10	BC30921	EVAPORATOR	1
14	BC30909	LOCK BOX	2
15	BC30704	LOCK	2
18	BC30916	BACK AIR FLOW WINDOW	1
19	BC309024	EVAPORATOR PIPE	1
20	H00019F	COMPRESSOR FFU130HAX 110V	1
	H00225	START KIT FOR FFU130HAX	*
22	BC30911	WATER BOX	1
23	H00123	BASKET GUARD GRILLS	1
24	H00110	CONDENSER FAN	1
26	H00220	CONTACTOR	1
27	H01347	CONDENSER	1
28	H00341	FILTER DRIER	1
29	BC30901	CAPILLARY	1
30	BC30903	BOTTLE CAP BOX	1
31	BC30902	BOTTLE OPENER	1
32	BC30917	FRONT AIR FLOW WINDOW	1
33	BC30908	HANDLE	2
34	BC30028	DOOR	2
35	H00219	CONTROLLER	1
	H00205	TEMPERATURE PROBE	2
38	BC1316	1" CASTER	6
39	C2194684	PLUG	1
44	BC30918	SPRING	5
45	BC00037	LED LAMP	1
45	BC00036	LED LAMP TRANSFORMER	1
46	BC00038	LAMP SWITCH	1



1-704-900-2068

Website: <http://www.entree.biz>