

DEAN PUMP® DEANLINE SERIES

Industrial In-line Centrifugal Pumps

DATA PAK



DEANLINE SERIES CENTRIFUGAL PROCESS PUMPS

STANDARD, INLINE, SINGLE STAGE OPEN IMPELLER, CENTRIFUGAL PROCESS PUMPS TYPE DEANLINE

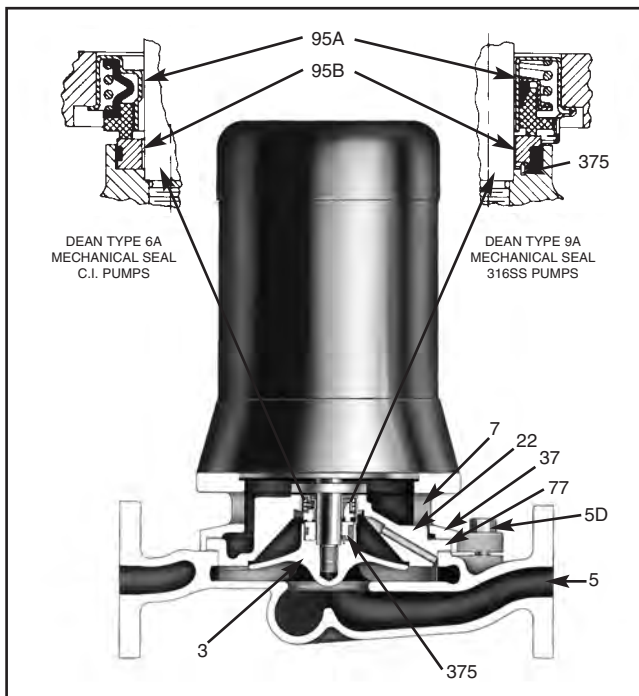
MECHANICAL DESIGN SPECIFICATIONS

| | |
|---------------------------------|---|
| Direction of Rotation..... | Clockwise (Viewed from Motor End) |
| Driving Rating | 230/460 Volt, 3 Phase, 60 Cycle, NEMA C Flange, 143TCZ Frame, Dean Standard Motors, 304SS Shaft with standard shaft extension for jet motor, NEMA T3B temperature rating for Ex. Pr. motors. Ex. Pr. motors are Class I, Group D; Class II, Groups F & G. |
| @ 1750 RPM..... | 1/2 HP |
| @ 3500 RPM..... | 1, 1-1/2, and 2 HP |
| Flanges A.N.S.I. Rating | 125 Lb. C.I. (Class 20), 150 Lb. 316SS (Class 50) |
| Impeller..... | Single Plane Dynamic Balance |
| Maximum Working Pressure | 100 PSIG |
| Maximum Suction Pressure | Any part of Working Pressure |
| Hydrostatic Test Pressure | 150 PSIG C.I. (Class 20); 200PSIG 316SS (Class 50) |
| Pumping Temperature | |
| Minimum | Minus 20°F C.I. (Class 20) and 316SS (Class 50) |
| Maximum | 220°F C.I. (Class 20) and 316SS (Class 50) |
| Stuffing Box | Integral Mechanical Seal Only, internal seal face flushing all pumps |

| PUMP MAT'L CLASS | MECHANICAL SEAL | SUCTION PRESSURE | | TEMPERATURE | |
|---------------------|------------------------|------------------|--------|-------------|-------|
| | | MAX. | MIN. | MAX. | MIN. |
| 20 or 50 | Dean Type 6A, 6C or 9A | 100 PSIG | 2 PSIG | 220°F | -20°F |

Stuffing Box Options - In addition to standard seals the 6C seal is available for caustic service.*

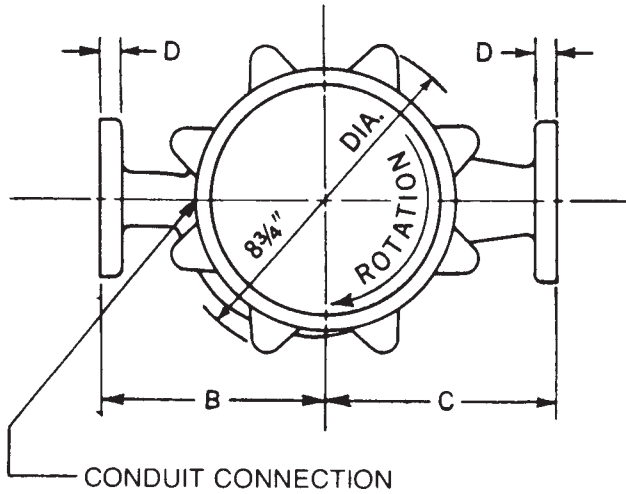
STANDARD MATERIALS OF CONSTRUCTION



| PART NO. | PART NAME | CAST IRON (CLASS 20) | 316SS (CLASS 50) |
|----------|-------------------------|-------------------------|---------------------|
| 3 | Impeller | C.I. | 316SS |
| 5 | Casing | C.I. | 316SS |
| 5D | Casing Cap Screw | 1020 Stl. | 302SS |
| 7 | Adapter Cradle | C.I. | C.I. |
| 7g | Adapter Cap Screws | ASTM A307 Stl. | ASTM A307 Stl. |
| 22 | Backhead | C. I. | 316SS |
| 37 | Clearance Shim | Plastic | Plastic |
| 77 | Casing Gasket | Non-Asbestos | Non-Asbestos |
| 95A | Stationary Seal Element | | |
| | Stationary Face | Carbon | Carbon |
| | Spring | | 316SS |
| | Holder | 304SS | 316SS |
| | Shaft Packing | Viton | Teflon |
| 95B | Rotating Seal Face | Ceramic | Ceramic |
| 375 | Seal Dowel Pin | Not Required | 316SS |

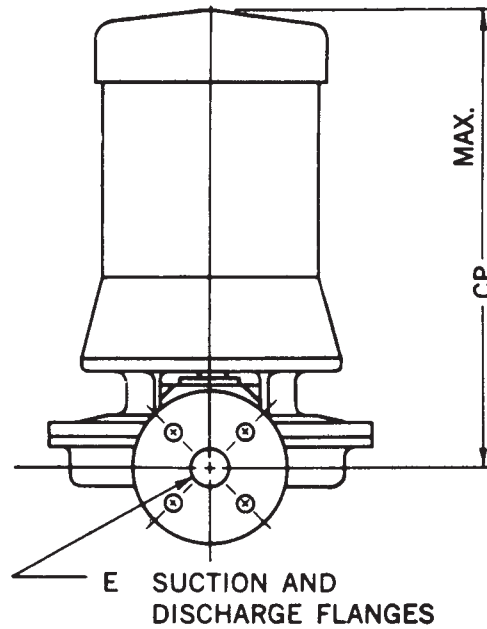
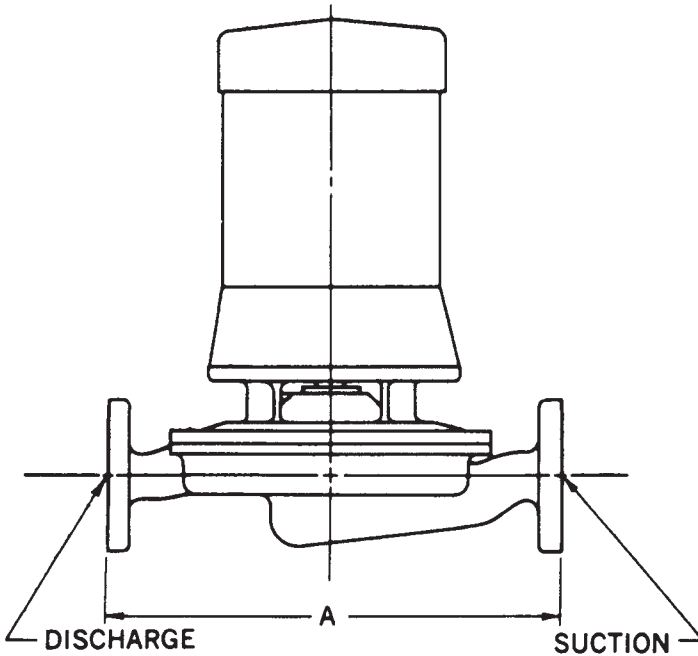
*For caustic service, use Dean Type 6C Seal with Ni-resist vs. carbon faces and Neoprene bellows

**STANDARD, INLINE, INTEGRAL SEAL, OPEN IMPELLER CENTRIFUGAL PUMP
TYPE DL PUMP**



| DIMEN. | 3/4 DL | 1 1/2 DL |
|--------|---|--|
| A | 10 3/4 | 11 |
| B | 5 1/4 | 5 1/2 |
| C | 5 1/2 | 5 1/2 |
| D | 1/2 | 1 1/16 |
| E | 3/4 3 7/8 O.D., 4-9/16" Holes on 2 3/4 Dia. B.C. | 1 1/2 5 O.D., 4-5/8" Holes on 3 7/8 Dia. B.C. |

| CP | | |
|-------|------|--------|
| HP | TEFC | EXPR |
| 1/2 | 14 | 15 |
| 1 | 14 | 15 |
| 1 1/2 | 15 | 16 1/2 |
| 2 | 15 | 17 1/2 |



CERTIFICATION

IMPORTANT: Do not use for construction unless certified.

| |
|---|
| CUSTOMER _____ |
| CUSTOMER'S ORDER NO. _____ ITEM NO. _____ |
| DEAN PUMP SERIAL NO. _____ |
| CERTIFIED BY _____ DATE _____ |

The construction shown is standard for this machine. Any change may involve additional cost, a corresponding increase in selling price and delay in shipment. If changes are necessary, mark them carefully and in detail on this print and return. You will be advised promptly as to the additional price. Meanwhile, details involved will be held up until we receive your authorization to proceed.

**DIMENSION
DWG NO.
D-1000**

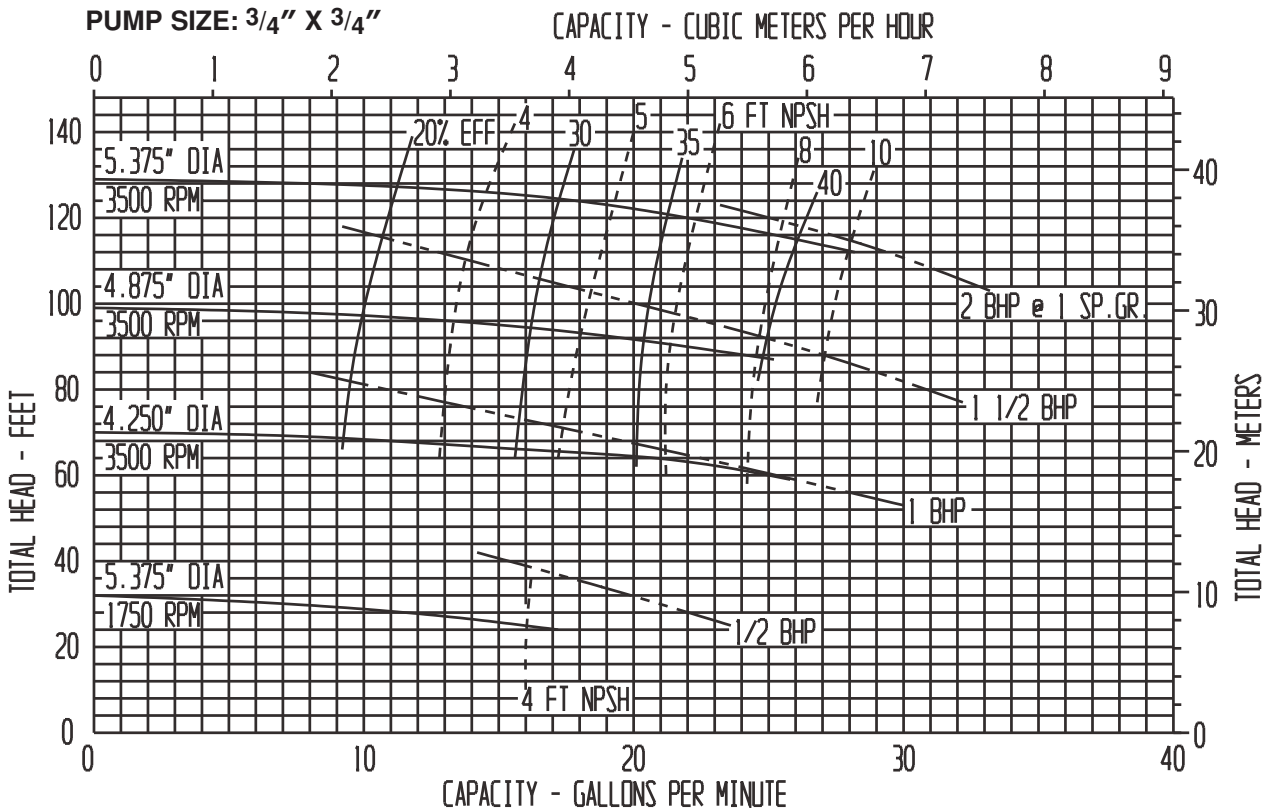


Dean Pump Division

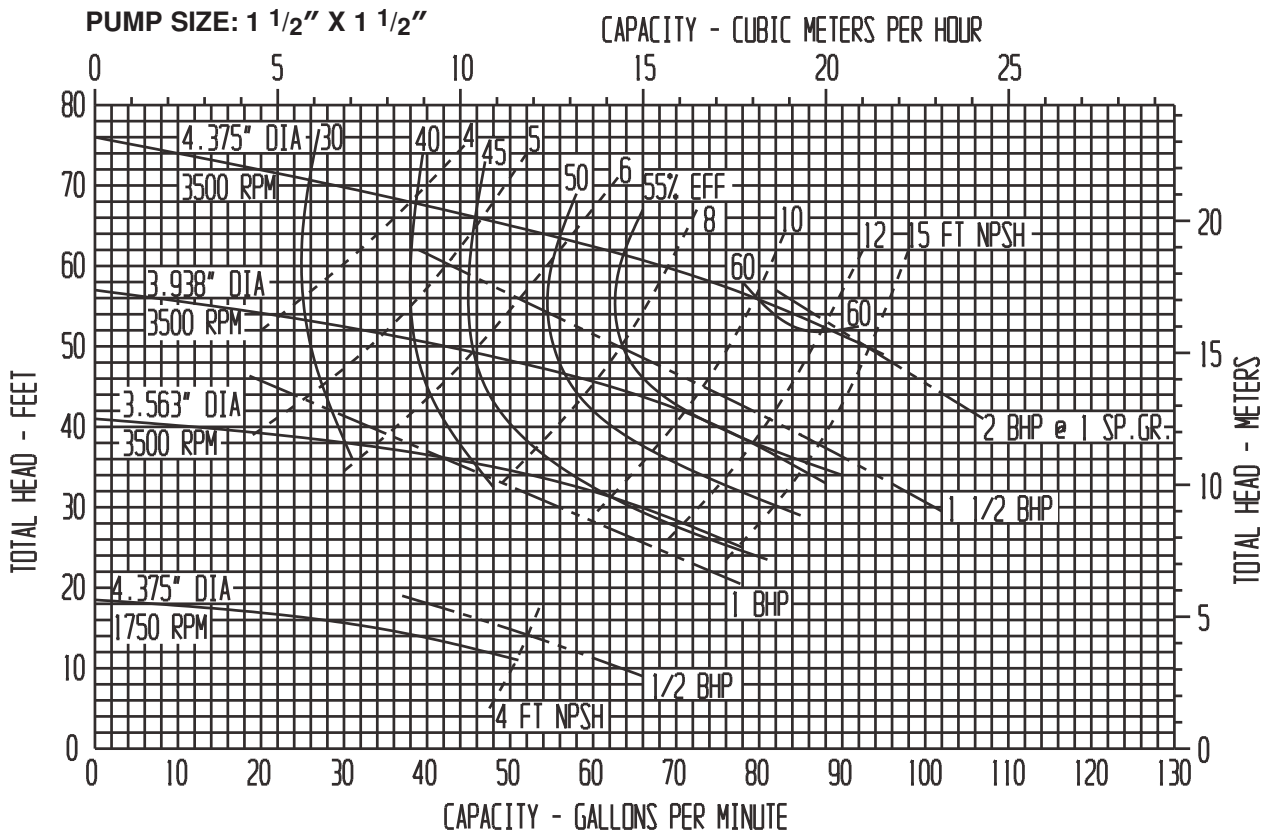
6040 GUION ROAD, INDIANAPOLIS, IN 46254, (317) 293-2930, FAX: (317) 297-7028

CENTRIFUGL PUMP PERFORMANCE DATA: CURVE DL .75-1.5
PUMP TYPE: DL

PUMP PERFORMANCE: This curve, based on extensive tests, defines the average performance of this pump for liquids having a viscosity of 70 SSU or less. Actual performance of individual units may differ slightly from the performance indicated on this curve. Pump applications made from the data contained herein are subject to confirmation and acceptance by our Engineering Department at our Indianapolis Office.



| | |
|----------------------------|-------------------------|
| CUSTOMER _____ | ITEM No. _____ |
| CUSTOMER'S ORDER No. _____ | FACTORY ORDER No. _____ |
| DEAN PUMP SERIAL No. _____ | |



Range Chart

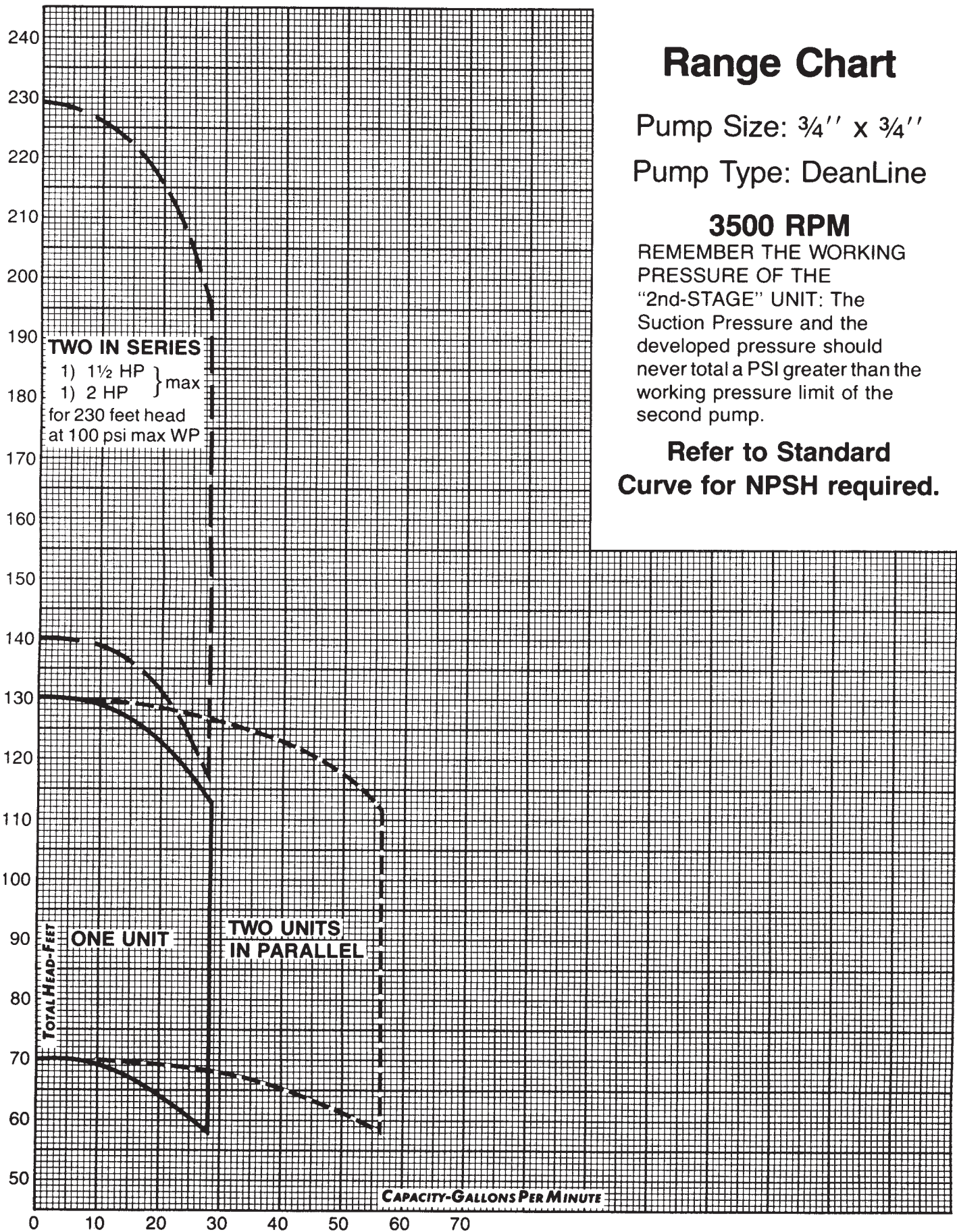
Pump Size: 3/4" x 3/4"

Pump Type: DeanLine

3500 RPM

REMEMBER THE WORKING PRESSURE OF THE "2nd-STAGE" UNIT: The Suction Pressure and the developed pressure should never total a PSI greater than the working pressure limit of the second pump.

Refer to Standard Curve for NPSH required.



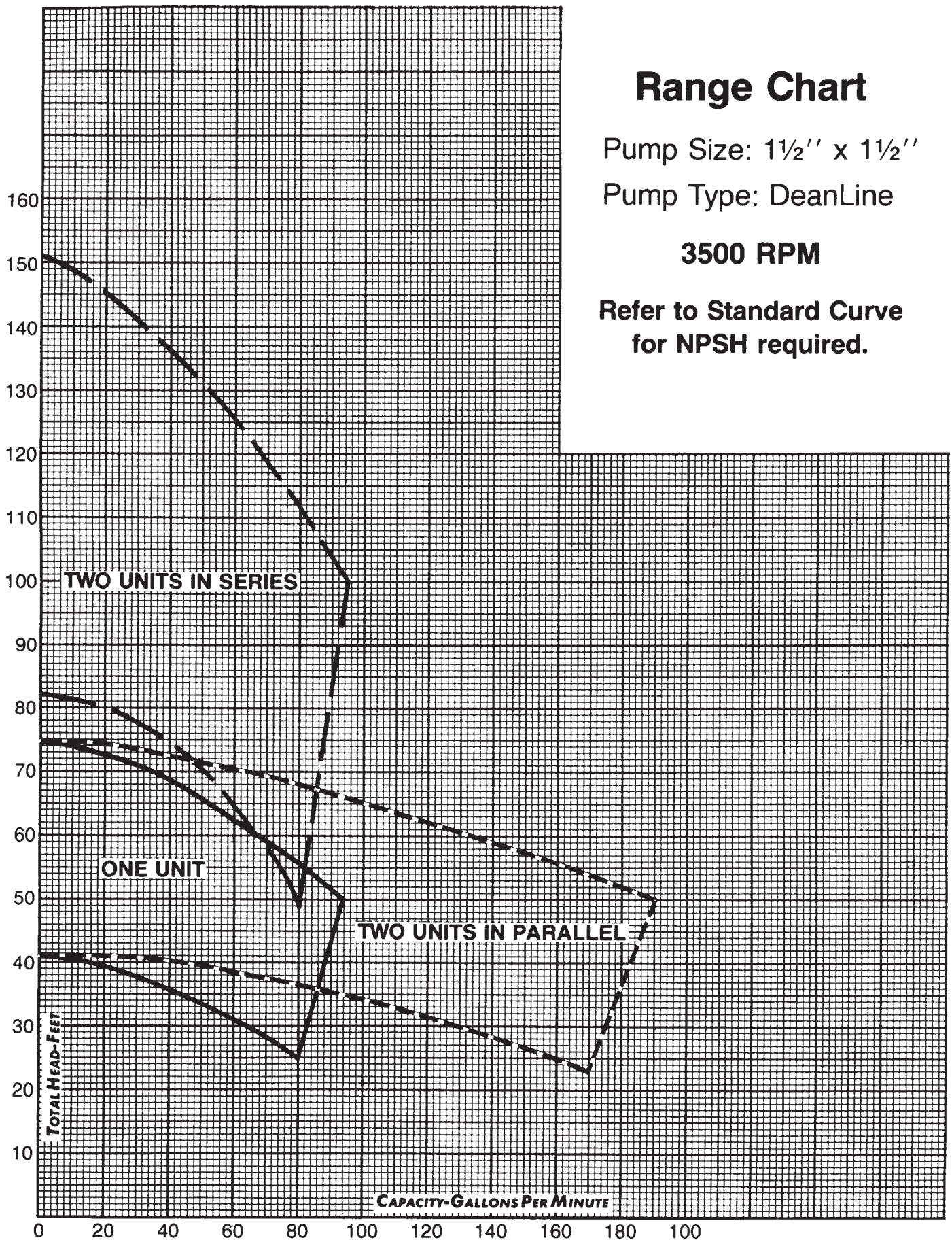
Range Chart

Pump Size: 1½" x 1½"

Pump Type: DeanLine

3500 RPM

Refer to Standard Curve
for NPSH required.





A Met-Pro Fluid Handling Technologies Business
Combining the Resources of **Dean Pump, Fybroc & Sethco**

6040 Guion Road • Indianapolis, IN 46254
(317) 293-2930 • FAX: (317) 297-7028
E-mail: info@deanpump.com • Web Site: www.deanpump.com

