

PARTS LIST
16 PAN PRESSURELESS COOKER
WITH LOAD COMPENSATION

MODEL: DCX-16
ECX-16
GCX-16
SCX-16



WWW.SOLARISSTEAM.COM

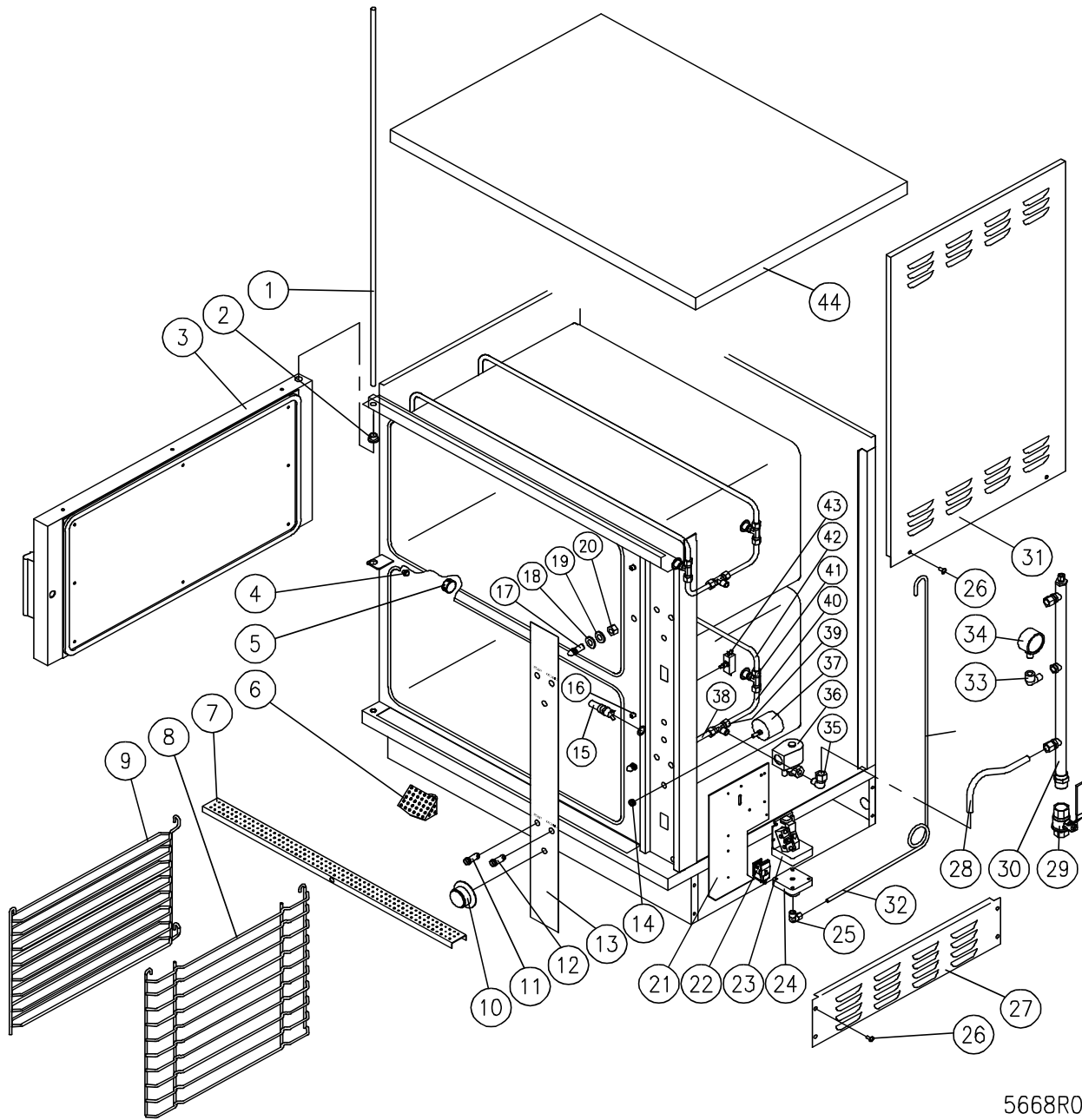
PART NUMBER 10027R2

1

2008-08-06

PARTS LIST, 16 PAN PRESSURELESS COOKER WITH LOAD COMPENSATION,
MODELS DCX-16, ECX-16, GCX-16, SCX-16

FIGURE 1



5668R0

PARTS LIST, 16 PAN PRESSURELESS COOKER WITH LOAD COMPENSATION,
 MODELS DCX-16, ECX-16, GCX-16, SCX-16

FIGURE 1

<u>ITEM NUMBER</u>	<u>PART NUMBER</u>	<u>DESCRIPTION</u>	<u>QUANTITY</u>
1.	4247-1	Hinge Rod	1
2.	4248-1	Bronze Flanged Bushing	8
3.	4251-1	Door Assembly	2
4.	4721-1	Hanger Pin Assembly	4
5.	5655-1	Steam Diverter Kit	1
6.	5224-2	Compartment Strainer	2
7.	8-5023-6	Perforated Trough	1
8.	2681-2	Pan Rack	4
9.	2667-1	Centre Pan Support	2
10.	4103-1	Timer Knob, 60 Min., 50 Hz	2
	4104-1	Timer Knob, 60 Min., 60 Hz	2
11.	4-PL04	Pilot Light, Green	2
12.	4-PL07	Pilot Light, Red	2
13.	2663-2	Control Panel Decal	1
14.	9109-1	Rotary Shaft Seal	2
15.	3-TS01	Thermal Switch	2
16.	9-3336	Actuator Pin	2
17.	8-5021	Striker	2
18.	8-5022	Flat Washer, ϕ 1/2	2
19.	1-90S0	Split Lock Washer, ϕ 1/2	2
20.	1-99S0	Hex Nut, 1/2 - 13 UNC	2
21.	2718-1	Component Panel, 9-3223	1
22.	3821-1	Buzzer	1
23.	3-PA36	Pressure Switch	1

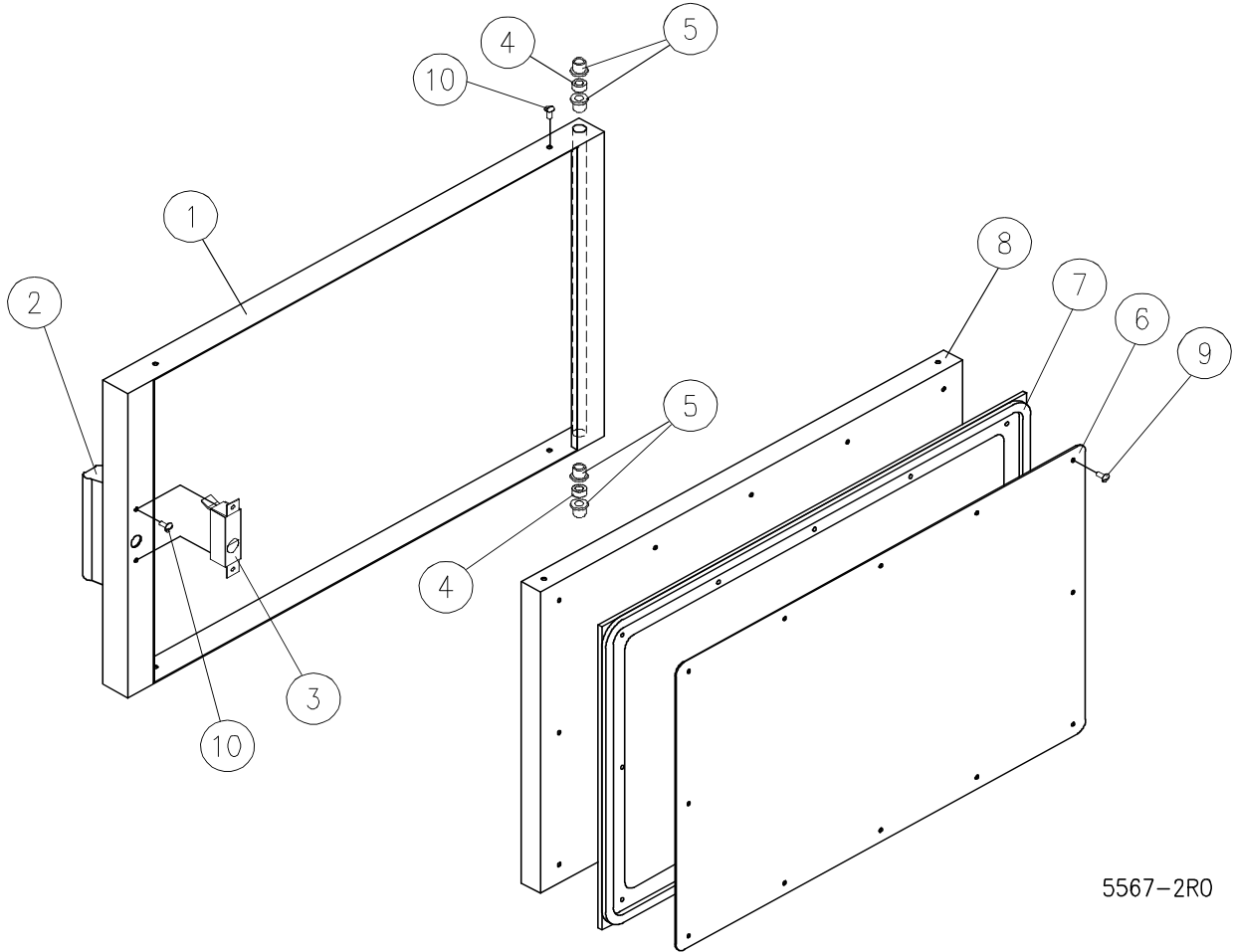
PARTS LIST, 16 PAN PRESSURELESS COOKER WITH LOAD COMPENSATION,
 MODELS DCX-16, ECX-16, GCX-16, SCX-16

<u>ITEM NUMBER</u>	<u>PART NUMBER</u>	<u>DESCRIPTION</u>	<u>QUANTITY</u>
24.	3-RD30	Transducer	1
25.	3-694B	Elbow, 1/4 C x 1/4 NPTM	1
26.	M33S-1032-12	Truss Head Screw 10 - 32 UNC x 1/2	8
27.	2835-1	Side Riser	2
28.	9-3029-2	Steam Tube, \varnothing 1/2	2
29.	3-BVE0	Steam Control Valve	1
30.	9-3219-2	Steam Manifold Assembly	1
31.	8-5102-6	Enclosure Panel	1
32.	9-3220-2	Steam Tube, \varnothing 1/4	1
33.	3-H116B	Elbow, 1/4 NPTF x 1/4 NPTM	1
34.	3-BM15	Pressure Gauge	1
35.	3-698B	Elbow, 1/2 C x 1/4 NPTM	2
36.	3-S422	Solenoid Valve, 1/2	2
37.	4-T210	Timer	2
38.	9-3221	Steam Tube - Front, 3/8	2
39.	3-726D	Tee, 3/8C x 1/2 MPT	2
40.	9-3222	Steam Tube - Rear, 3/8	2
41.	3-726B	Tee, 3/8C x 1/4 NPTM	4
42.	4579-1	Steam Supply Crossover Tube	4
43.	9-3213	Door Switch	2
44.	8-5108-6	Top Panel	1
* 45.	9-3296-1	Steam Hose	2
* 46.	8-5103-6	Left Hand Side and Back Panel	1

* NOT SHOWN.

PARTS LIST, 16 PAN PRESSURELESS COOKER WITH LOAD COMPENSATION,
MODELS DCX-16, ECX-16, GCX-16, SCX-16

FIGURE 2



PARTS LIST, 16 PAN PRESSURELESS COOKER WITH LOAD COMPENSATION,
 MODELS DCX-16, ECX-16, GCX-16, SCX-16

FIGURE 2

<u>ITEM</u>	<u>PART NUMBER</u>	<u>DESCRIPTION</u>	<u>QUANTITY</u>
1.	3103-1	Door Frame	1
2.	3903-2	Door Handle Assembly	1
*	3646-1	Decal	1
*	4090-2	Handle	1
*	4089-2	Door Handle, Plate	1
*	2-57S7	Socket Screw, 1/4 - 20 x 1 3/4	2
*	1-57S6	1/4 - 20 x 3/4	1
*	4088-1	Spacer	2
*	2-W0S2	Lock Washer 1/4	2
*	1-59S0	Nut, 1/4 - 20	2
3.	8-5068-9	Latch Assembly	1
4.	4249-1	Spacer, Top Door, Stainless Steel	1
	4250-1	Spacer, Lower Door, Stainless Steel	1
5.	4248-1	Door Bushing	4
6.	8-5065-6	Door Gasket Retainer	1
7.	8-5063-6	Door Gasket	1
8.	8-5060-6	Door Panel	1
9.	9-1011-1	Door Gasket Screw	12
10.	1-34S4	Screw, 10-32 x 1/2	6