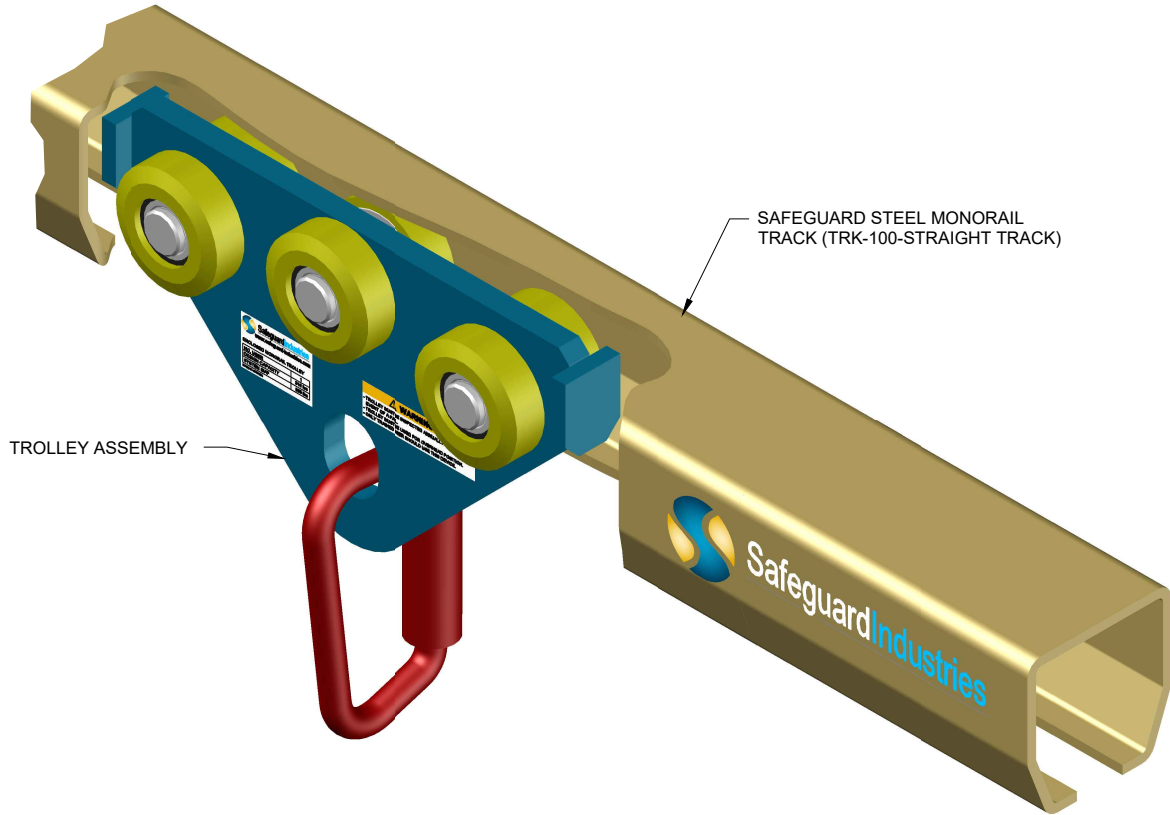




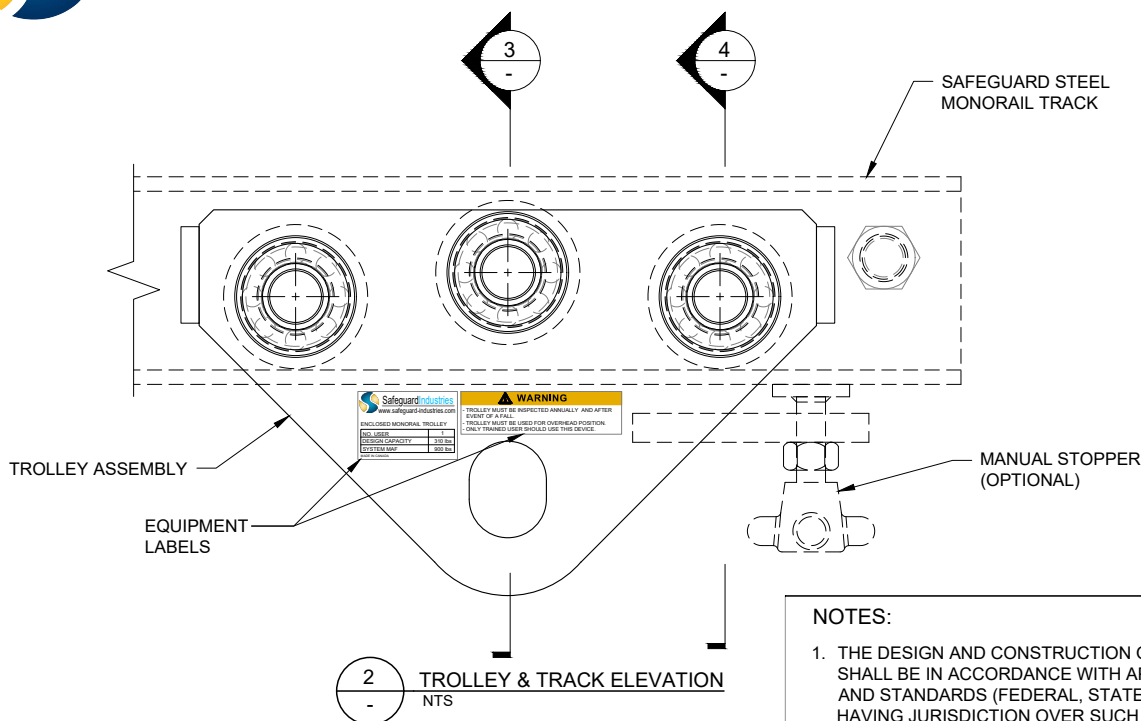
Safeguard Industries

North American Turnkey Providers of Engineered Fall Protection & Custom Steel Fabrication



1 TROLLEY & TRACK ISO VIEW
- NTS

Safeguard Industries Steel Monorail Trolley System



NOTES:

1. THE DESIGN AND CONSTRUCTION OF THIS PRODUCT SHALL BE IN ACCORDANCE WITH APPLICABLE CODES AND STANDARDS (FEDERAL, STATE AND COUNTY) HAVING JURISDICTION OVER SUCH WORK. ALL APPLICABLE REQUIREMENTS IN THESE REGULATIONS SHALL BE FOLLOWED THE SAME AS IF NOTED ON THIS DRAWINGS.

ISSUE	DATE	BY	DESCRIPTION

ENGINEERS STAMP

THIS DRAWING AND THE DESIGN IT COVERS ARE CONFIDENTIAL AND THE PROPERTY OF SAFEGUARD US INC. AND SHALL NOT BE DISCLOSED TO OTHERS OR REPRODUCED IN ANY MANNER OR USED FOR ANY PURPOSE WHATSOEVER EXCEPT BY WRITTEN PERMISSION OR AS PROVIDED IN A SIGNED AGREEMENT WITH SAFEGUARD US INC. RELATING TO SUCH DRAWING.



Complete Solutions
Engineering, design, fabrication & installation

FALL PROTECTION SYSTEM SPECIALISTS
CALGARY, ALBERTA CANADA
PHONE: 403.236.0752
FAX: 403.236.0813
sales@safeguard-industries.com
www.safeguard-industries.com

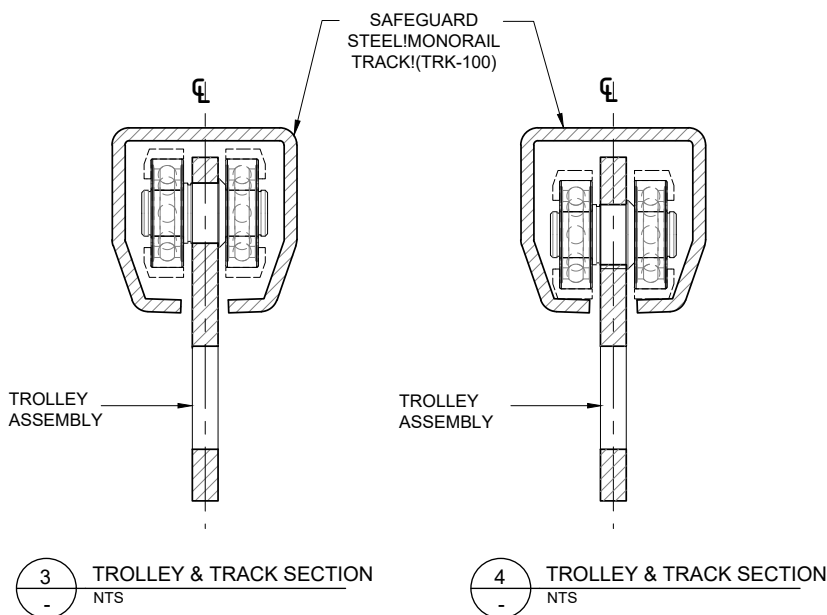
DATE	STATUS	DRAWN BY	APPROVED BY
25-APR-17		MG	SZ

DESCRIPTION:
SAFEGUARD STEEL MONORAIL TROLLEY SYSTEM
(SSI-MTR-100)

PROJECT:
-

CLIENT:
-

SCALE	DRAWING NUMBER	REV
NTS	SSI-MTR-100-ASSEMBLY-01A	-



Safeguard Industries has designed the new Steel Monorail Trolley System to be customized to any of your needs regardless of your industry.

Whether it is for maintenance of your large vehicles in aviation, transportation or Oil and Gas Safeguard Industries can custom design a solution that works for you. Each trolley can carry a user with maximum weight of 310lbs. With the rails engineered to hold one or many trolleys depending on your needs.

Contact our sales group at sales@safeguard-industries.com or go to our website at www.safeguard-industries.com to learn more about this and many of our other Safeguard Industries customized fall protection solutions.



World Corporate Headquarters
4515 - 112th Ave SE
Calgary, AB T2C 5C5
eMail: info@safeguard-industries.com
Toll Free: 1-888-936-0752
www.safeguard-industries.com

US Corporate Headquarters
6925 Speedway Blvd - Suite C101
Las Vegas, NV 89115
eMail: info@safeguard-industries.com
Toll Free: 1-888-936-0752
www.safeguard-industries.com