

Customer Name: \_\_\_\_\_

Chassis style & Yr: \_\_\_\_\_

Do you need any parts?

Company: \_\_\_\_\_

OEM Part #: \_\_\_\_\_

Cap

Phone #: \_\_\_\_\_

Select Finish:  Milgrade  Polished

1/2" Plug

Fax #: \_\_\_\_\_

Do you need any mounting hardware?

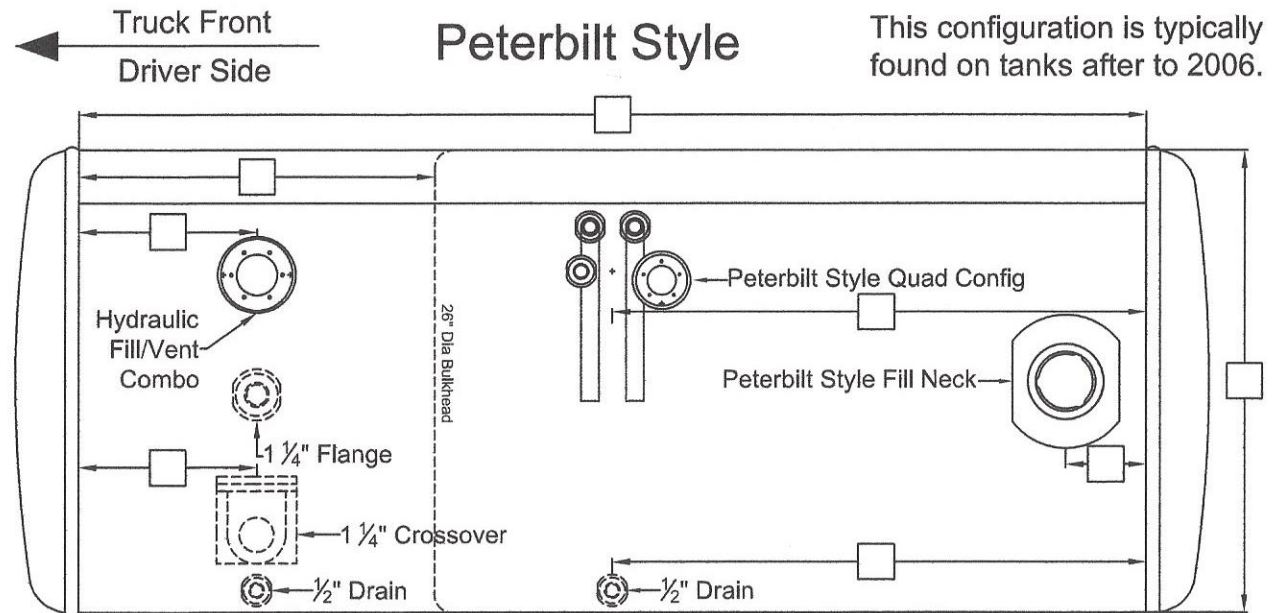
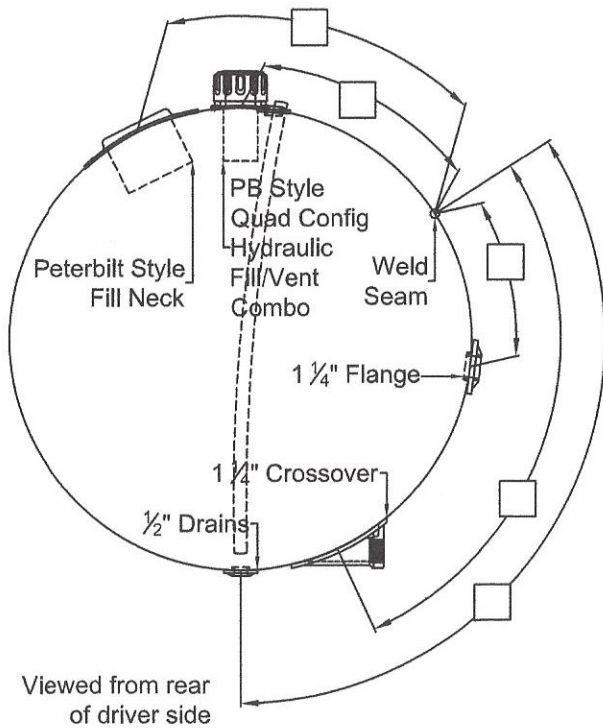
Vent

Straps  Step Kit

Sending Unit

Please note parts and mounting are not included in the price of the tank.

Other



Please note: All sizes are NPTF unless otherwise noted and reference all measurements from the lateral weld seam and the end cap weld seam to the center of the fittings.

**SouthTowns Specialties, LLC**

5651 Cole Road  
West Valley, NY 14171  
716-592-4993