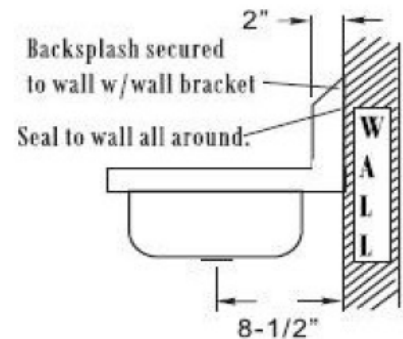
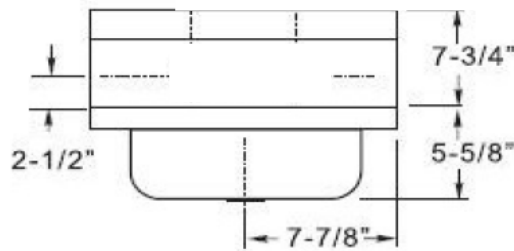
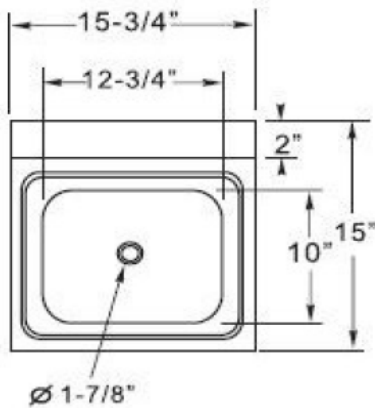


WICKETTS STAINLESS

Stainless Steel Hand Sink
WHS 1615-W-1-SSG

SPECIFICATION



Product #	Description
WHS 1615-W-1-SSG	Hand Sink With No Faucet; Side Splashes

Wicketts Stainless, LLC.
2618 San Miguel Dr. Bldg. # 376
Newport Beach, CA 92660
Tel: 951-858-2548
Fax: 951-638-9059
sales@wickettsstainless.com
www.wickettsstainless.com



Approved for Manufacturing
Company: _____
Signature: _____
Print: _____ Date: ____/____/____