

# NORTON WOOD PANEL

## Tegular Installation Instructions

(#T1512)

### 1 - GENERAL

#### 1.1 PRODUCT DESIGN

Norton Tegular Wood Panel Ceiling System consists of perforated and non-perforated 2' x 2' or custom sized panels designed to be installed on conventional 9/16" or 15/16" wide HD t-bar suspension system.

#### 1.2 STORAGE & HANDLING

The ceiling components shall be stored in a dry interior location and shall remain in cartons/crates prior to installation to avoid damage. The cartons shall be stored in a flat, horizontal position. The protectors between panels should not be removed until installation. Proper care should be taken when handling to avoid damage and soiling. Do not store in unconditioned spaces with relative humidity greater than 55% or lower than 20% and temperatures lower than 50°F or greater than 86°F. Panels must not be exposed to extreme temperatures, for example, close to a heating source or near a window where there is direct sunlight.

#### 1.3 SITE CONDITIONS

Norton Wood Panel ceiling materials should be permitted to reach room temperature and have stabilized moisture content for minimum of 72 hours before installation. (Remove shrink wrap, if any, to allow panels to climatize). They should not, however, be installed in spaces where the temperature or humidity conditions vary greatly from the temperatures and conditions that will be normal in the occupied space.

#### 1.4 HVAC DESIGN & OPERATION

Proper design for both supply air and return air, maintenance of the HVAC filters and building interior space are essential to minimize soiling. Before starting the HVAC system, make sure supply air is properly filtered and the building interior is free of construction dust.

#### 1.5 TEMPERATURE & HUMIDITY DURING INSTALLATION

Norton Wood Panels are interior finish products designed for installation in temperature conditions between 50°F and 86°F, in spaces where the building is enclosed and HVAC systems are functioning and will be in continuous operation. Relative humidity shall not fall below 20% or exceed 55%. There shall be proper ventilation of the plenum in high moisture areas. All plastering, concrete, terrazzo, or any other wet work should be

completely dry. All windows and doors should be in place. The heating, ventilating and air-conditioning system should be installed and operable where necessary to maintain proper temperature and humidity conditions before, during and after installation of the wood panels.

## **1.6 COLOR**

Norton Wood Panels are made with real wood veneers. Natural variations in color and grain are characteristic of wood products. To maximize visual consistency, panels should be unpacked and examined collectively to determine the most desirable arrangement for installation.

## **2 - SUSPENSION REQUIREMENTS**

### **2.1 GENERAL**

The suspension system shall be standard 9/16" or 15/16" exposed tee grid. The suspension system, whether new or existing, shall be properly installed and leveled using not less than 12-gauge galvanized steel wire. Suspension system installation shall conform to ASTM C-636 and ASTM E-580 (CISCA seismic recommendations). NOTE: The weight of these panels (2 - 3 lb/sf) necessitates that application of ASTM E-580 installation methods for areas subject to severe seismic disturbances. The manufacturer recommends following these guidelines as a minimum standard, regardless of building code requirements. Additional seismic requirements may be imposed by the International Building Code or local authority.

## **3 - SUSPENSION SYSTEM**

### **3.1 LOAD CAPACITY**

Norton Ceiling Panels weigh approximately 2 - 3 lbs/sf. Main tee must be capable of supporting the weight of the panels plus any additional ceiling components that are not independently supported from the building structure. Panels over 24" long may require t-bar stabilizers, and panels over 48" require reinforcement angles.

### **3.2 SUSPENSION GRID**

Norton Ceiling Panels install in a 2' x 2' or as needed module. Install main tees 24" on center.

## 4 - INSTALLATION

### 4.1 CUTTING THE PANEL

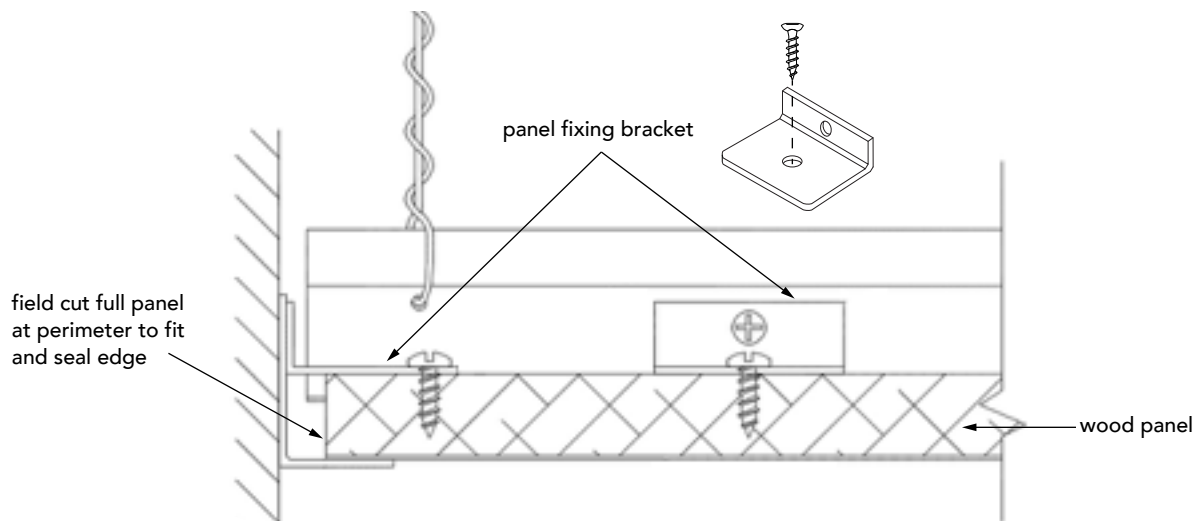
Cut the panel using standard woodworking tools. A table saw is recommended for straight cuts and a band saw for curved cuts. Panels should be cut face up to minimize veneer chipping. Cut edges should be sealed with factory supplied clear sealer.

### 4.2 CUTTING THE BORDER PANEL

A router can be used to cut a Tegral edge on border panels, or a straight cut off is possible if border clips are used to support the cut edge of perimeter panels. One border clip is required for each foot of panel edge (i.e. one clip for edges up to 12" long and 2 clips for edges greater than 12" up to 24").

### 4.3 ATTACH PANEL FIXING BRACKETS

Apply Norton Wood Panel Fixing Brackets to the cut edge of the panel as shown.

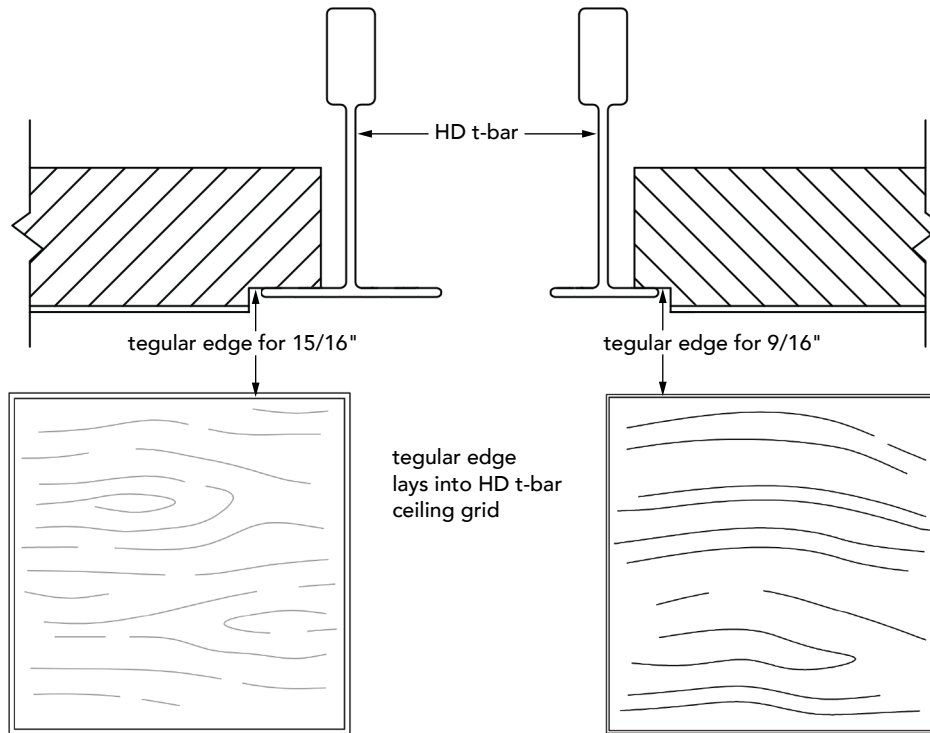


You must use panel fixing brackets to connect panels to perpendicular grid member and make them "fixed" when:

- Modified Panel, including factory modified panels
- Non Standard Panel
- Field Modified Panel
- The ceiling plane is not perfectly horizontal
- Oversized panels (Usually also require steel angle and chain. See shop drawings for application)
- Perimeter Panels (panels that do not engage on all 4 sides with a grid member)

#### 4.4 ODD SIZE PANELS

Special size panels are available from Norton Industries to accommodate less than full modules within the field of the ceiling. Another option would be to field cut these panels to the required dimension.



**CAUTION! WOOD DUST:** Sawing, sanding and machining wood products can produce dust. Airborne wood dust can cause respiratory, eye and skin irritation. The International Agency for Research on Cancer (ARC) has classified wood dust as a nasal carcinogen in humans. **PRECAUTIONARY MEASURES:** If power tools are used, they should be equipped with a dust collector. If high dust levels are encountered, use an appropriate NIOSH-designed dust mask. Avoid dust contact with eyes and skin. **FIRST AID MEASURES IN CASE OF IRRITATION:** Flush eyes or skin with water for at least 15 minutes.

**NORTON  
INDUSTRIES**