

**Specifications**

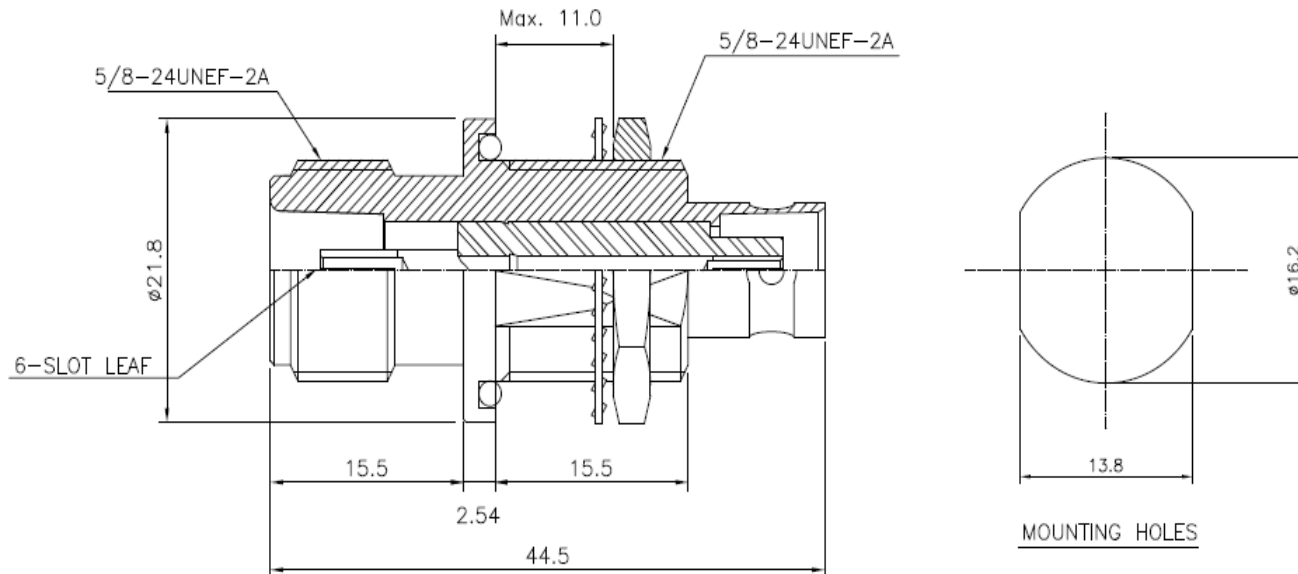
Frequency range: DC-4 GHz

Nominal Impedance: 50 Ohm

VSWR: 1 .20:1 max. @ 4 GHz

Oper. Temperature range ; -65C- +125C

**RoHS Compliant**



**Adapter Part**

**Material**

**Plating**

Body , Nut, Washer

Brass

Nickel

Center contact

Beryllium Copper

Gold

Insulator

PTFE

N/A

O-ring

Silicone Rubber

N/A



**Premier RF**

17 Roslyn CT  
Patchogue, NY 11772  
PH: 631-447-3804  
sales@premierf.com  
www.premierf.com

Dimensions in mm	<b>PART NUMBER</b>	<b>PRF-AD2F3FB</b>
03/10/2012	<b>DESCRIPTION</b>	<b>N FEMALE TO BNC FEMALE BULKHEAD ADAPTER, DC-4</b>
APPROVED		
C. Smith		