

Specifications

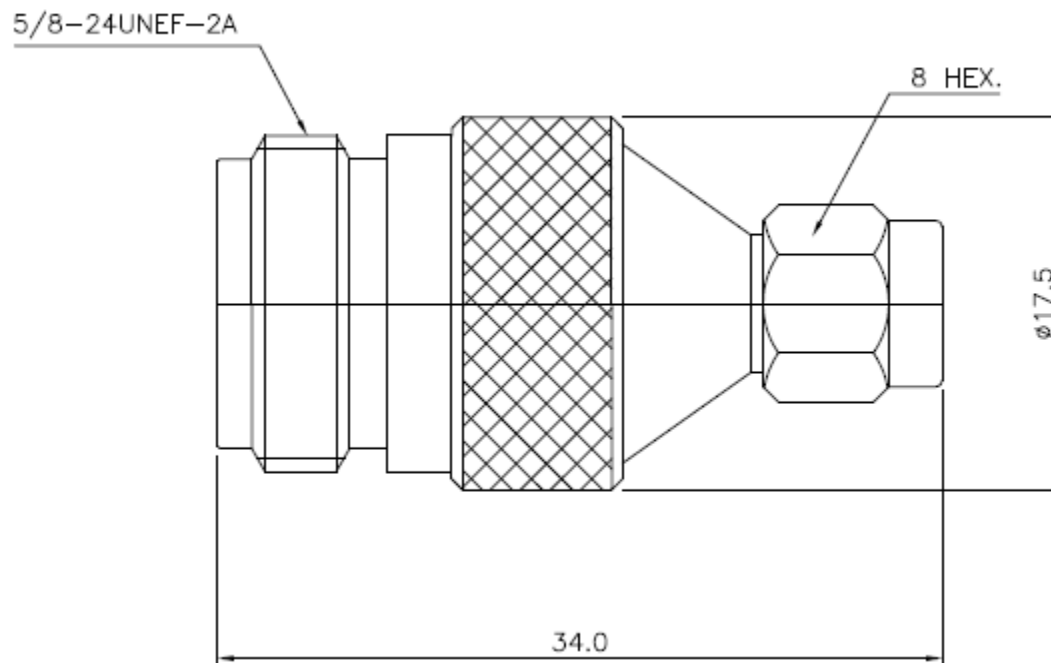
Frequency range: DC-11 GHz

Nominal Impedance: 50 OHm

VSWR: 1 .20:1 max. @ 11 GHz

Oper. Temperature range ; -55-+145"C

RoHS Compliant



Adapter Part

Material

Plating

Coupling Cap

Brass

Nickel

Body

Brass

Nickel

Center contact

Beryllium Copper

Gold

Insulator

PTFE

N/A



Premier RF

17 Roslyn CT
Patchogue, NY 11772
PH: 631-447-3804
sales@premierRF.com
www.premierRF.com

Dimensions in mm	PART NUMBER	PRF-AD1M2F
03/10/2012	DESCRIPTION	SMA MALE TO N FEMALE ADAPTER, DC-11 GHz
APPROVED		
C. Smith		