

ROCHESTER HARLEY-DAVIDSON

ROCHESTER, NEW HAMPSHIRE

ARCHITECT: OPECHEE CONSTRUCTION CORPORATION GLAZING CONTRACTOR:

SHOP DRAWING APPROVAL	
BY:	
DATE:	
<input type="checkbox"/> - APPROVED	
<input type="checkbox"/> - APPROVED AS NOTED	
<input type="checkbox"/> - REVISE AND RESUBMIT	

PRODUCT SCHEDULE
WINDOWS
N/A
STOREFRONT
YKK YES45TU SERIES (2" X 4 1/2")
YKK YES45FS SERIES (1 3/4" X 4 1/2")
YKK YES600 SERIES (1 3/4" X 6")
CURTAIN WALL
YKK YCW-350 CURTAIN WALL (2 1/2" X 6")
ENTRANCE
YKK WIDE STILE DOORS
PANELS
N/A
OTHER PRODUCTS
.063 ALUMINUM FLASHING PAINTED TO MATCH
FINISH
VALSPAR BANNER RED SL4A115
SEALANT
STANDARD

DOOR HARDWARE SCHEDULE
HARDWARE SET #1
STANDARD SURFACE CLOSERS
NRP BUTT HINGES
STANDARD PUSH/PULL (1" DIA.)
MS LOCKS
STANDARD BOTTOM SWEEP
FLUSH BOLTS
HARDWARE FINISH TO BE CLEAR ANNOZIZED TYPICAL
HARDWARE SET #2
HARDWARE SET #3
HARDWARE SET #4

GLAZING SCHEDULE
GLAZING TYPE 1
1" GRAY ANNEALED INSULATED GLASS w/LOW E
GLAZING TYPE 2
1" GRAY TEMPERED INSULATED GLASS w/LOW E
GLAZING TYPE 3
1/4" CLEAR GLASS
GLAZING TYPE 4
GLAZING TYPE 5
GLAZING TYPE 6
GLAZING TYPE 7
GLAZING TYPE 8

GENERAL NOTES
1. ALL DIMENSIONS AND CONDITIONS TO BE FIELD VERIFIED PRIOR TO FABRICATION.

DRAWING INDEX	
SHEET NO.	DESCRIPTION
C1	COVER SHEET
FP1	FLOOR PLANS
SE1 - SE2	STOREFRONT ELEVATIONS
CE1	CURTAIN WALL ELEVATIONS
SD1 - SD3	STOREFRONT DETAILS
CD1	CURTAIN WALL DETAILS

WINDOW HARDWARE SCHEDULE
OPERATING
LOCKING
SCREENS
MISCELLANEOUS

GLAZING CONTRACTOR:

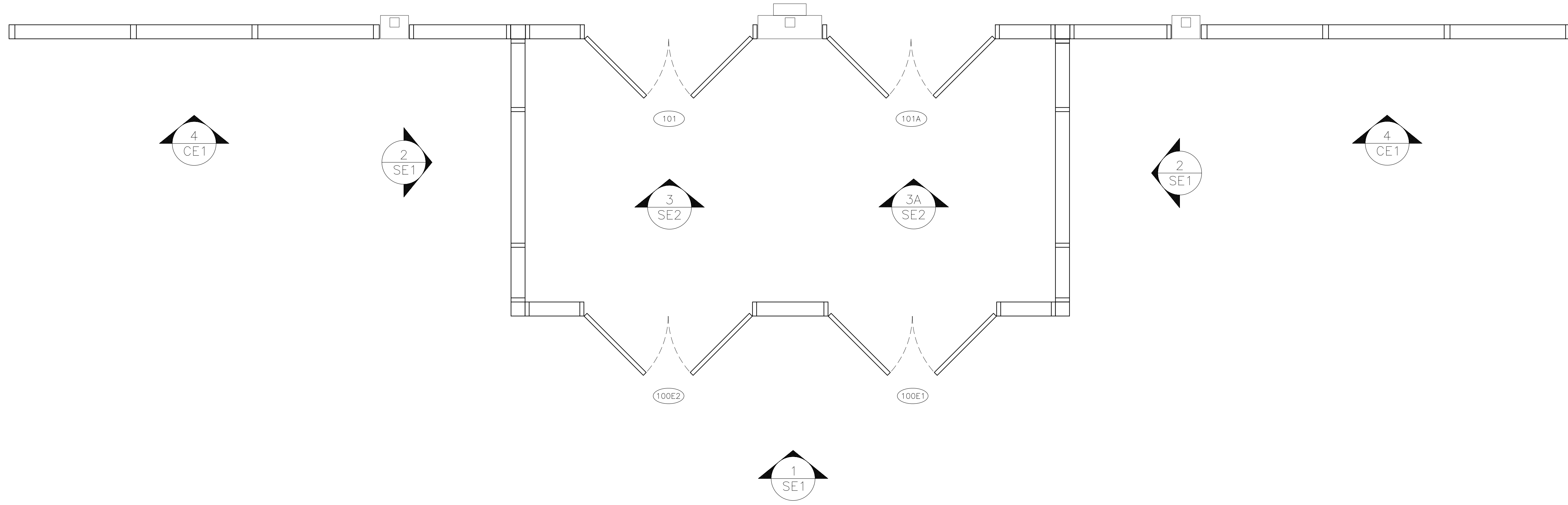
ARCHITECT: **OPECHEE**
CONSTRUCTION CORPORATION
1 CORPORATE DRIVE, BELMONT NH 03220
PHONE (603) 527-9090 FAX (603) 527-9171

COVER SHEET
PROJECT: ROCHESTER HARLEY-DAVIDSON
LOCATION: ROCHESTER, NEW HAMPSHIRE

Glazier's Resource Inc.
"Your Source for Glazing Design and Drafting"
210 NORTH STATE ST., SUITE 101
CONCORD, NH 03301-1322
PH. 603.860.0198
www.glaziersresource.com

SCALE: NONE
DATE: 10/13/2006
PROJECT: GR06-0143
SHEET:

C1



1 VESTIBULE FLOOR PLAN
ARCH. REF.: 1/A2

GLAZING CONTRACTOR:

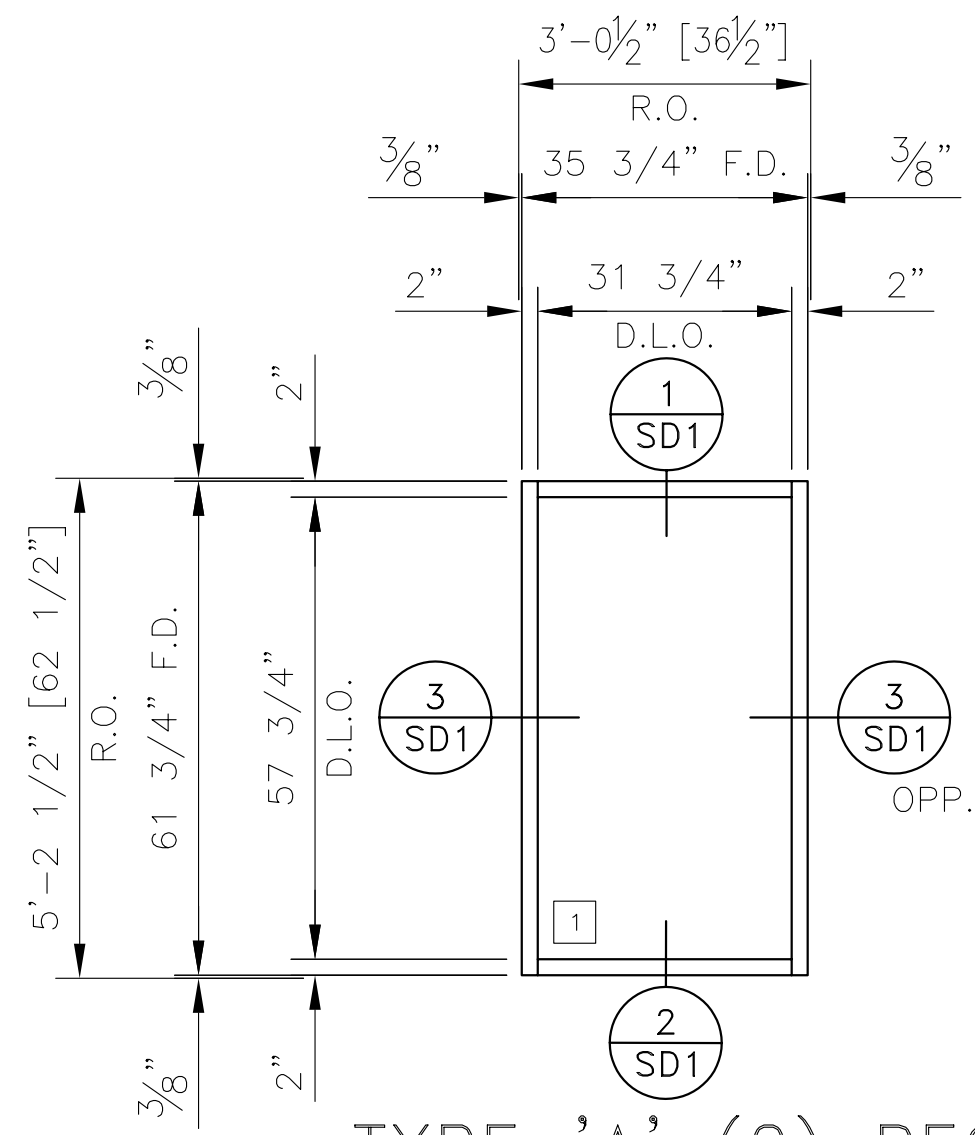
ARCHITECT:
OPECHEE
CONSTRUCTION CORPORATION
1 CORPORATE DRIVE, BELMONT, NH 03220
PHONE: (603) 527-9099 FAX: (603) 527-9171

VESTIBULE FLOOR PLAN
PROJECT: ROCHESTER HARLEY-DAVIDSON
LOCATION: ROCHESTER, NEW HAMPSHIRE

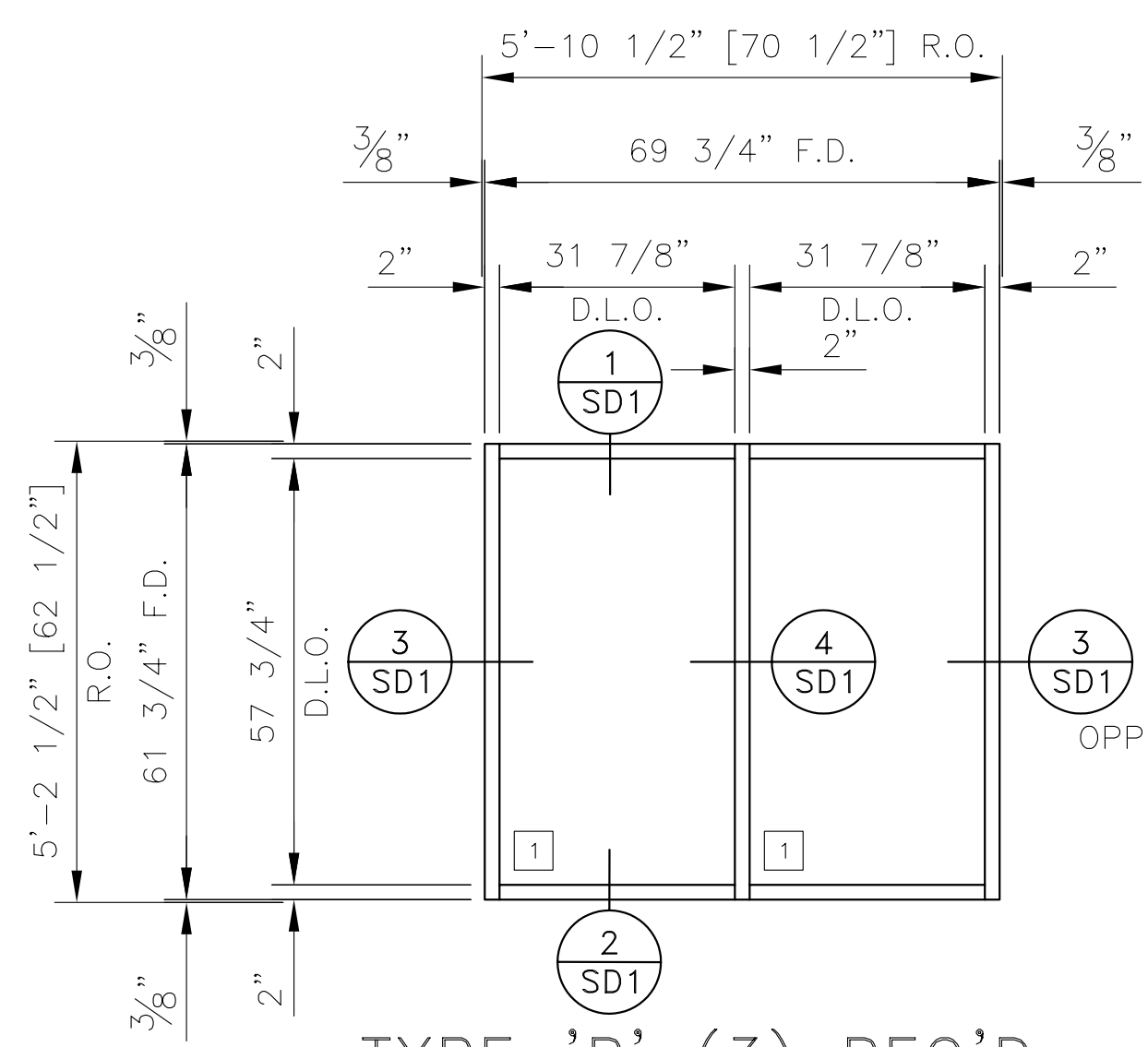
Glazier's Resource Inc.
"Your Source For Glazing Design and Drafting"
25 BARNETT STATE ST., SUITE 10
CONCORD, NH 03301-5322
PH: 603.860.0188
WWW.GLAZERSRESOURCE.COM

SCALE:
1/2" = 1'-0"
DATE:
10/13/2006
PROJECT:
GR06-0143
SHEET:

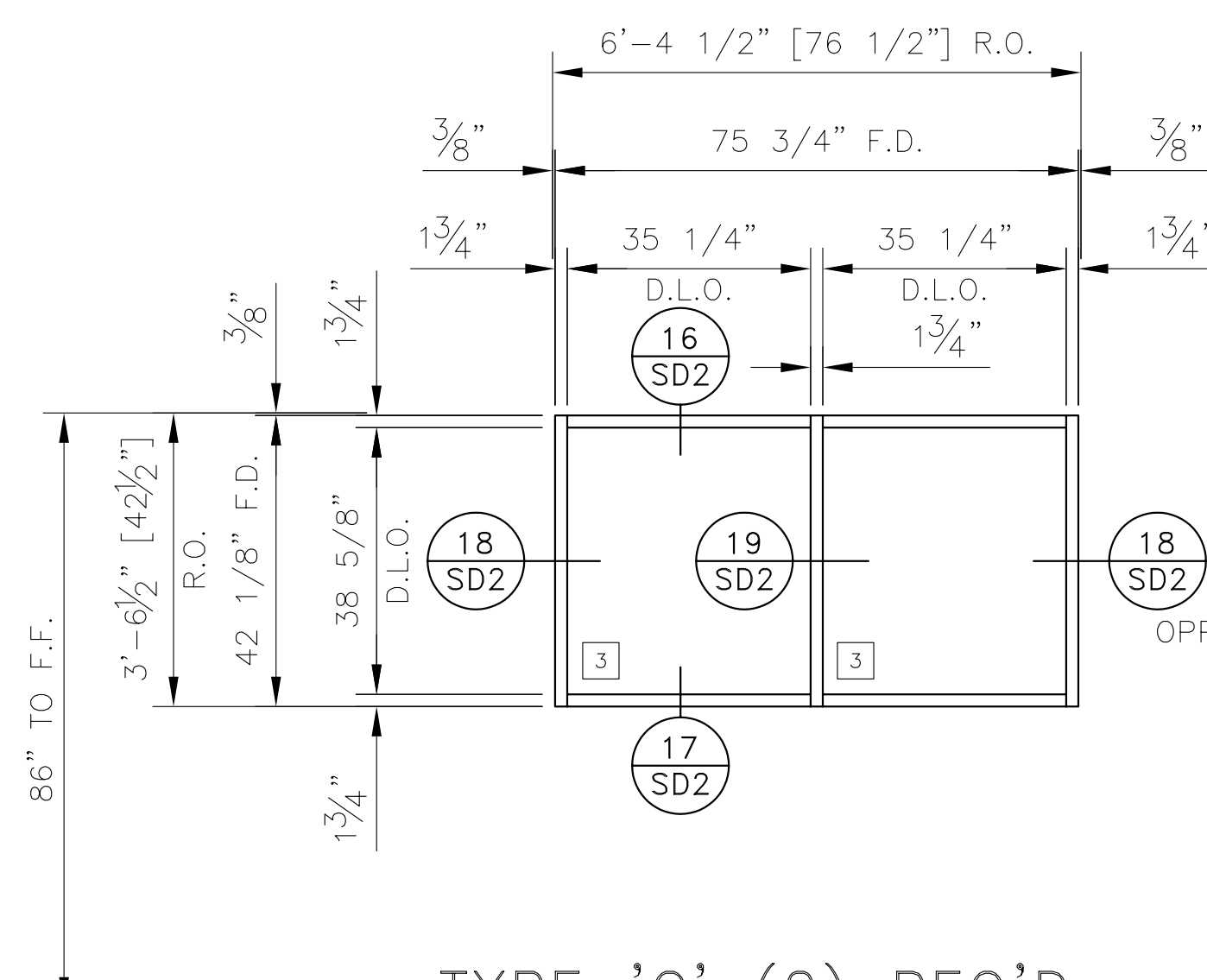
FP1



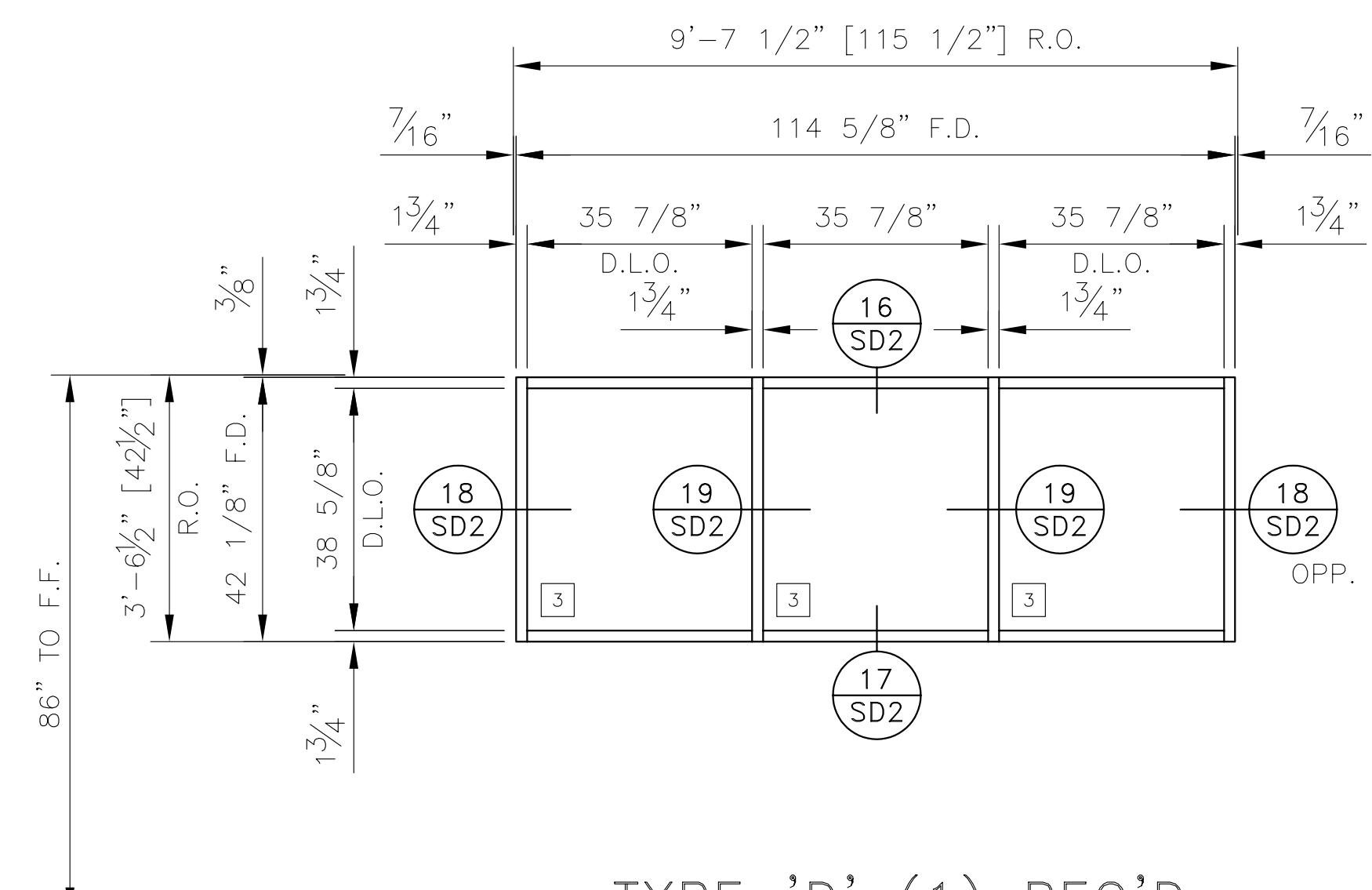
TYPE 'A' (2) REQ'D
YKK YES45TU STOREFRONT
ARCHITECTURAL REF.: A12



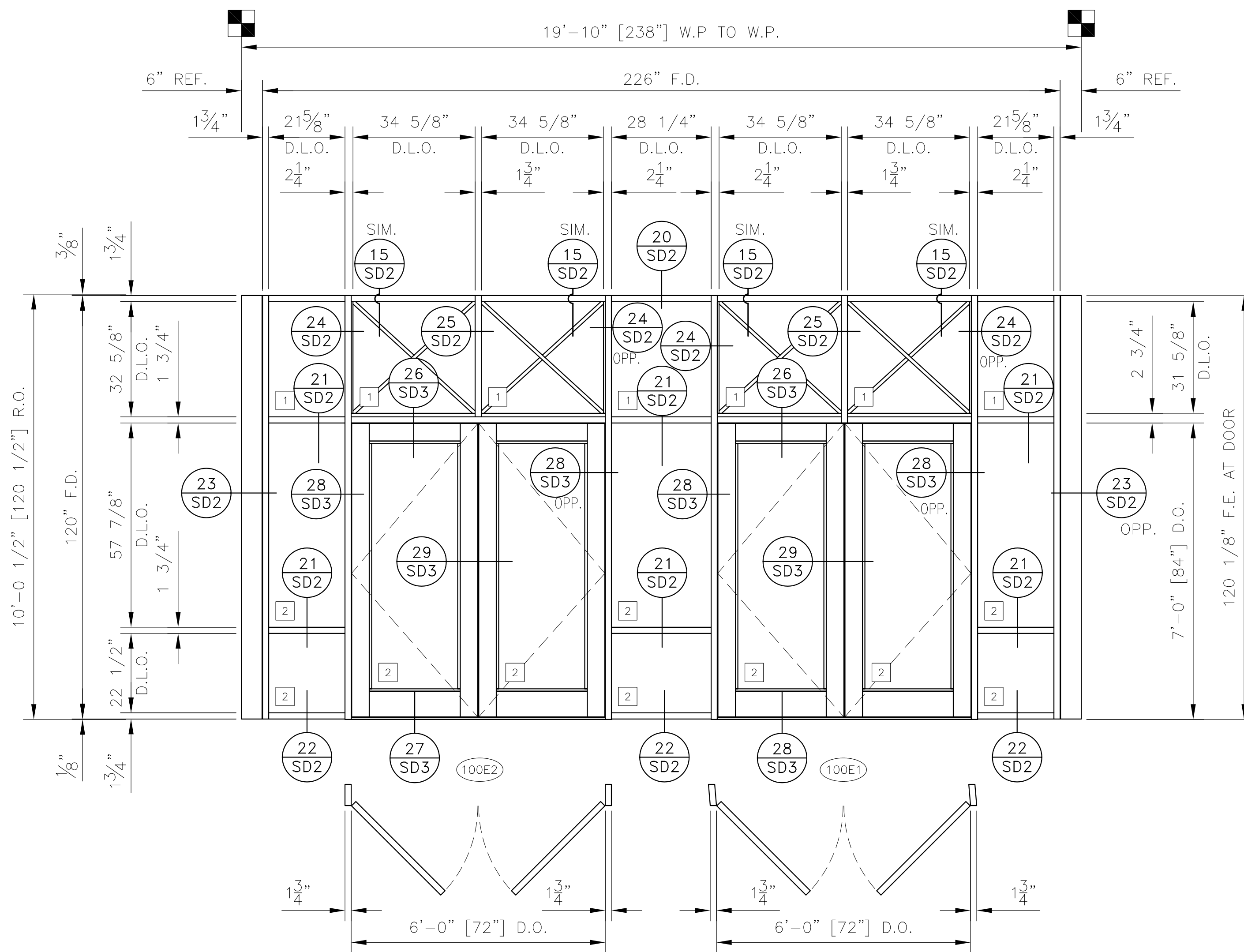
TYPE 'B' (3) REQ'D
YKK YES45TU STOREFRONT
ARCHITECTURAL REF.: A12



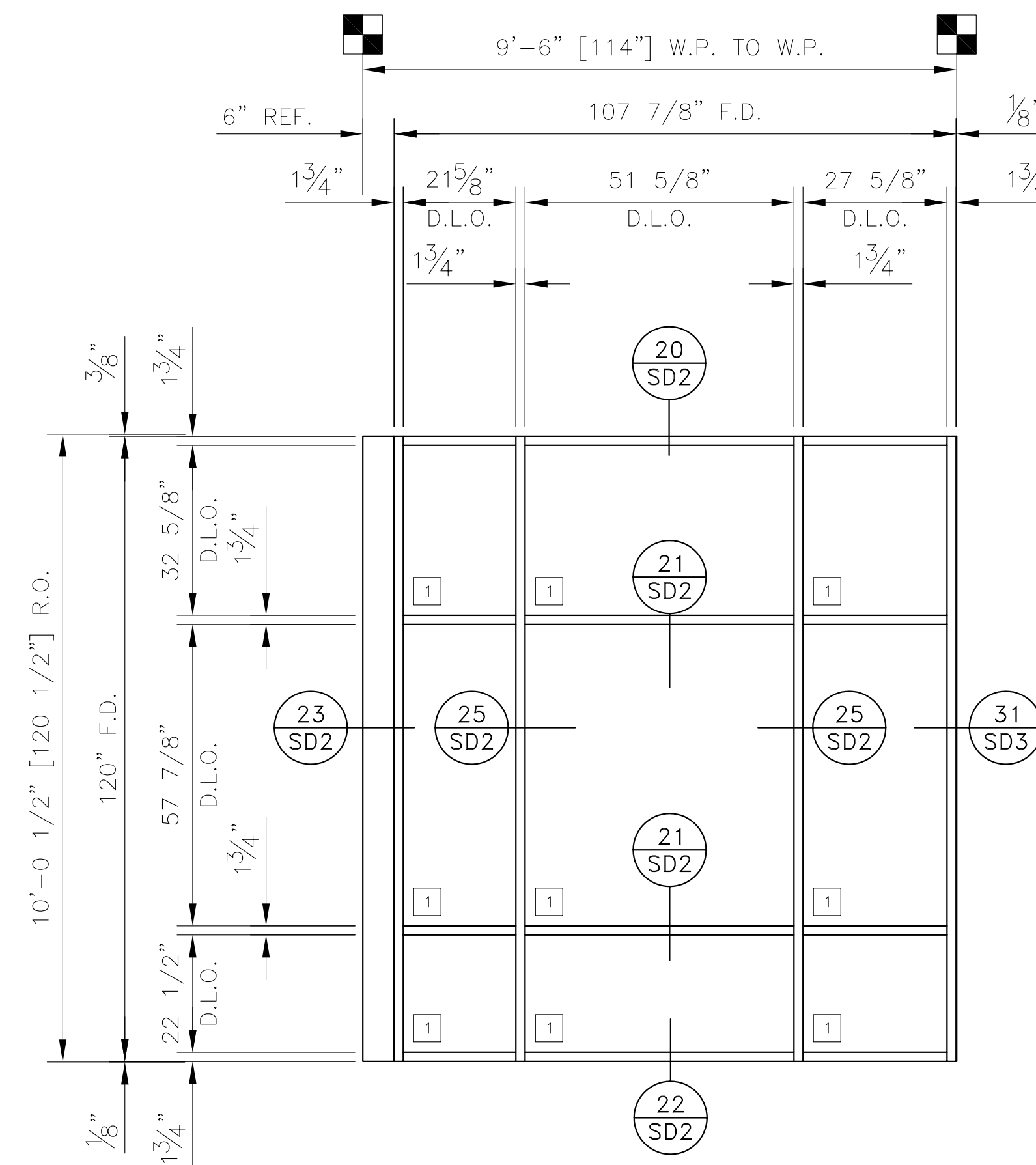
TYPE 'C' (2) REQ'D
YKK YES45FS STOREFRONT
ARCHITECTURAL REF.: A12



TYPE 'D' (1) REQ'D
YKK YES45FS STOREFRONT
ARCHITECTURAL REF.: A12



TYPE '1' (1) REQ'D
YKK YES600 STOREFRONT
ARCHITECTURAL REF.: A12



TYPE '2' (2) REQ'D (ONE OPP. HAND)
YKK YES600 STOREFRONT
ARCHITECTURAL REF.: A12

GLAZING CONTRACTOR:

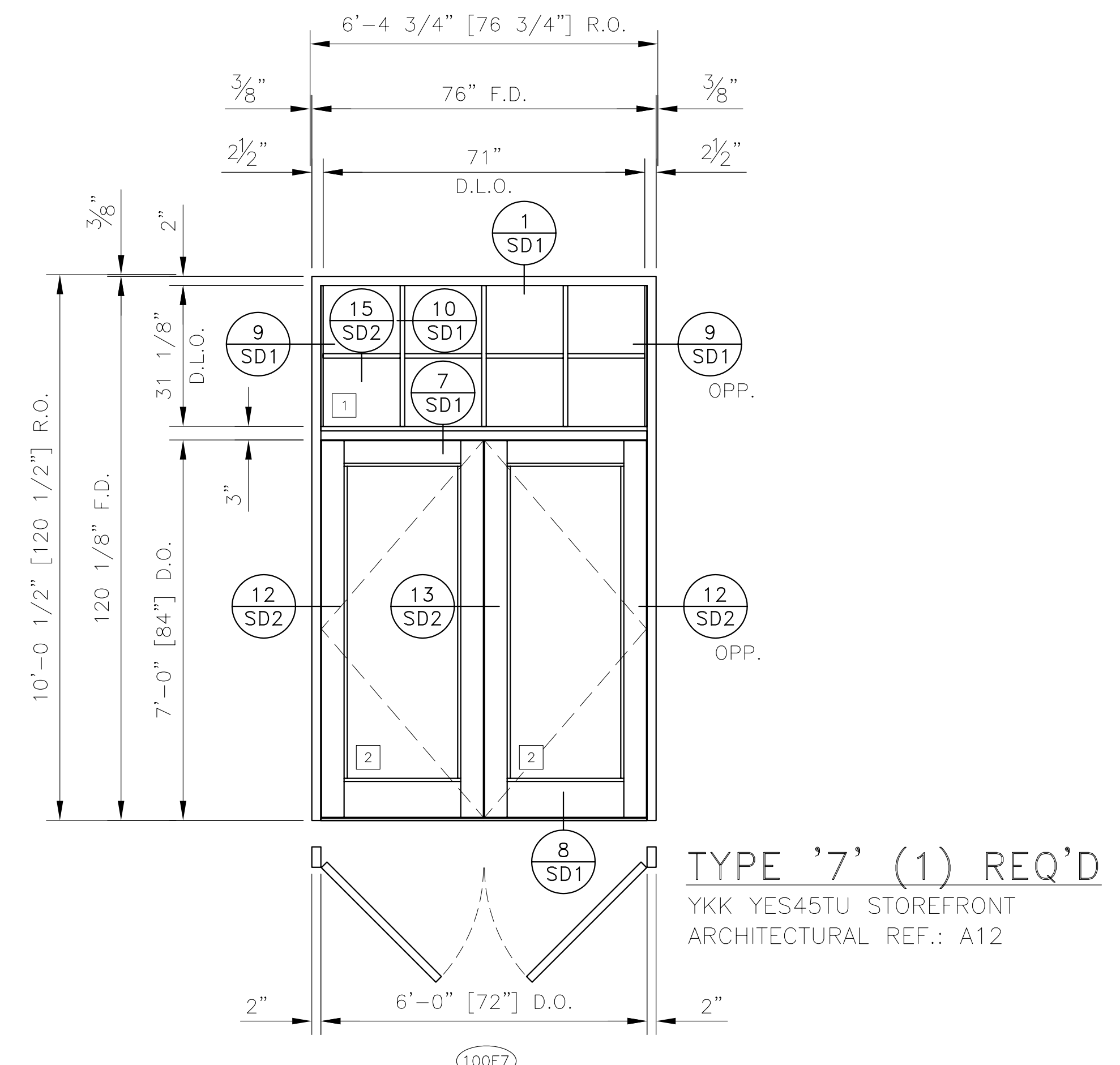
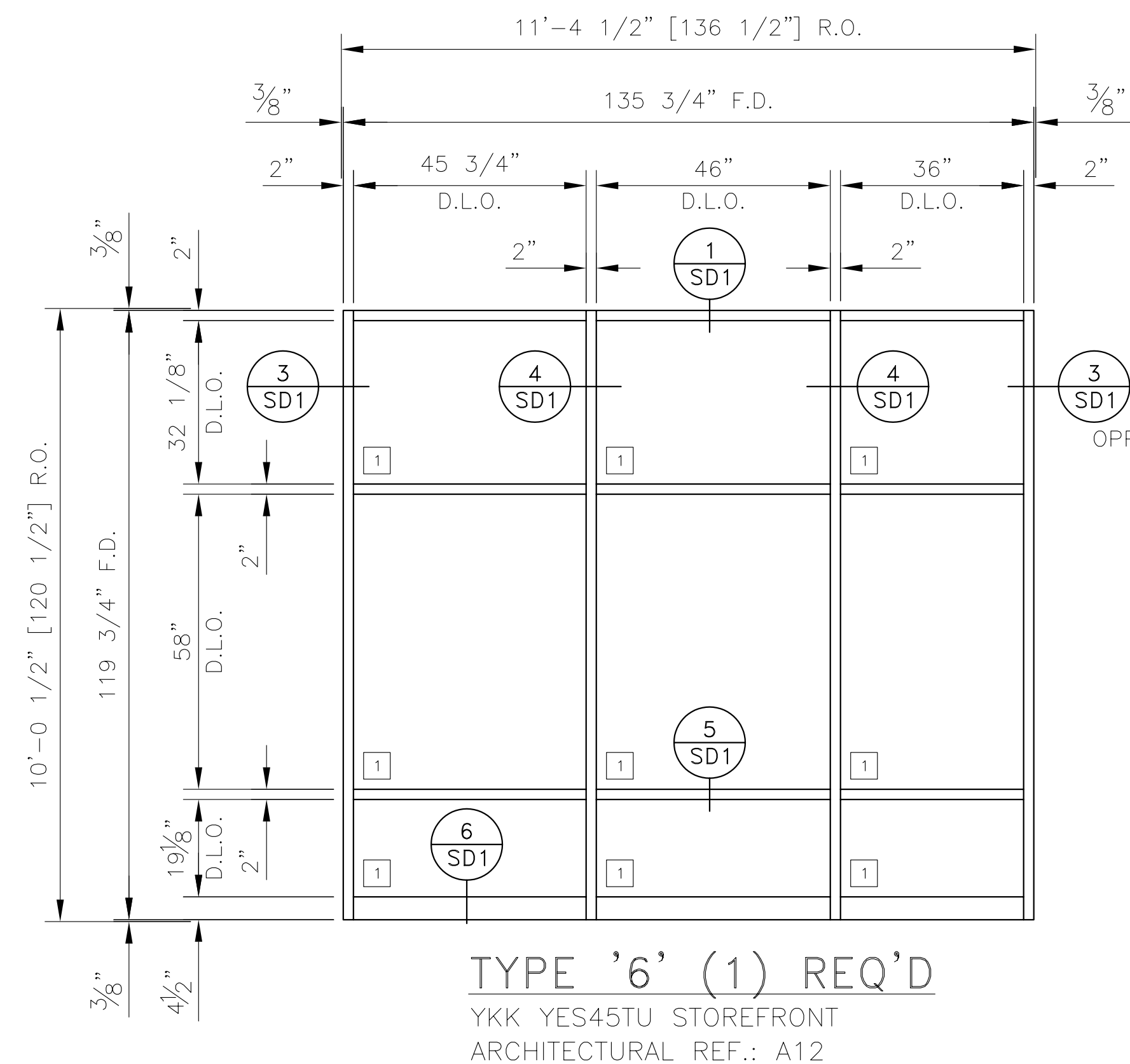
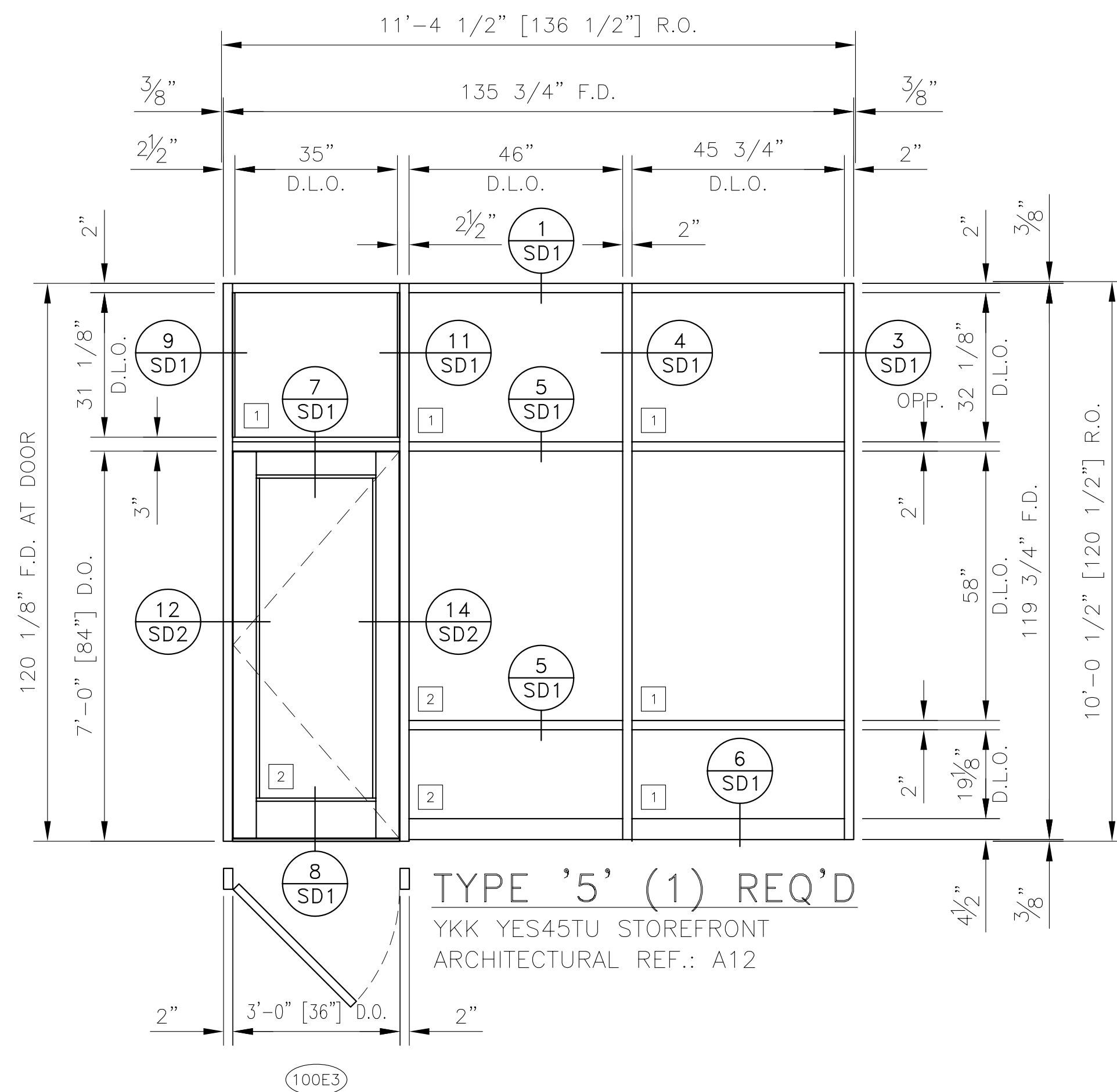
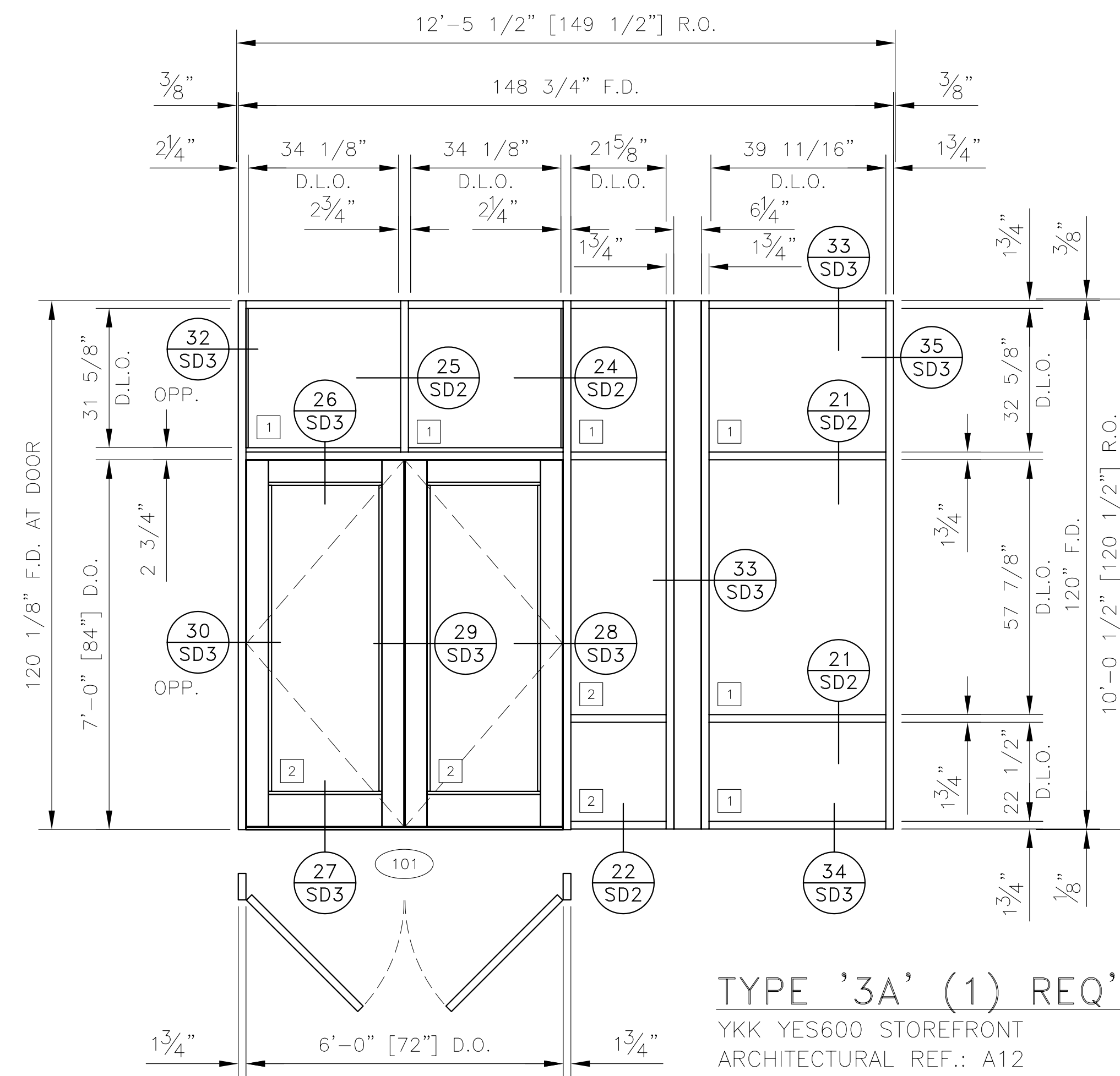
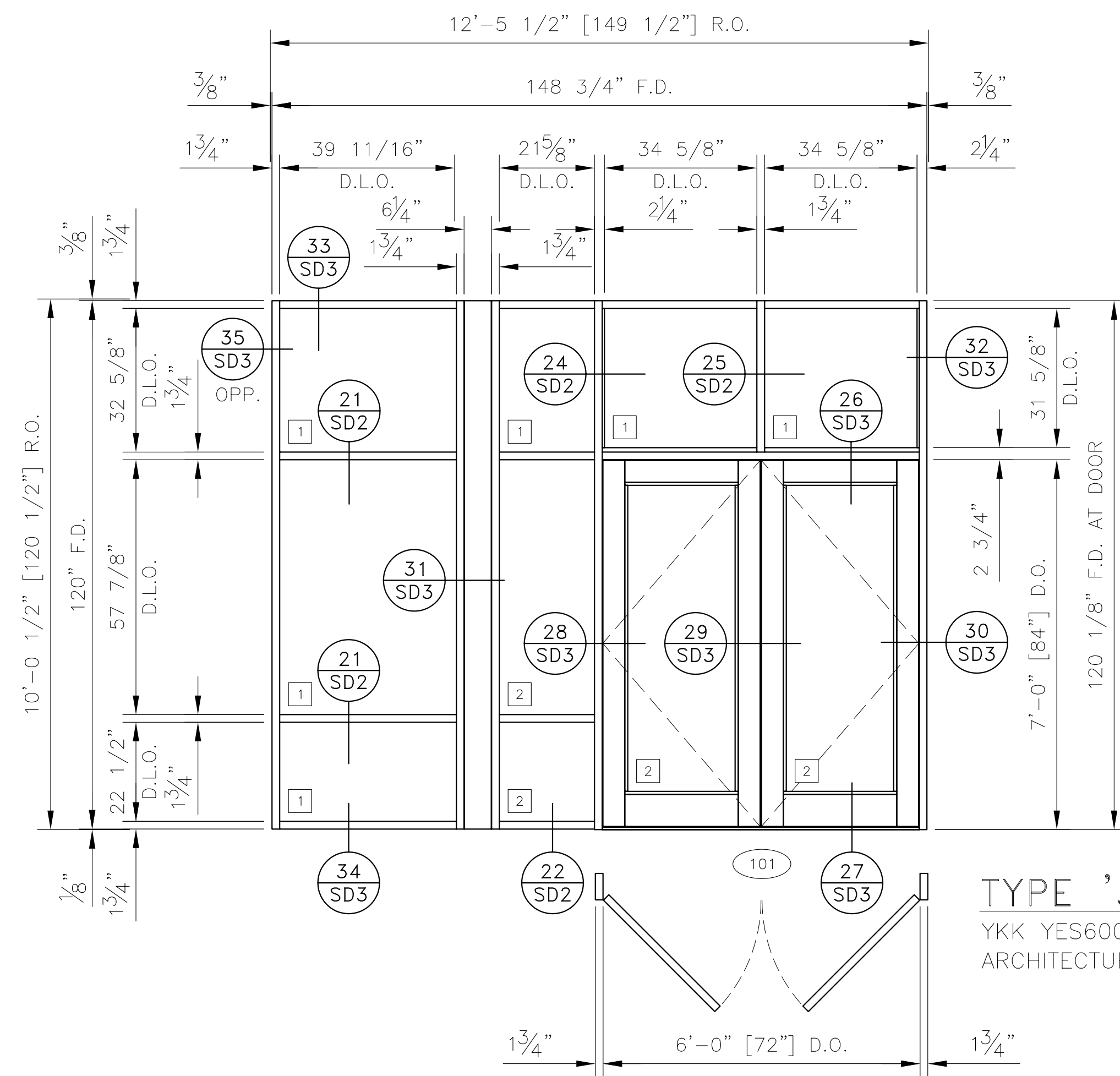
ARCHITECT:
OPECHEE
CONSTRUCTION CORPORATION
11 CORPORATE DRIVE, BELMONT, MA 02459
PHONE (603) 527-9000 FAX (603) 527-9171

STOREFRONT ELEVATIONS
PROJECT: ROCHESTER HARLEY-DAVIDSON
LOCATION: ROCHESTER, NEW HAMPSHIRE

Glazier's Resource Inc.
"Your Source For Glazing Design and Drafting"
218 NORTH STATE ST., SUITE 105
CONCORD, NH 03301-5322
PH. 603.860.0186
WWW.GLAZIERSRESOURCE.COM

SCALE:
1/2"=1'-0"
DATE:
10/13/2006
PROJECT:
GR06-0143
SHEET:

SE1



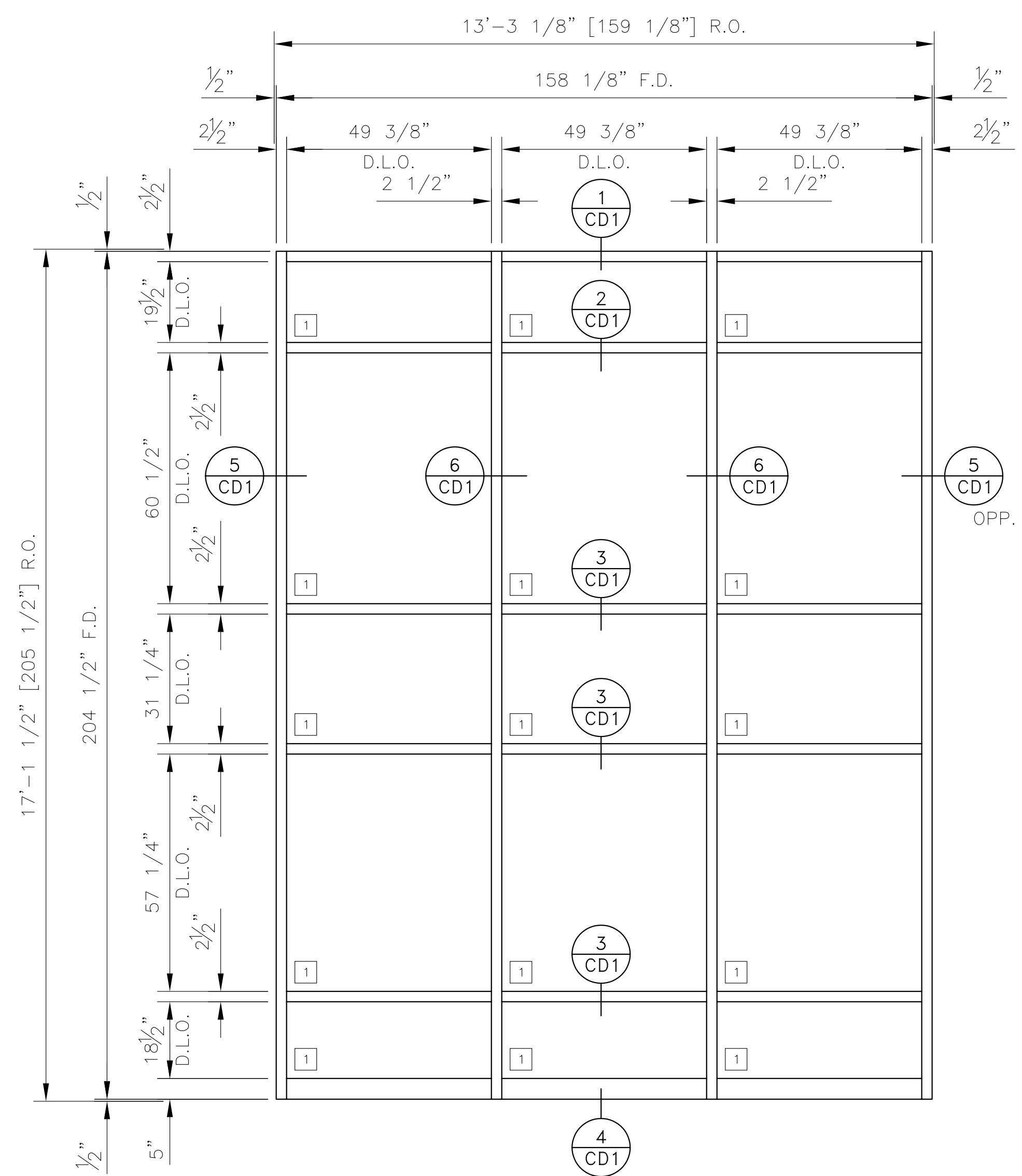
GLAZING CONTRACTOR:

ARCHITECT: **OPECHEE**
CONSTRUCTION CORPORATION
1 CORPORATE DRIVE, BELMONT, MA 02220
PHONE: (603) 527-9000 FAX: (603) 527-9191

STOREFRONT ELEVATIONS
PROJECT: ROCHESTER HARLEY-DAVIDSON
LOCATION: ROCHESTER, NEW HAMPSHIRE

Glazier's Resource Inc.
"Your Glazier, Electrician, Painter and Drywall"
208 NORTH STATE ST., SUITE 105
CONCORD, NH 03301-5222
PH: 603.860.0186
www.glaziersresource.com

SCALE: 1/2"=1'-0"
DATE: 10/13/2006
PROJECT: GR06/0143
SHEET: **SE2**



TYPE '4' (2) REQ'D
 YKK YCW750 STOREFRONT
 ARCHITECTURAL REF.: A12

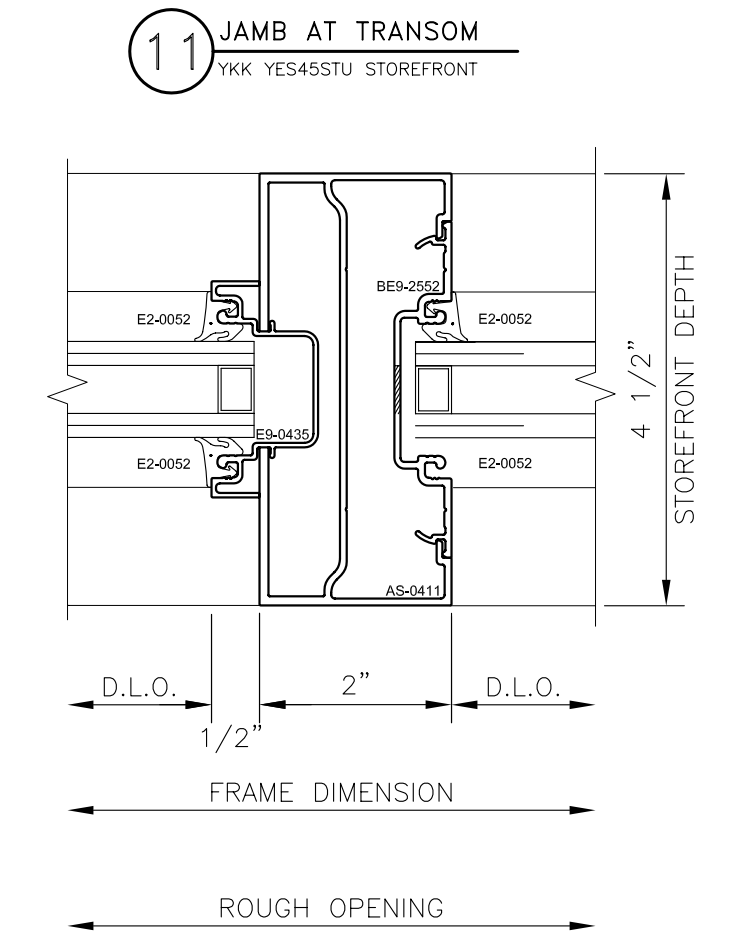
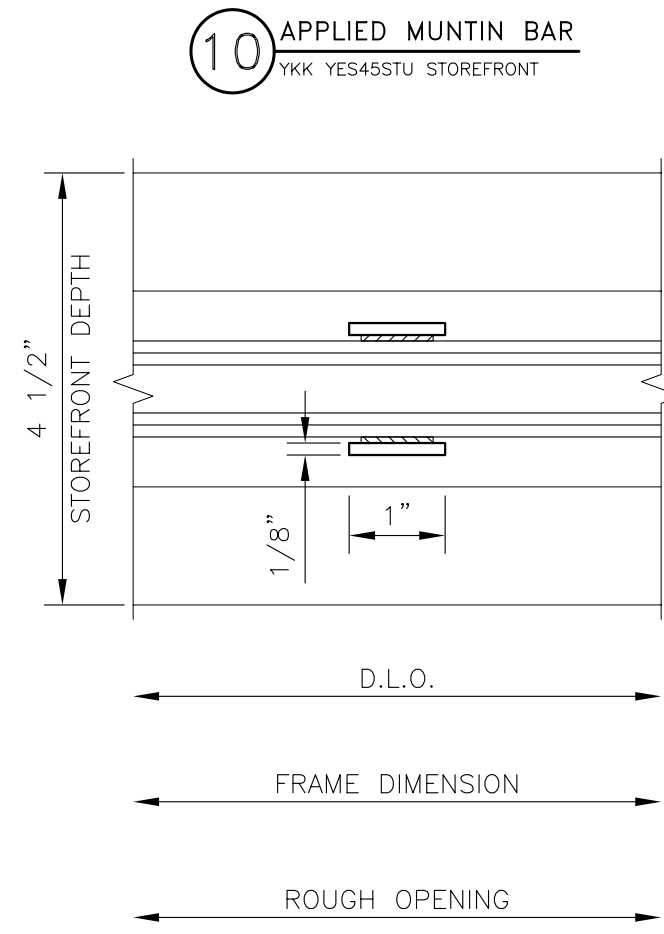
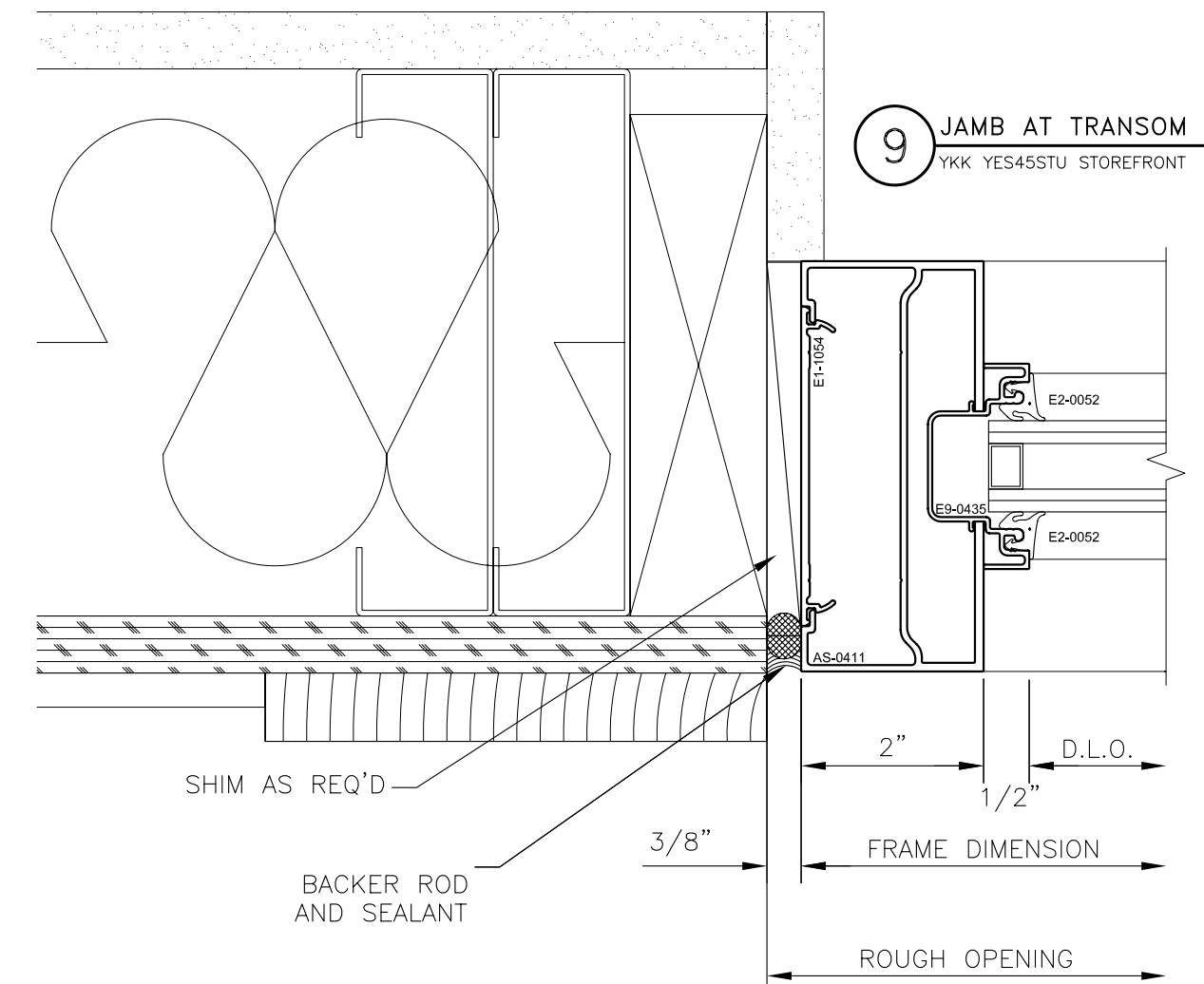
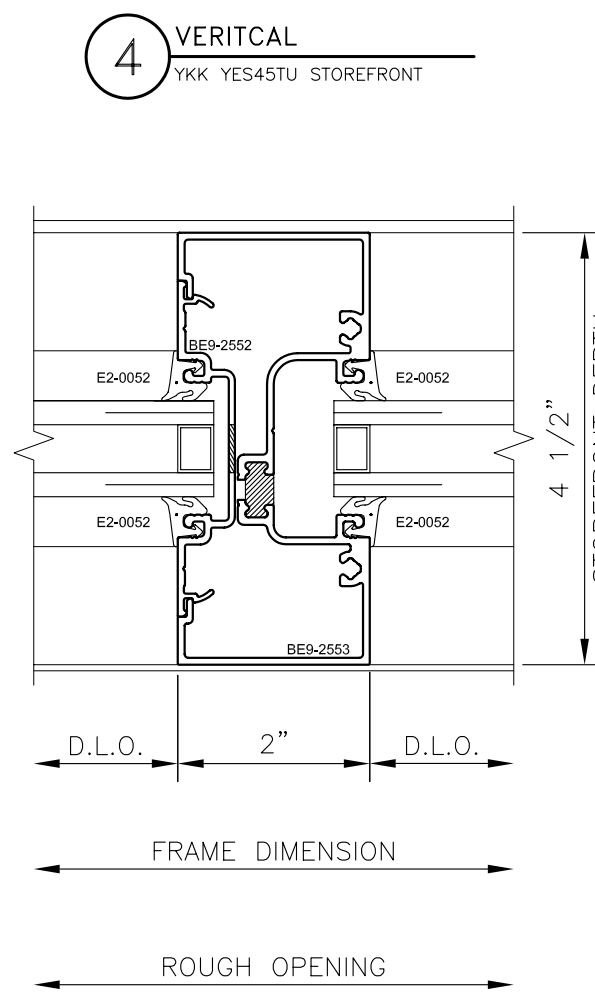
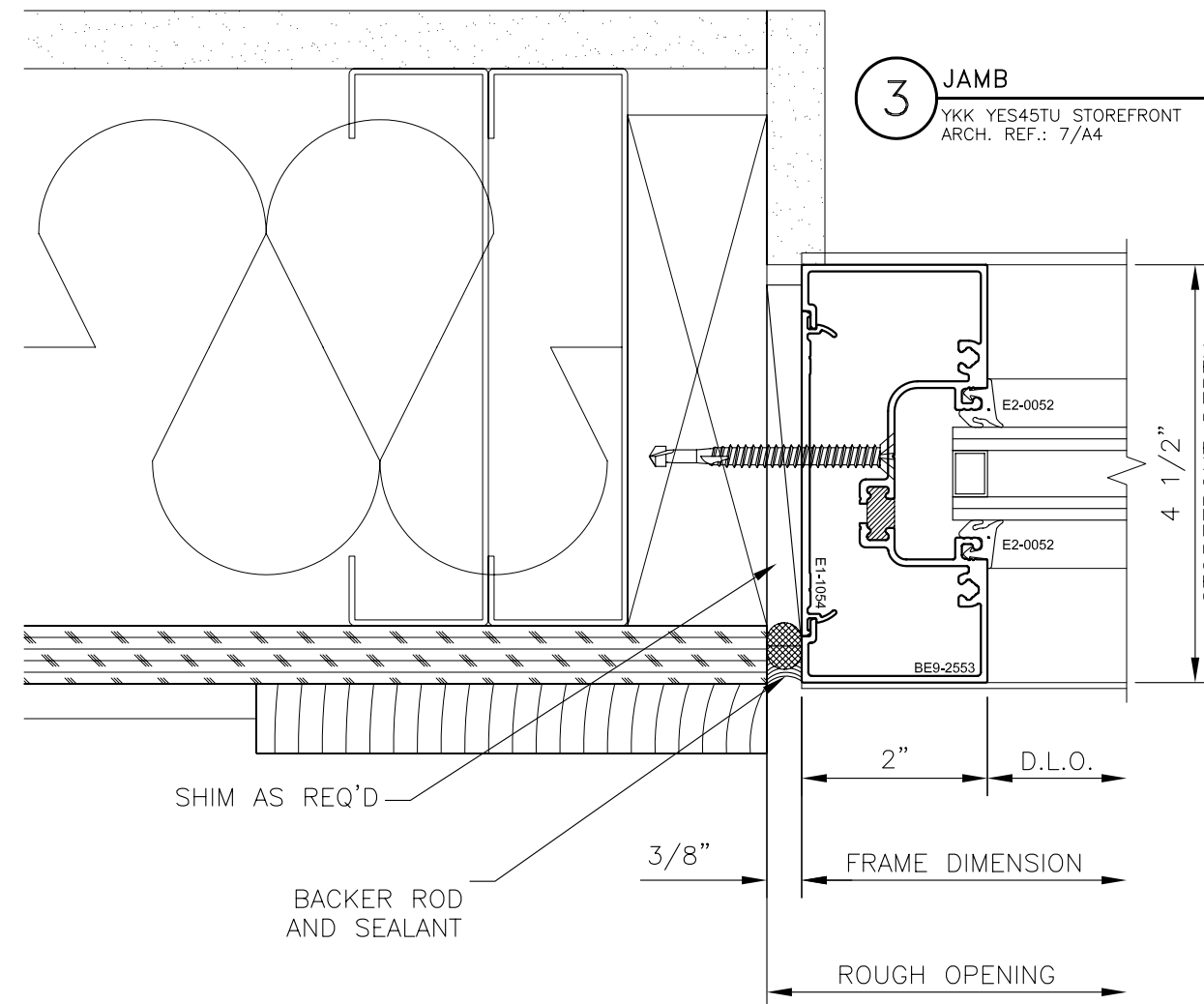
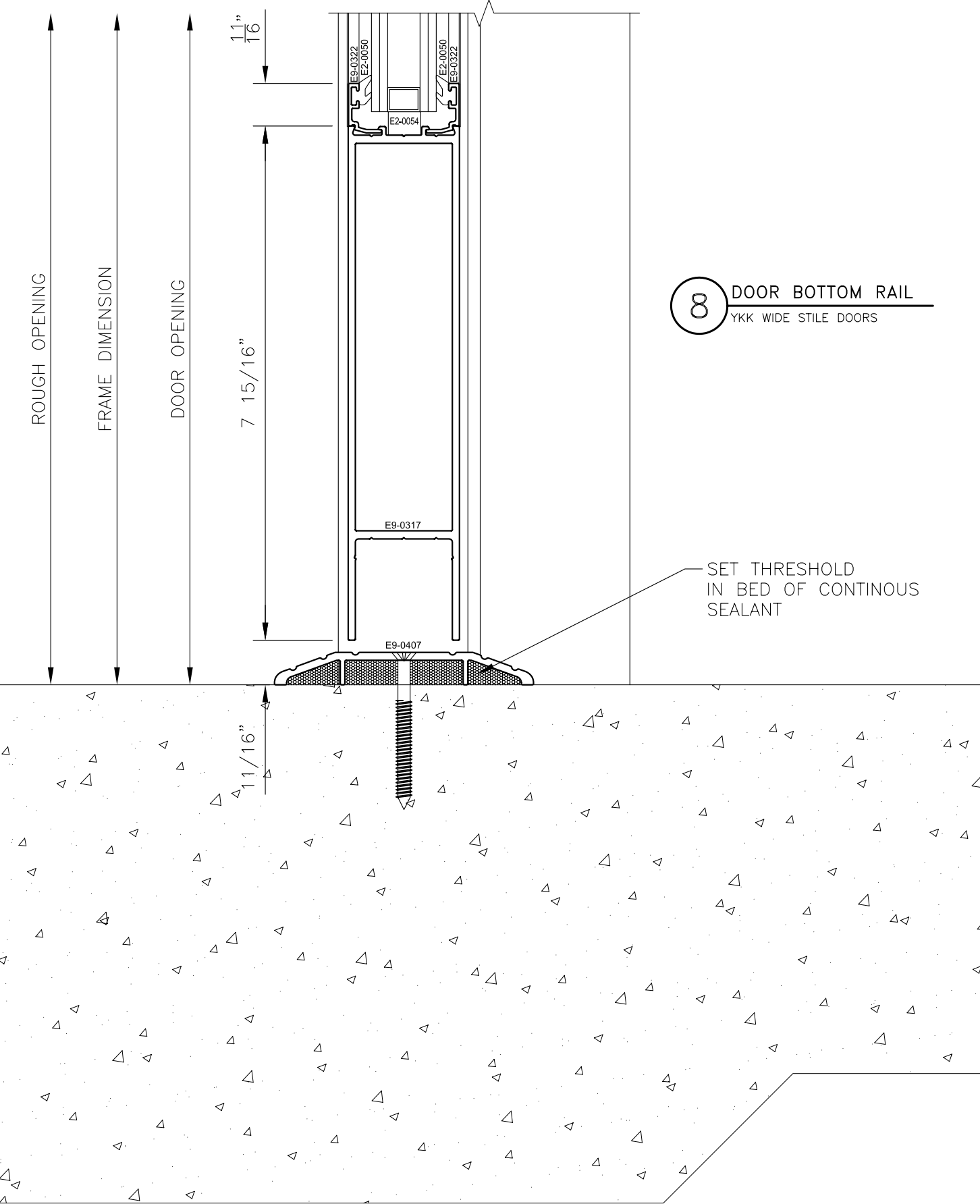
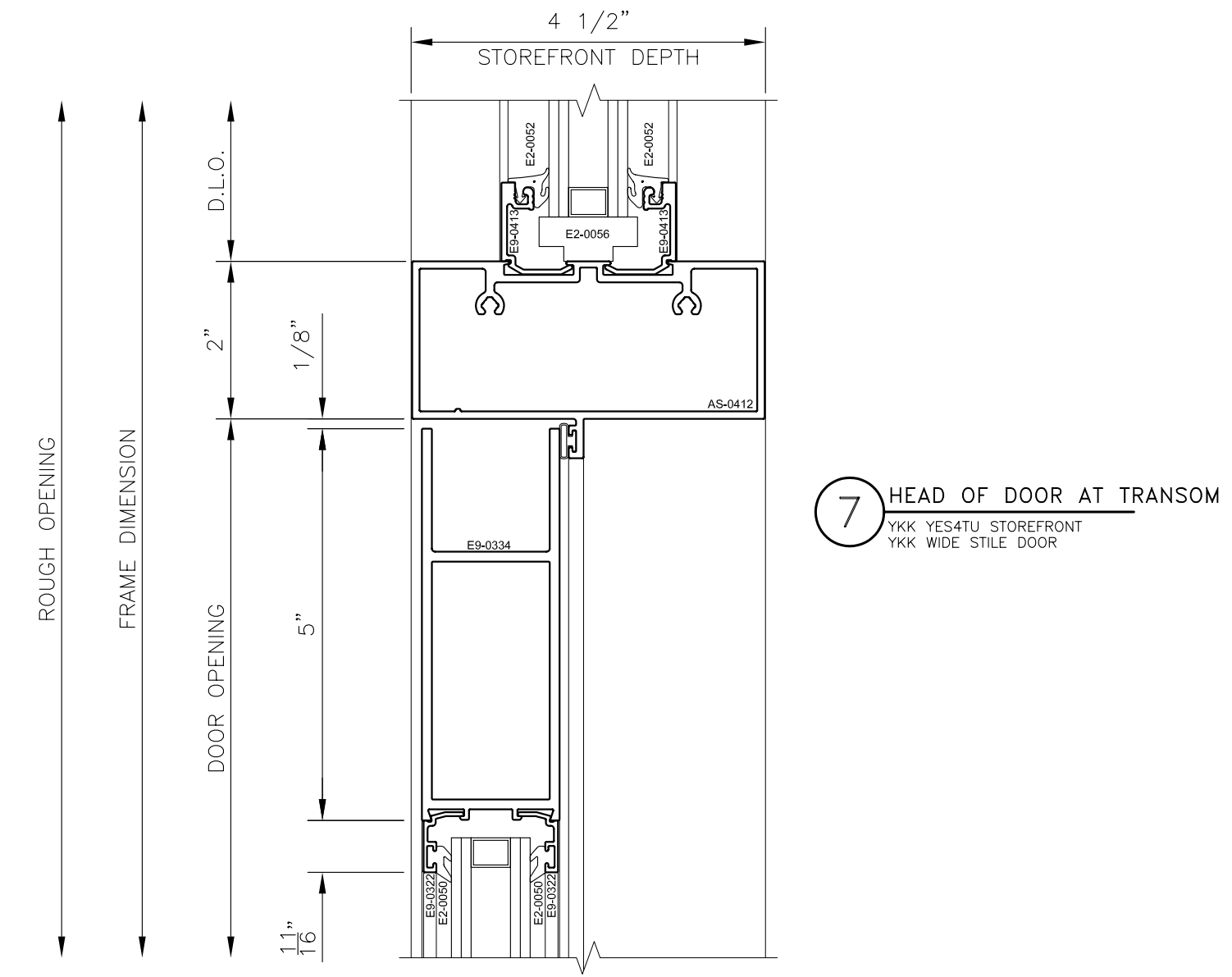
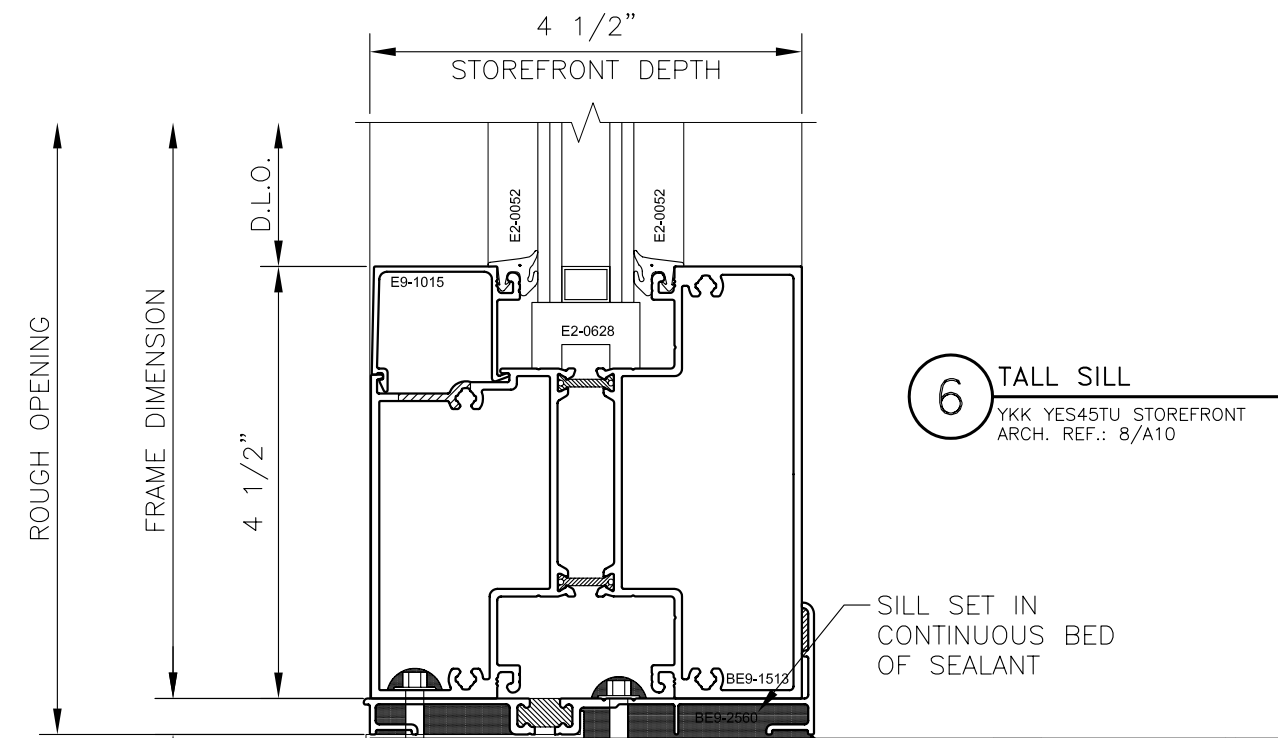
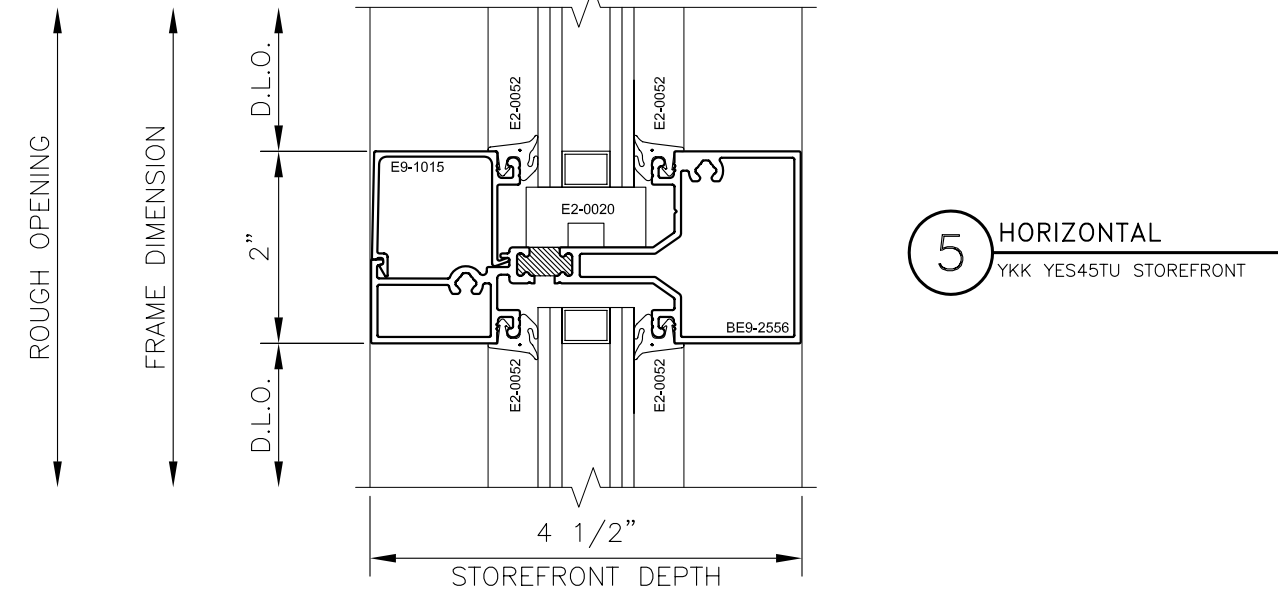
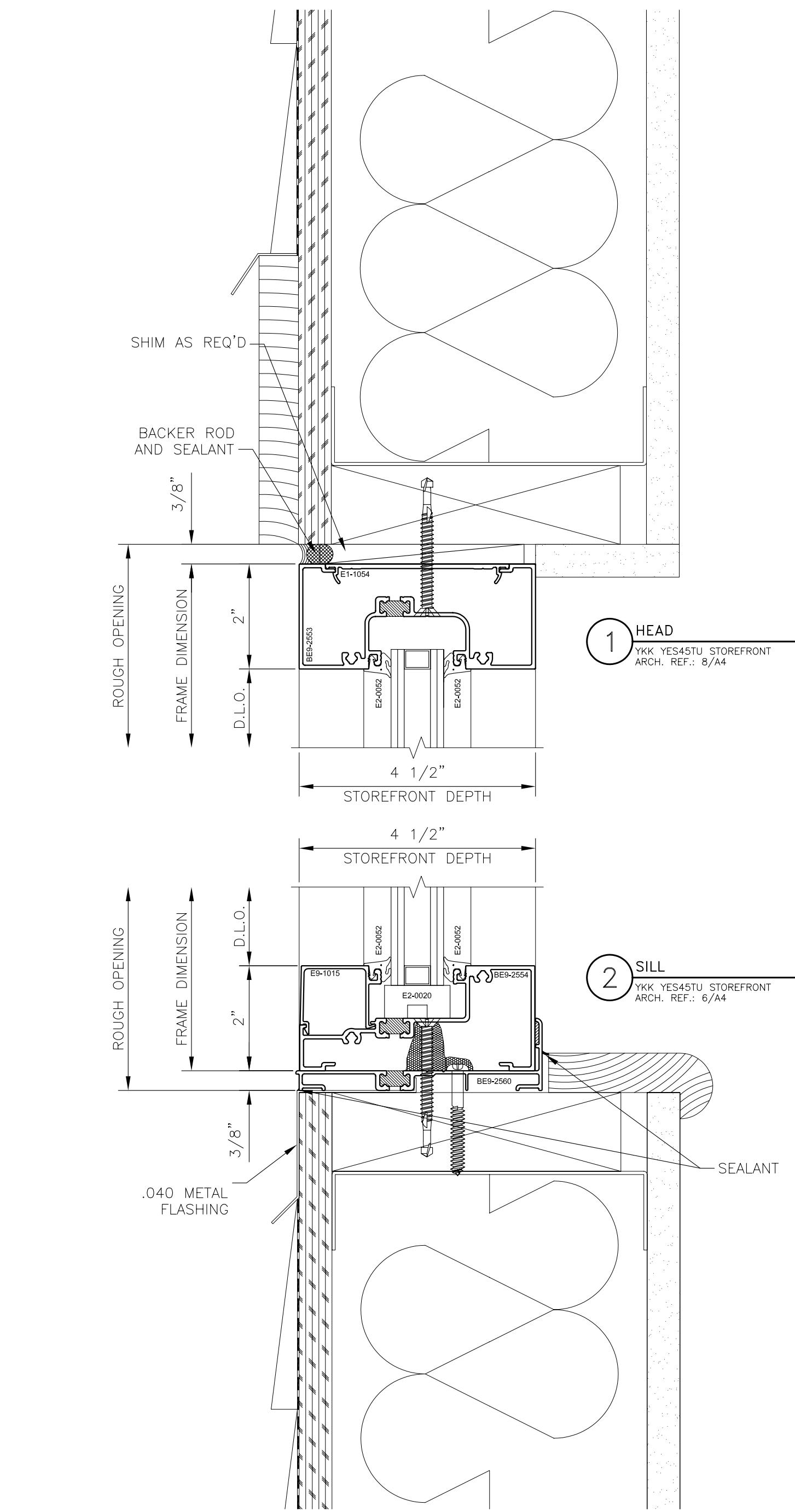
GLAZING CONTRACTOR:

ARCHITECT:
OPECHEE
 CONSTRUCTION CORPORATION
 1 CORPORATE DRIVE BELMONT, NJ 08220
 PHONE: (609) 327-9000 FAX: (609) 327-9174

CURTAIN WALL ELEVATION
 PROJECT: ROCHESTER HARLEY-DAVIDSON
 LOCATION: ROCHESTER, NEW HAMPSHIRE

Glazier's Resource Inc.
"New to Spray Glazing, Design and Drafting"
 218 NORTH STATE ST., SUITE 105
 CONCORD, NH 03301-5222
 PH. 603.860.0198
 www.glaziersresource.com

SCALE:
 1/2"=1'-0"
 DATE:
 10/13/2006
 PROJECT:
 GR06-0143
 SHEET:
CE1



GLAZING CONTRACTOR:

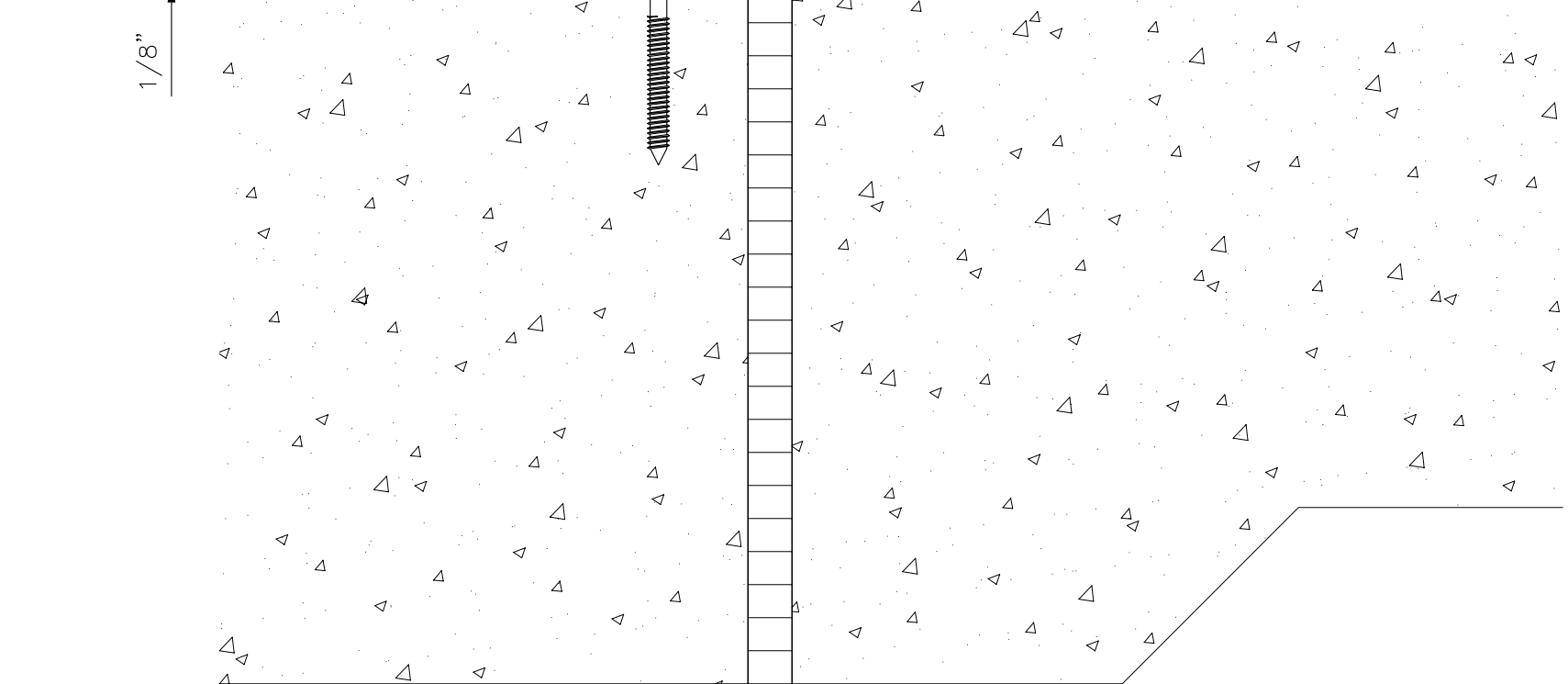
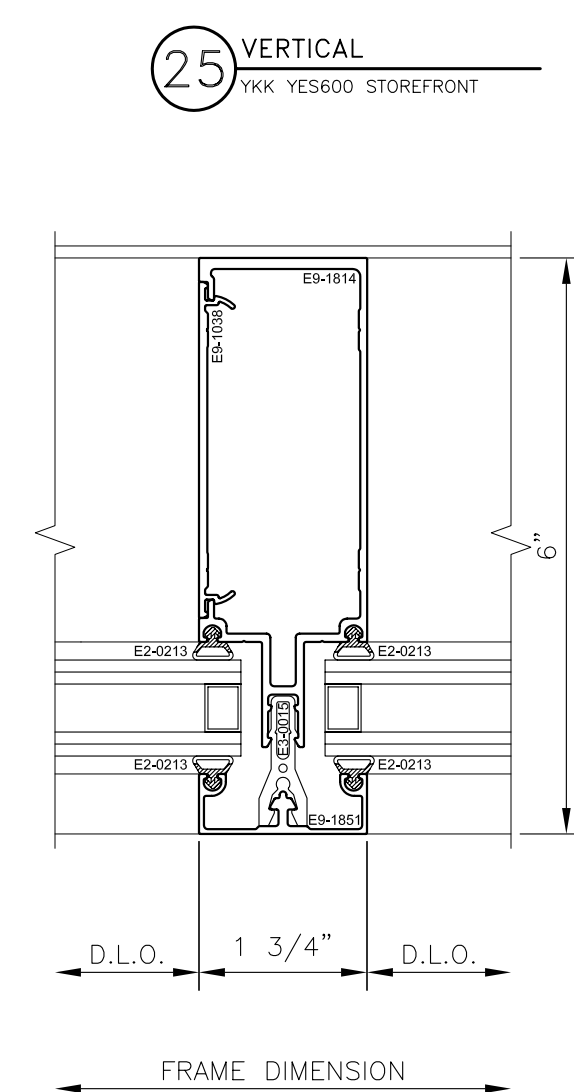
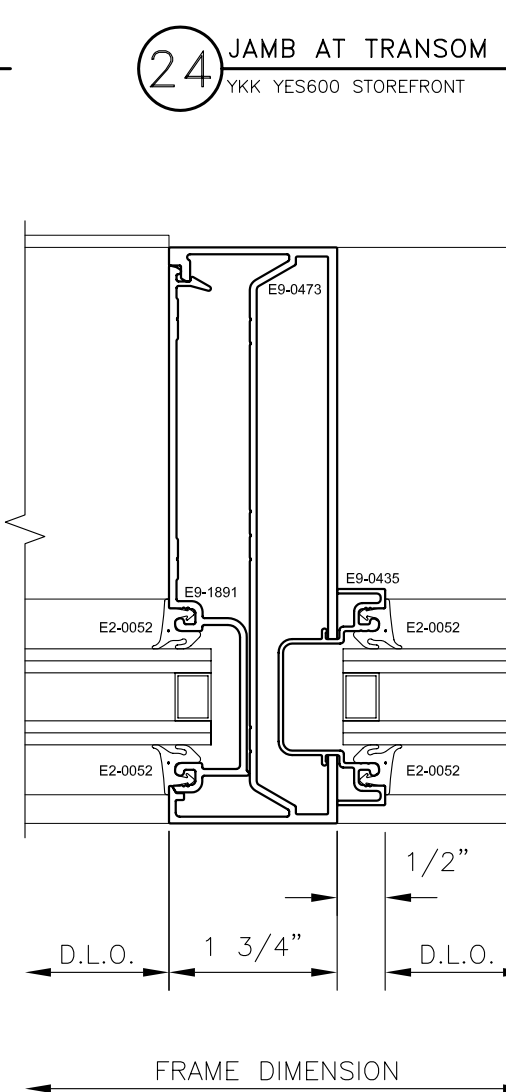
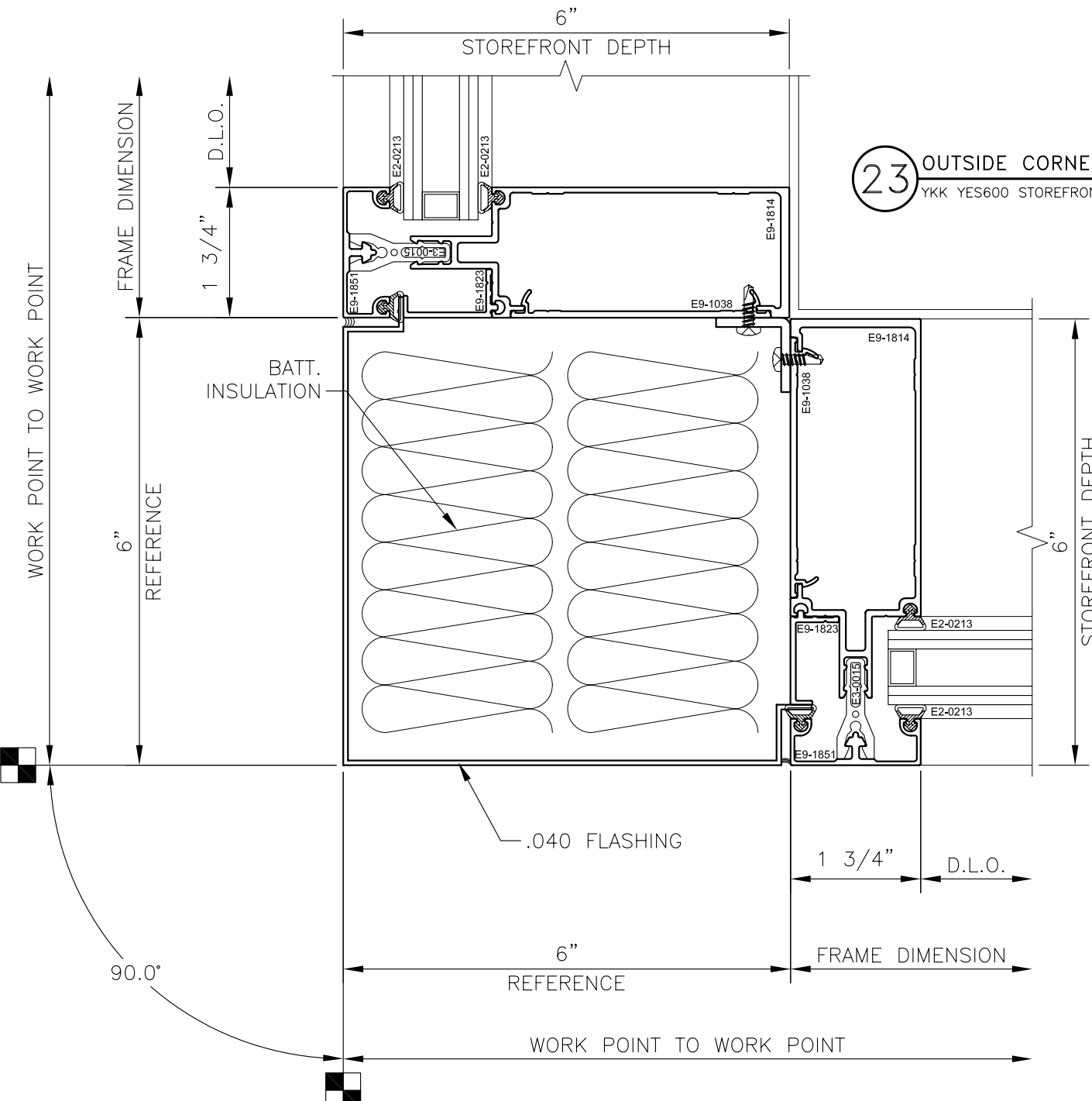
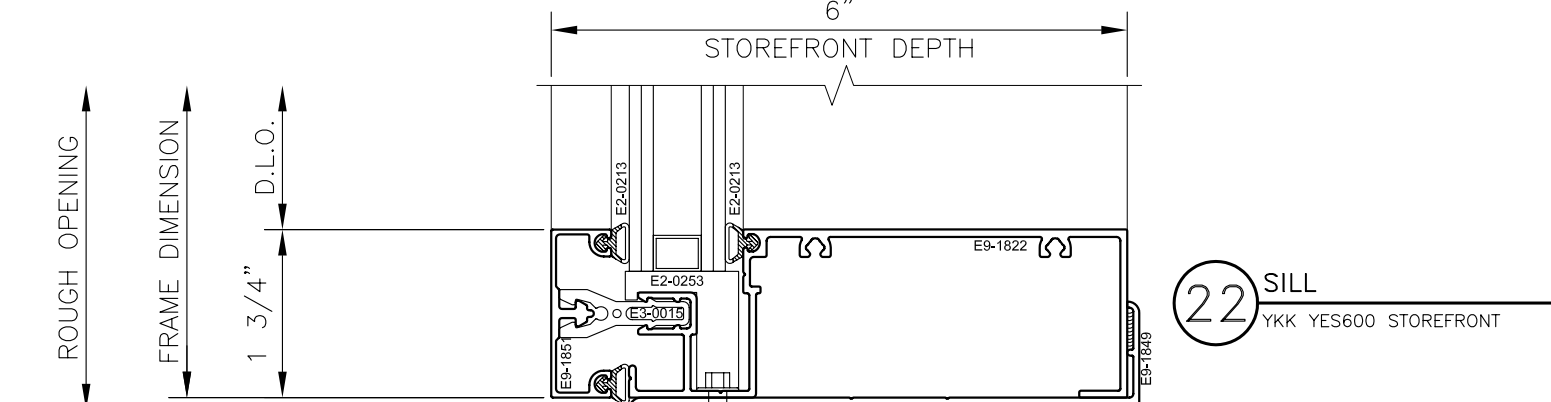
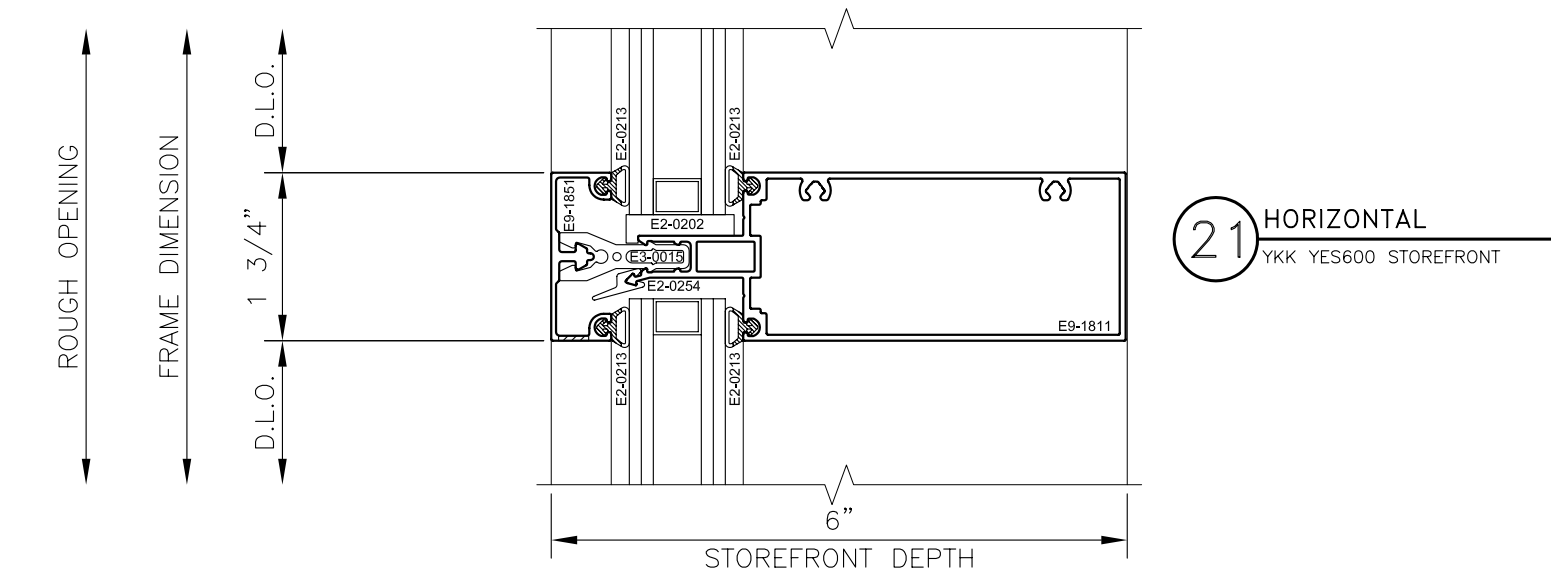
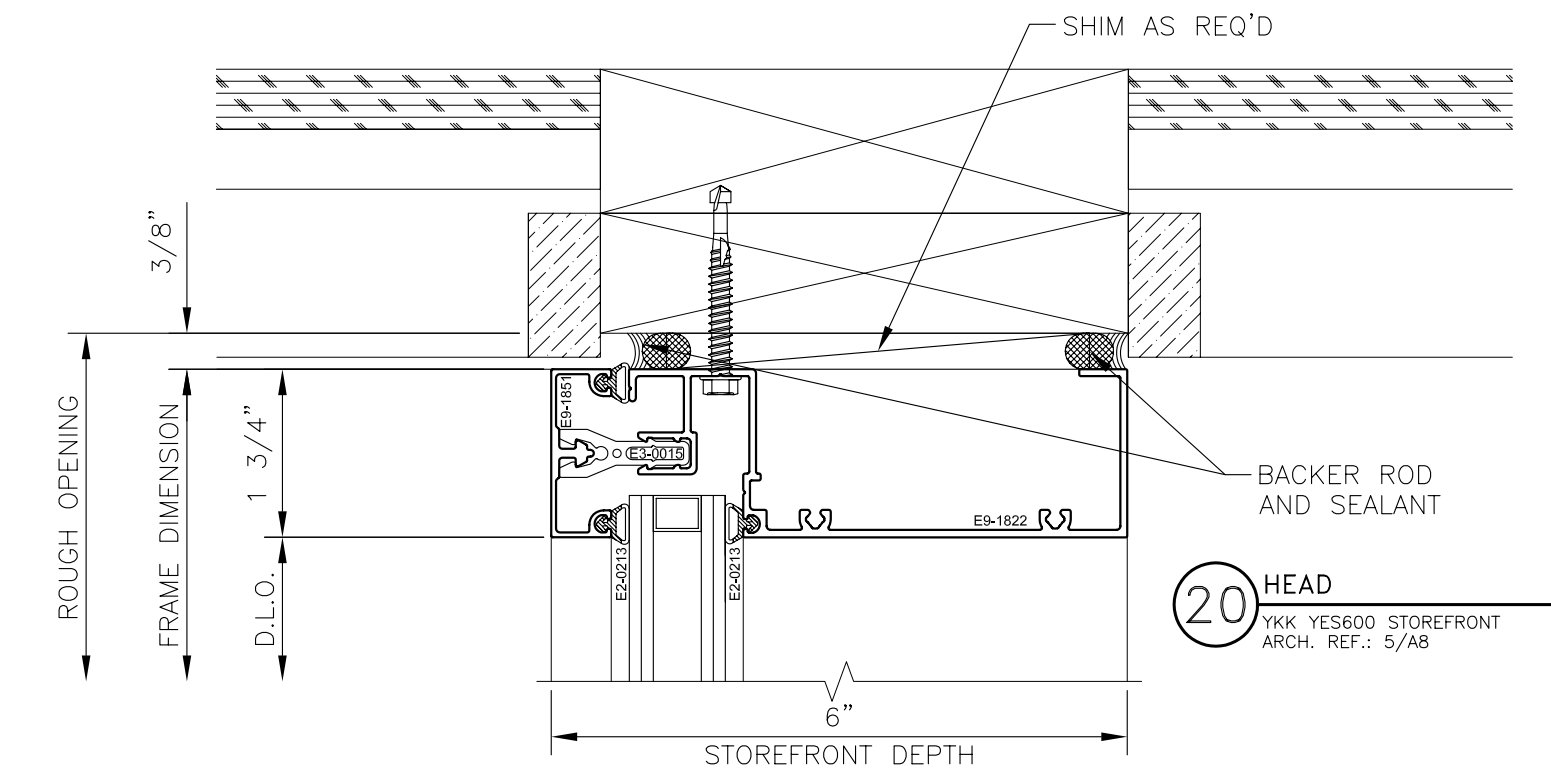
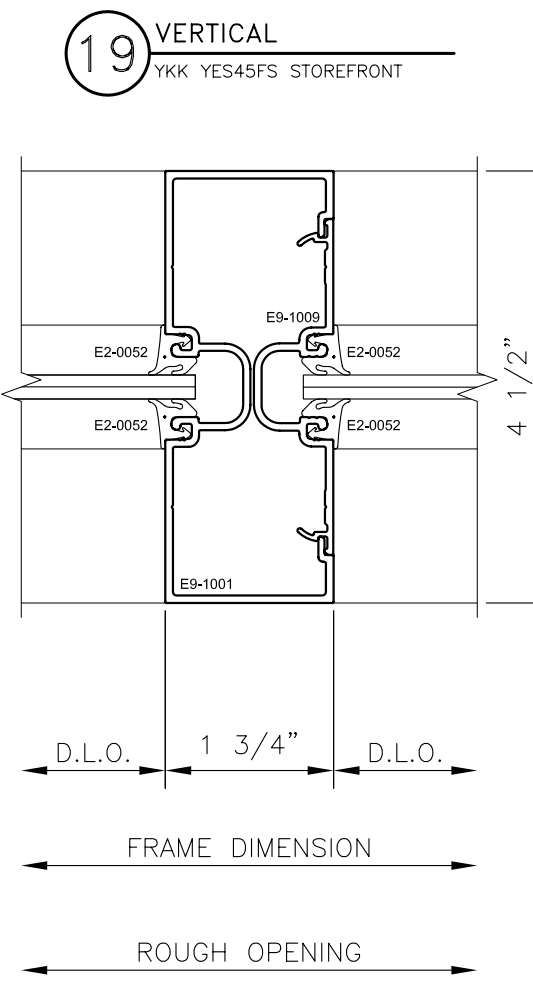
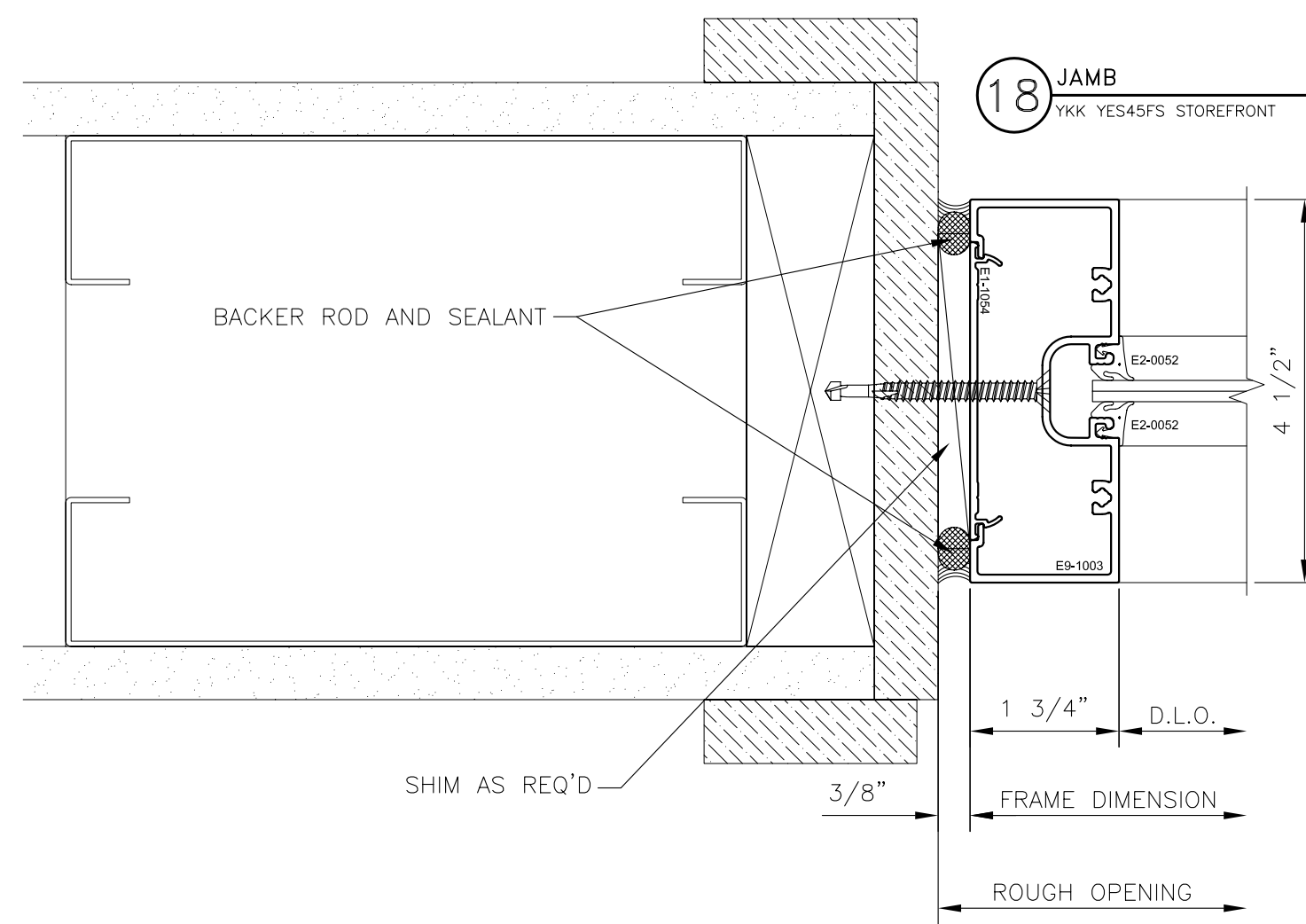
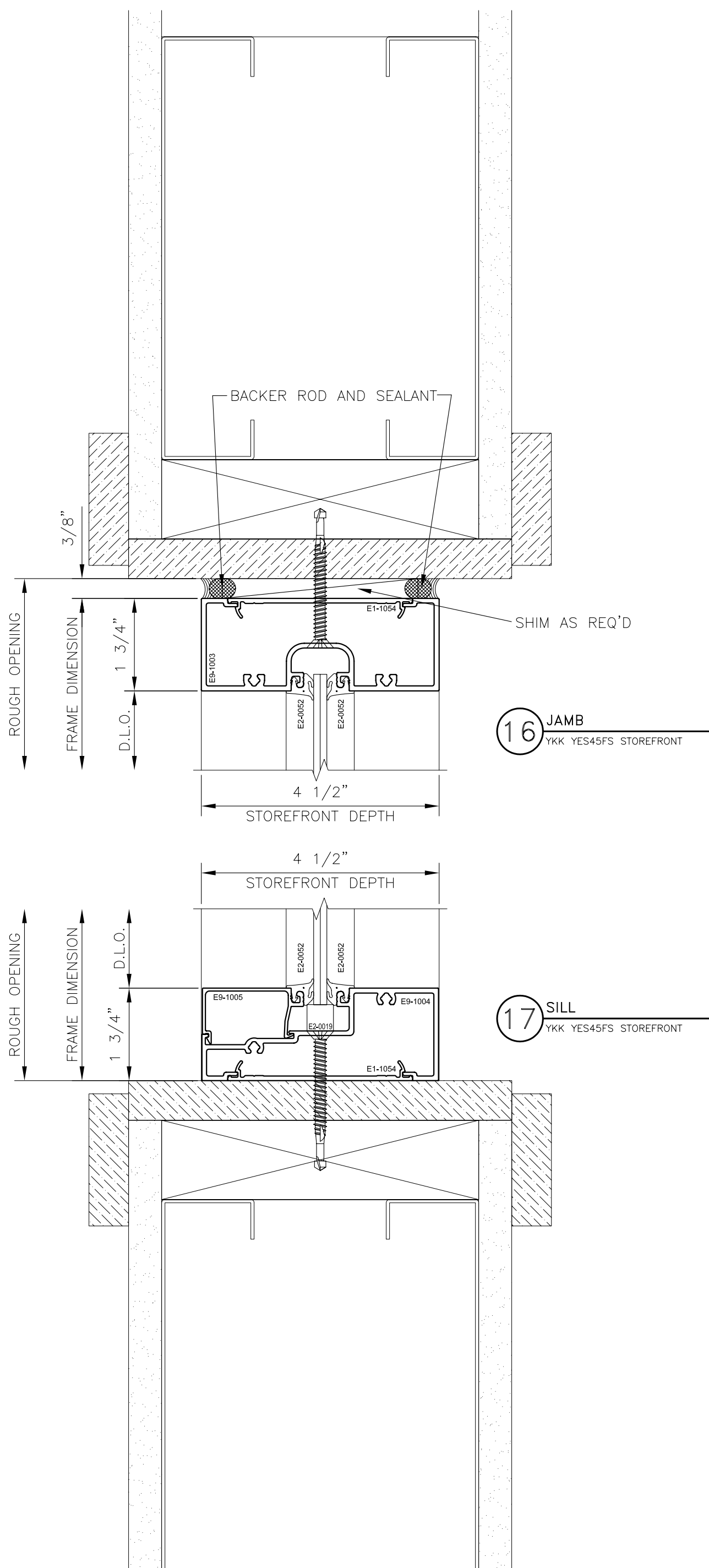
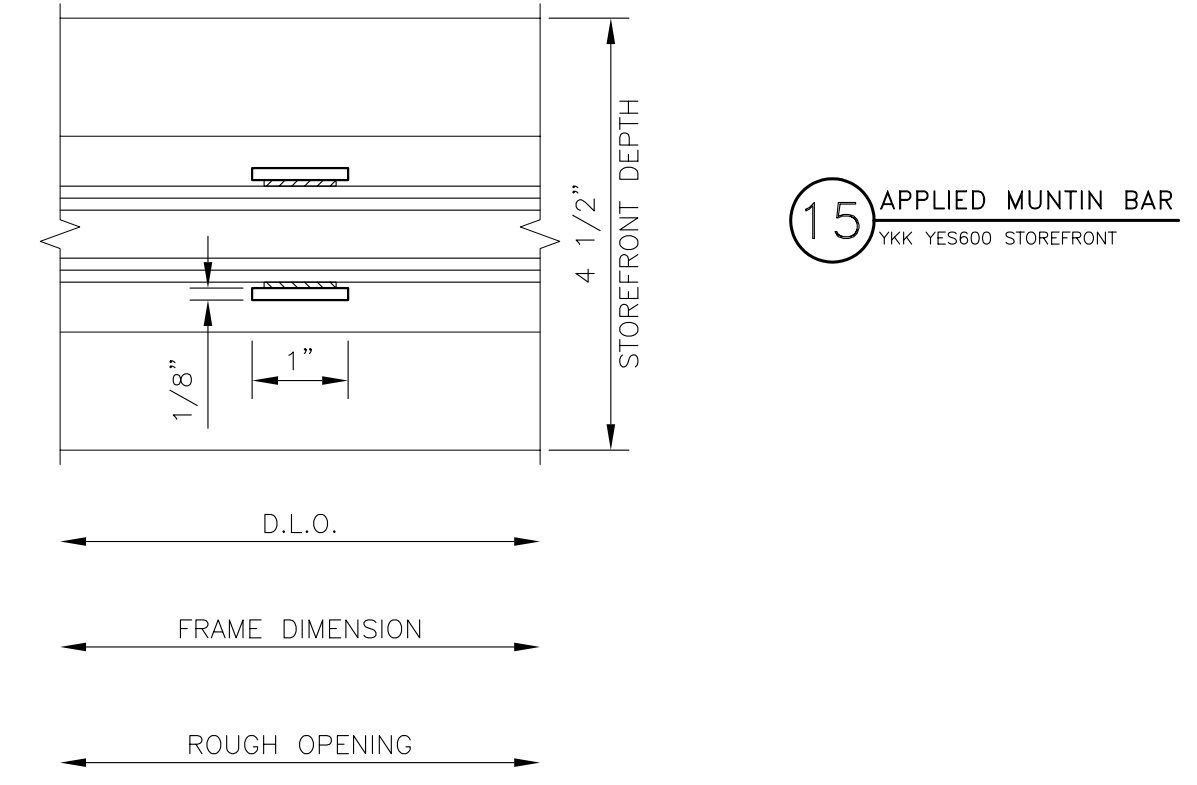
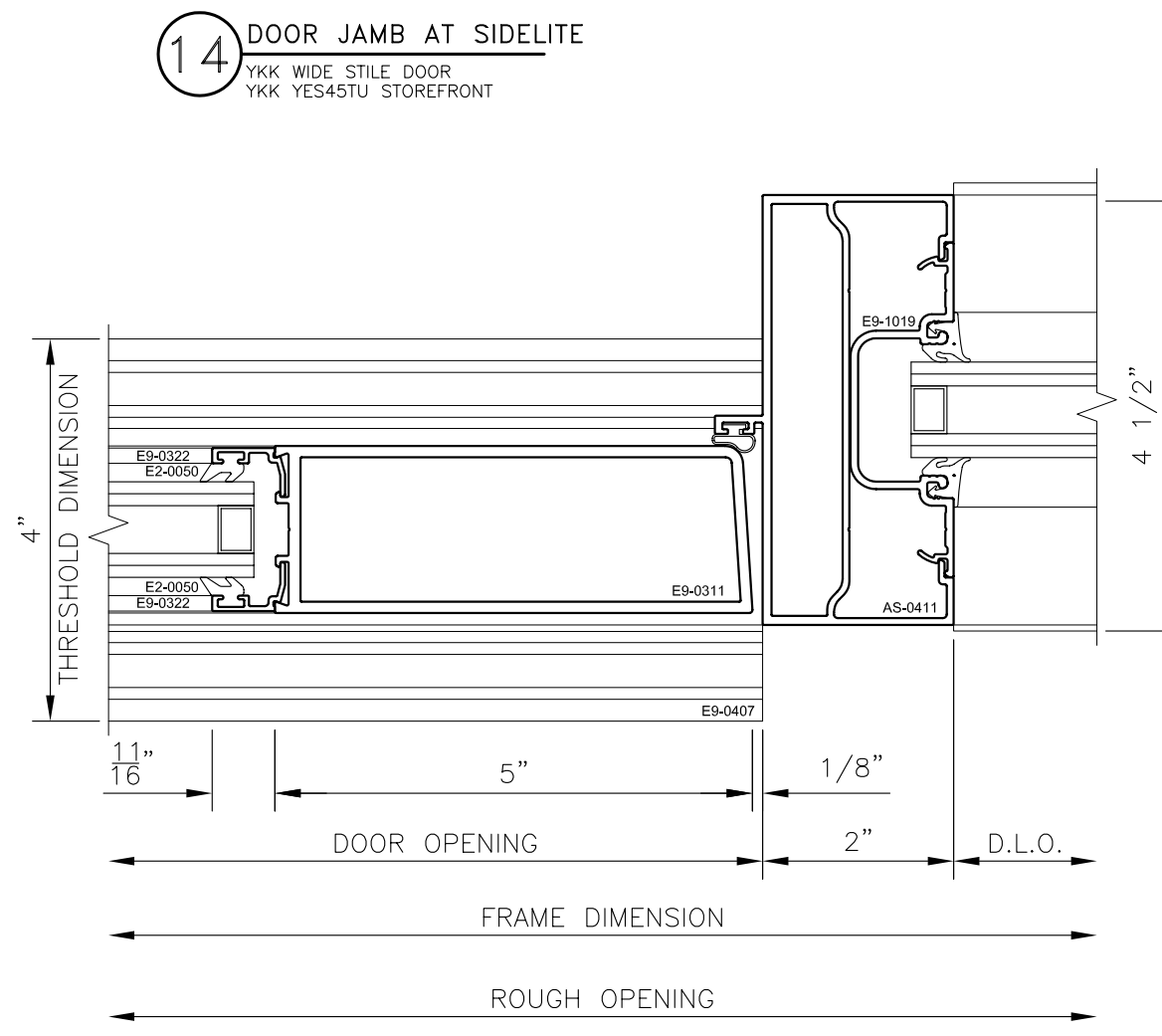
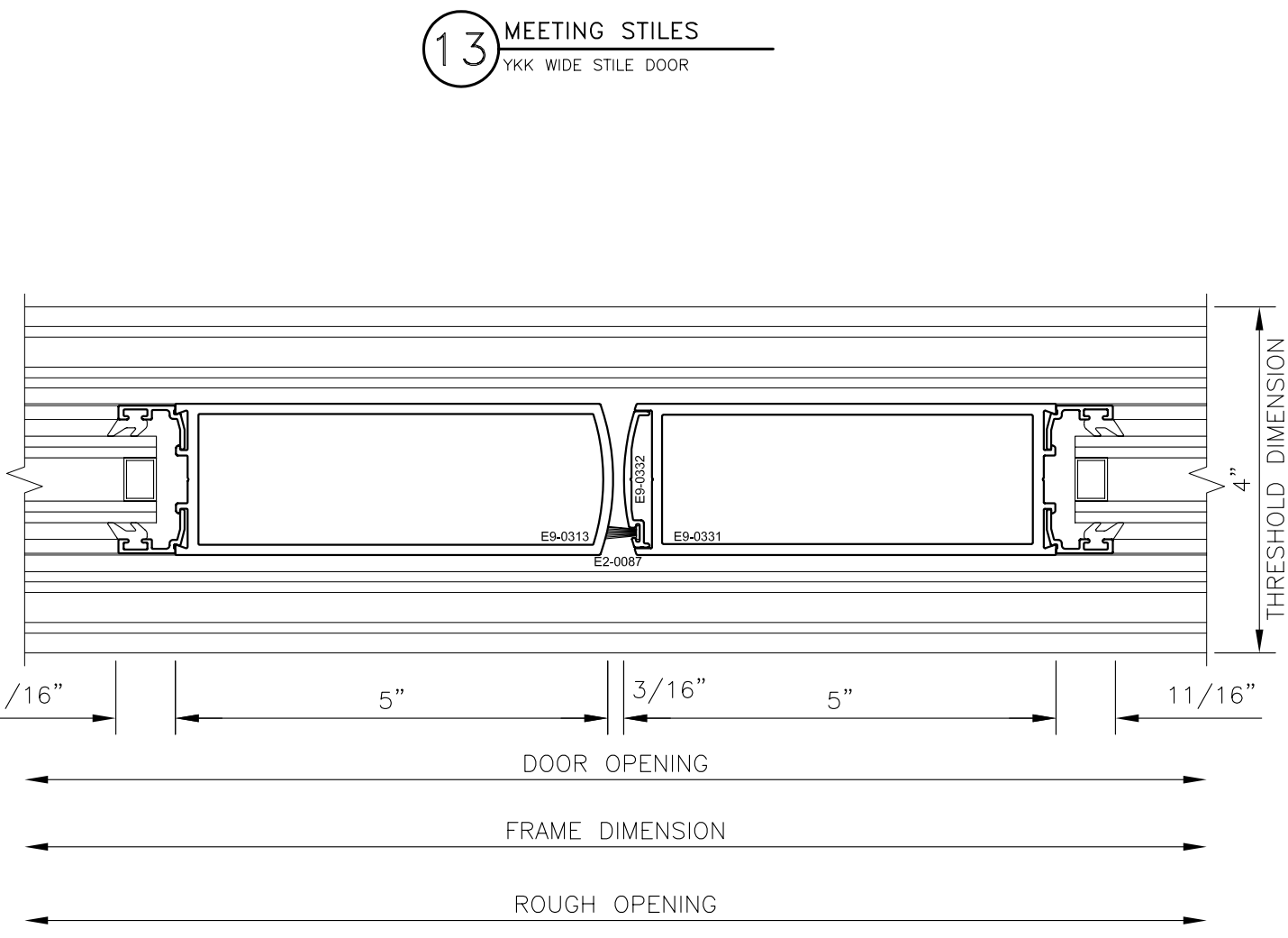
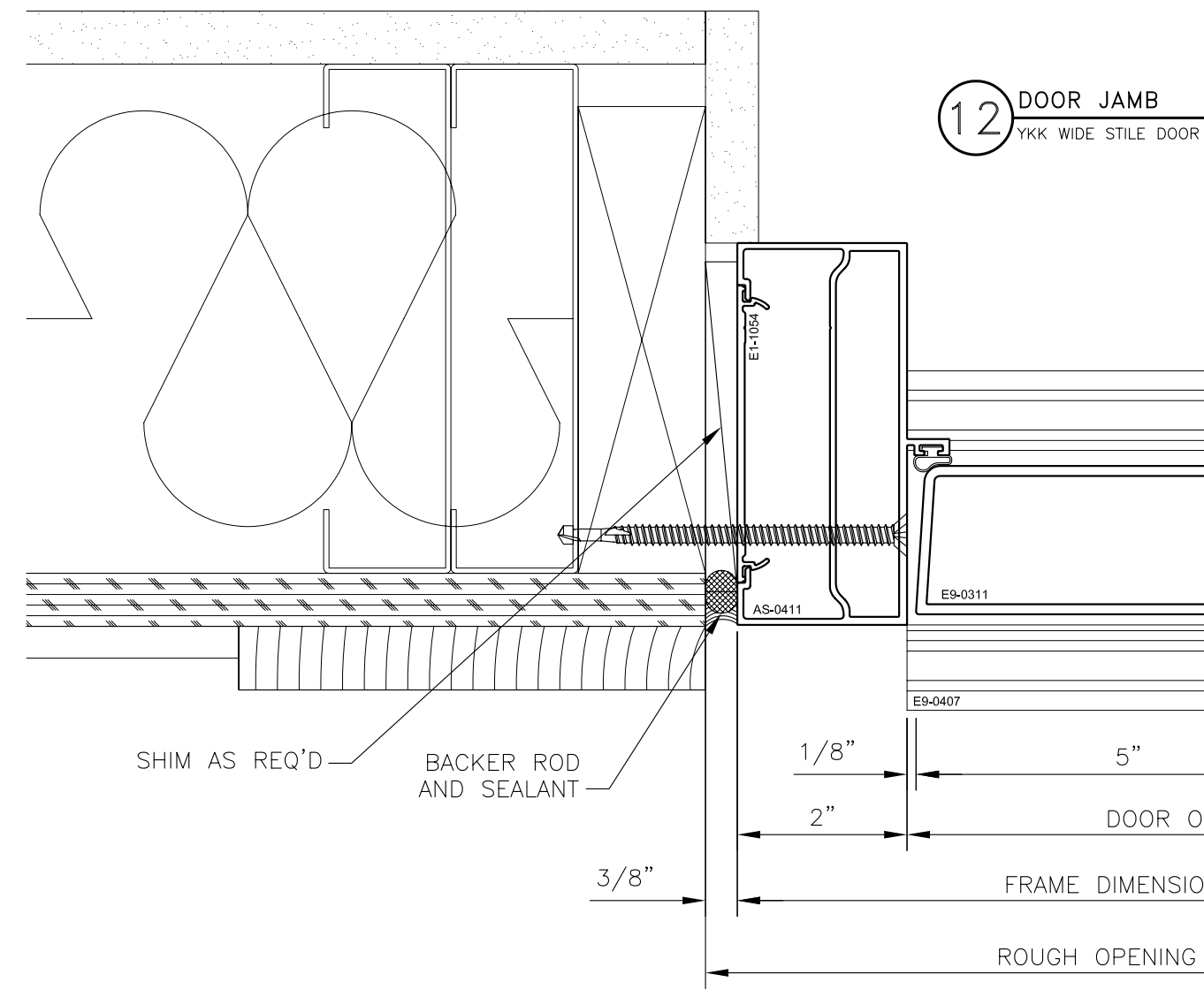
ARCHITECT: **OPECHEE** CONSTRUCTION CORPORATION
1 CORPORATE DRIVE, BELMONT, MA 02126
PHONE (603) 527-9099 FAX (603) 527-9171

STOREFRONT DETAILS
PROJECT: ROCHESTER HARLEY-DAVIDSON
LOCATION: ROCHESTER, NEW HAMPSHIRE

Glazier's Resource Inc.
New & Repair Glazing Design and Drafting
216 NORTH STATE ST., SUITE 115
CONCORD, NH 03301-3222
PH: 603.860.0198
www.glaziersresource.com

SCALE: HALF
DATE: 10/13/2006
PROJECT: GR06-0143
SHEET:

SD1



GLAZING CONTRACTOR:

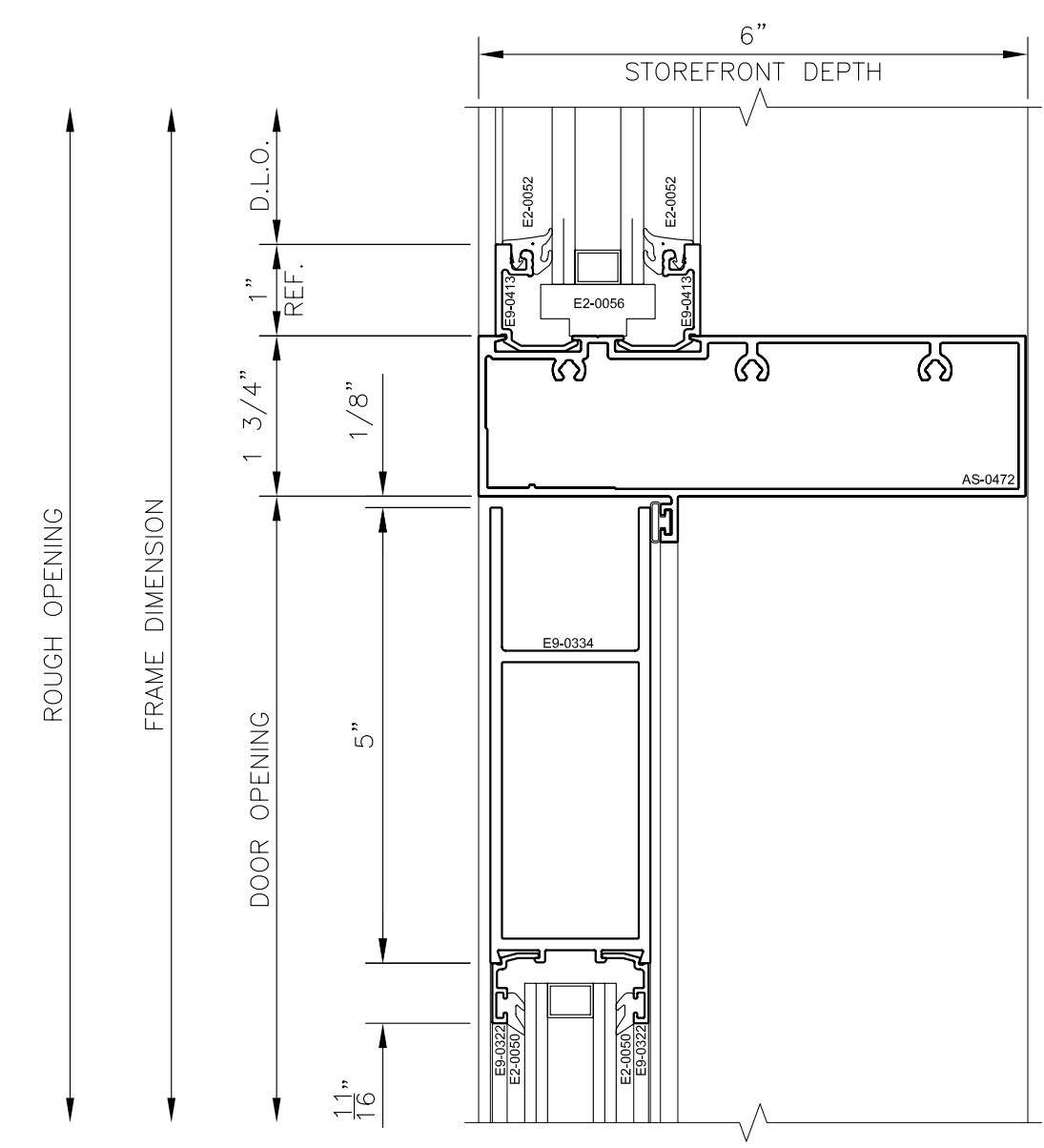
ARCHITECT: **OPECHEE**
CONSTRUCTION CORPORATION
1 CORPORATE DRIVE, BELMONT, NH 03220
PHONE (603) 527-9000 FAX (603) 527-9174

STOREFRONT DETAILS
PROJECT: ROCHESTER HARLEY-DAVIDSON
LOCATION: ROCHESTER, NEW HAMPSHIRE

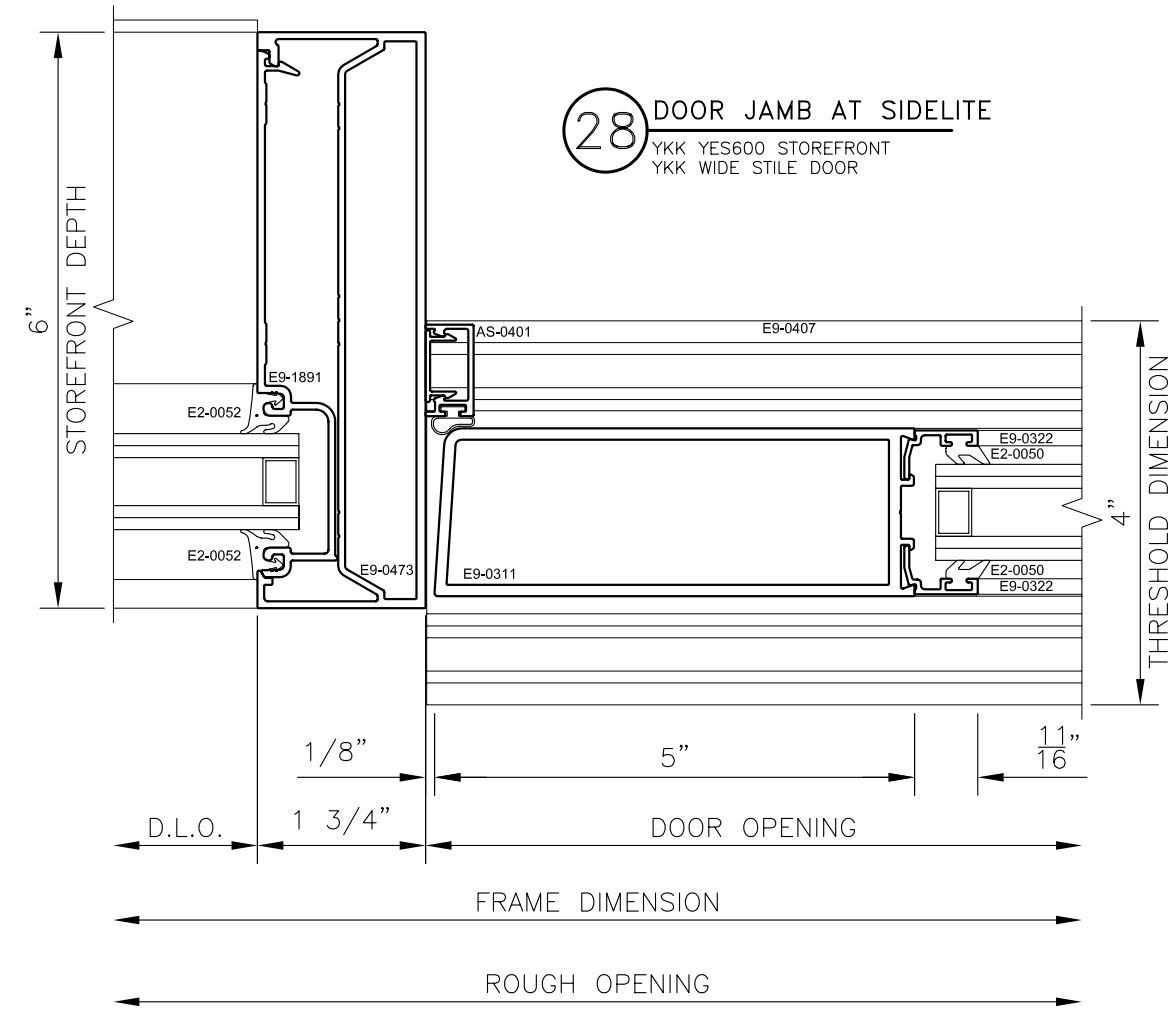
Glazier's Resource Inc.
New & Repair Glazing, Design and Drapings
206 NORTH STATE ST., SUITE 105
CONCORD, NH 03301-3222
PH. 603.860.0196
www.glaziersresource.com

SCALE: HALF
DATE: 10/13/2006
PROJECT: GR06-0143
SHEET:

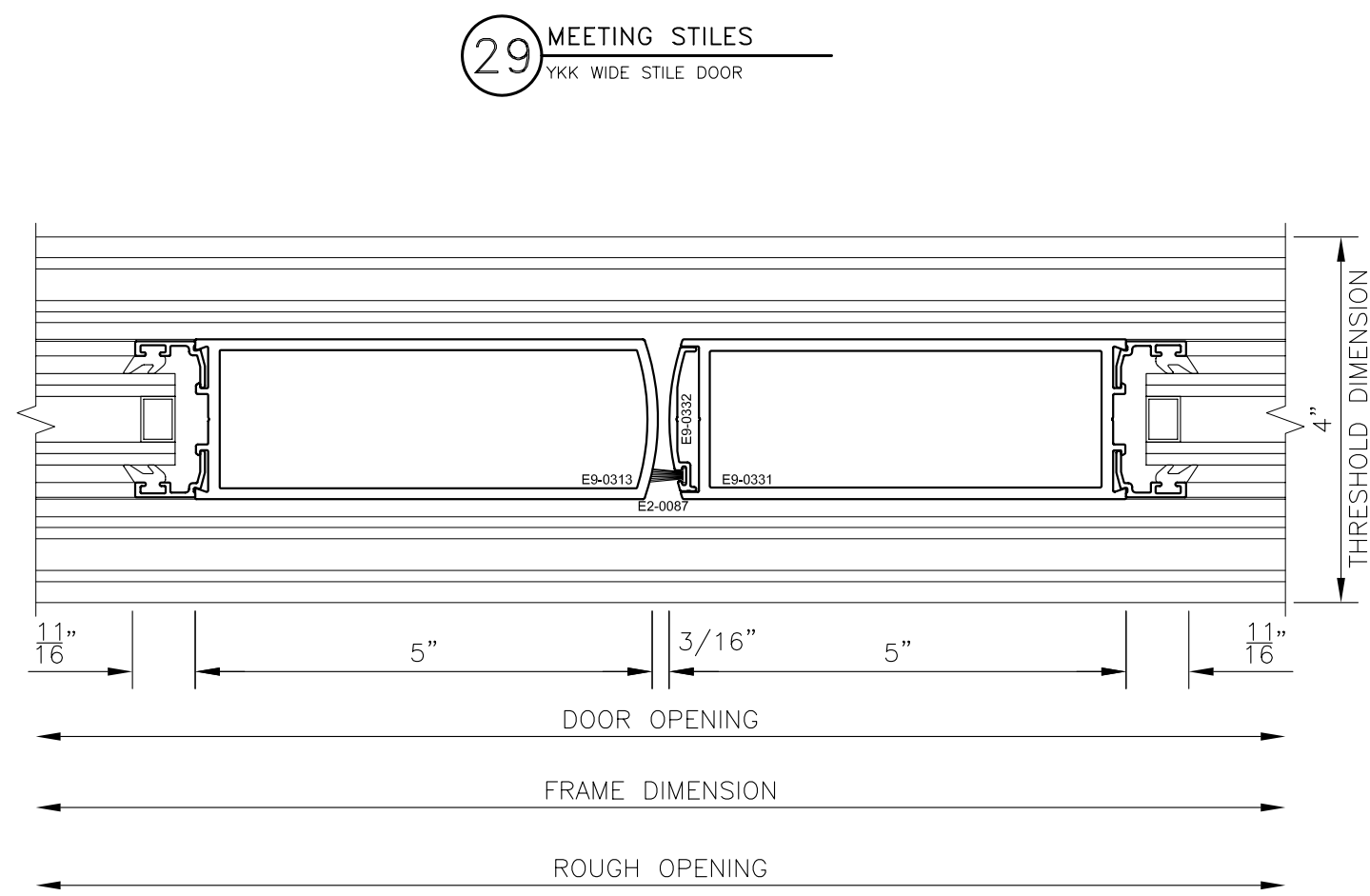
SD2



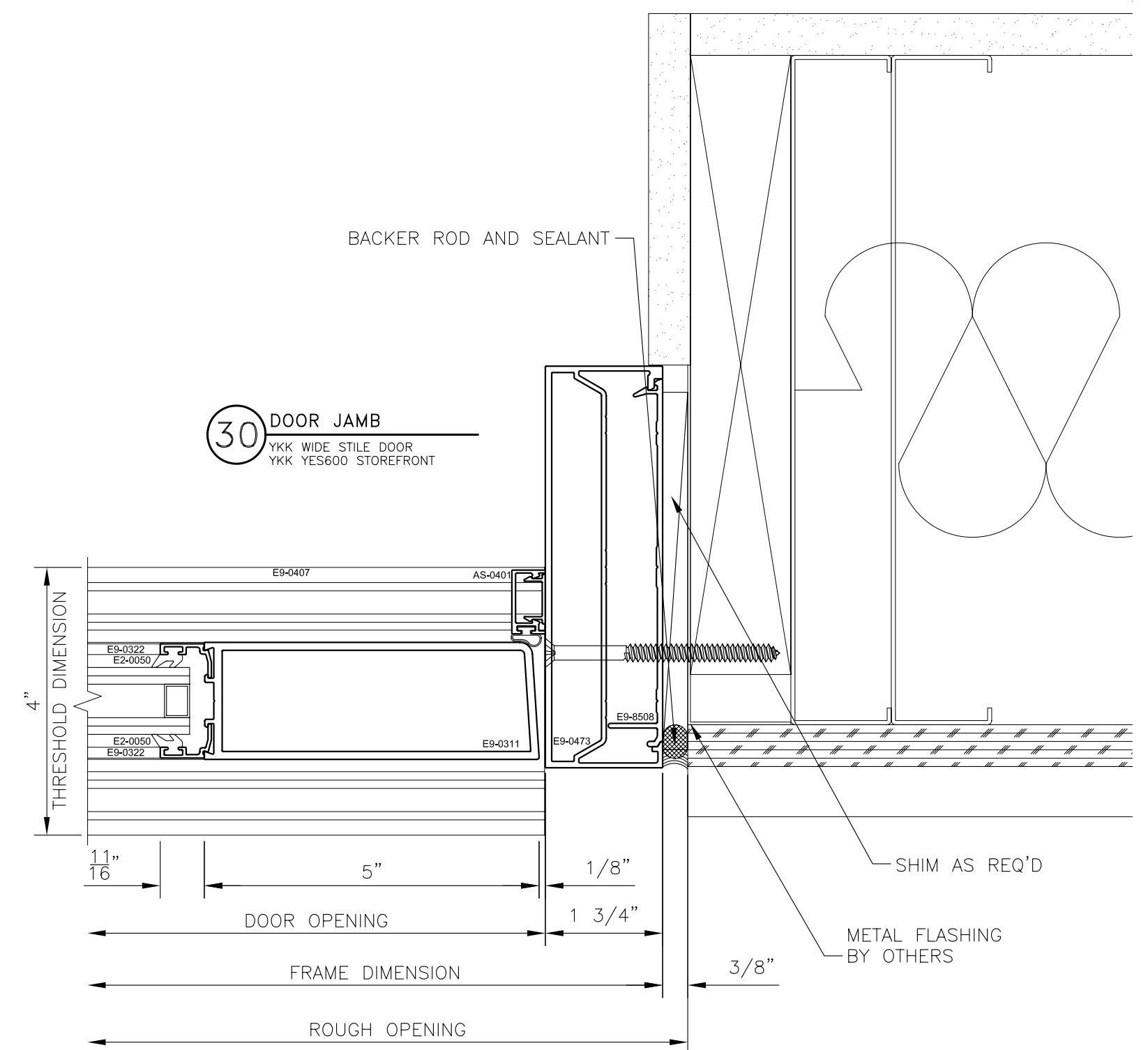
26 HEAD OF DOOR AT TRANSOM
YKK YES600 STOREFRONT
YKK WIDE STILE DOOR



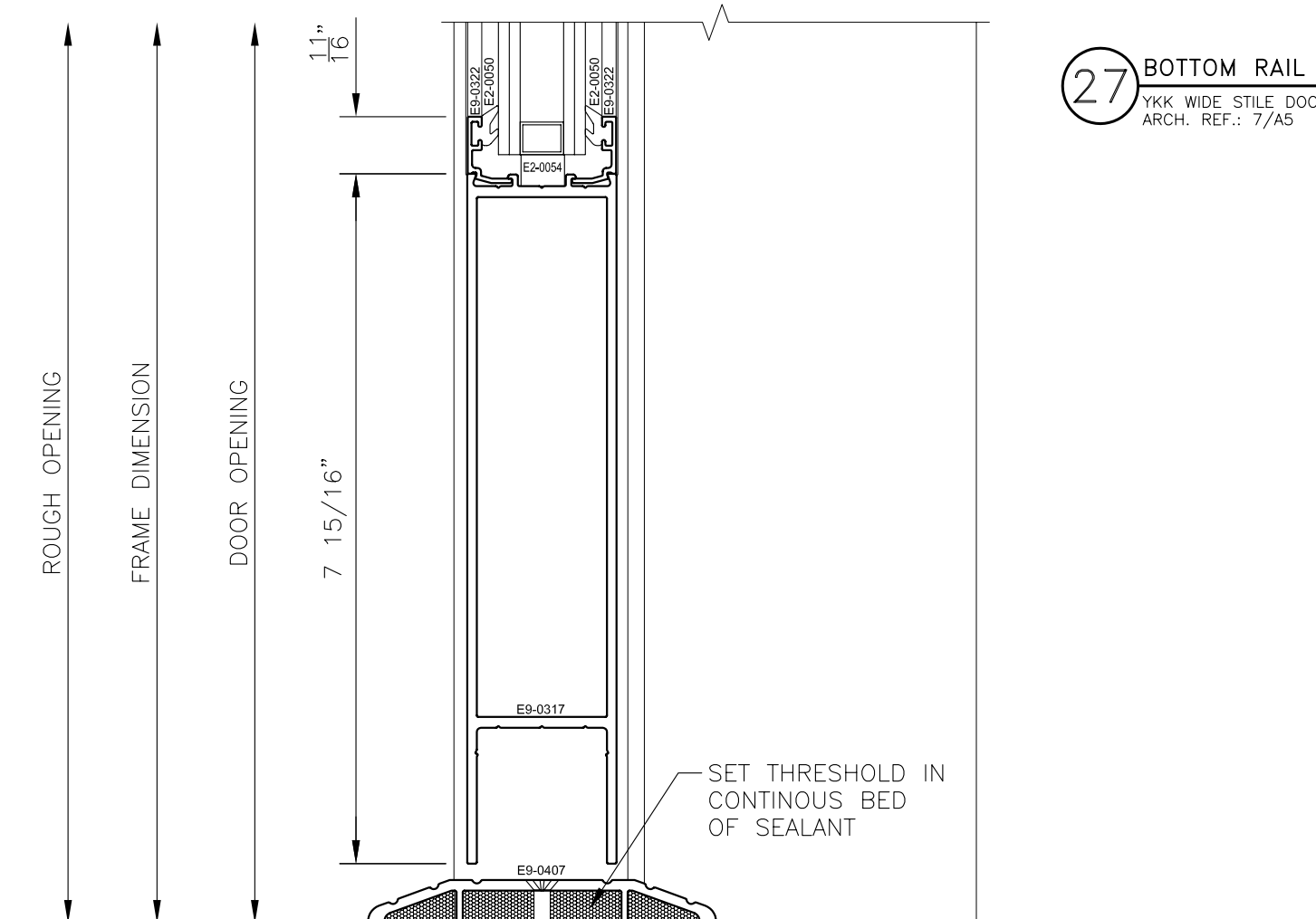
28 DOOR JAMB AT SIDELITE
YKK YES600 STOREFRONT
YKK WIDE STILE DOOR



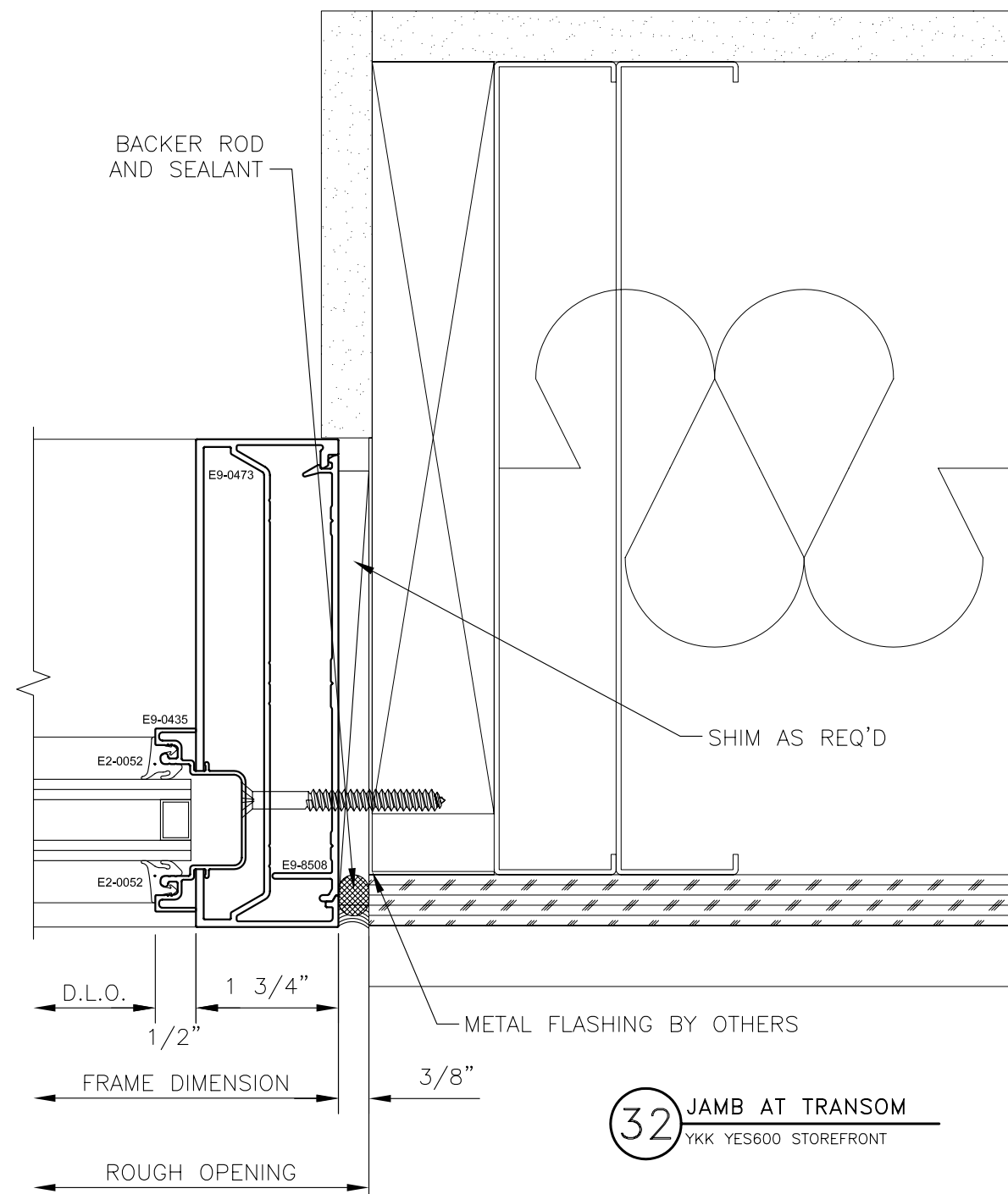
29 MEETING STILES
YKK WIDE STILE DOOR



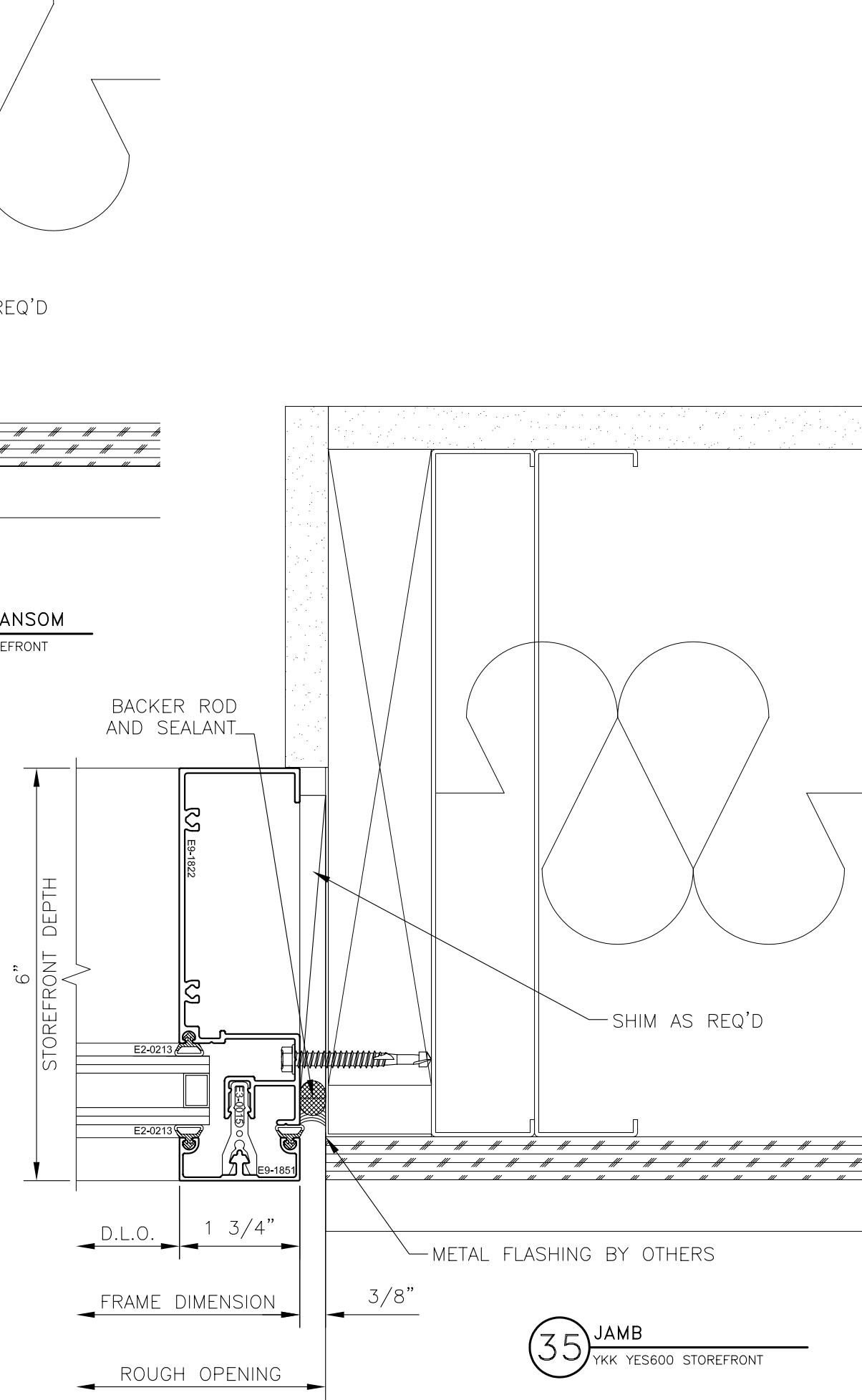
30 DOOR JAMB
YKK WIDE STILE DOOR
YKK YES600 STOREFRONT



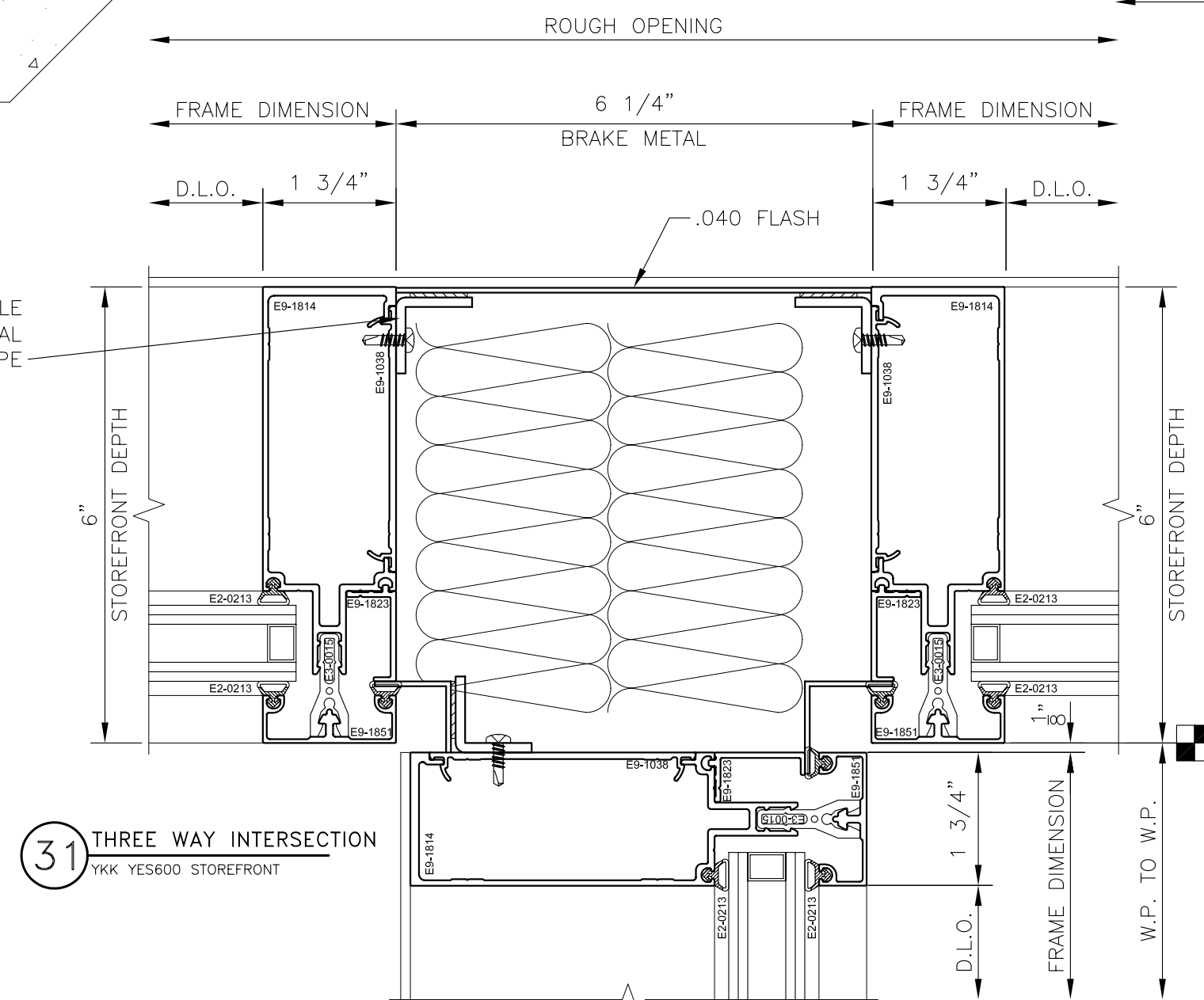
27 BOTTOM RAIL
YKK WIDE STILE DOOR
ARCH. REF.: 7/A5



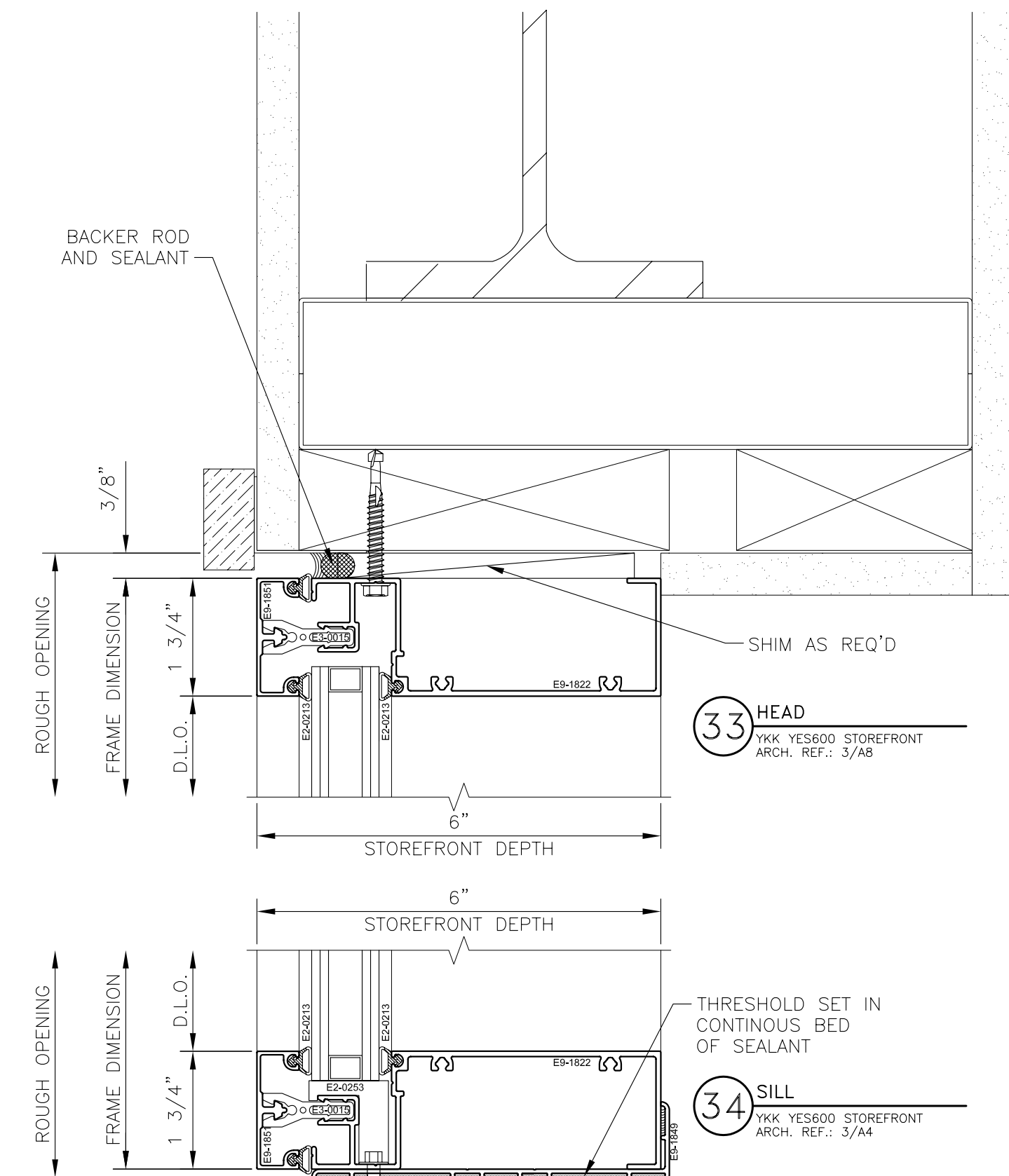
32 JAMB AT TRANSOM
YKK YES600 STOREFRONT



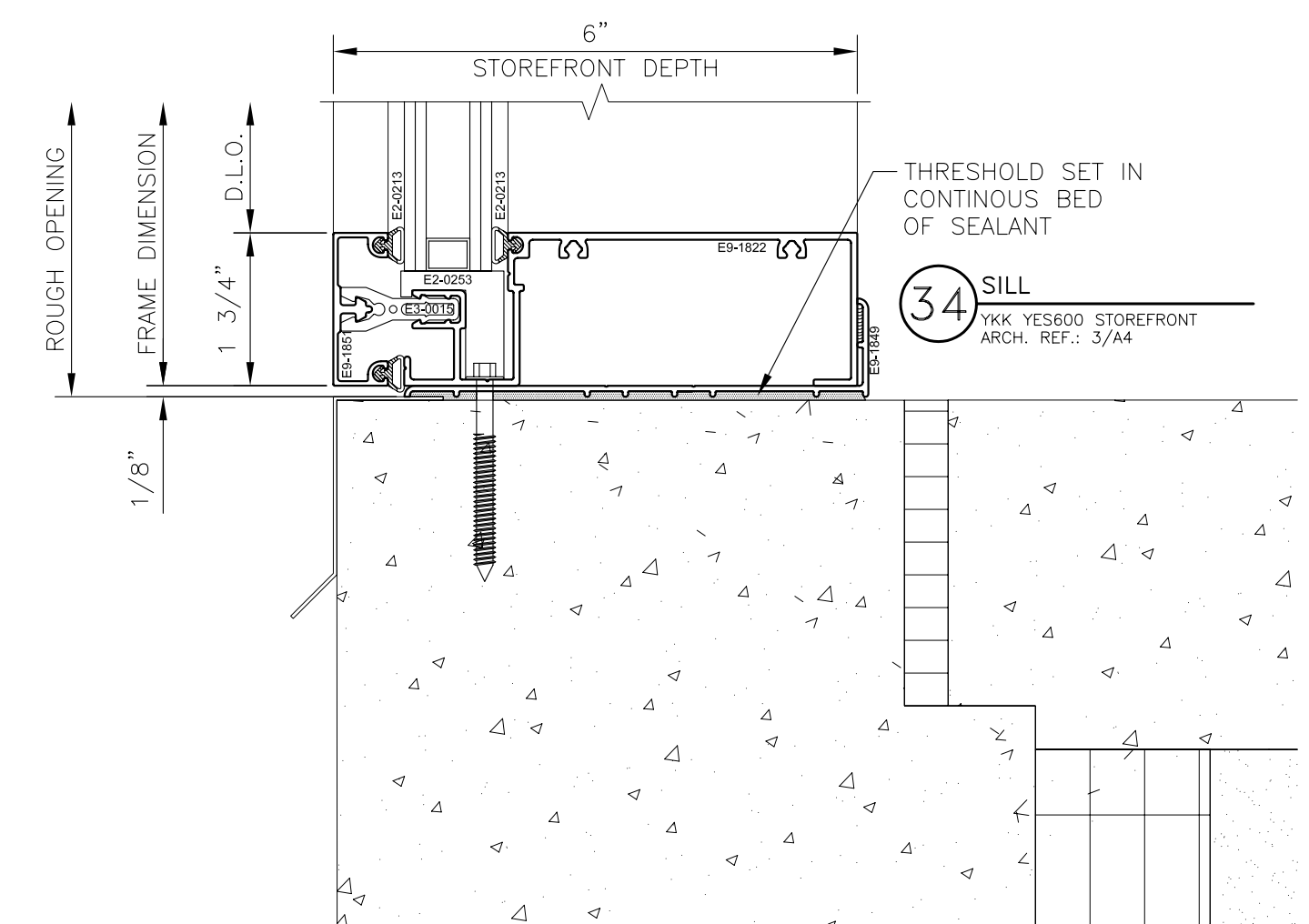
35 JAMB
YKK YES600 STOREFRONT



31 THREE WAY INTERSECTION
YKK YES600 STOREFRONT



33 HEAD
YKK YES600 STOREFRONT
ARCH. REF.: 3/A8



34 SILL
YKK YES600 STOREFRONT
ARCH. REF.: 3/A4

GLAZING CONTRACTOR:

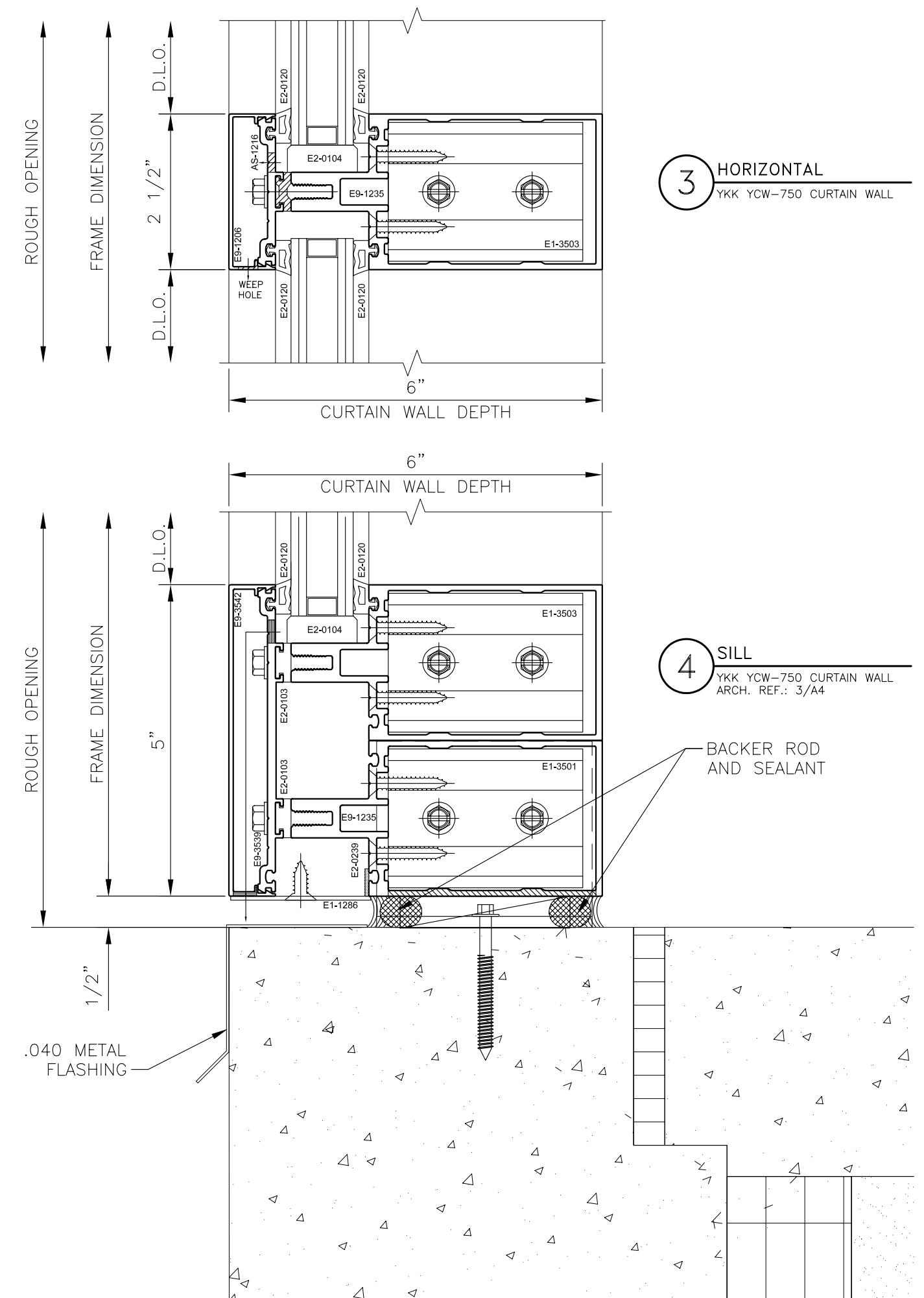
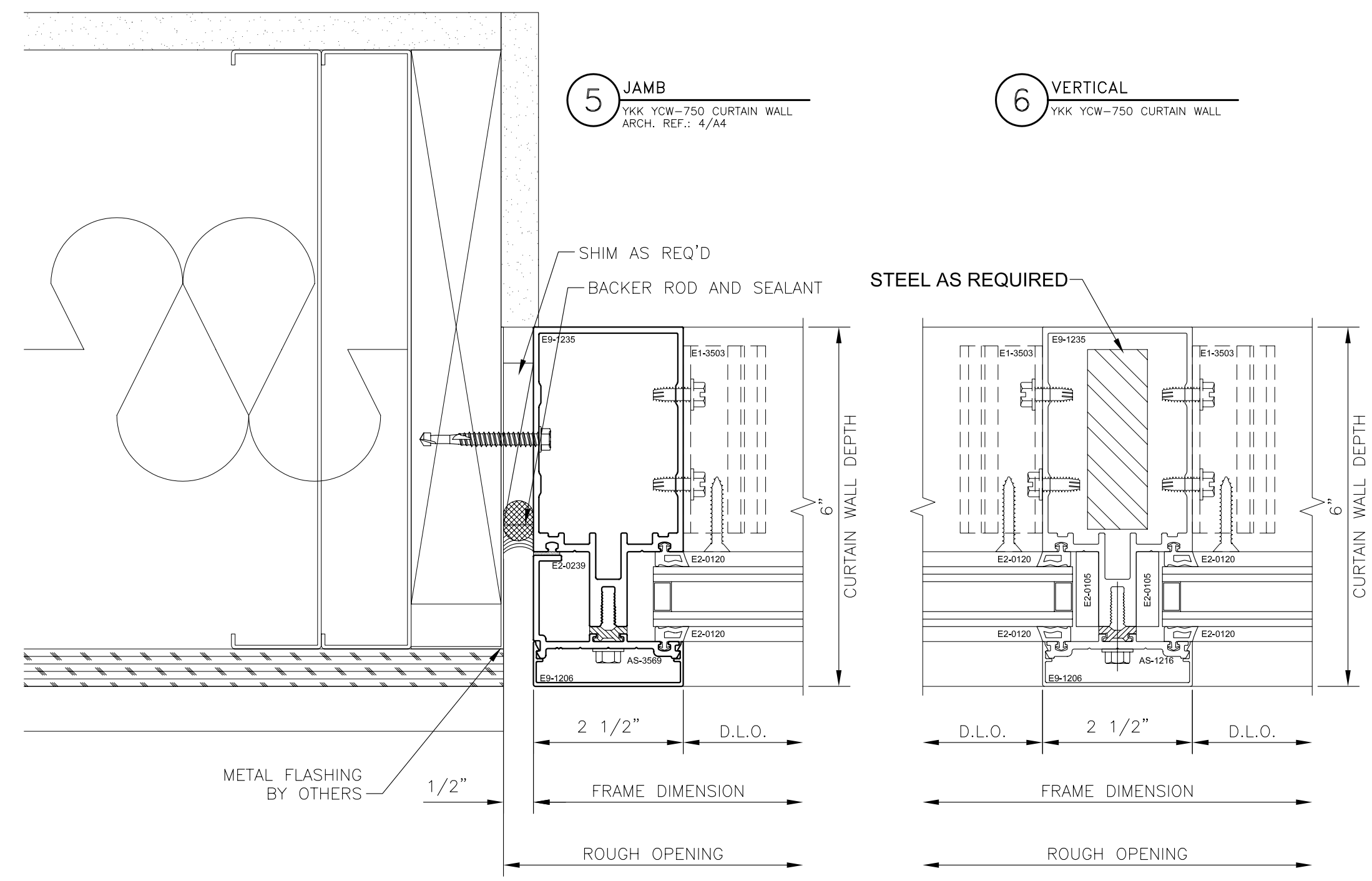
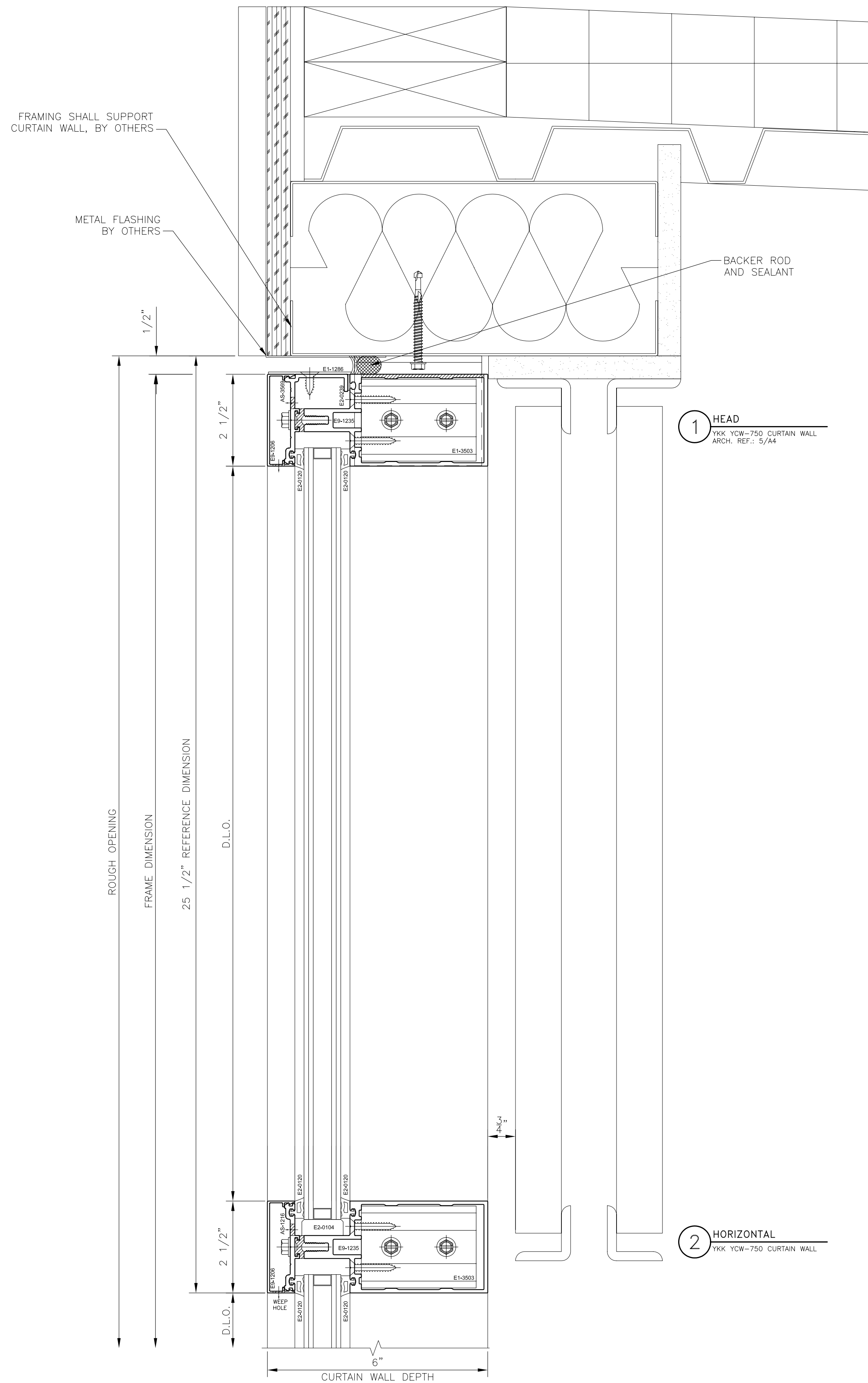
ARCHITECT:

OPECHEE
CONSTRUCTION CORPORATION
1 CORPORATE DRIVE, BELMONT, MA 02220
PHONE: (603) 527-9000 FAX: (603) 527-9171

STOREFRONT DETAILS
PROJECT: ROCHESTER HARLEY-DAVIDSON
LOCATION: ROCHESTER, NEW HAMPSHIRE

Glazier's Resource Inc.
"New & Smart Glazing Design and Drapery"
258 NORTH STATE ST., SUITE 105
CONCORD, NH 03301-3222
PH. 603.860.0198
WWW.GLAZERSRESOURCE.COM

SCALE: HALF
DATE: 10/13/2006
PROJECT: GR06-0143
SHEET: SD3



GLAZING CONTRACTOR:

ARCHITECT:

OPECHEE
CONSTRUCTION CORPORATION
1 CORPORATE DRIVE, BELMONT, NJ 08220
PHONE: (609) 527-9090 FAX: (609) 527-9171

CURTAIN WALL DETAILS
PROJECT: ROCHESTER HARLEY-DAVIDSON
LOCATION: ROCHESTER, NEW HAMPSHIRE

Glazier's Resource Inc.
New & Repair Glazing Design and Drapery
258 NORTH STATE ST., SUITE 105
CONCORD, NH 03301-3322
PH: 603.860.0186
www.glaziersresource.com

SCALE: HALF
DATE: 10/13/2006
PROJECT: GR06-0143
SHEET:

CD1