

LEGENDS/SYMBOLS

- FINISHED WOOD
- DIMENSION LUMBER
- FACE BRICK
- RIGID INSULATION
- CUT STONE
- CONCRETE
- CONCRETE BLOCK
- STEEL IN SECTION
- PLYWOOD
- BATT INSULATION
- GROUT
- GLAZED TILE
- MARBLE
- ACOUSTICAL CEILING
- SHIM PACK
- ALUMINUM

DENOTES BLOCKING OR SHIM, NOT CONTINUOUS, NOT NECESSARILY ONE PIECE

DENOTES BACKER ROD OR CAULK ROPE

ANCHOR LOCATION

FASTENER LOCATION

DIMENSIONAL REFERENCE / ELEVATION

WORKING POINT

FIELD APPLIED SEALANT

SHOP DRILL

FIELD DRILL

GLAZING INDICATION NUMBER

2 ← DETAIL NUMBER
 5.01 ← SHEET NUMBER

CLOUD CLOUDED AREAS INDICATES DIMENSIONS THAT NEED TO BE CLARIFIED OR VERIFIED BY THE ARCHITECT.

DETAIL TAG
 X ← SHOP DRAWING DETAIL NUMBER
 3.XX ← SHOP DRAWING SHEET NUMBER
 REF: XX/XX ← ARCH. DRAWING DETAIL REFERENCE
 XX ← SHOP DRAWING ELEVATION REFERENCE

WINDOW MARK

DOOR FRAME MARK

DOOR NUMBERS

A ← ELEVATION LOCATION-VIEW POINT
 4.01 ← ELEVATION MARK/TITLE
 ← ELEVATION SHEET NUMBER

ABBREVIATIONS

- A/C = ACCESS CONTROLLED
- A.F.F. = ABOVE FINISHED FLOOR
- B.O. = BY OTHERS
- B.O.H. = BOTTOM OF HORIZONTAL
- C.L. = CENTER LINE
- DIM. = DIMENSION
- D.L.O. = DAYLIGHT OPENING
- D.L. = DEAD LOAD (ANCHOR)
- D.O. = DOOR OPENING
- EL. = ELEVATION
- F.S. = FRAME SIZE
- F.F. = FINISH FLOOR
- G.C. = GENERAL CONTRACTOR
- M.O. = MASONRY OPENING
- M.L. = MULLION LENGTH
- N.B.M.G. = NOT BY MUSCOGEE GLASS
- N.I.C. = NOT IN CONTRACT
- N.T.S. = NOT TO SCALE
- O.D. = OPENING DIMENSION
- O.F.D. = OVERALL FRAME DIMENSION
- REF. = REFERENCE
- R.O. = ROUGH OPENING
- T.O.F.F. = TOP OF FINISHED FLOOR
- T.O.H. = TOP OF HORIZONTAL
- T.O.S. = TOP OF SLAB
- T.O.STL. = TOP OF STEEL
- U.N.O. = UNLESS NOTED OTHERWISE
- W.C. = WEB CENTER
- W.S. = WINDOW SIZE
- W.L. = WIND LOAD (ANCHOR)
- W.P. = WORKING POINT

MCSD ELEMENTARY SCHOOL NO. 8

180 NORTHSTAR DRIVE

COLUMBUS, GA 31907

ARCHITECT:

HECHT BURDESHAW ARCHITECTS, INC.
 8-11TH STREET
 SUITE 300
 P.O. BOX 1758
 COLUMBUS, GA 31902
 P: 706.323.1814
 F: 706.327.4493

ERECTOR

MUSCOGEE GLASS
 6922 JAMESSON WAY
 MIDLAND, GA 31820
 706-569-9500

THE FOLLOWING DOCUMENTS WERE USED TO APPLY MANUFACTURERS CONFIRMED QUOTED JOB SCOPE TO THE JOB CONDITIONS.

ARCHITECTURAL DRAWINGS DATED: 01.19.2022

CUSTOMER TAKEOFF: YES _____

SPECIFICATIONS: NA _____

ADDENDUM: YES, "REVISION 1" DATED 01.19.2022 _____

ADDENDUMS 1-4 (DATES NOT GIVEN ON DRAWINGS) _____

REVISION 1 7.22.22 _____

OTHER: _____

INDEX	
SHEET NUMBER	DESCRIPTION
.01	COVER SHEET
.02 - .03	GENERAL INFORMATION / DOOR INFORMATION
1.01 - 1.08	FLOOR PLAN
2.01 - 2.31	ELEVATIONS
3.01 - 3.31	DETAILS

PROJECT: MCSD ELEMENTARY SCHOOL NO. 8	LOCATION: 180 NORTHSTAR DRIVE COLUMBUS, GA 31907	ERECTOR: MUSCOGEE GLASS 6922 JAMESSON WAY MIDLAND, GA 31820 (706)-569-9500	1ST SUBMISSION 8.1.22	1ST REVISION 10.12.22	2ND REVISION 12.16.22	NO	DESCRIPTION DRAWING SUBMISSION	DATE
DRAWN BY: DJ		DATE: 8.1.22		CHECKED BY: CJ		DATE: 8.1.22		.01

DOOR SCHEDULE

DOOR	SIZE	HAND	DOOR TYPE	FRAME	FRAMING	HARDWARE	LOCATION
1029	6'-0" X 7'-0"	PRSO	ALUM/GLASS	CW9	1600	AL-07	CENTRAL STAIR 1029
1050	6'-0" X 7'-1 3/8"	PRSO	ALUM/GLASS	2A	451	AL-07	CORRIDOR 1031
1051	6'-0" X 7'-10"	PRSO	ALUM/GLASS	GG	451	AL-07	CORRIDOR 1051
1055A	6'-0" X 7'-0"	PRSO	ALUM/GLASS	AA	451	AL-07	CORRIDOR 1051
1055B	6'-0" X 7'-0"	PRSO	ALUM/GLASS	BB	451	AL-07	CORRIDOR 1055
1066A	6'-0" X 7'-1 3/8"	PRSO	ALUM/GLASS	2B	451	AL-07	CAFETERIA 1066
1066C	3'-0" X 7'-1 3/8"	RH-HLSO	ALUM/GLASS	ZZ	451	AL-05	CAFETERIA 1066
2032A	6'-0" X 7'-0"	PRSO	ALUM/GLASS	MM	450	AL-13	LOBBY 2032
2032B	6'-0" X 7'-0"	PRSO	ALUM/GLASS	MM	450	AL-24	LOBBY 2032
2033A	6'-0" X 8'-0"	PRSO	ALUM/GLASS	HH	451	AL-09	ENTRY 2033
2033B	6'-0" X 8'-0"	PRSO	ALUM/GLASS	HH	451	AL-03	ENTRY 2033
2034A	6'-0" X 7'-0"	PRSO	ALUM/GLASS	KK	450	AL-23	RECEPTION 2034
2034B	3'-0" X 7'-0"	LH-RHSO	ALUM/GLASS	LL	450	J139	RECEPTION 2034
2063	6'-0" X 7'-1 3/8"	PRSO	ALUM/GLASS	2A	451	AL-07	CORRIDOR 2047
3026A	6'-0" X 7'-0"	PRSO	ALUM/GLASS	NN	450	AL-16	MEDIA CENTER 3026
3026B	6'-0" X 7'-0"	PRSO	ALUM/GLASS	RR	450	AL-16	MEDIA CENTER 3026
3034B	3'-0" X 7'-0"	LH-RHSO	ALUM/GLASS	TT	450	H105	CODING 3034
3048	6'-0" X 7'-1 3/8"	PRSO	ALUM/GLASS	2A	451	AL-07	CORRIDOR 3031

DOOR NOTES:

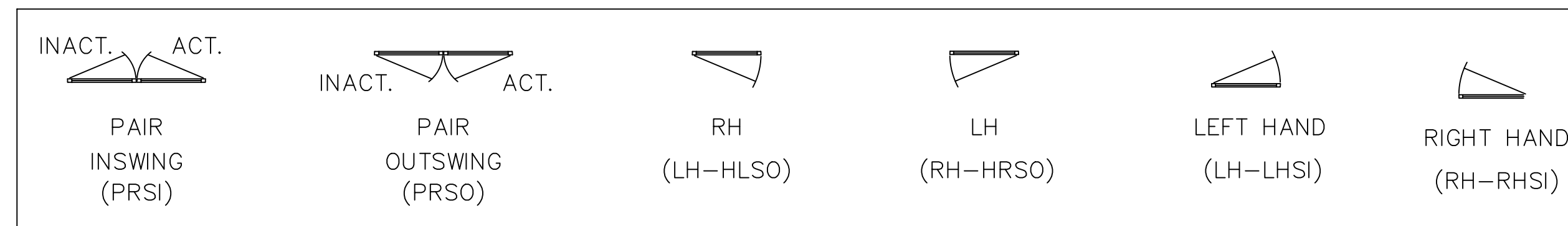
1) EXTERIOR DOORS ARE KAWNEER 500T INSULPOUR WIDE STILE, 2 1/4" THICKNESS WITH A 6" MID RAIL AND 10" BOTTOM RAIL TO ACCEPT 1" GLASS.

2) INTERIOR DOORS ARE KAWNEER 500 WIDE STILE, 1 3/4" THICKNESS WITH A 6" MID RAIL AND 10" BOTTOM RAIL TO ACCEPT 1/4" GLASS.

DOOR HARDWARE NOTES:

1) ALL HARDWARE IS SUPPLIED BY OTHERS. MUSCOGEE GLASS WILL PREP AND INSTALL THE HARDWARE PER THE APPROVED HARDWARE SCHEDULE. AN APPROVED HARDWARE SCHEDULE MUST BE SUPPLIED. ANY DELAY IN RECEIVING AN APPROVED HARDWARE SCHEDULE WILL RESULT IN A DIRECT DELAY OF THE DOOR FABRICATION.

2) ALL HARDWARE MUST BE SUPPLIED TO MUSCOGEE GLASS. PLEASE MARK EACH BOX CLEARLY WITH DOOR NUMBERS. ANY DELAY IN RECEIVING THE HARDWARE WILL RESULT IN A DIRECT DELAY IN DOOR SHIPMENT.



1ST SUBMISSION	8.1.22
1ST REVISION	10.12.22
2ND REVISION	12.16.22
DESCRIPTION	DATE
DRAWING SUBMISSION	

ERECTOR:
MUSCOGEE GLASS
 6922 JAMESSON WAY
 MIDLAND, GA 31820
 (706)-569-9500

PROJECT: MCSD ELEMENTARY SCHOOL NO. 8

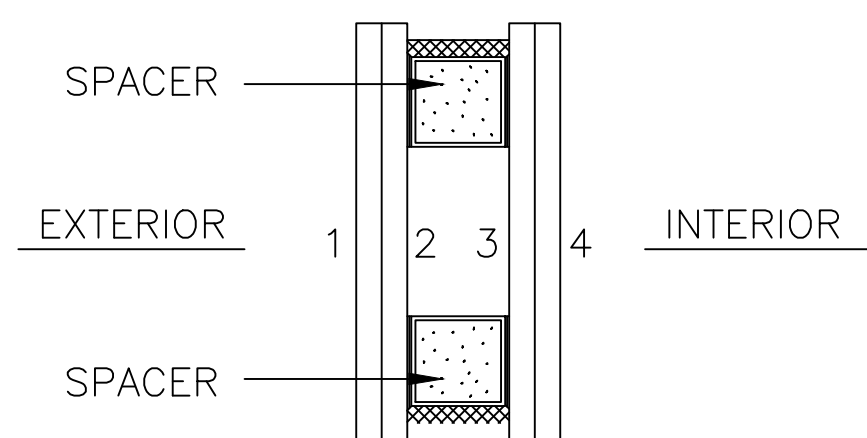
LOCATION: 180 NORTHSTAR DRIVE
 COLUMBUS, GA 31907

DRAWN BY:	DATE:
DJ	8.1.22
CHECKED BY:	DATE:
CJ	8.1.22

GLASS SCHEDULE

GLAZING TYPE	DESCRIPTION
G1	1" INSULATED VISION - CLEAR - 1/4" CLEAR TEMPERED W/ SNX 62/27 ON #2 SURFACE - 1/2" AIR BARRIER - 1/4" CLEAR TEMPERED
G2	1" INSULATED SPANDREL - 1/4" CLEAR TEMPERED W/ SNX 62/27 ON #2 SURFACE - 1/2" AIR BARRIER - 1/4" CLEAR TEMPERED W/ WARM GRAY SPANDREL ON #4 SURFACE
G3	1/4" MONOLITHIC VISION - CLEAR - 1/4" CLEAR TEMPERED

GLASS ILLUSTRATION



GLASS NOTES:

ALL GLASS TYPES LISTED ARE BASIC DESCRIPTIONS
 ARCHITECT TO CHOOSE GLASS TINT AND MAKEUP FROM PROVIDED
 SAMPLES

PRODUCT TYPES

CURTAINWALL:

KAWNEER 1600 SYSTEM 1 - 2 1/2" X 6"
 CURTAINWALL TO ACCEPT 1" GLASS

~~(CW1)~~ ~~(CW2)~~ ~~(CW3)~~ ~~(CW4)~~ ~~(CW4R)~~ ~~(CW5)~~ ~~(CW6)~~
~~(CW7)~~ ~~(CW8)~~ ~~(CW9)~~ ~~(CW10)~~ ~~(CW11)~~ ~~(CW12)~~

STOREFRONT:

KAWNEER TRIFAB 451T - 2" X 4 1/2"
 EXTERIOR THERMAL STOREFRONT TO ACCEPT 1" GLASS

~~(A)~~ ~~(AA)~~ ~~(AR)~~ ~~(B)~~ ~~(BB)~~ ~~(C)~~ ~~(CC)~~ ~~(D)~~ ~~(DD)~~ ~~(DR)~~ ~~(E)~~
~~(EE)~~ ~~(ER)~~ ~~(F)~~ ~~(FF)~~ ~~(FS)~~ ~~(GG)~~ ~~(HH)~~ ~~(JU)~~ ~~(ZZ)~~ ~~(2A)~~ ~~(2B)~~

KAWNEER TRIFAB 450 - 1 3/4" X 4 1/2"
 INTERIOR STOREFRONT TO ACCEPT 1/4" GLASS

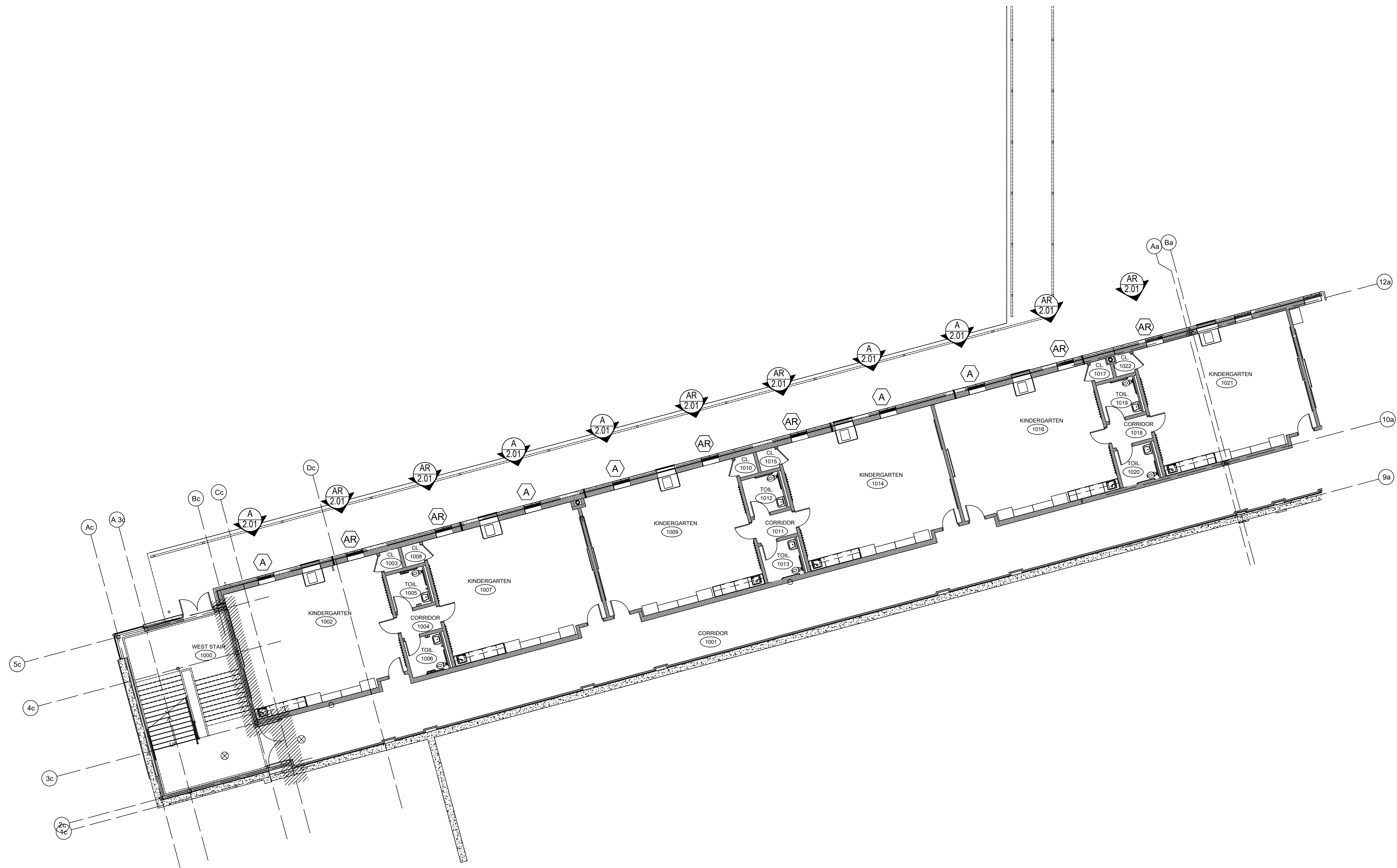
~~(KK)~~ ~~(KK)~~ ~~(LL)~~ ~~(MM)~~ ~~(NN)~~ ~~(PP)~~ ~~(QQ)~~ ~~(RR)~~ ~~(SS)~~ ~~(TT)~~ ~~(UU)~~ ~~(VV)~~ ~~(WW)~~ ~~(XX)~~

CURTIANWALL/STOREFRONT FINISH:
 CLEAR ANODIZED

EXCLUSIONS

- ANY BLOCKING
- OVERHEAD BRACING. BRACING & SUPPORTS
- LOUVERS
- FLASHING
- CLEANING OF IN PLACE MATERIAL
- PROTECTION OF WORK IN PLACE
- POWER FOR AUTOMATIC DOORS
- INTERIOR FINISH CAULKING

1ST SUBMISSION	8.1.22	ERECTOR: MUSCOGEE GLASS 6922 JAMESSON WAY MIDLAND, GA 31820 (706)-569-9500	1ST REVISION	10.12.22
2ND REVISION	12.16.22		DATE	
DRAWING SUBMISSION				
PROJECT: MCSD ELEMENTARY SCHOOL NO. 8		LOCATION: 180 NORTHSTAR DRIVE COLUMBUS, GA 31907		
DRAWN BY: DJ	DATE: 8.1.22			
CHECKED BY: CJ	DATE: 8.1.22			
.03				



ARCH / G.C. NOTE:

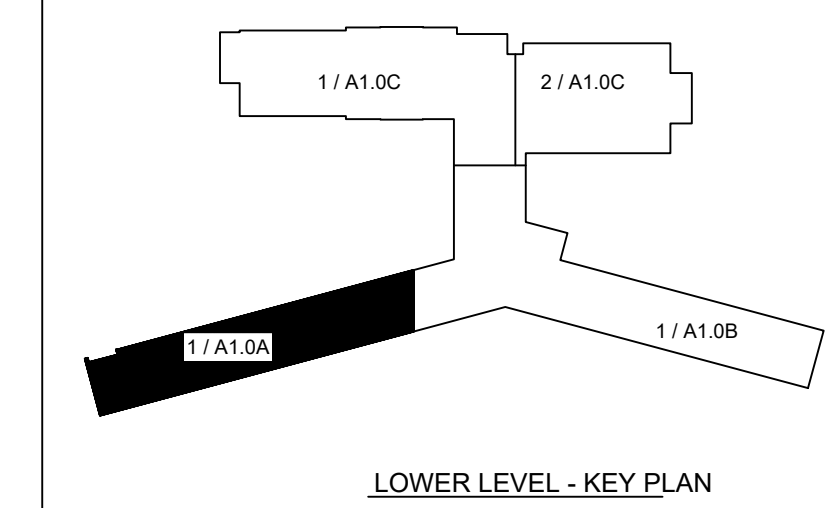
FLOOR PLANS ARE PROVIDED FOR OPENING TYPE LOCATION ONLY. REFER TO SPECIFIC MARK ELEVATIONS FOR SIZE REFERENCE DIMENSIONING, MULLION SPACING, ETC.

LOWER LEVEL FLOOR PLAN - WEST WING

NTS

ARCH. REF.: A1.0A

KEY PLAN



LOWER LEVEL - KEY PLAN



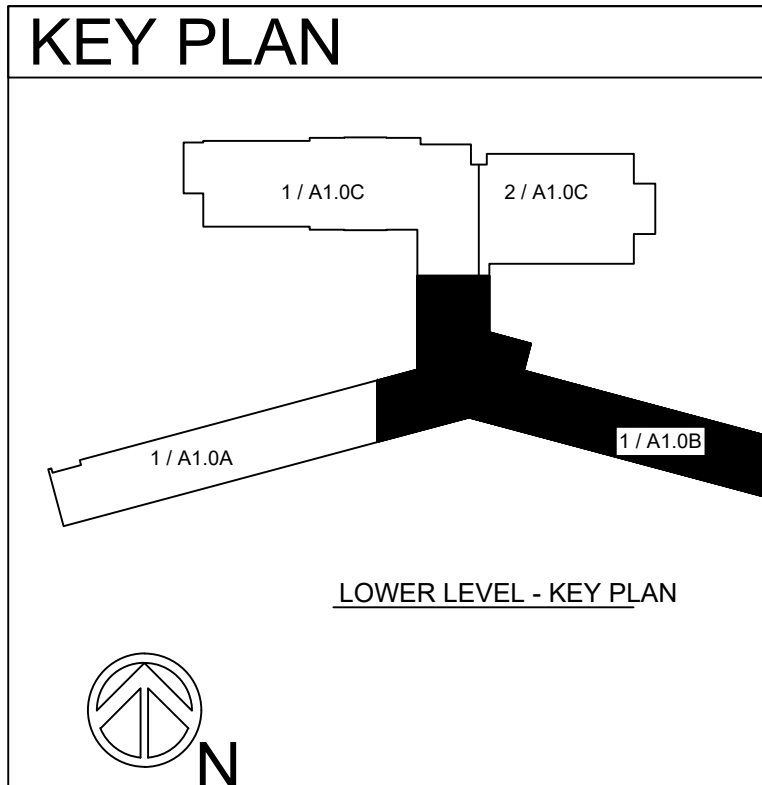
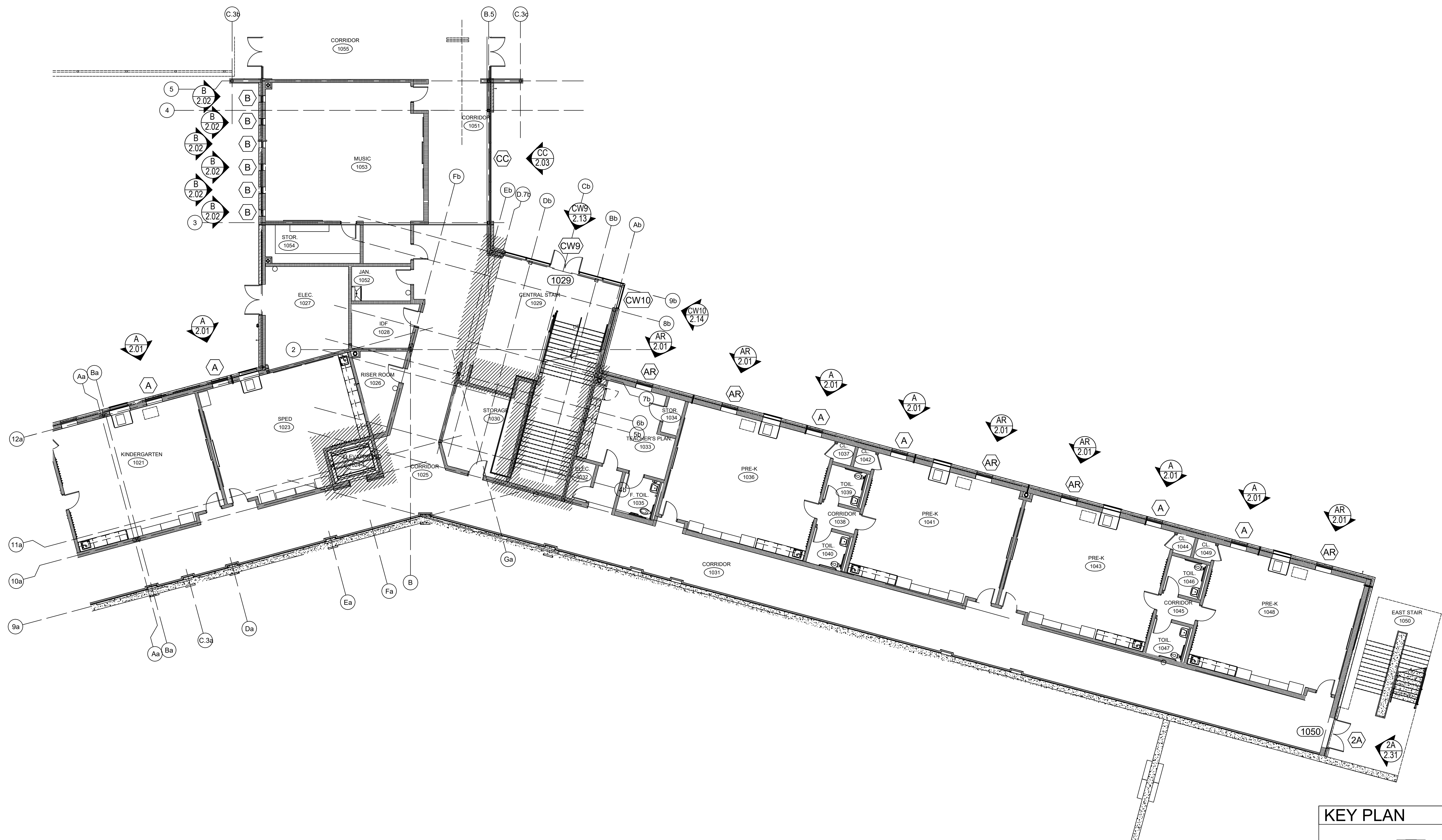
1ST SUBMISSION	8.1.22
1ST REVISION	10.12.22
2ND REVISION	12.16.22
	DATE
DRAWING SUBMISSION	

ERECTOR:
MUSCOGEE GLASS
 6922 JAMESSON WAY
 MIDLAND, GA 31820
 (706)-569-9500

PROJECT: MCSD ELEMENTARY SCHOOL NO. 8

LOCATION: 180 NORTHSTAR DRIVE
 COLUMBUS, GA 31907

DRAWN BY:	DATE:
DJ	8.1.22
CHECKED BY:	DATE:
CJ	8.1.22



ARCH / G.C. NOTE:

FLOOR PLANS ARE PROVIDED FOR OPENING TYPE LOCATION ONLY. REFER TO SPECIFIC MARK ELEVATIONS FOR SIZE REFERENCE DIMENSIONING, MULLION SPACING, ETC.

LOWER LEVEL FLOOR PLAN - EAST WING

NTS ARCH. REF.: A1.0B

1ST SUBMISSION	8.1.22
1ST REVISION	10.12.22
2ND REVISION	12.16.22
DATE	
DRAWING SUBMISSION	

ERECTOR:
MUSCOGEE GLASS
 6922 JAMESSON WAY
 MIDLAND, GA 31820
 (706)-569-9500

PROJECT: MCS D ELEMENTARY SCHOOL NO. 8

LOCATION: 180 NORTHSTAR DRIVE
 COLUMBUS, GA 31907

DRAWN BY:	DATE:
DJ	8.1.22
CHECKED BY:	DATE:
CJ	8.1.22

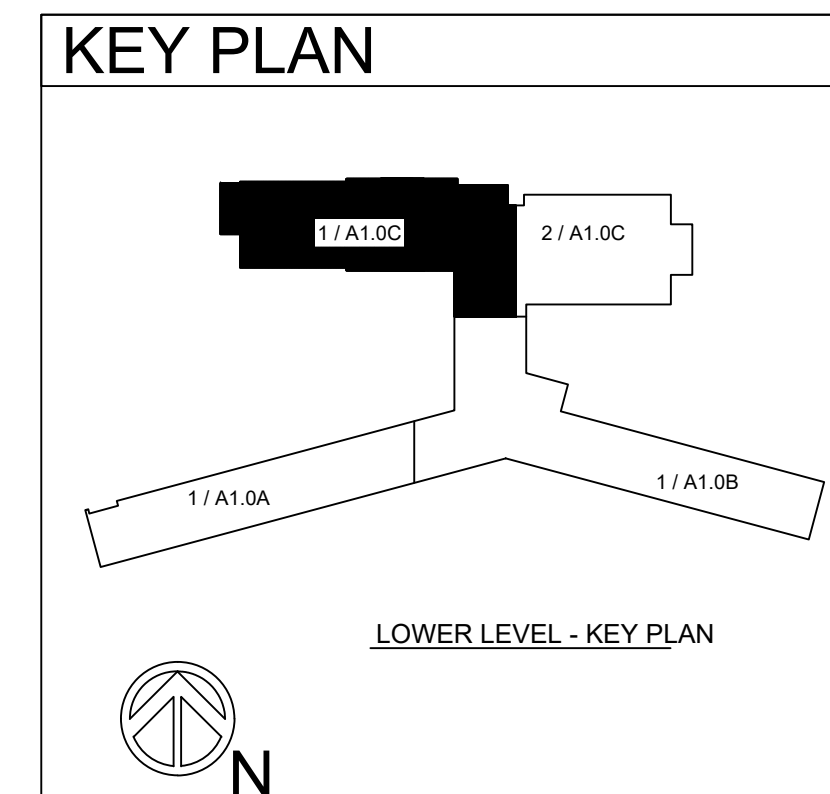
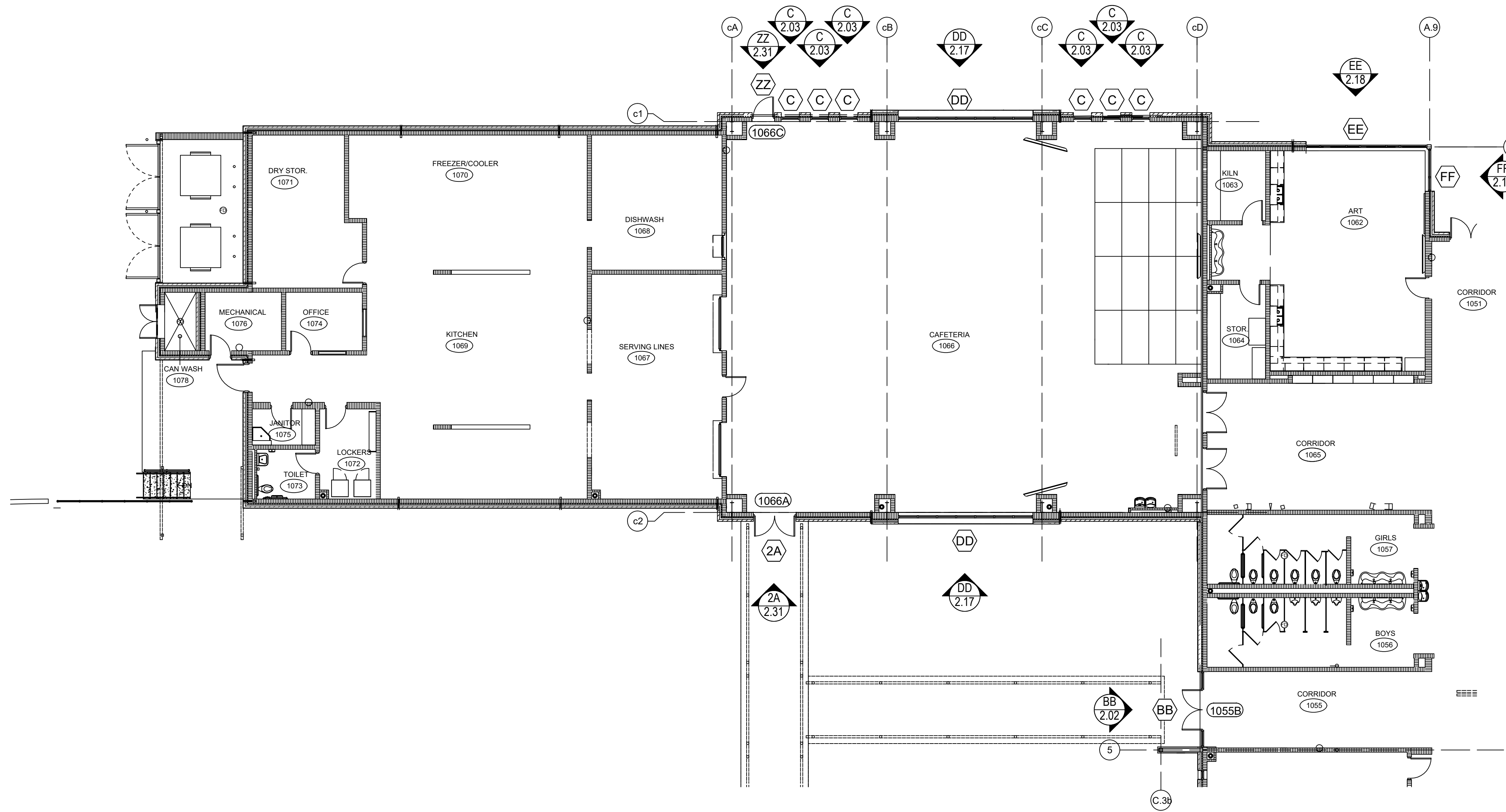
1.02

ARCH / G.C. NOTE:

FLOOR PLANS ARE PROVIDED FOR OPENING TYPE LOCATION ONLY. REFER TO SPECIFIC MARK ELEVATIONS FOR SIZE REFERENCE DIMENSIONING, MULLION SPACING, ETC.

**LOWER LEVEL FLOOR PLAN -
KITCHEN/CAFETERIA**

NTS ARCH. REF.: A1.0C



1ST SUBMISSION	8.1.22
1ST REVISION	10.12.22
2ND REVISION	12.16.22
DATE	
DRAWING SUBMISSION	

ERECTOR:
MUSCOGEE GLASS
 6922 JAMESSON WAY
 MIDLAND, GA 31820
 (706)-569-9500

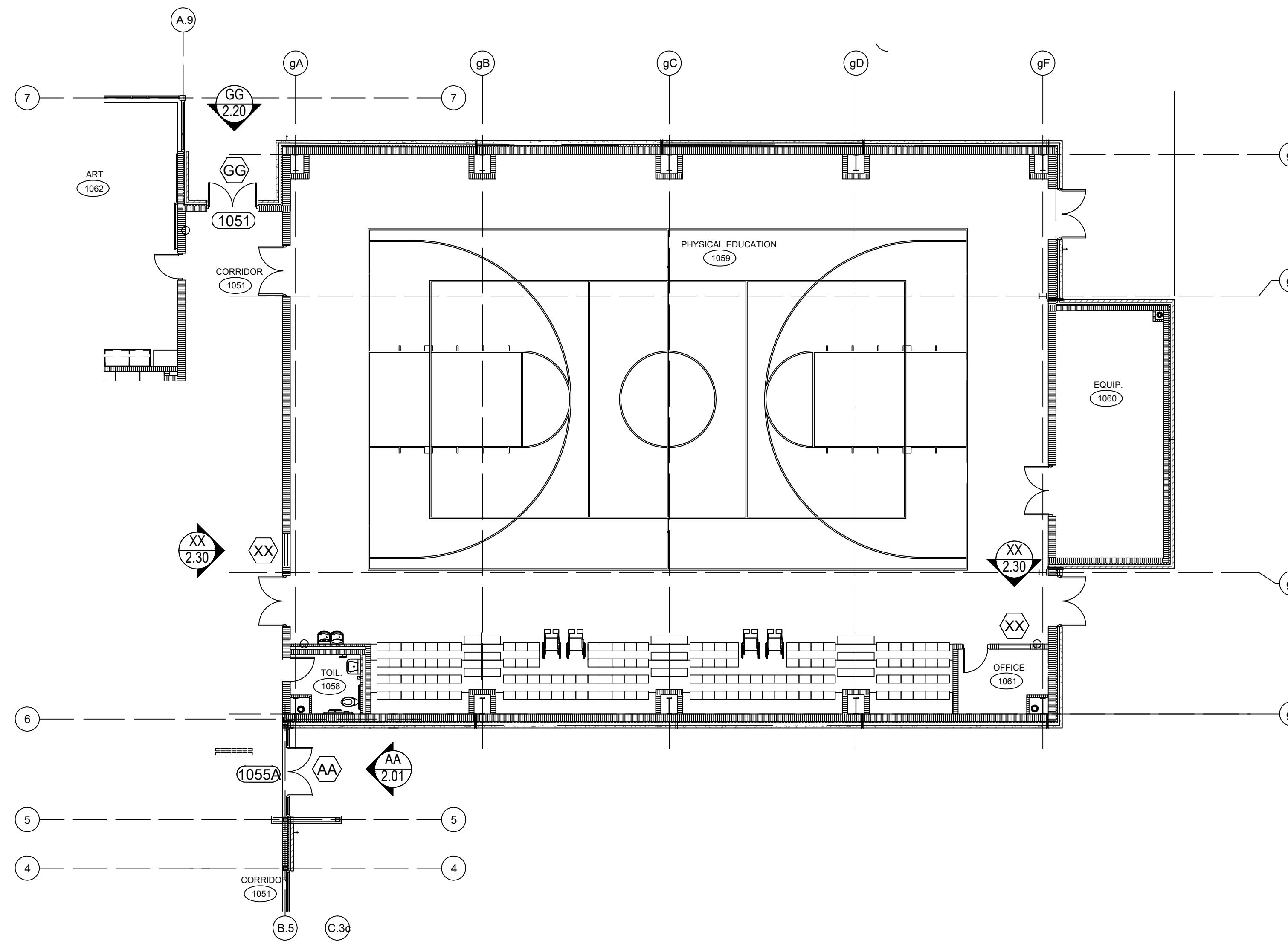
PROJECT: MCSD ELEMENTARY SCHOOL NO. 8
 LOCATION: 180 NORTHSTAR DRIVE
 COLUMBUS, GA 31907

DRAWN BY:	DATE:
DJ	8.1.22
CHECKED BY:	DATE:
CJ	8.1.22

1.03

ARCH / G.C. NOTE:

FLOOR PLANS ARE PROVIDED FOR OPENING TYPE LOCATION ONLY. REFER TO SPECIFIC MARK ELEVATIONS FOR SIZE REFERENCE DIMENSIONING, MULLION SPACING, ETC.

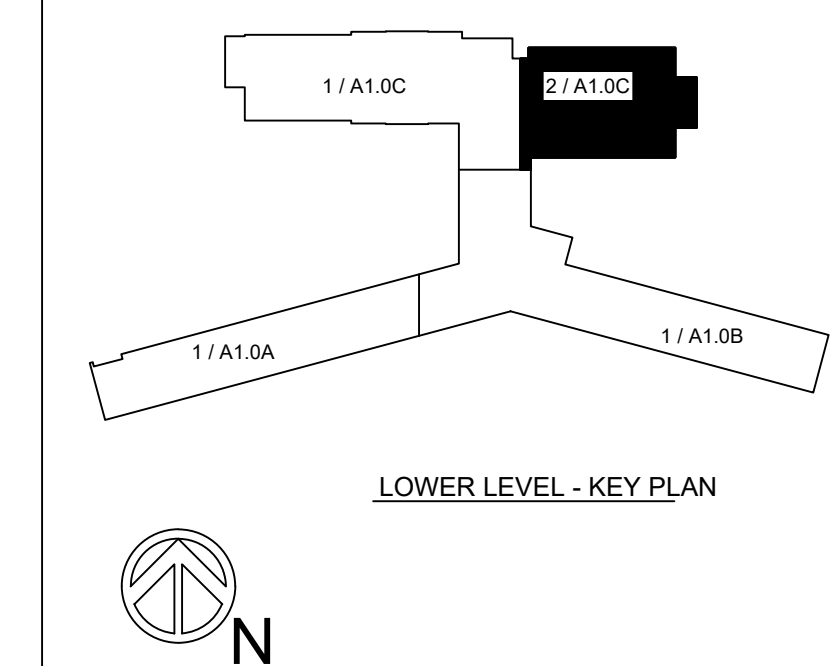


LOWER LEVEL FLOOR PLAN - GYM

NTS

ARCH. REF.: A1.0C

KEY PLAN



1ST SUBMISSION	8.1.22
1ST REVISION	10.12.22
2ND REVISION	12.16.22
	DATE
DRAWING SUBMISSION	

ERECTOR:
MUSCOGEE GLASS
 6922 JAMESSON WAY
 MIDLAND, GA 31820
 (706)-569-9500

PROJECT: MCSD ELEMENTARY SCHOOL NO. 8
 LOCATION: 180 NORTHSTAR DRIVE
 COLUMBUS, GA 31907

DRAWN BY:	DATE:
DJ	8.1.22
CHECKED BY:	DATE:
CJ	8.1.22

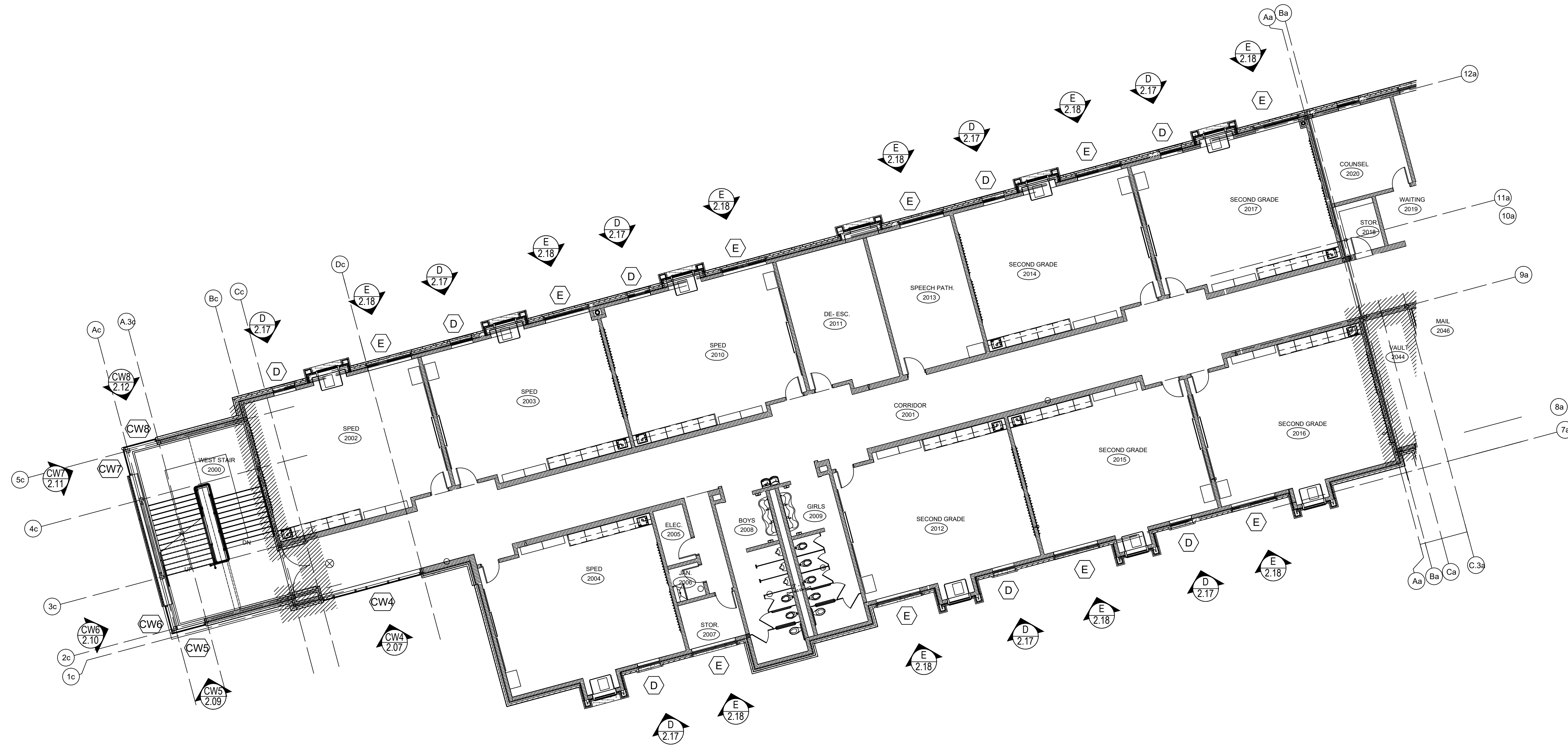
ARCH / G.C. NOTE:

FLOOR PLANS ARE PROVIDED FOR OPENING TYPE LOCATION ONLY. REFER TO SPECIFIC MARK ELEVATIONS FOR SIZE REFERENCE DIMENSIONING, MULLION SPACING, ETC.

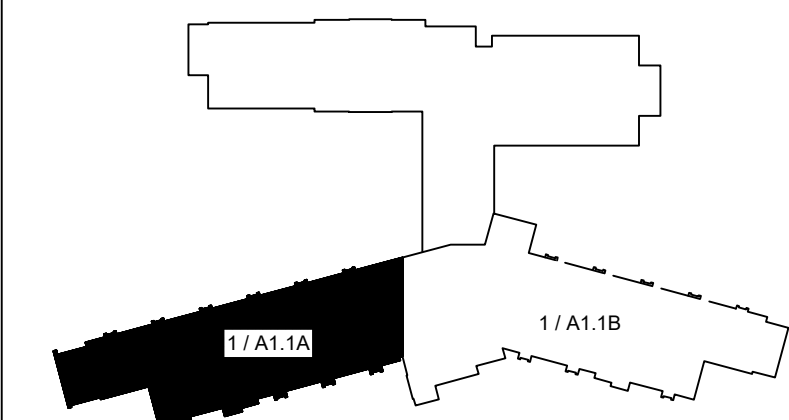
ENTRY LEVEL FLOOR PLAN - WEST WING

NTS

ARCH. REF.: A1.1A



KEY PLAN



ENTRY LEVEL - KEY PLAN

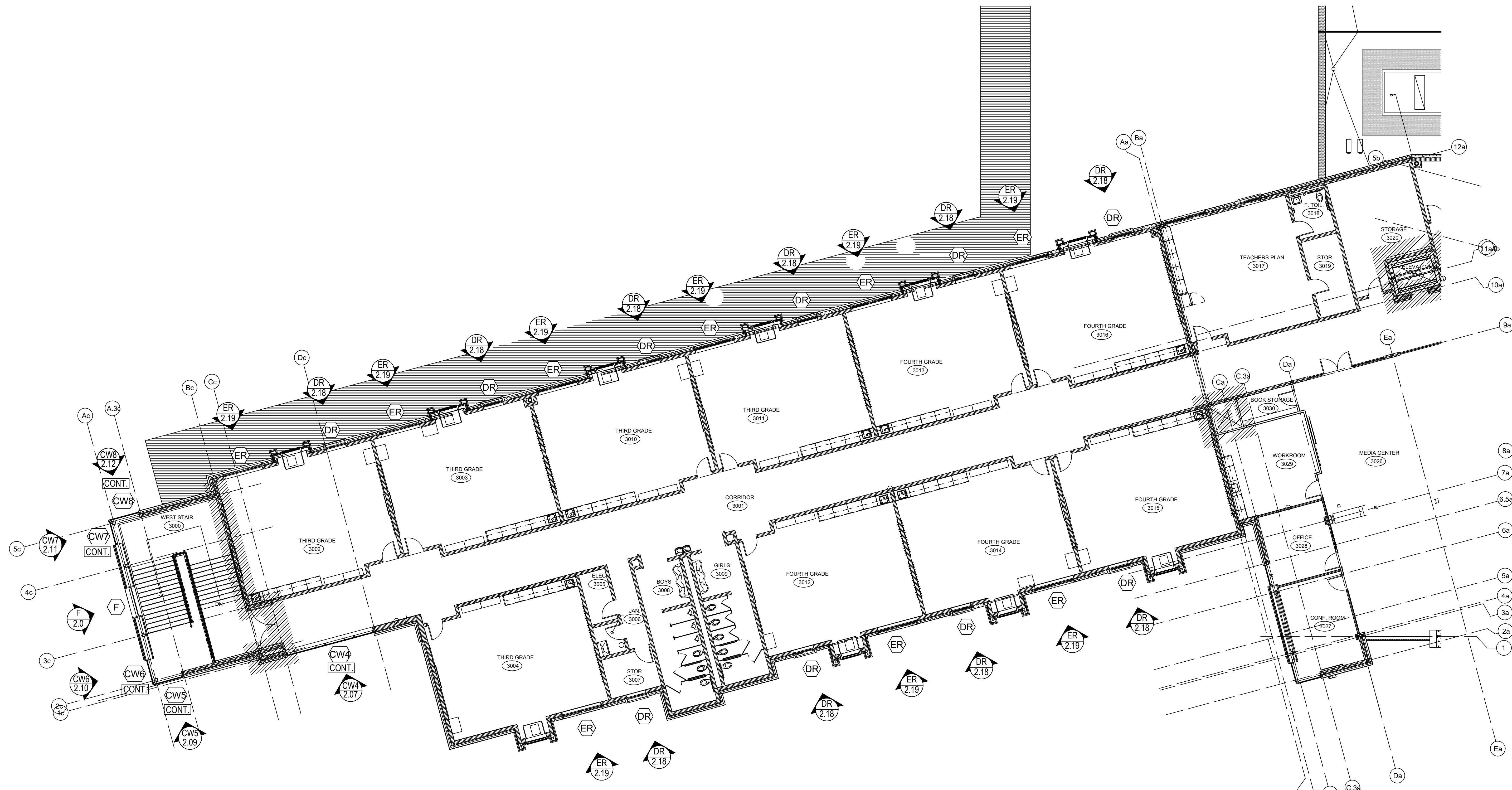
PROJECT: MCS D ELEMENTARY SCHOOL NO. 8

LOCATION: 180 NORTHSTAR DRIVE
COLUMBUS, GA 31907

DRAWN BY: DJ DATE: 8.1.22
CHECKED BY: CJ DATE: 8.1.22

1ST SUBMISSION	8.1.22
1ST REVISION	10.12.22
2ND REVISION	12.16.22
DATE	
DRAWING SUBMISSION	

ERECTOR:
MUSCOGEE GLASS
6922 JAMESSON WAY
MIDLAND, GA 31820
(706)-569-9500



ARCH / G.C. NOTE:

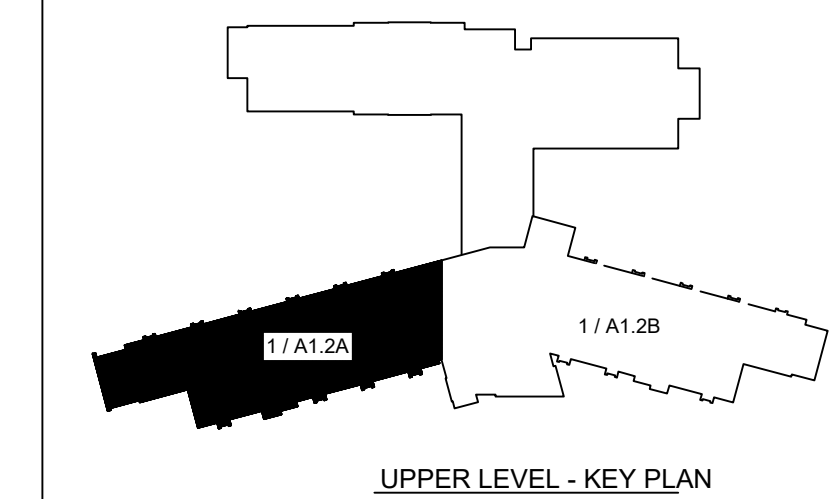
FLOOR PLANS ARE PROVIDED FOR OPENING TYPE LOCATION ONLY. REFER TO SPECIFIC MARK ELEVATIONS FOR SIZE REFERENCE DIMENSIONING, MULLION SPACING, ETC.

UPPER LEVEL FLOOR PLAN - WEST WING

NTS

ARCH. REF.: A1.2A

KEY PLAN



UPPER LEVEL - KEY PLAN

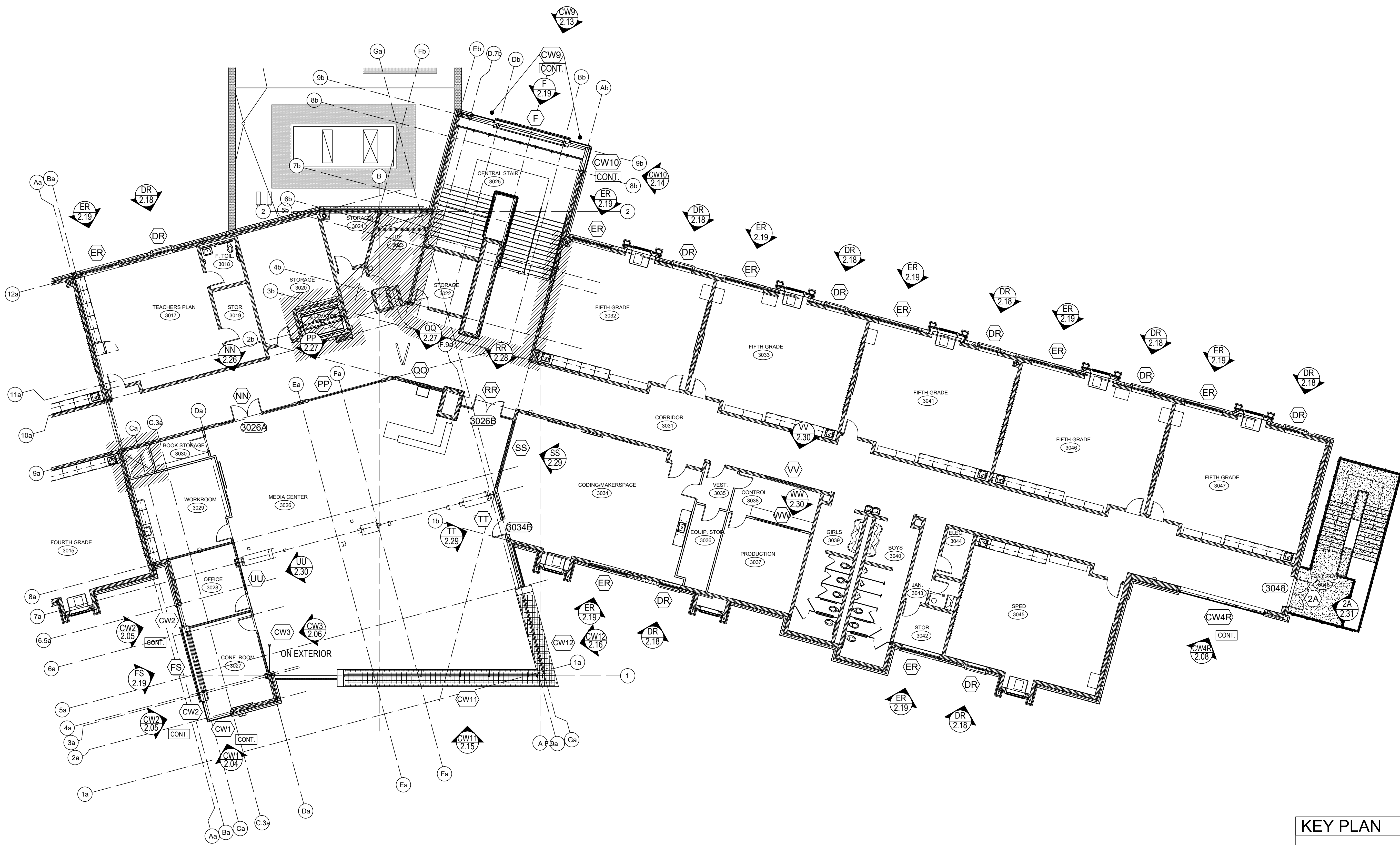
1ST SUBMISSION	8.1.22
1ST REVISION	10.12.22
2ND REVISION	12.16.22
DATE	

ERECTOR:
MUSCOGEE GLASS
 6922 JAMESSON WAY
 MIDLAND, GA 31820
 (706)-569-9500

PROJECT: MCS D ELEMENTARY SCHOOL NO. 8

LOCATION: 180 NORTHSTAR DRIVE
 COLUMBUS, GA 31907

DRAWN BY:	DATE:
DJ	8.1.22
CHECKED BY:	DATE:
CJ	8.1.22



ARCH / G.C. NOTE:

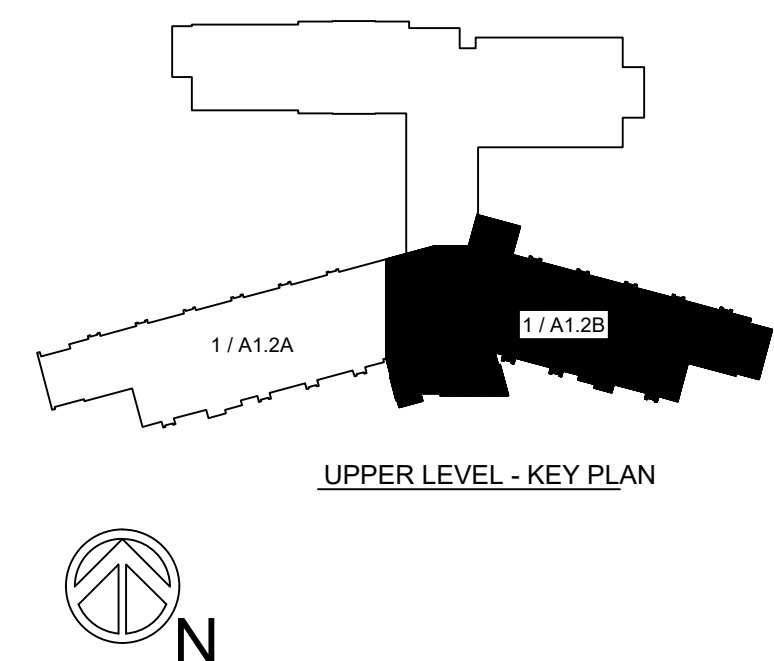
FLOOR PLANS ARE PROVIDED FOR OPENING TYPE LOCATION ONLY. REFER TO SPECIFIC MARK ELEVATIONS FOR SIZE REFERENCE DIMENSIONING, MULLION SPACING, ETC.

UPPER LEVEL FLOOR PLAN - EAST WING

NTS

ARCH. REF.: A1.2B

KEY PLAN



1ST SUBMISSION	8.1.22
1ST REVISION	10.12.22
2ND REVISION	12.16.22
DATE	

ERECTOR:
MUSCOGEE GLASS
 6922 JAMESSON WAY
 MIDLAND, GA 31820
 (706)-569-9500

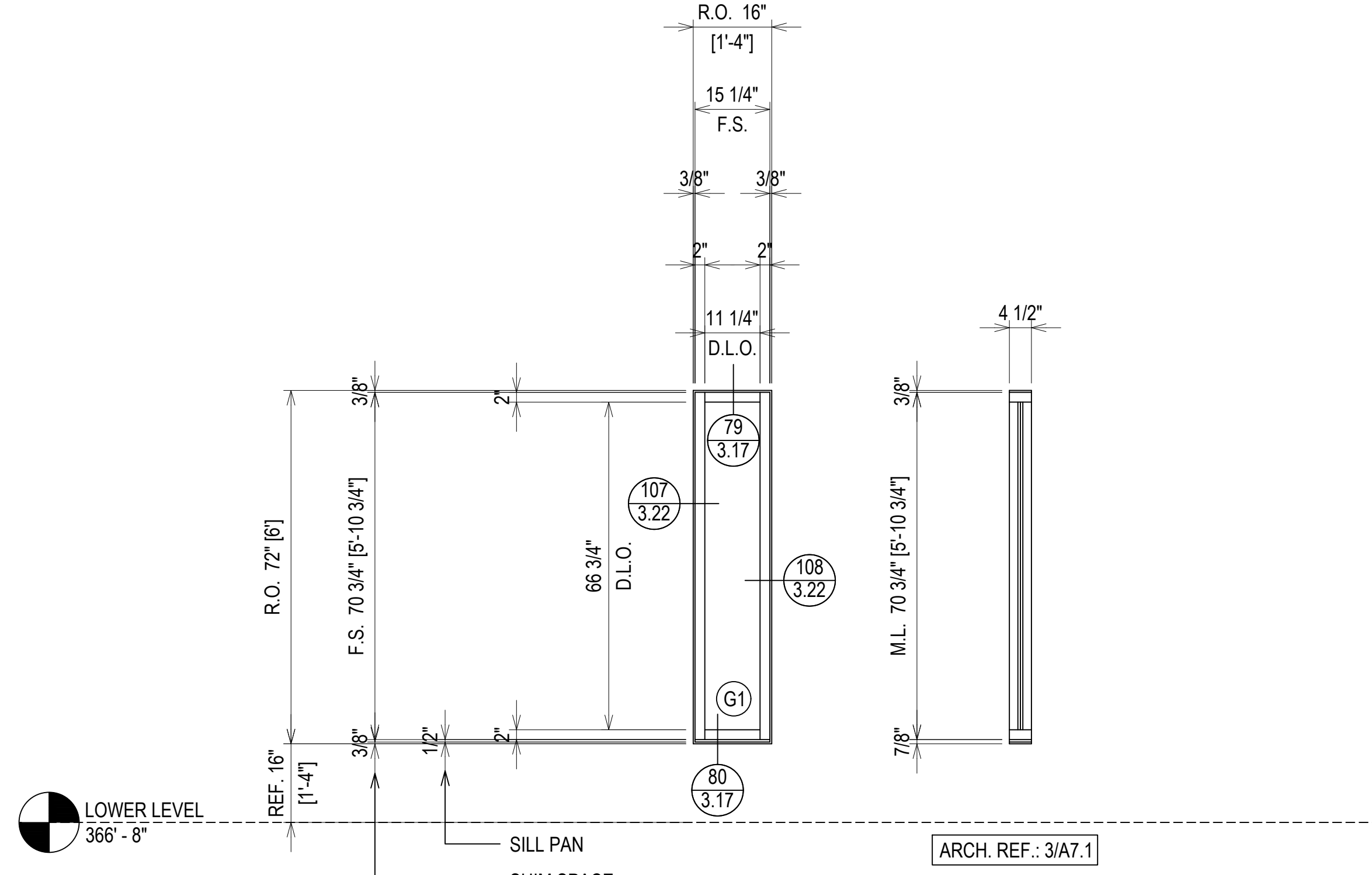
PROJECT: MCSD ELEMENTARY SCHOOL NO. 8

LOCATION: 180 NORTHSTAR DRIVE
 COLUMBUS, GA 31907

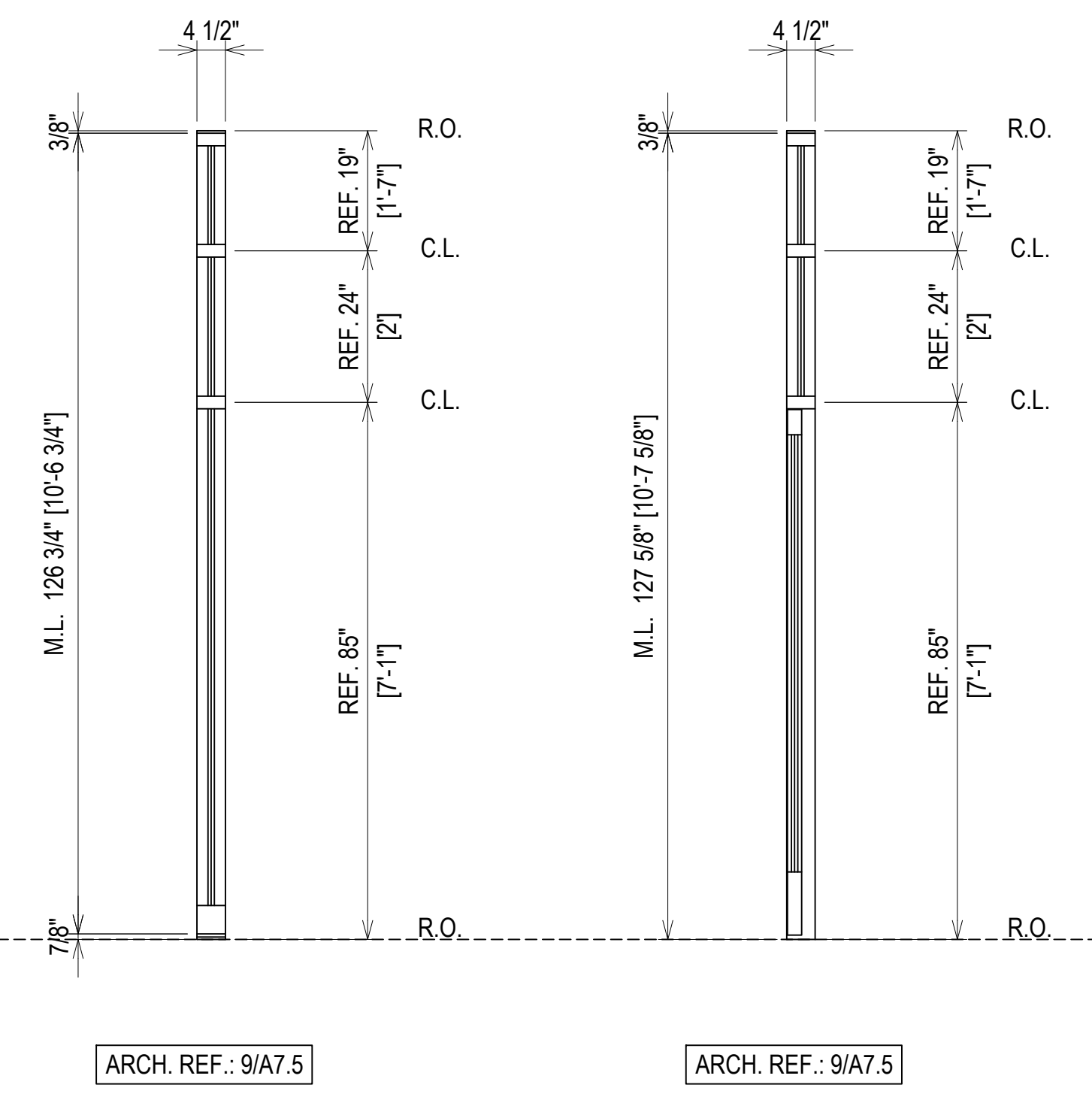
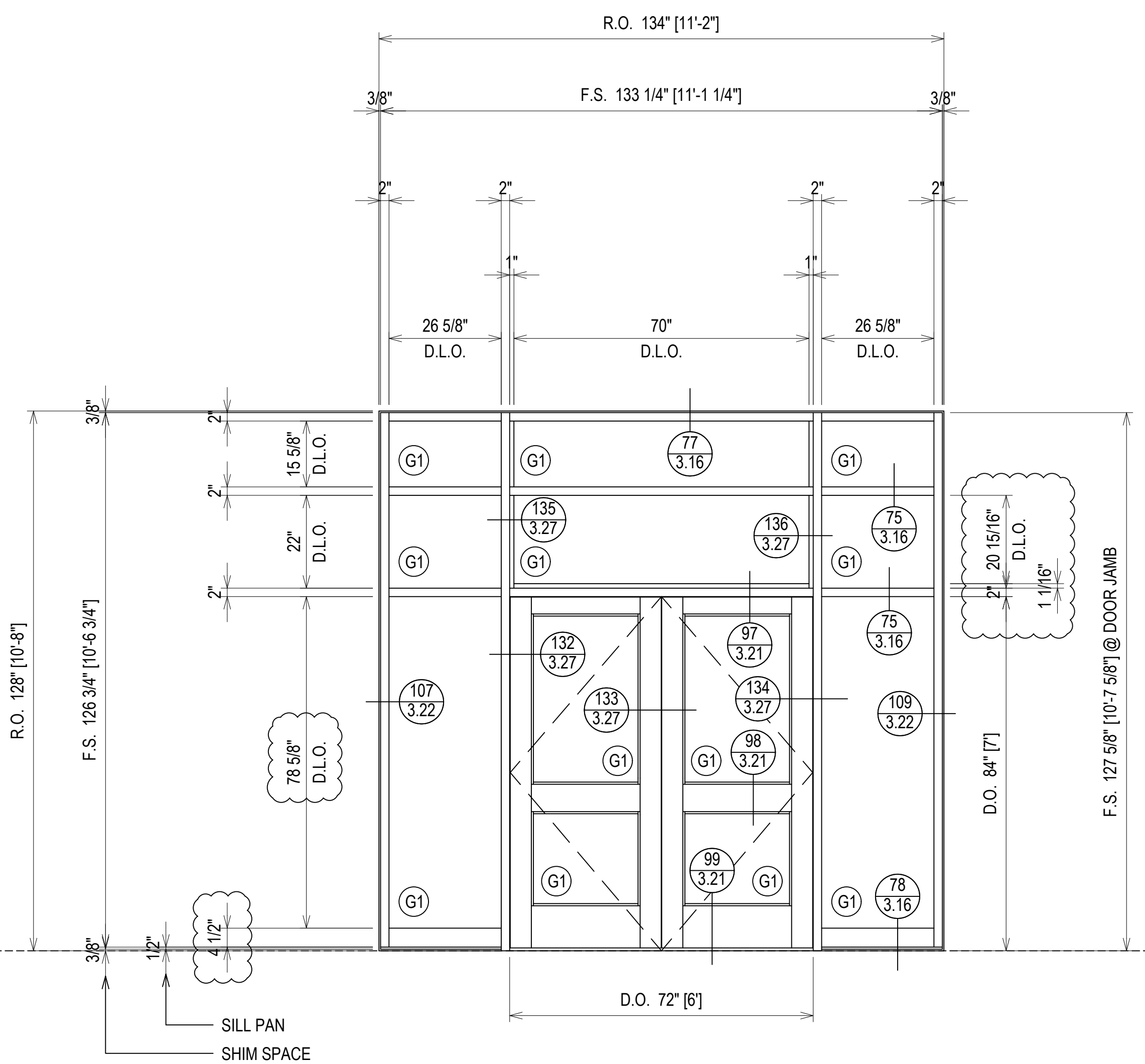
DRAWN BY:	DATE:
DJ	8.1.22
CHECKED BY:	DATE:
CJ	8.1.22

1.08

DRAWING SUBMISSION



ELEVATION B
 SCALE: 1/2" = 1'-0"
 KAWNEER TRIFAB 451T - 2" X 4 1/2"
 EXTERIOR STOREFRONT
 1" INSULATED GLASS (CENTER SET)
 QUANTITY: 6



ELEVATION BB
 SCALE: 1/2" = 1'-0"
 KAWNEER TRIFAB 451T - 2" X 4 1/2"
 EXTERIOR STOREFRONT
 1" INSULATED GLASS (CENTER SET)
 QUANTITY: 1



1ST SUBMISSION	8.1.22
1ST REVISION	10.12.22
2ND REVISION	12.16.22
NO	DATE
DESCRIPTION	
DRAWING SUBMISSION	

ERECTOR:
MUSCOGEE GLASS
 6922 JAMESSON WAY
 MIDLAND, GA 31820
 (706)-569-9500

PROJECT: MCSD ELEMENTARY SCHOOL NO. 8
 LOCATION: 180 NORTHSTAR DRIVE
 COLUMBUS, GA 31907

DRAWN BY:	DATE:
DJ	8.1.22
CHECKED BY:	DATE:
CJ	8.1.22

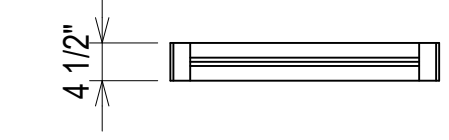
ERECTOR / G.C. NOTE:
 PLEASE FIELD VERIFY ALL DIMENSIONS



LOWER LEVEL
366'-8"

ELEVATION C

SCALE: 1/2" = 1'-0"
 KAWNEER TRIFAB 451T - 2" X 4 1/2"
 EXTERIOR STOREFRONT
 1" INSULATED GLASS (CENTER SET)
 QUANTITY: 6



4 1/2"

SILL PAN
SHIM SPACE

ARCH. REF.: 2/A7.6



LOWER LEVEL
366'-8"

ELEVATION CC

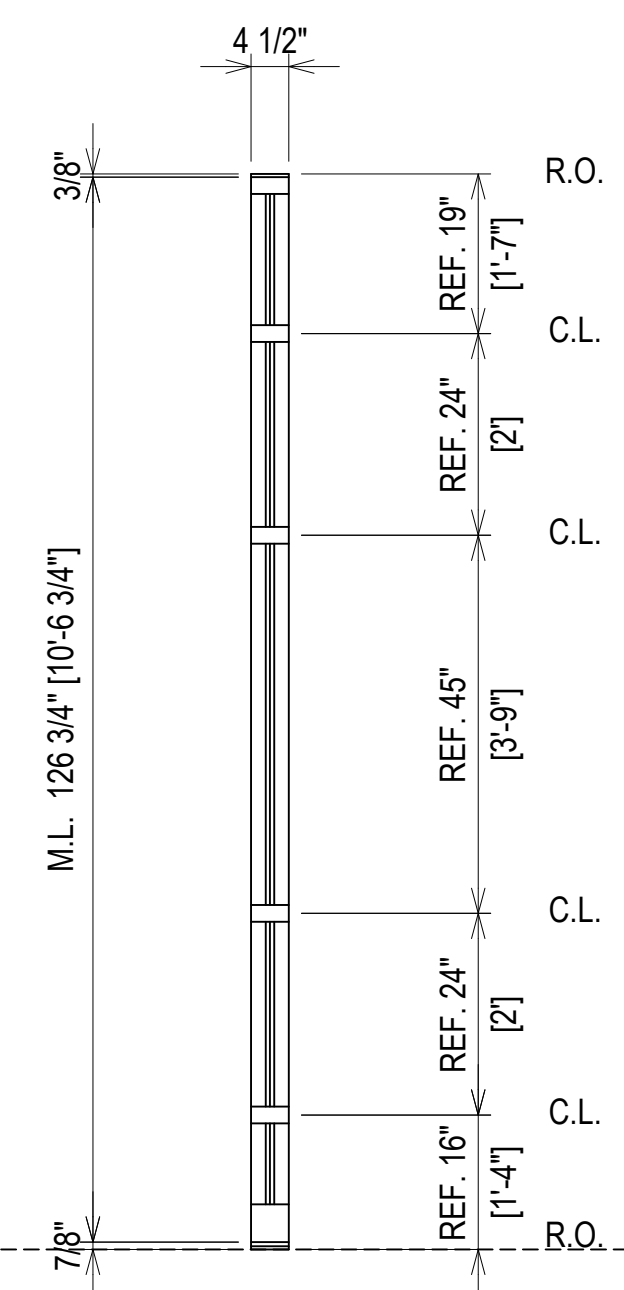
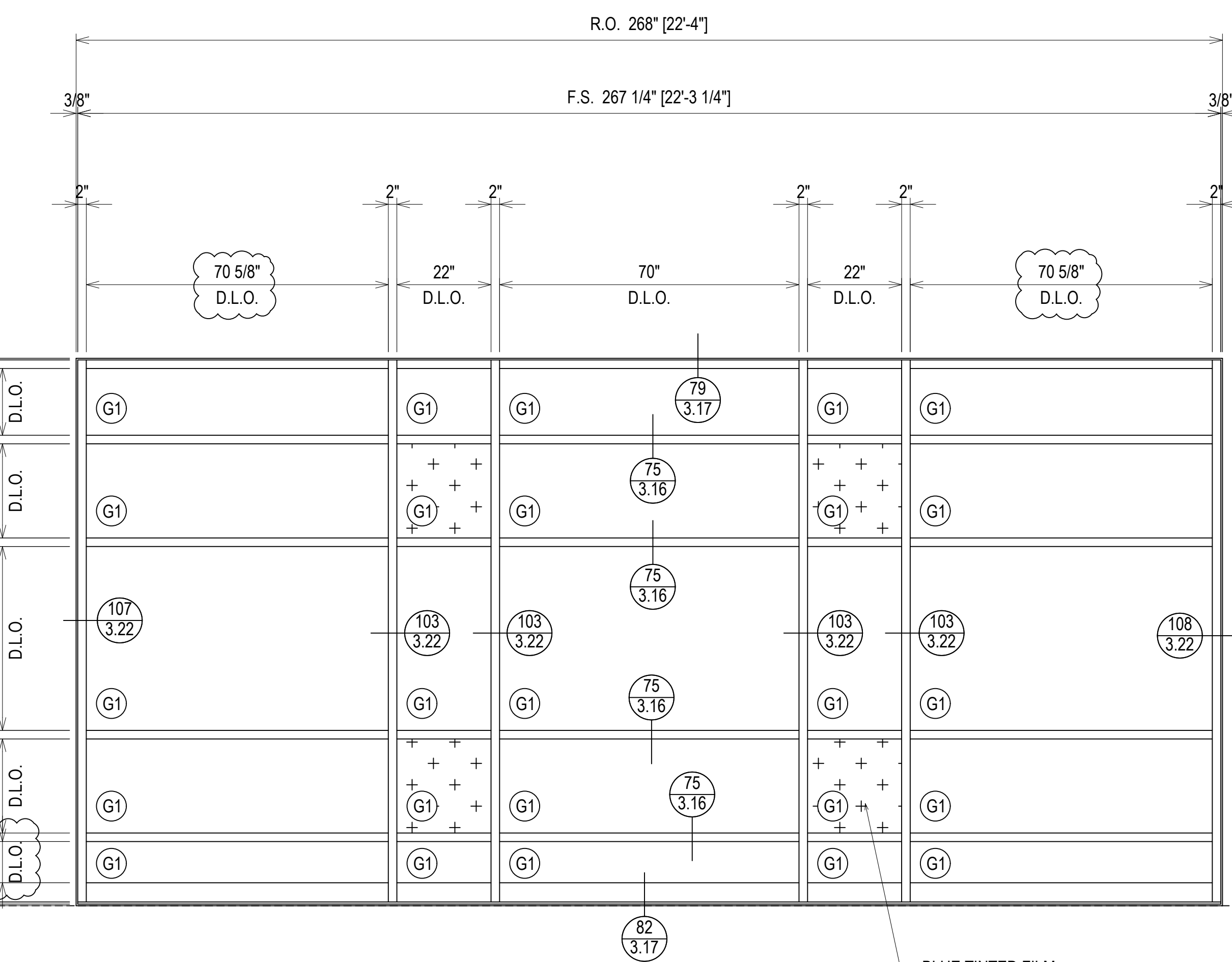
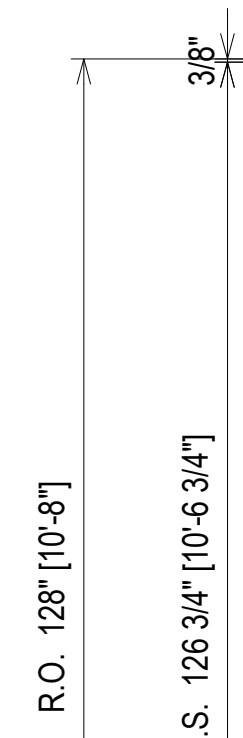
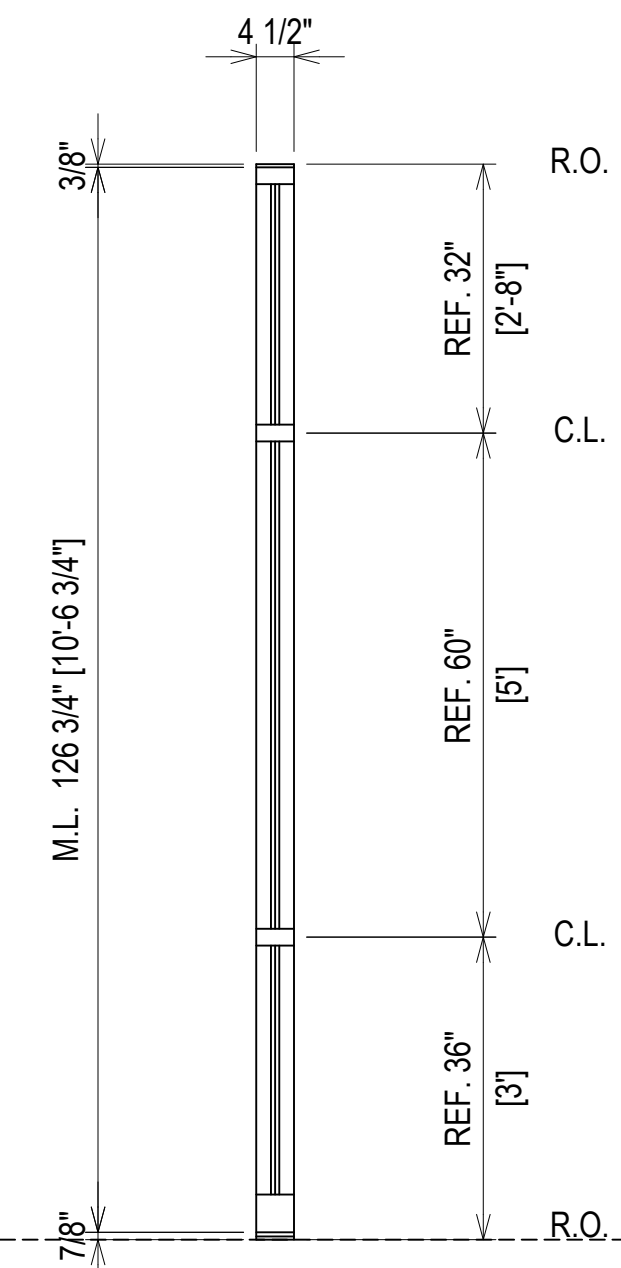
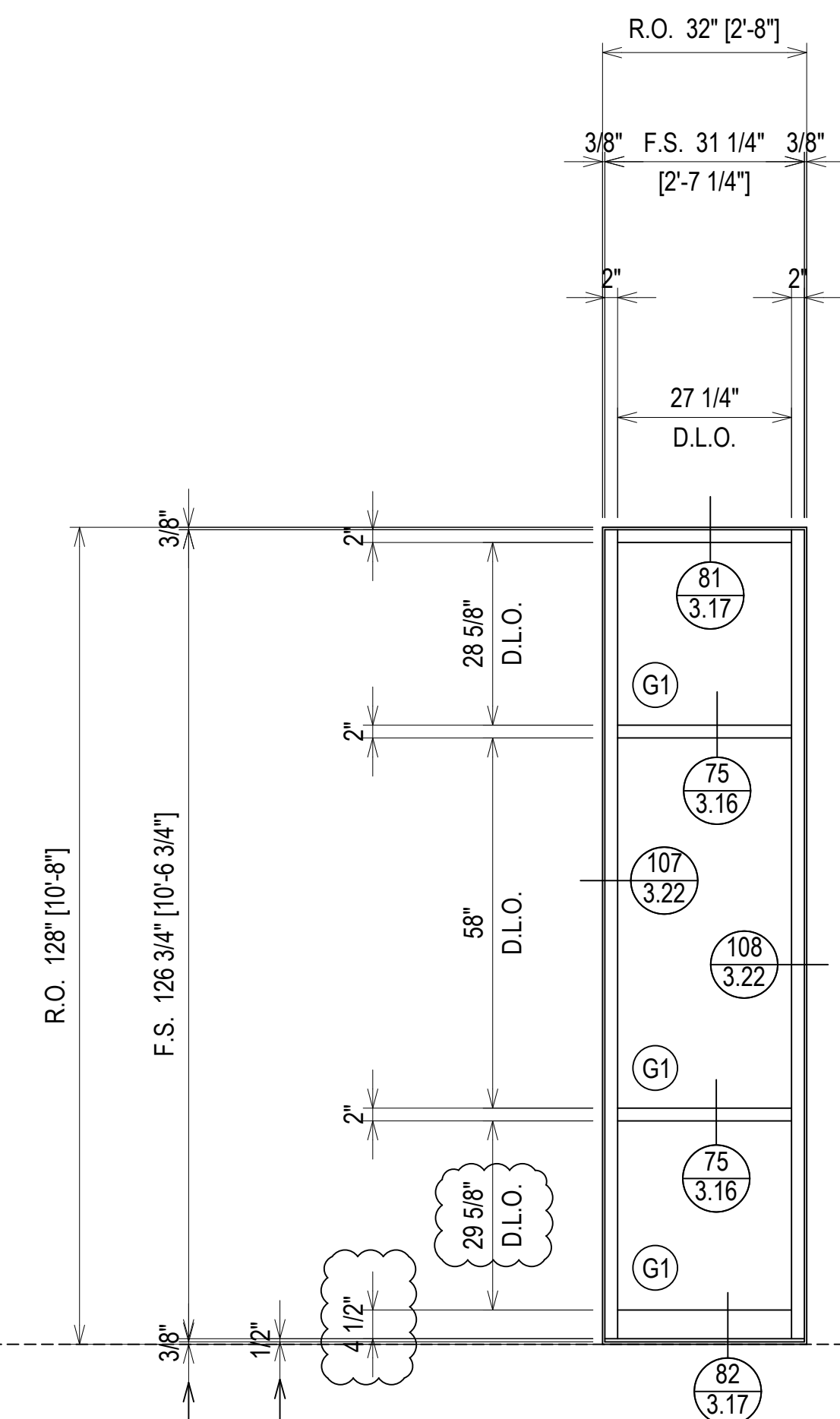
SCALE: 1/2" = 1'-0"
 KAWNEER TRIFAB 451T - 2" X 4 1/2"
 EXTERIOR STOREFRONT
 1" INSULATED GLASS (CENTER SET)
 QUANTITY: 1



4 1/2"

SILL PAN
SHIM SPACE

ARCH. REF.: 2/A7.6



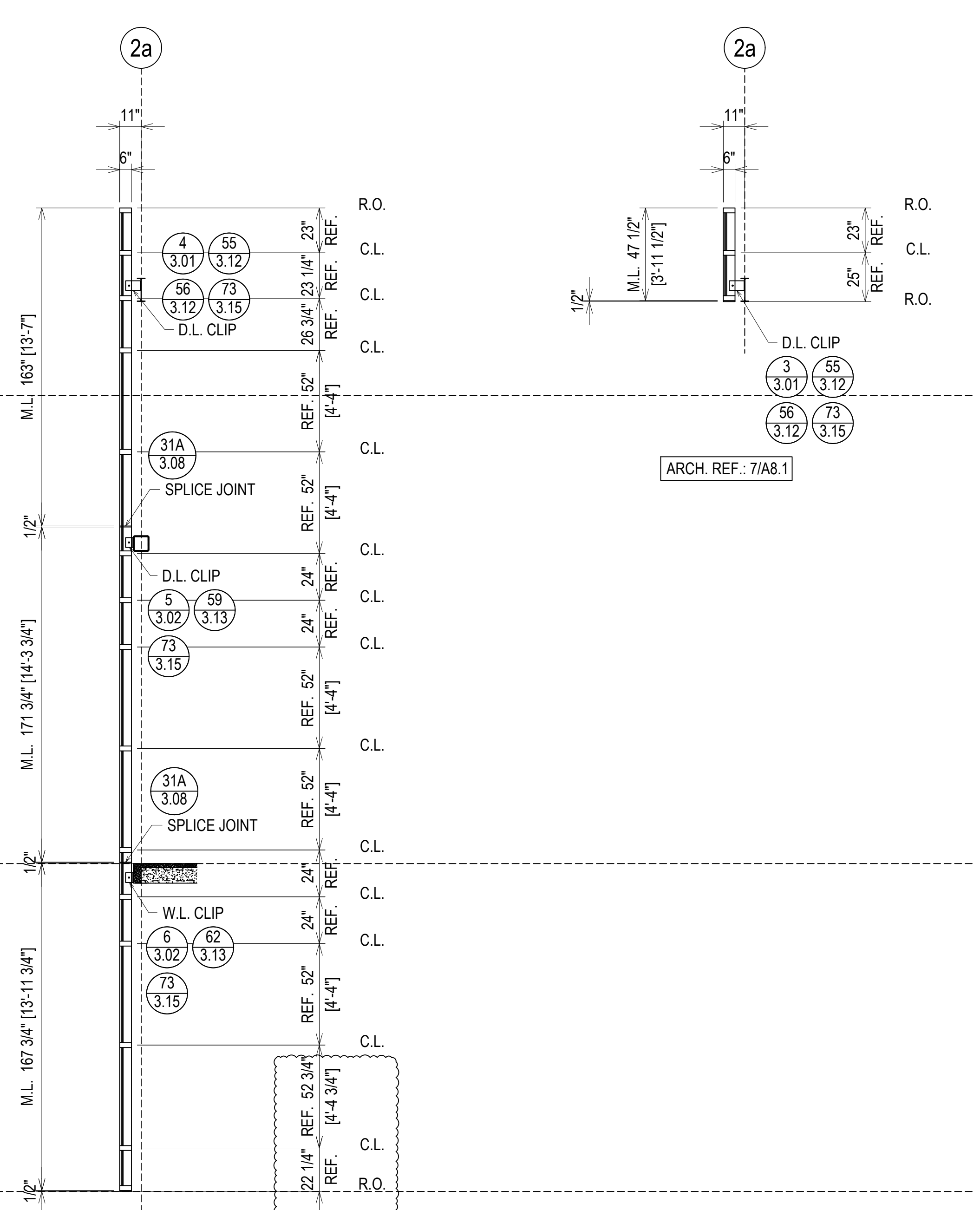
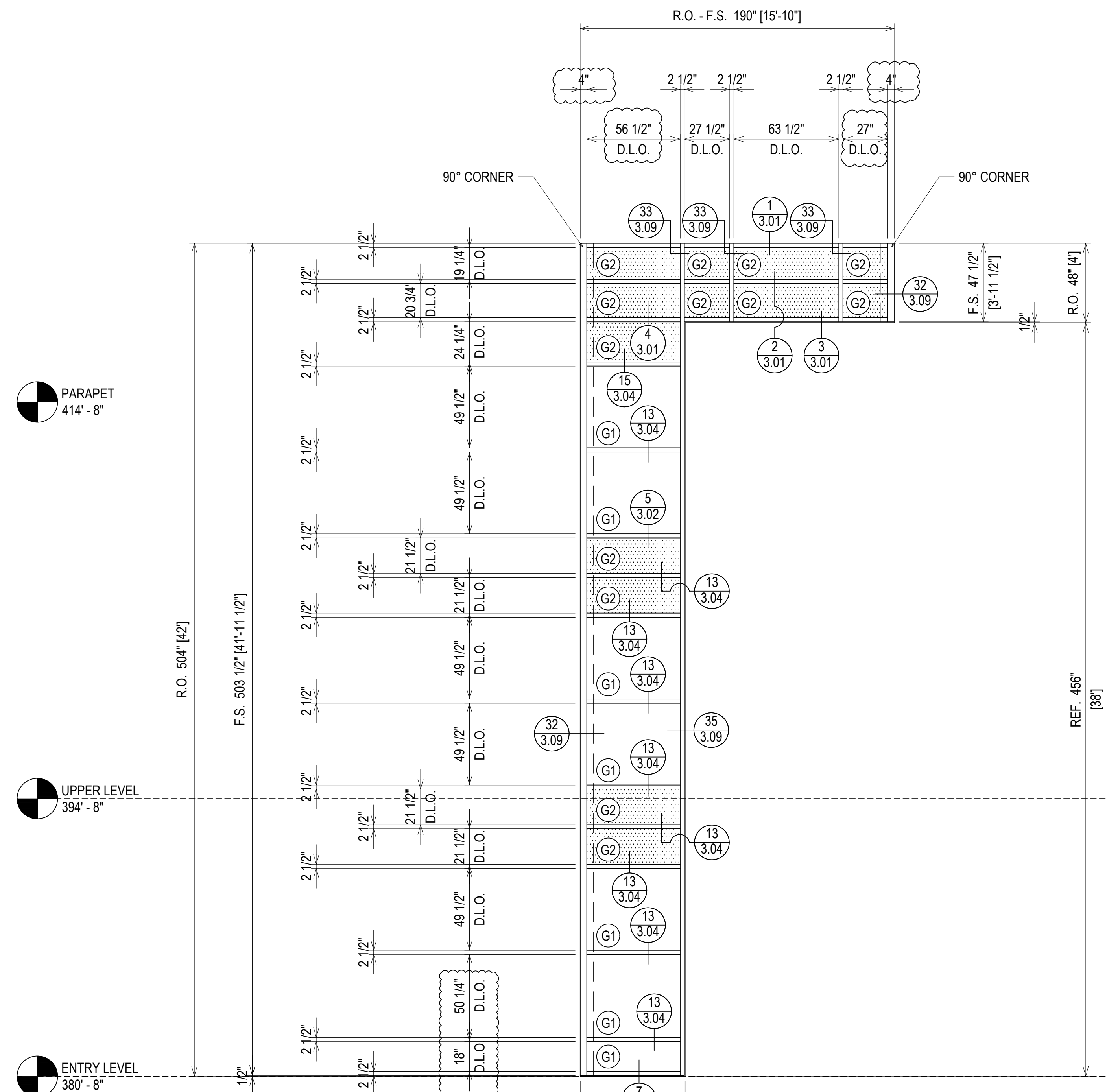
1ST SUBMISSION	8.1.22
1ST REVISION	10.12.22
2ND REVISION	12.16.22
NO	DATE
DESCRIPTION	
DRAWING SUBMISSION	

ERECTOR:
MUSCOGEE GLASS
 6922 JAMESSON WAY
 MIDLAND, GA 31820
 (706)-569-9500

PROJECT: MCSD ELEMENTARY SCHOOL NO. 8
 LOCATION: 180 NORTHSTAR DRIVE
 COLUMBUS, GA 31907

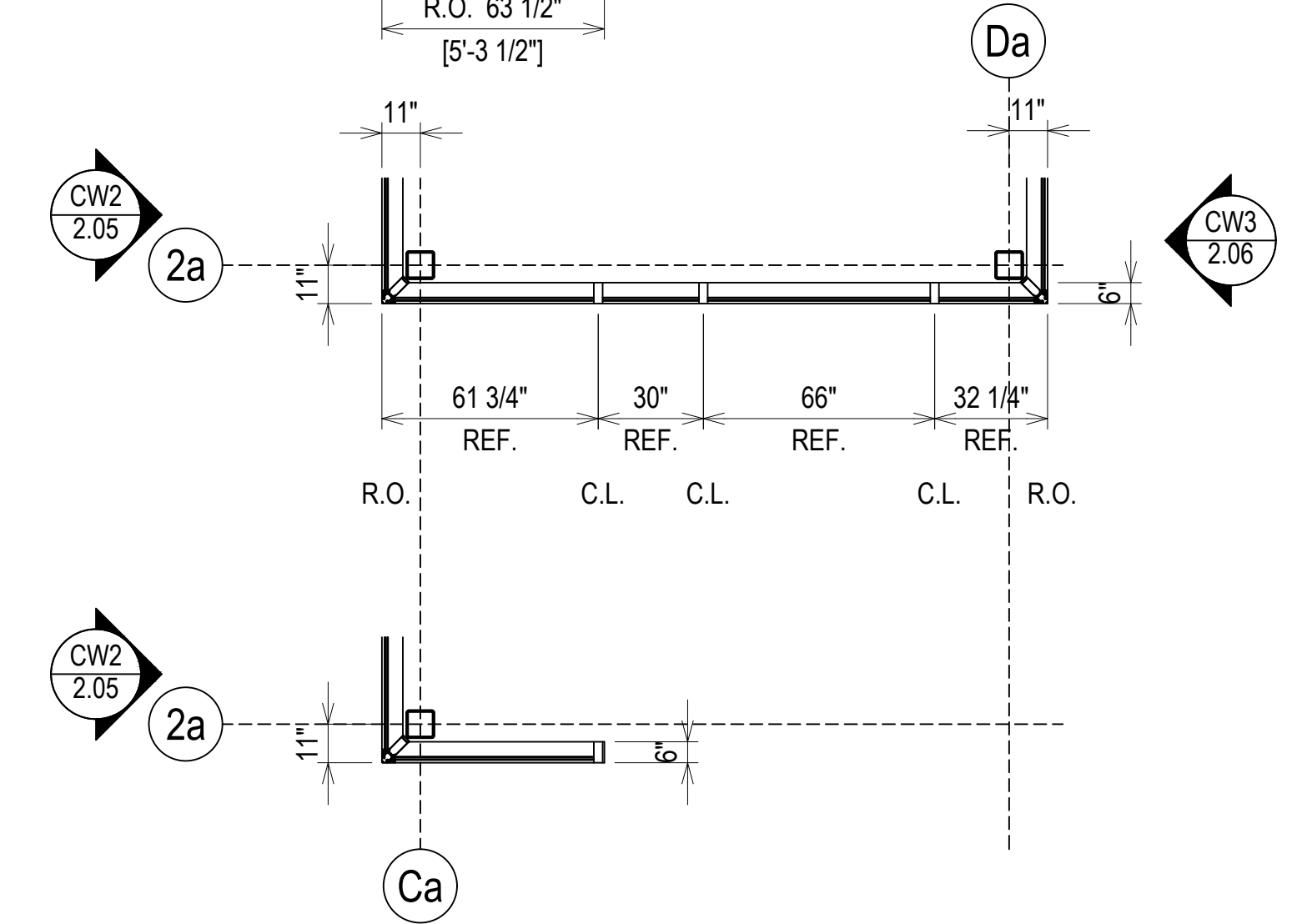
DRAWN BY:	DATE:
DJ	8.1.22
CHECKED BY:	DATE:
CJ	8.1.22

ERECTOR / G.C. NOTE:
 PLEASE FIELD VERIFY ALL DIMENSIONS



ARCH NOTE: DIMENSION CHANGED TO ALIGN WITH ADJACENT FRAME. PLEASE CONFIRM.

ARCH NOTE: DIMENSION CHANGED TO ALIGN WITH ADJACENT FRAME. PLEASE CONFIRM.



ELEVATION CW1
 SCALE: 1/4" = 1'-0"
 KAWNEER 1600 SYSTEM 1 - 2 1/2" X 6"
 EXTERIOR CURTAIN WALL
 1" INSULATED GLASS (FRONT SET)
 QUANTITY: 1

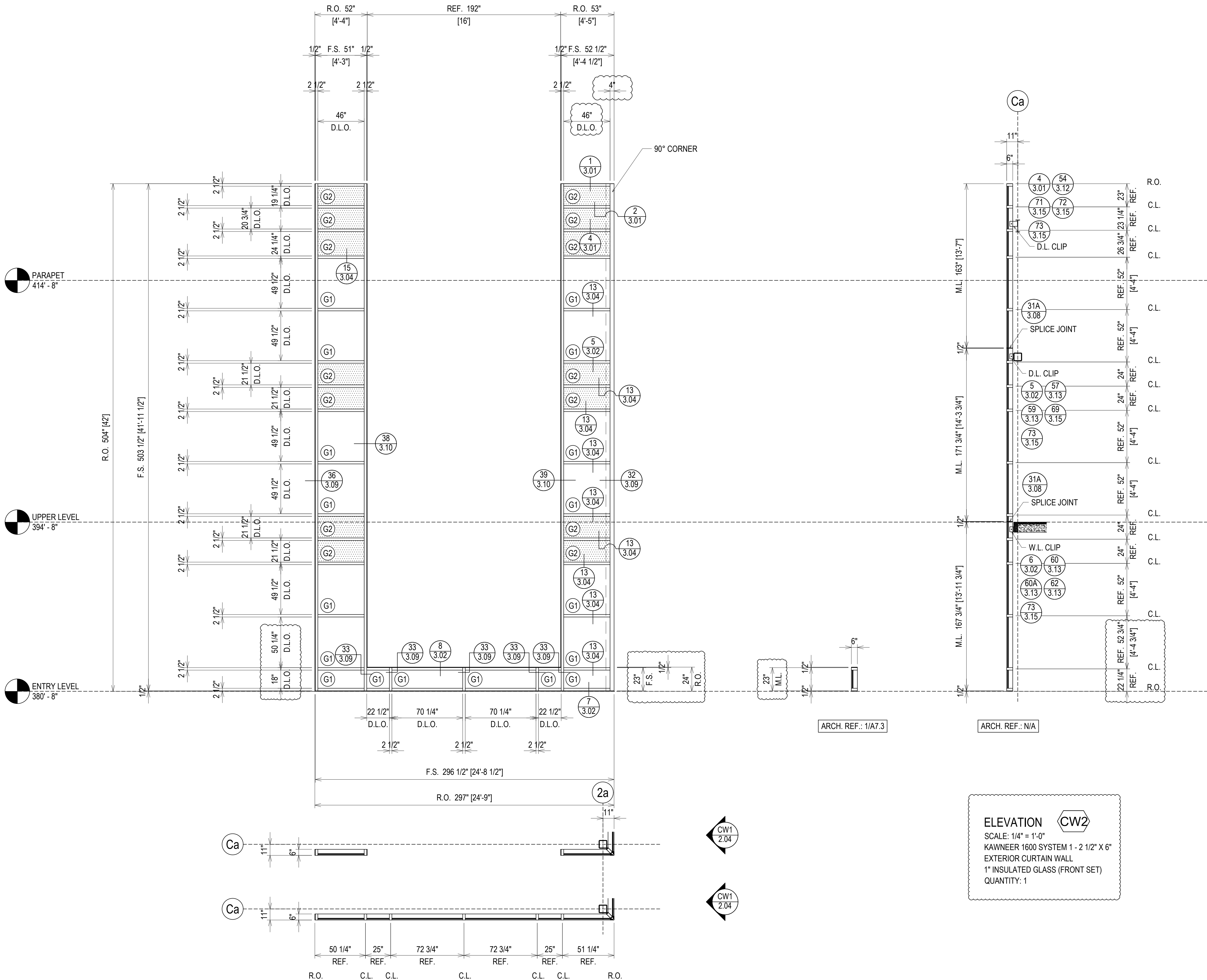
1ST SUBMISSION	8.1.22
1ST REVISION	10.12.22
2ND REVISION	12.16.22
NO	DATE
DESCRIPTION	DRAWING SUBMISSION

ERECTOR:
MUSCOGEE GLASS
 6922 JAMESSON WAY
 MIDLAND, GA 31820
 (706)-569-9500

PROJECT: MCSD ELEMENTARY SCHOOL NO. 8
 LOCATION: 180 NORTHSTAR DRIVE
 COLUMBUS, GA 31907

DRAWN BY:	DATE:
DJ	8.1.22
CHECKED BY:	DATE:
CJ	8.1.22

ERECTOR / G.C. NOTE:
 PLEASE FIELD VERIFY ALL DIMENSIONS



ELEVATION CW2
 SCALE: 1/4" = 1'-0"
 KAWNEER 1600 SYSTEM 1 - 2 1/2" X 6"
 EXTERIOR CURTAIN WALL
 1" INSULATED GLASS (FRONT SET)
 QUANTITY: 1

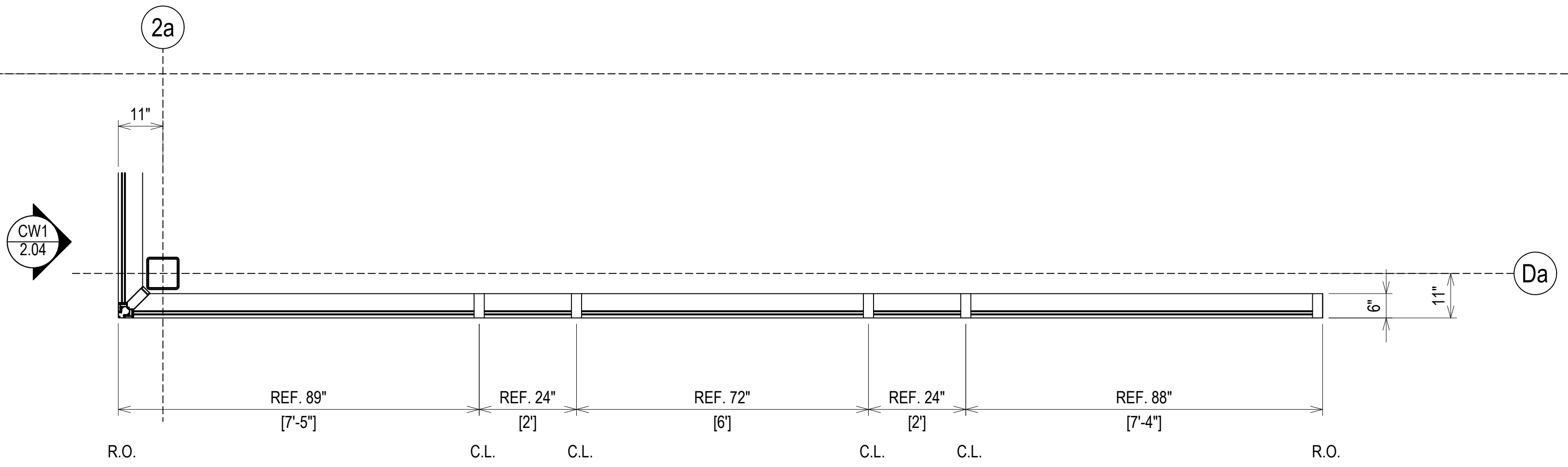
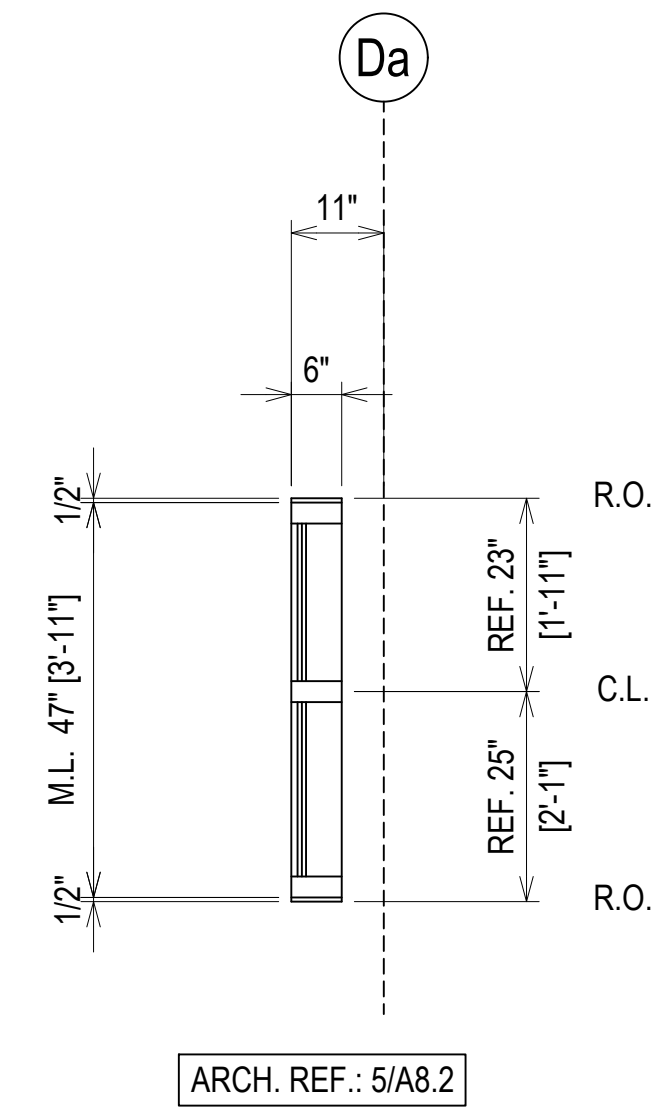
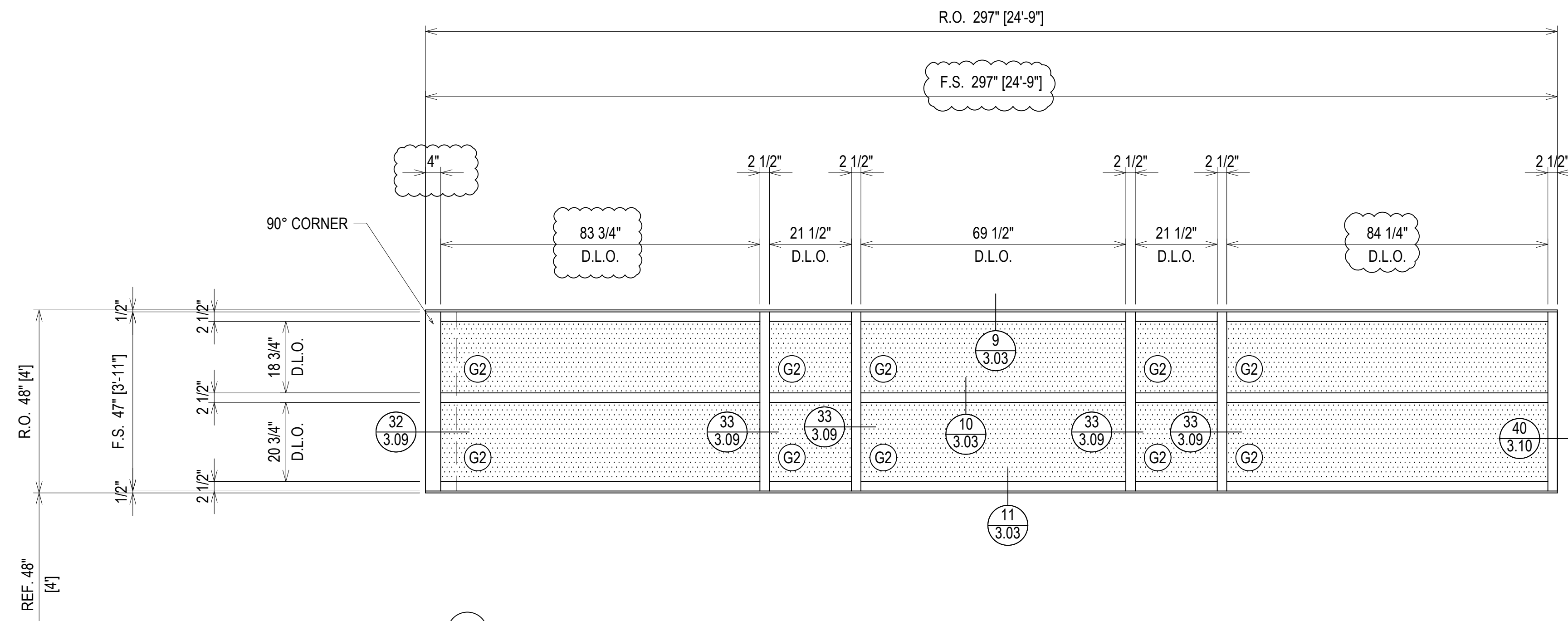
ERECTOR / G.C. NOTE:
 PLEASE FIELD VERIFY ALL DIMENSIONS

1ST SUBMISSION	8.1.22
1ST REVISION	10.12.22
2ND REVISION	12.16.22
NO	DATE
DRAWING SUBMISSION	

ERECTOR:
MUSCOGEE GLASS
 6922 JAMESSON WAY
 MIDLAND, GA 31820
 (706)-569-9500

PROJECT: MCSD ELEMENTARY SCHOOL NO. 8
 LOCATION: 180 NORTHSTAR DRIVE
 COLUMBUS, GA 31907

DRAWN BY:	DATE:
DJ	8.1.22
CHECKED BY:	DATE:
CJ	8.1.22



ELEVATION CW3
 SCALE: 1/2" = 1'-0"
 KAWNEER 1600 SYSTEM 1 - 2 1/2" X 6"
 EXTERIOR CURTAIN WALL
 1" INSULATED GLASS (FRONT SET)
 QUANTITY: 1

ERECTOR / G.C. NOTE:
 PLEASE FIELD VERIFY ALL DIMENSIONS

1ST SUBMISSION	8.1.22
1ST REVISION	10.12.22
2ND REVISION	12.16.22
NO	DESCRIPTION
	DRAWING SUBMISSION

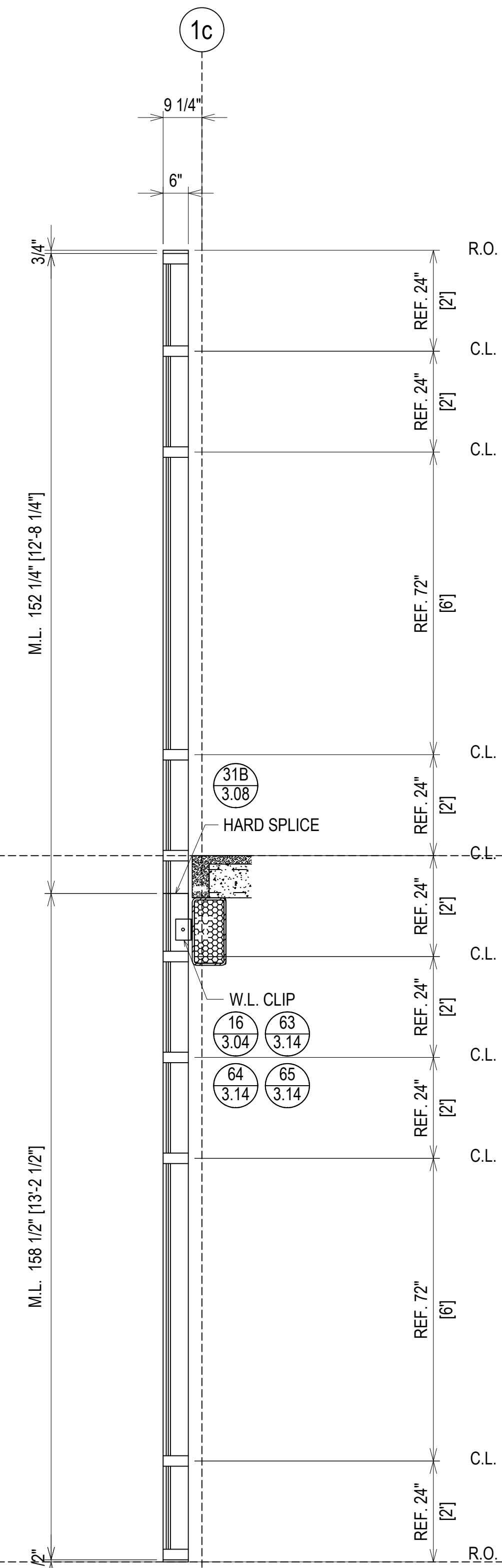
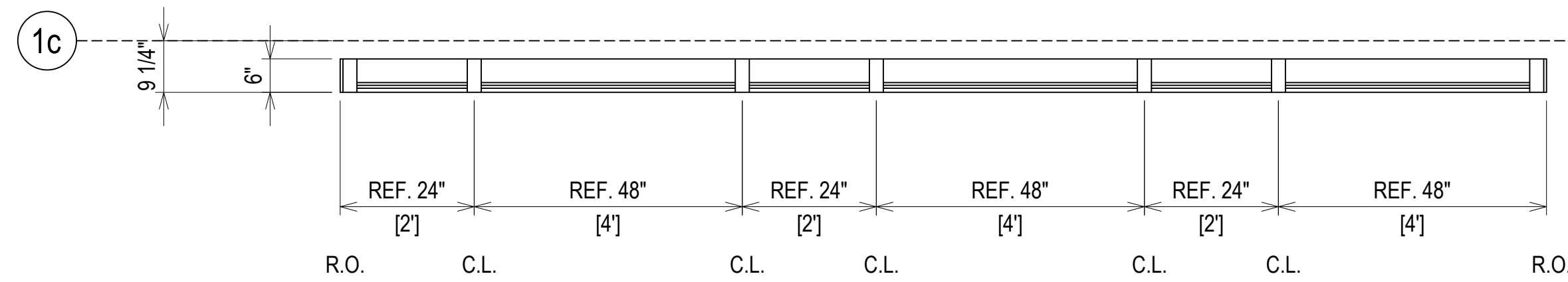
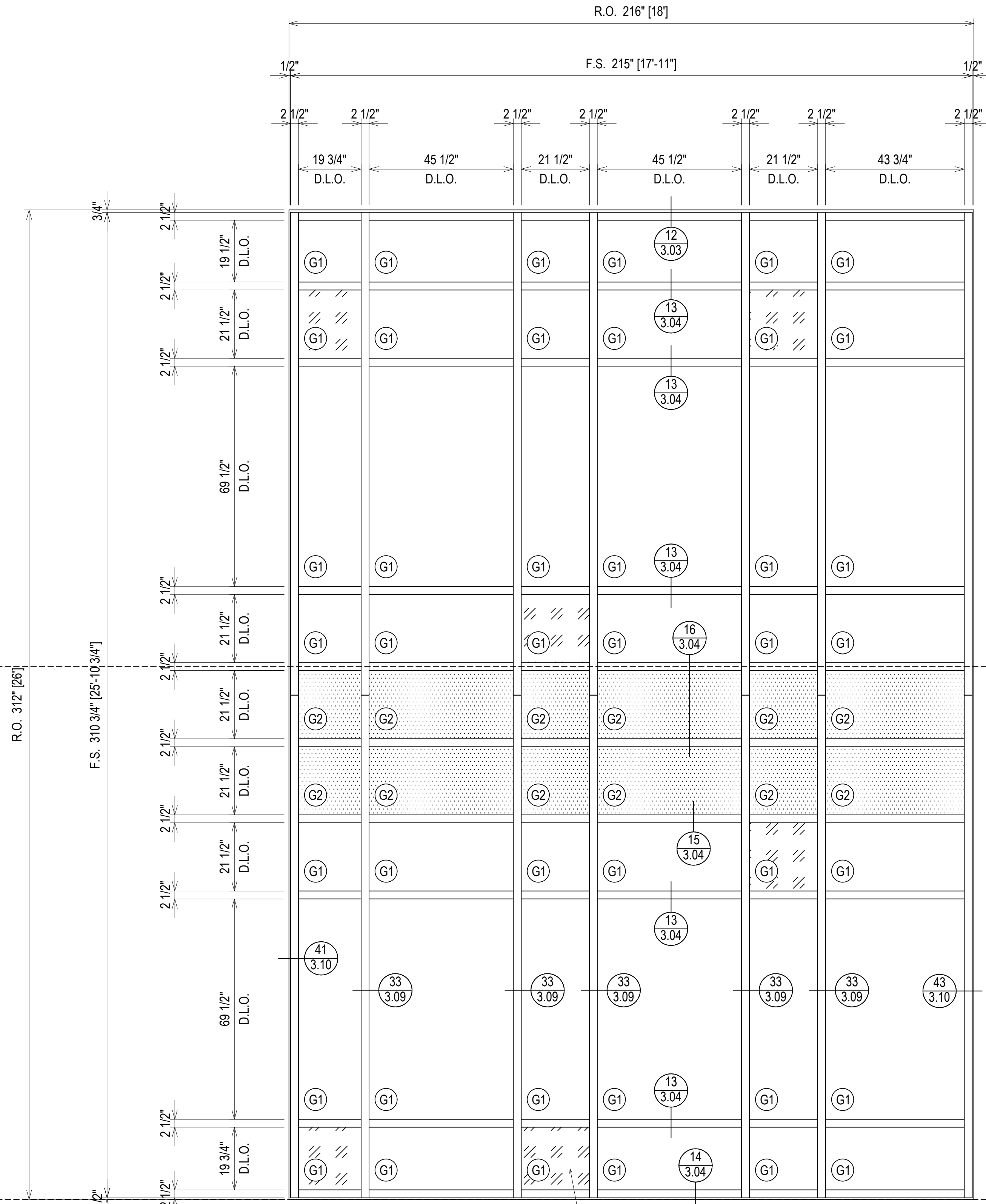
ERECTOR:
MUSCOGEE GLASS
 6922 JAMESSON WAY
 MIDLAND, GA 31820
 (706)-569-9500

PROJECT: MCSD ELEMENTARY SCHOOL NO. 8
 LOCATION: 180 NORTHSTAR DRIVE
 COLUMBUS, GA 31907

DRAWN BY:	DATE:
DJ	8.1.22
CHECKED BY:	DATE:
CJ	8.1.22

UPPER LEVEL
394'-8"

ENTRY LEVEL
380'-8"



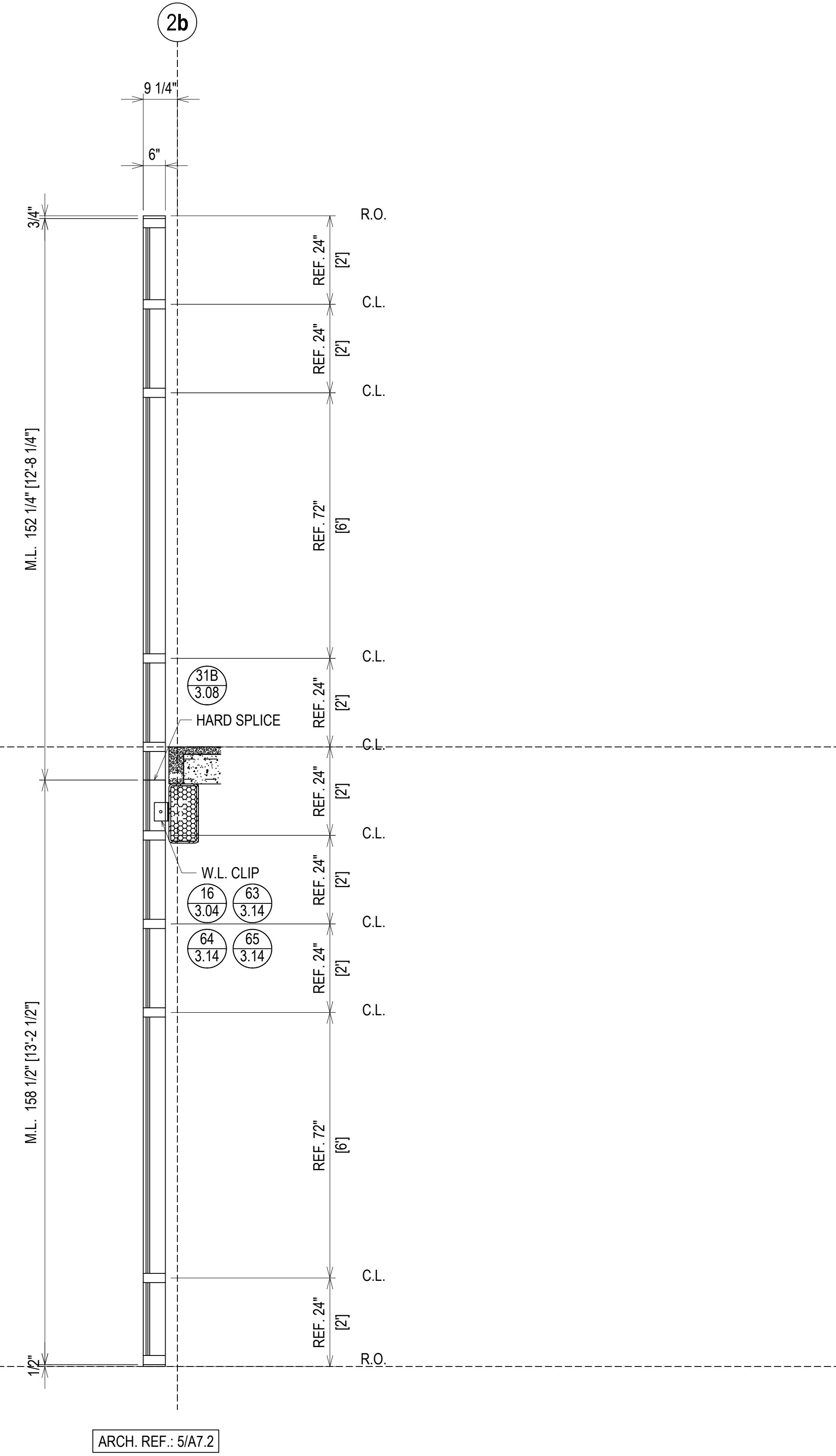
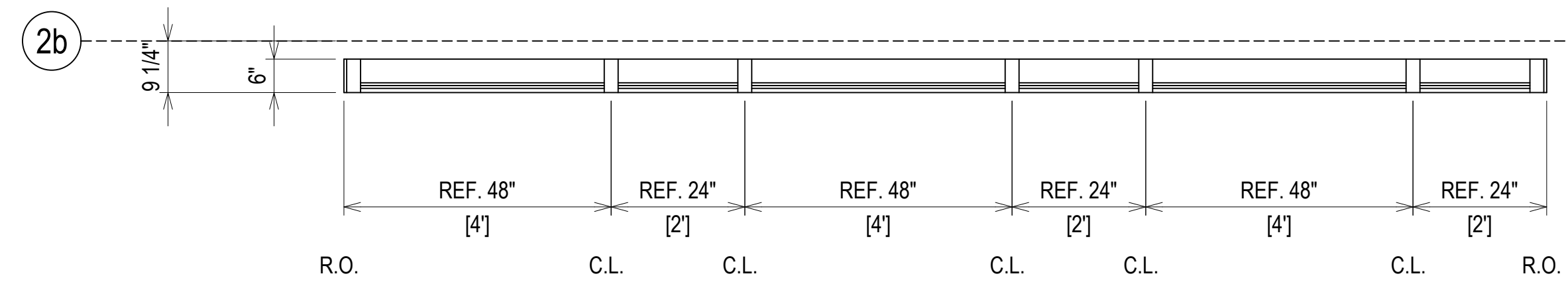
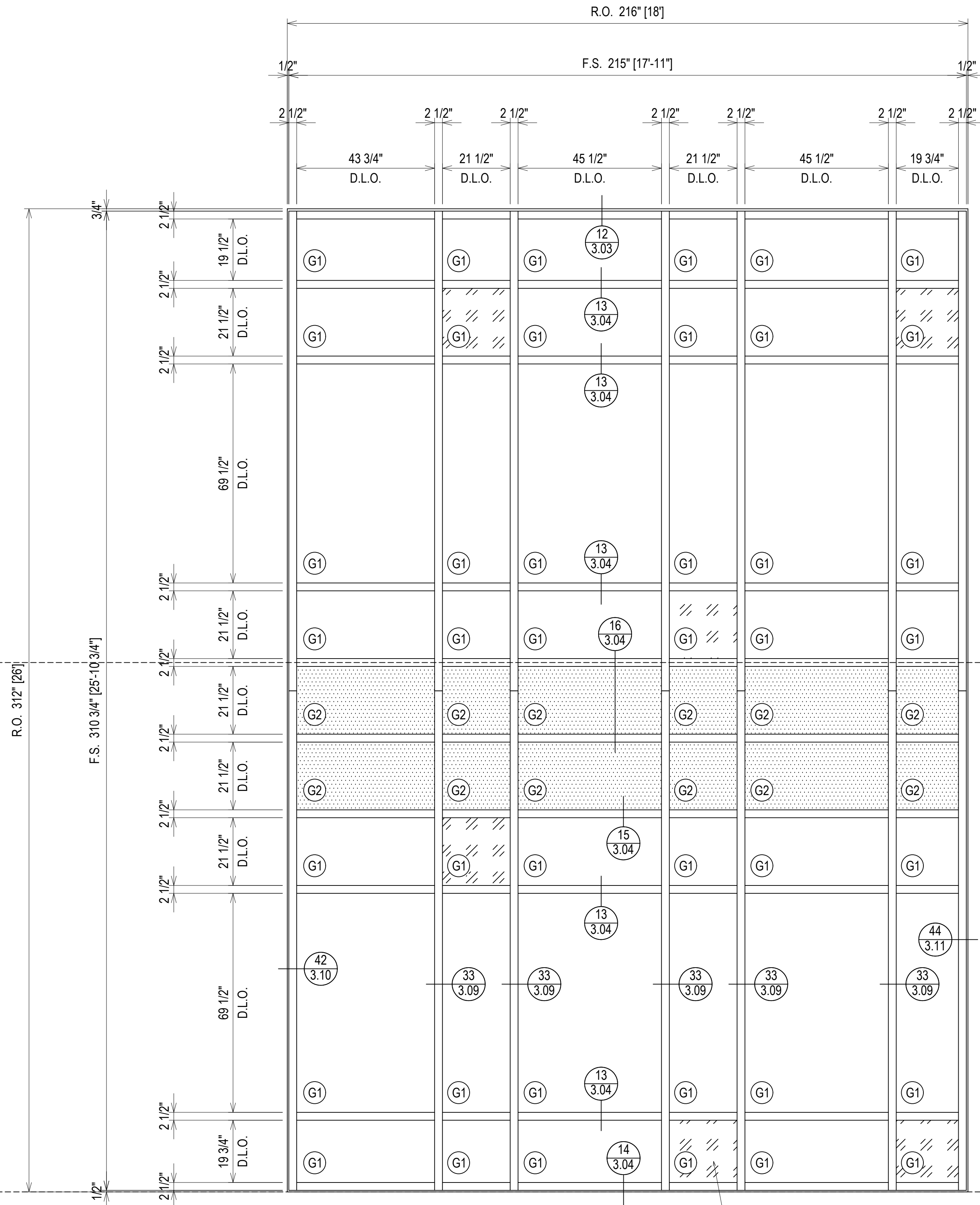
ELEVATION CW4
 SCALE: 1/2" = 1'-0"
 KAWNEER 1600 SYSTEM 1 - 2 1/2" X 6"
 EXTERIOR CURTAIN WALL
 1" INSULATED GLASS (FRONT SET)
 QUANTITY: 1

ERECTOR / G.C. NOTE:
 PLEASE FIELD VERIFY ALL DIMENSIONS

PROJECT: MCSD ELEMENTARY SCHOOL NO. 8	ERECTOR: MUSCOGEE GLASS 6922 JAMESSON WAY MIDLAND, GA 31820 (706)-569-9500
DRAWN BY: DJ	DATE: 8.1.22
CHECKED BY: CJ	DATE: 8.1.22
LOCATION: 180 NORTHSTAR DRIVE COLUMBUS, GA 31907	DESCRIPTION: DRAWING SUBMISSION
1ST SUBMISSION	8.1.22
1ST REVISION	10.12.22
2ND REVISION	12.16.22
NO	DATE

UPPER LEVEL
394' - 8"

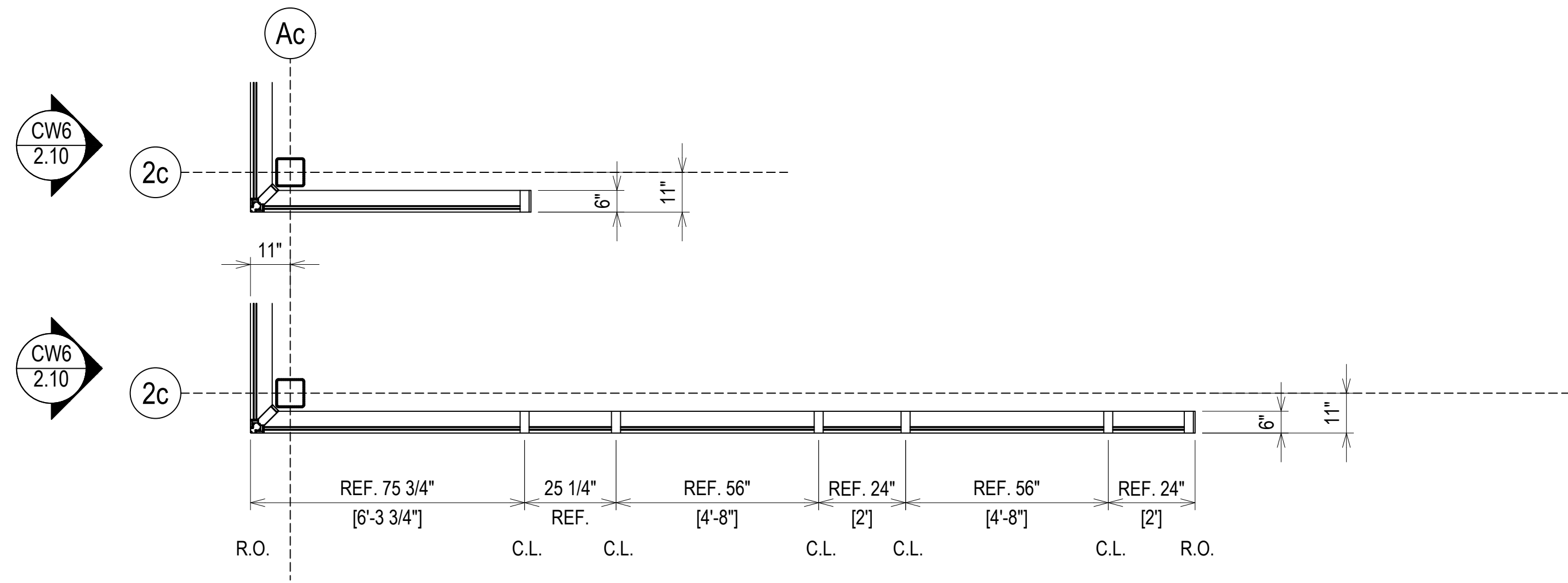
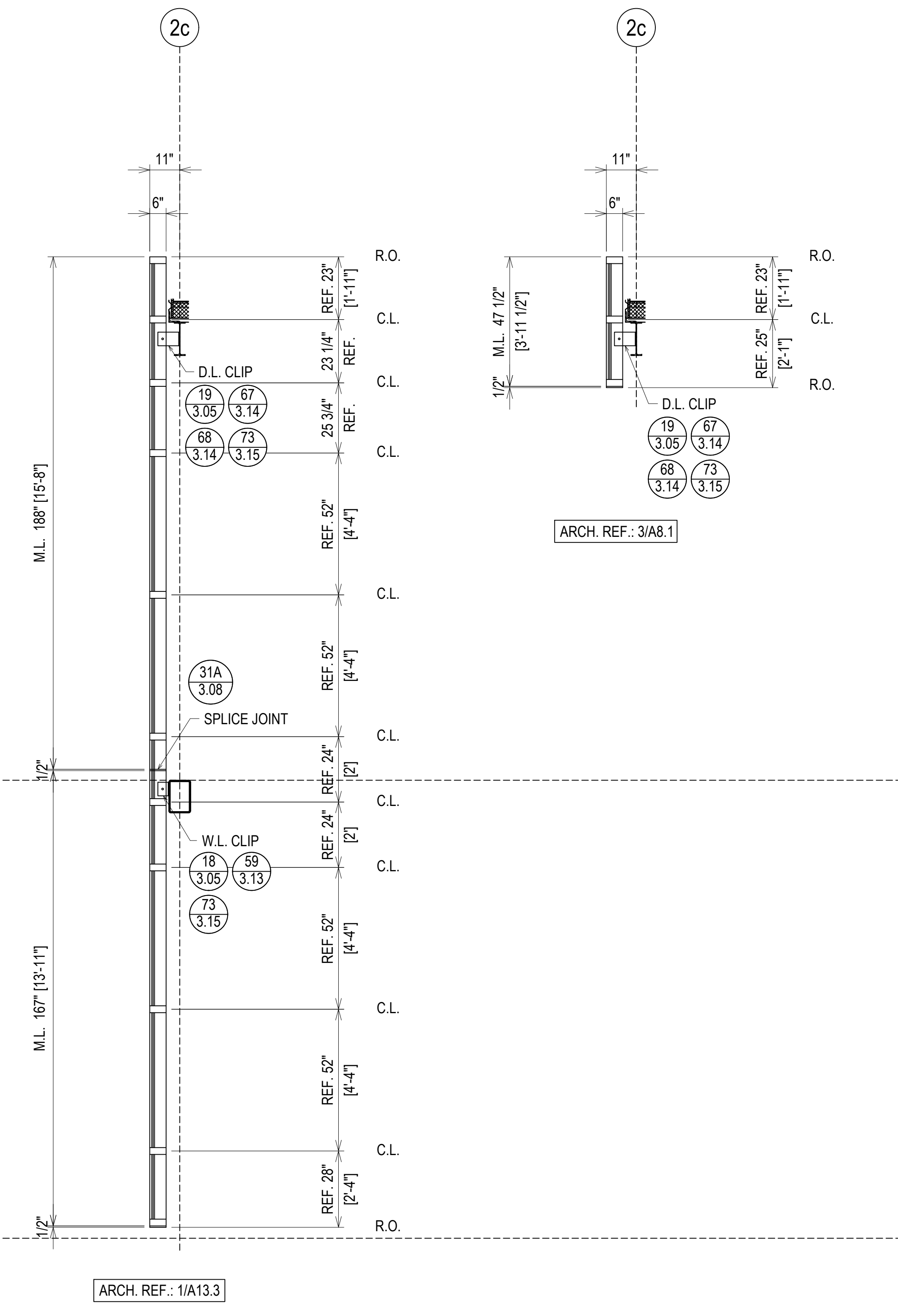
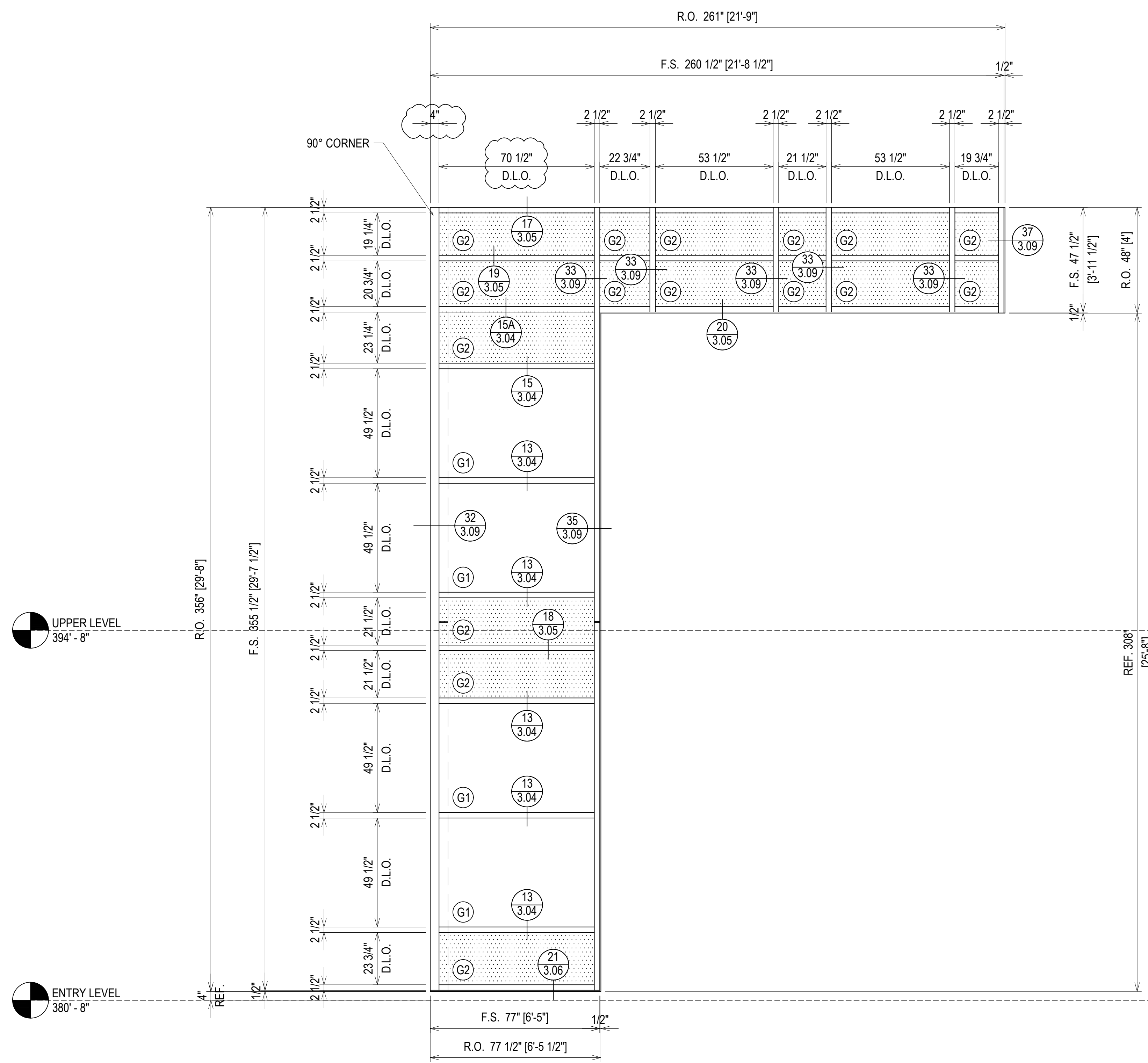
ENTRY LEVEL
380' - 8"



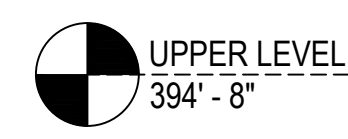
ELEVATION CW4R
 SCALE: 1/2" = 1'-0"
 KAWNEER 1600 SYSTEM 1 - 2 1/2" X 6"
 EXTERIOR CURTAIN WALL
 1" INSULATED GLASS (FRONT SET)
 QUANTITY: 1

ERECTOR / G.C. NOTE:
PLEASE FIELD VERIFY ALL DIMENSIONS

PROJECT: MCSD ELEMENTARY SCHOOL NO. 8		ERECTOR: MUSCOGEE GLASS	
LOCATION: 180 NORTHSTAR DRIVE COLUMBUS, GA 31907		6922 JAMESSON WAY MIDLAND, GA 31820 (706)-569-9500	
DRAWN BY: DJ	DATE: 8.1.22	1ST SUBMISSION	8.1.22
CHECKED BY: CJ	DATE: 8.1.22	1ST REVISION	10.12.22
		2ND REVISION	12.16.22
		DESCRIPTION	DATE
		DRAWING SUBMISSION	



ELEVATION CW5
 SCALE: 3/8" = 1'-0"
 KAWNEER 1600 SYSTEM 1 - 2 1/2" X 6"
 EXTERIOR CURTAIN WALL
 1" INSULATED GLASS (FRONT SET)
 QUANTITY: 1



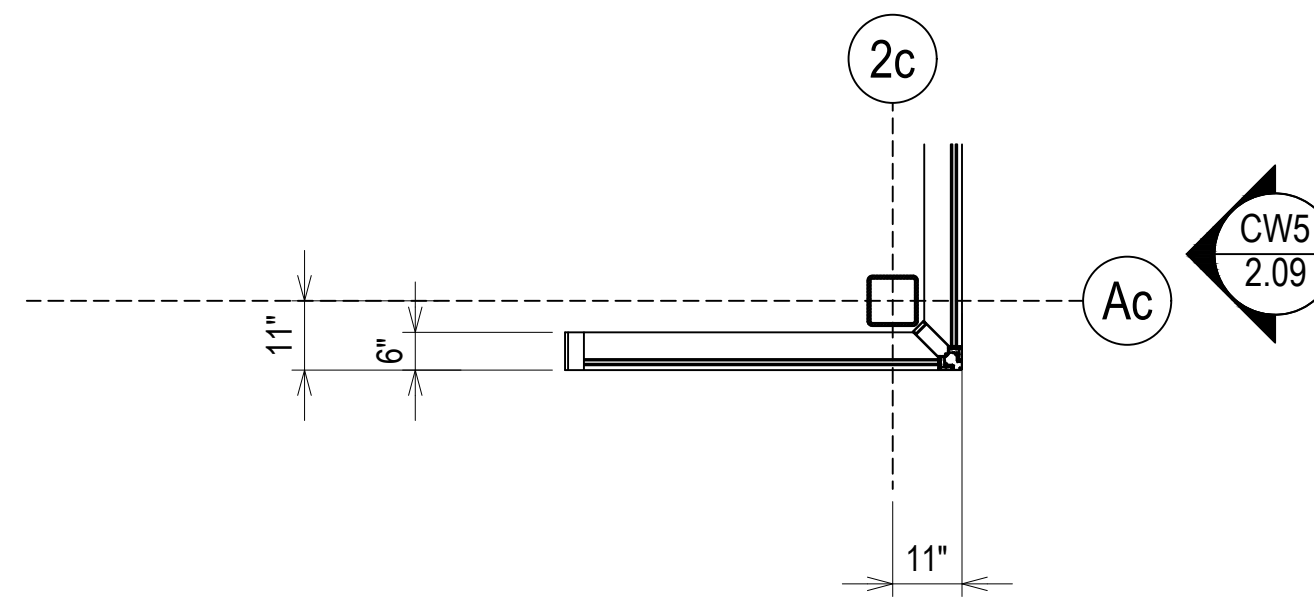
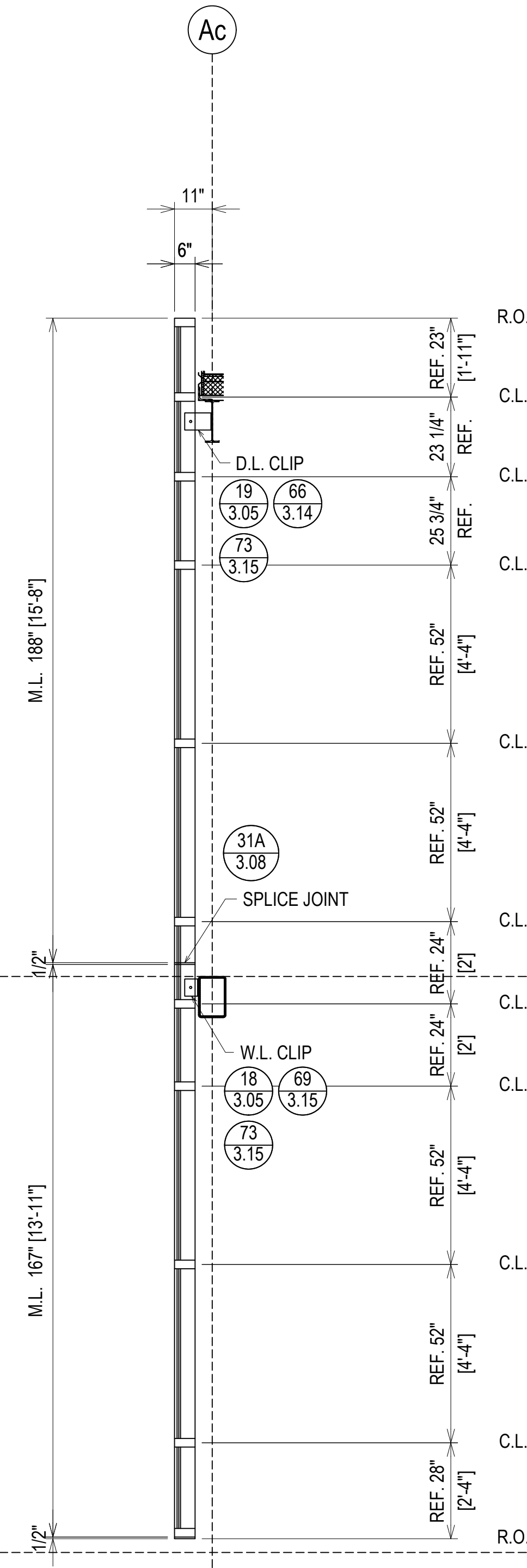
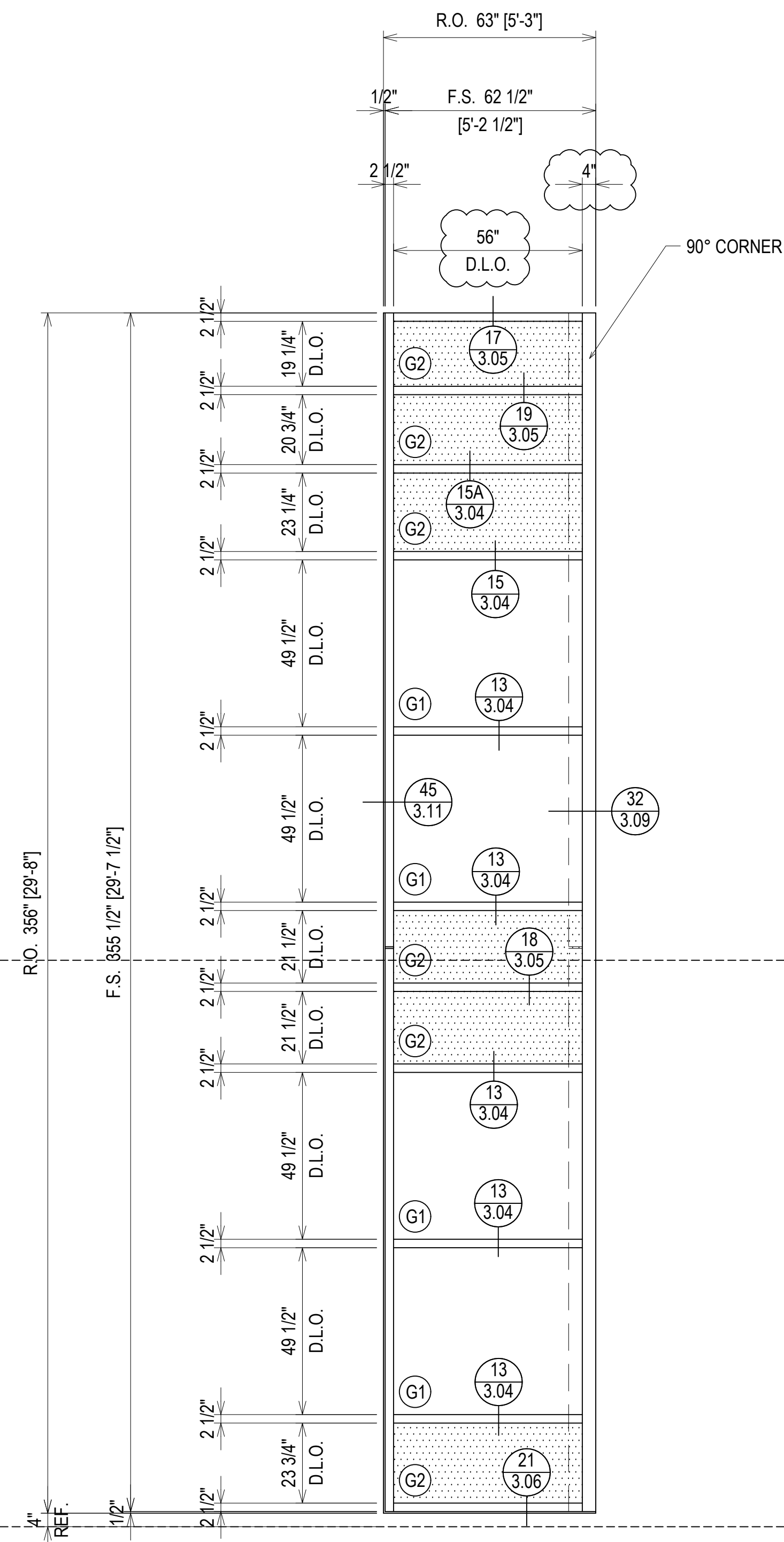
1ST SUBMISSION	8.1.22
1ST REVISION	10.12.22
2ND REVISION	12.16.22
DESCRIPTION	DATE
NO	
DRAWING SUBMISSION	


ERECTOR:
MUSCOGEE GLASS
 6922 JAMESSON WAY
 MIDLAND, GA 31820
 (706)-569-9500

PROJECT: MCSD ELEMENTARY SCHOOL NO. 8
 LOCATION: 180 NORTHSTAR DRIVE
 COLUMBUS, GA 31907

DRAWN BY:	DATE:
DJ	8.1.22
CHECKED BY:	DATE:
CJ	8.1.22

ERECTOR / G.C. NOTE:
 PLEASE FIELD VERIFY ALL DIMENSIONS



ELEVATION 
 SCALE: 3/8" = 1'-0"
 KAWNEER 1600 SYSTEM 1 - 2 1/2" X 6"
 EXTERIOR CURTAIN WALL
 1" INSULATED GLASS (FRONT SET)
 QUANTITY: 1

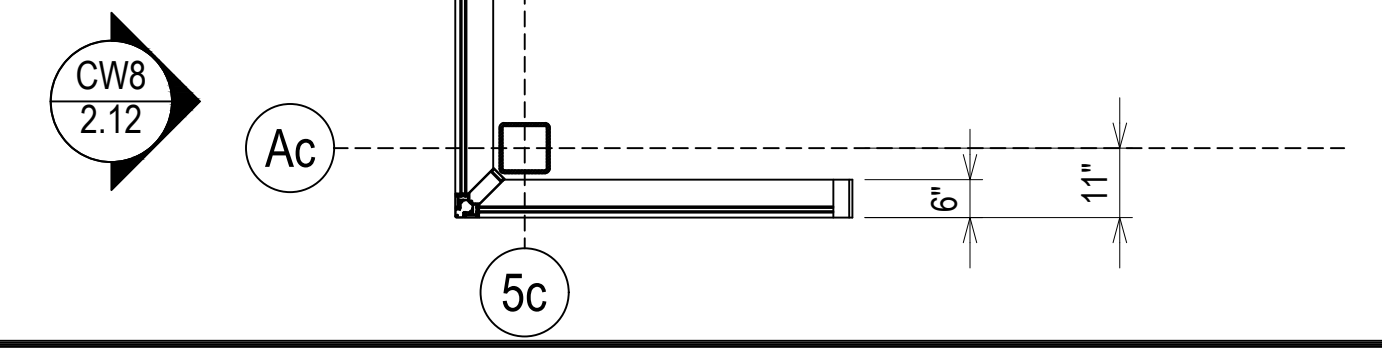
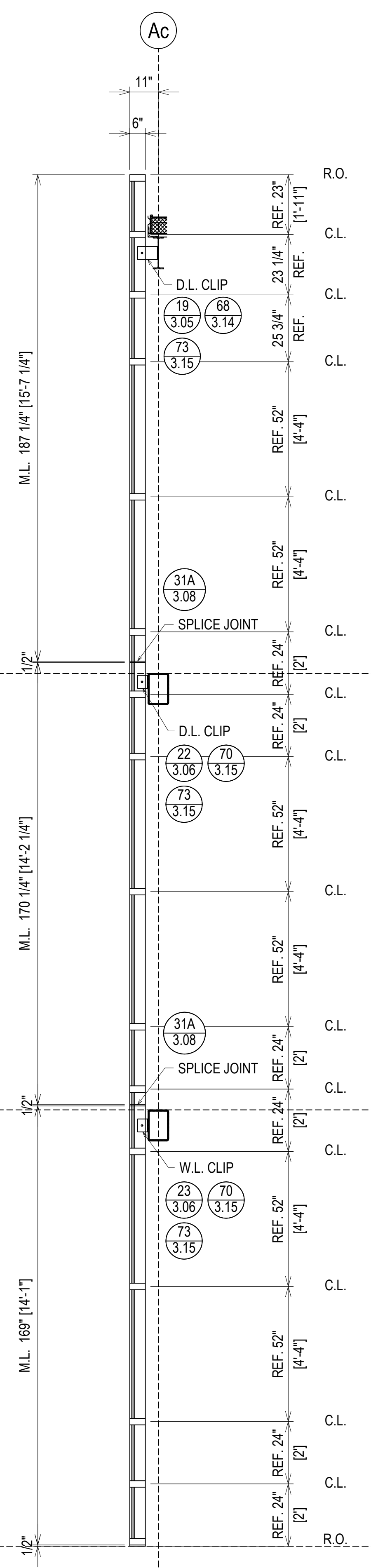
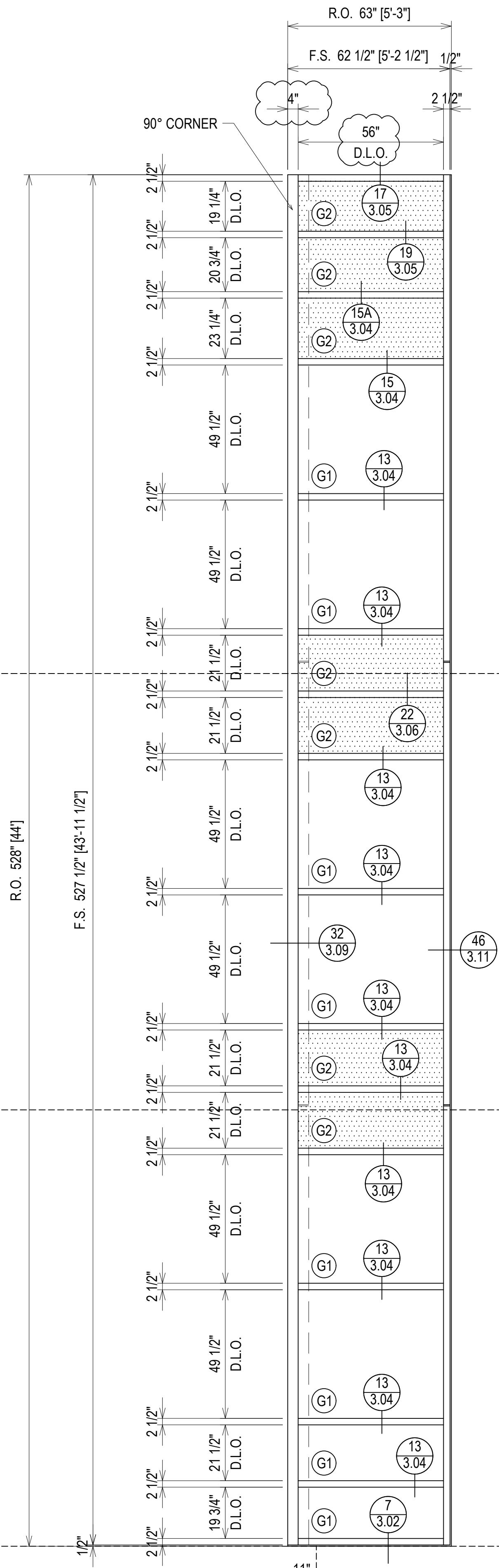
ERECTOR / G.C. NOTE:
 PLEASE FIELD VERIFY ALL DIMENSIONS

PROJECT: MCSD ELEMENTARY SCHOOL NO. 8		ERECTOR: MUSCOGEE GLASS 6922 JAMESSON WAY MIDLAND, GA 31820 (706)-569-9500	
LOCATION: 180 NORTHSTAR DRIVE COLUMBUS, GA 31907	DATE: 8.1.22	1ST SUBMISSION	8.1.22
	DATE: 8.1.22	1ST REVISION	10.12.22
	DATE: 8.1.22	2ND REVISION	12.16.22
	DATE: 8.1.22	NO	NO
	DATE: 8.1.22	DESCRIPTION	DRAWING SUBMISSION
	DATE: 8.1.22		

UPPER LEVEL
394' - 8"

ENTRY LEVEL
380' - 8"

LOWER LEVEL
366' - 8"

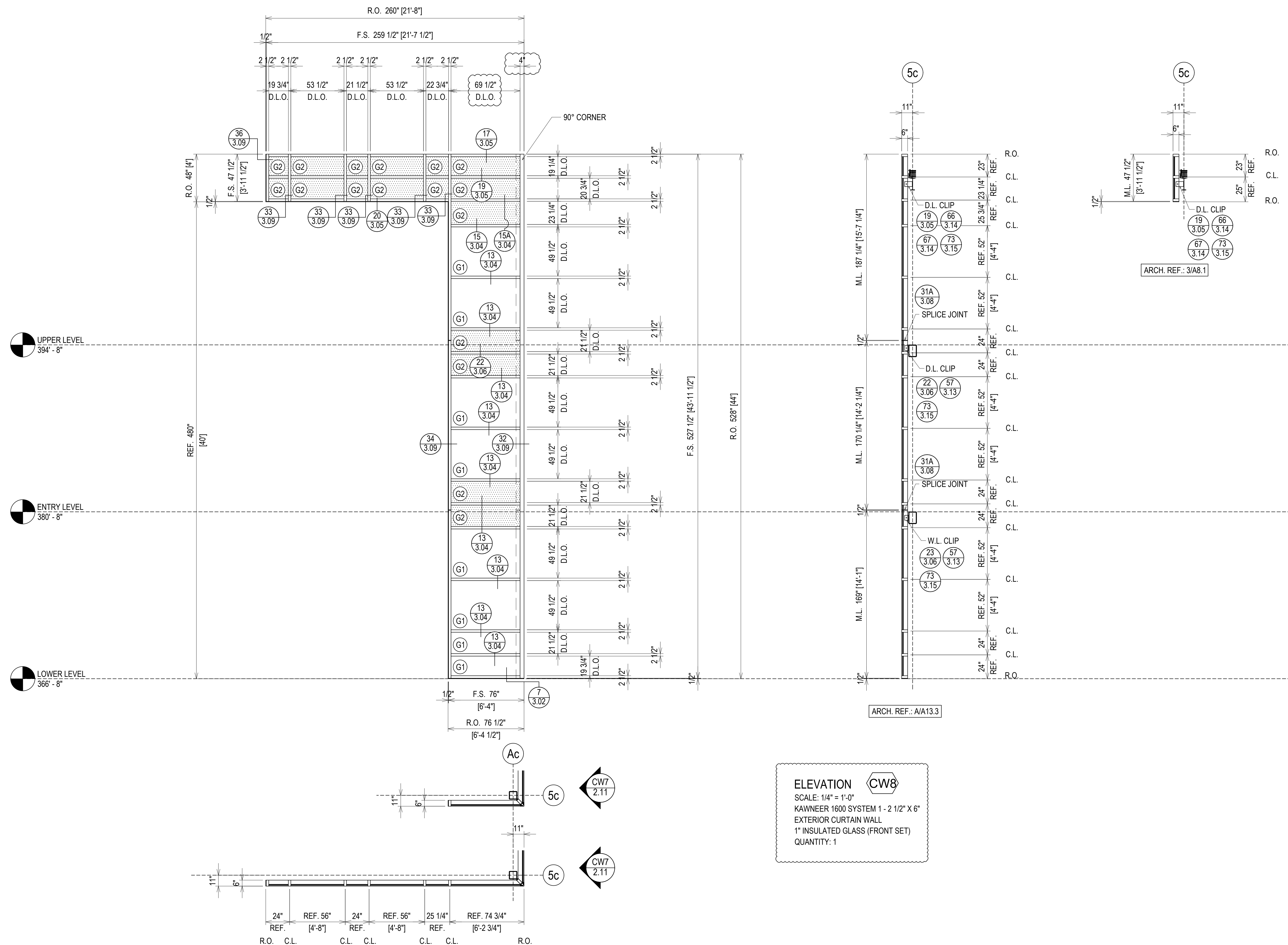


ELEVATION CW7
 SCALE: 3/8" = 1'-0"
 KAWNEER 1600 SYSTEM 1 - 2 1/2" X 6"
 EXTERIOR CURTAIN WALL
 1" INSULATED GLASS (FRONT SET)
 QUANTITY: 1

ERECTOR / G.C. NOTE:
PLEASE FIELD VERIFY ALL DIMENSIONS

PROJECT: MCSD ELEMENTARY SCHOOL NO. 8		ERECTOR: MUSCOGEE GLASS 6922 JAMESSON WAY MIDLAND, GA 31820 (706)-569-9500	
LOCATION: 180 NORTHSTAR DRIVE COLUMBUS, GA 31907	DATE: 8.1.22	1ST SUBMISSION	8.1.22
	DATE: 8.1.22	1ST REVISION	10.12.22
		2ND REVISION	12.16.22
		NO	DATE
		DESCRIPTION DRAWING SUBMISSION	

2.11



ELEVATION CW8
 SCALE: 1/4" = 1'-0"
 KAWNEER 1600 SYSTEM 1 - 2 1/2" X 6"
 EXTERIOR CURTAIN WALL
 1" INSULATED GLASS (FRONT SET)
 QUANTITY: 1

PROJECT:	MCS D ELEMENTARY SCHOOL NO. 8	ERECTOR:	MUSCOGEE GLASS 6922 JAMESON WAY MIDLAND, GA 31820 (706)-569-9500
LOCATION:	180 NORTHSTAR DRIVE COLUMBUS, GA 31907	1ST SUBMISSION	8.1.22
		1ST REVISION	10.12.22
		2ND REVISION	12.16.22
DRAWN BY:	DJ	DATE:	8.1.22
CHECKED BY:	CJ	DATE:	8.1.22
		DESCRIPTION	DRAWING SUBMISSION
		NO	DATE

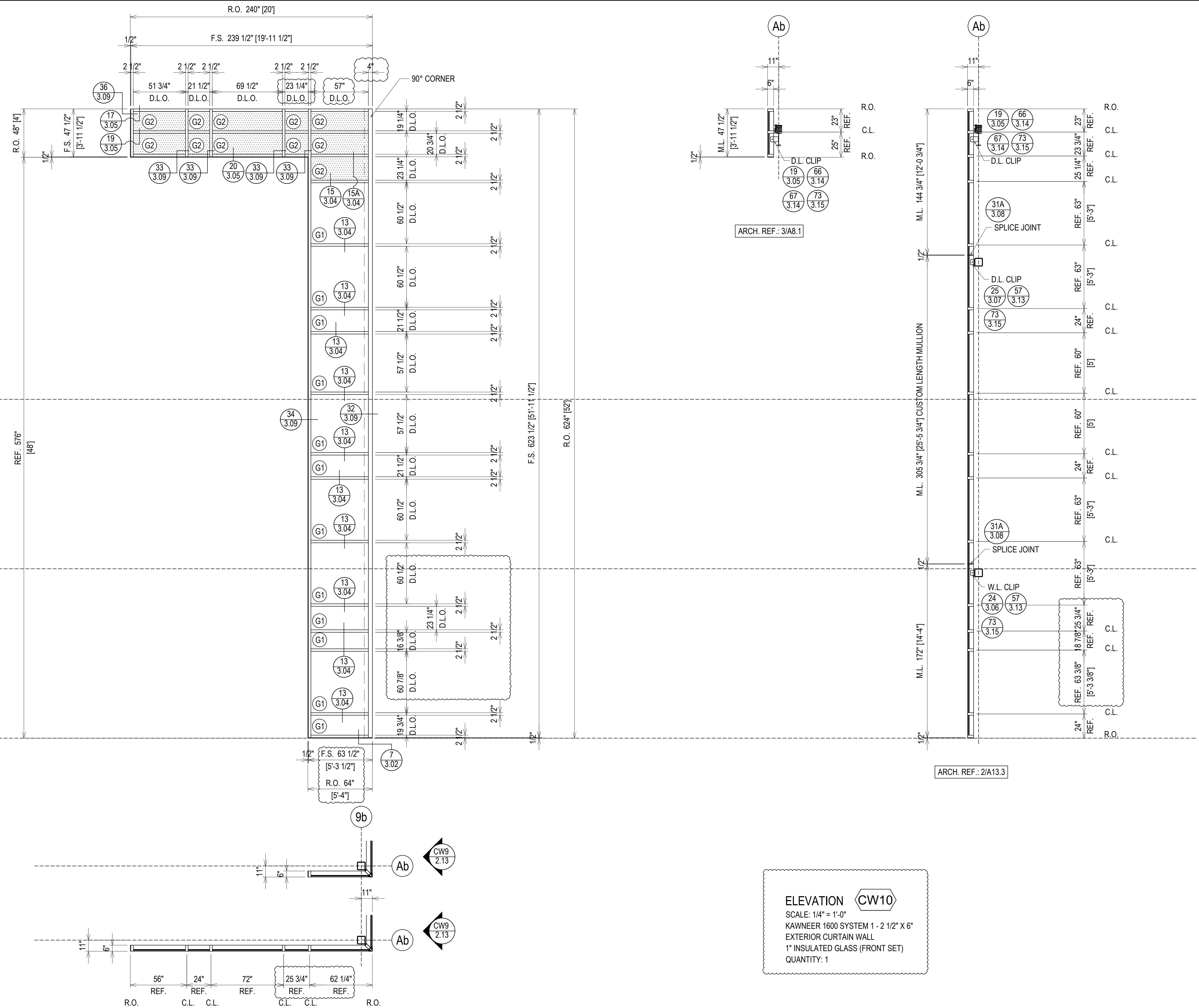
ERECTOR / G.C. NOTE:
 PLEASE FIELD VERIFY ALL DIMENSIONS

2.12

UPPER LEVEL
394' - 8"

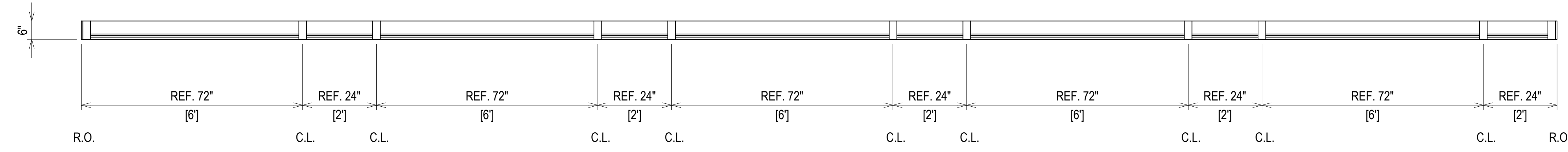
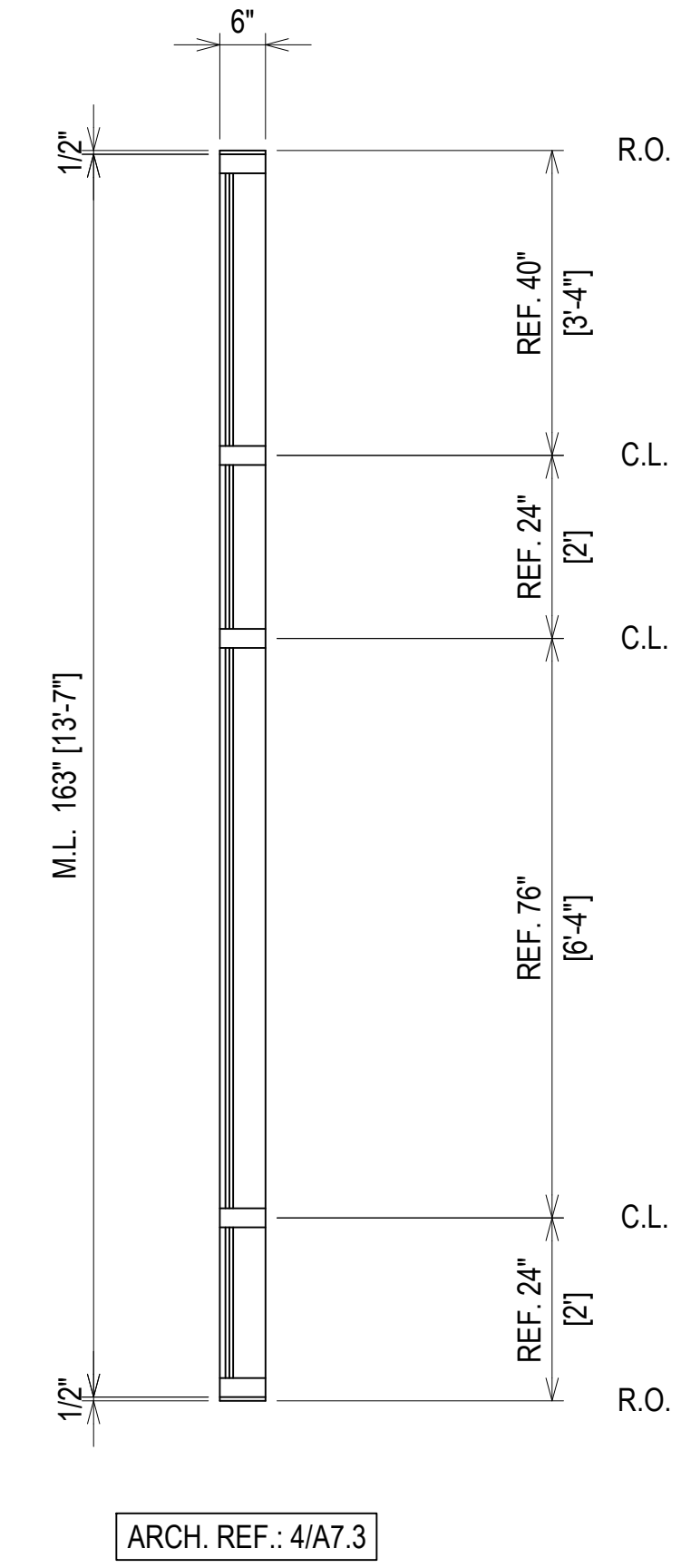
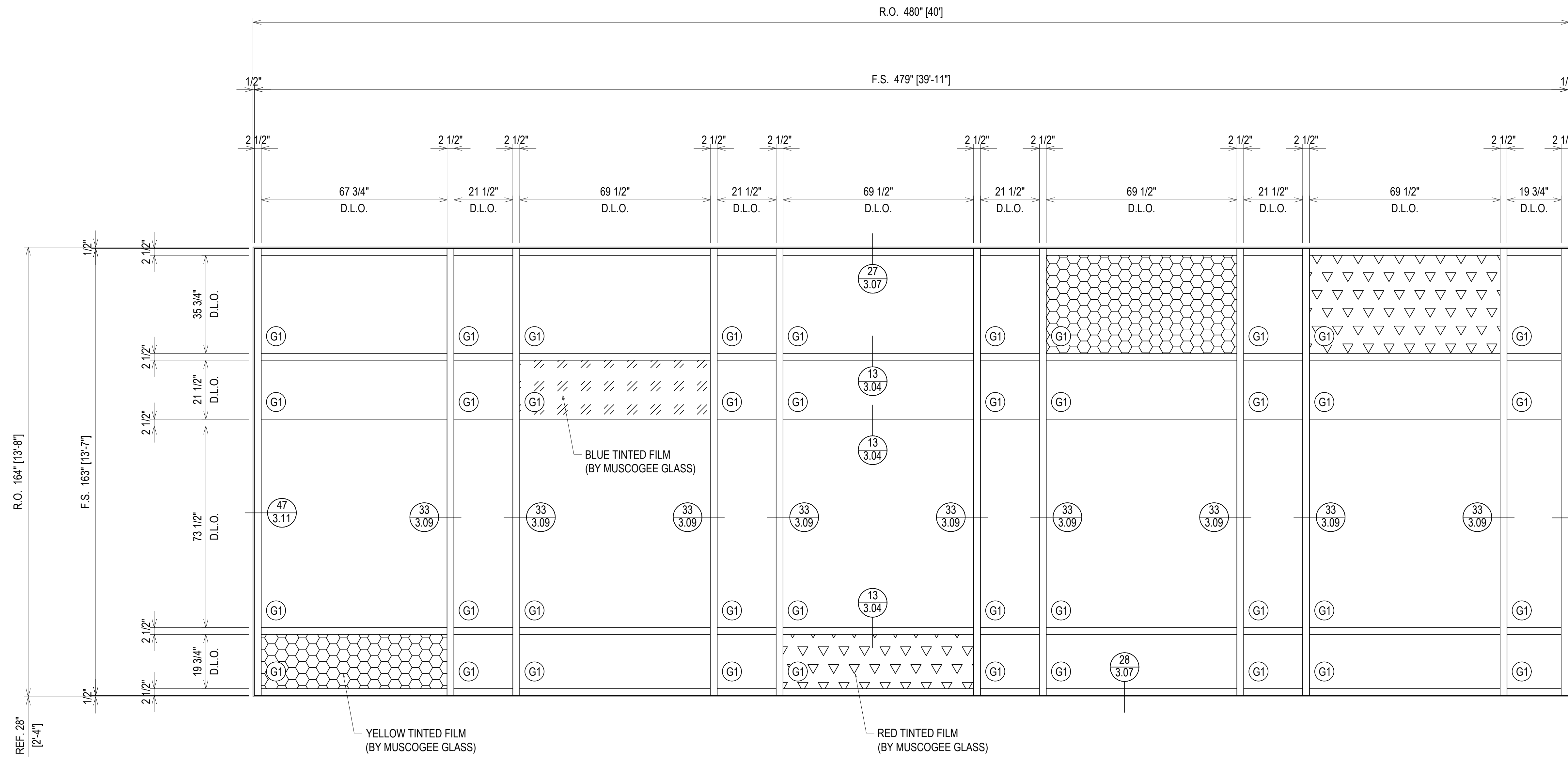
ENTRY LEVEL
380' - 8"

ENTRY LEVEL
366' - 8"

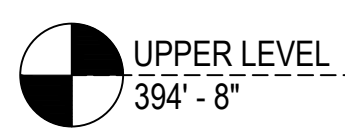


ELEVATION CW10
 SCALE: 1/4" = 1'-0"
 KAWNEER 1600 SYSTEM 1 - 2 1/2" X 6"
 EXTERIOR CURTAIN WALL
 1" INSULATED GLASS (FRONT SET)
 QUANTITY: 1

PROJECT: MCSD ELEMENTARY SCHOOL NO. 8		ERECTOR: MUSCOGEE GLASS 6922 JAMESSON WAY MIDLAND, GA 31820 (706)-569-9500	
1ST SUBMISSION	8.1.22	1ST REVISION	10.12.22
		2ND REVISION	12.16.22
NO		DESCRIPTION	DATE
		DRAWING SUBMISSION	
DRAWN BY: DJ		DATE: 8.1.22	
CHECKED BY: CJ		DATE: 8.1.22	
LOCATION: 180 NORTHSTAR DRIVE COLUMBUS, GA 31907			



ELEVATION CW11
 SCALE: 1/2" = 1'-0"
 KAWNEER 1600 SYSTEM 1 - 2 1/2" X 6"
 EXTERIOR CURTAIN WALL
 1" INSULATED GLASS (FRONT SET)
 QUANTITY: 1



1ST SUBMISSION	8.1.22
1ST REVISION	10.12.22
2ND REVISION	12.16.22
DESCRIPTION	DATE
NO	

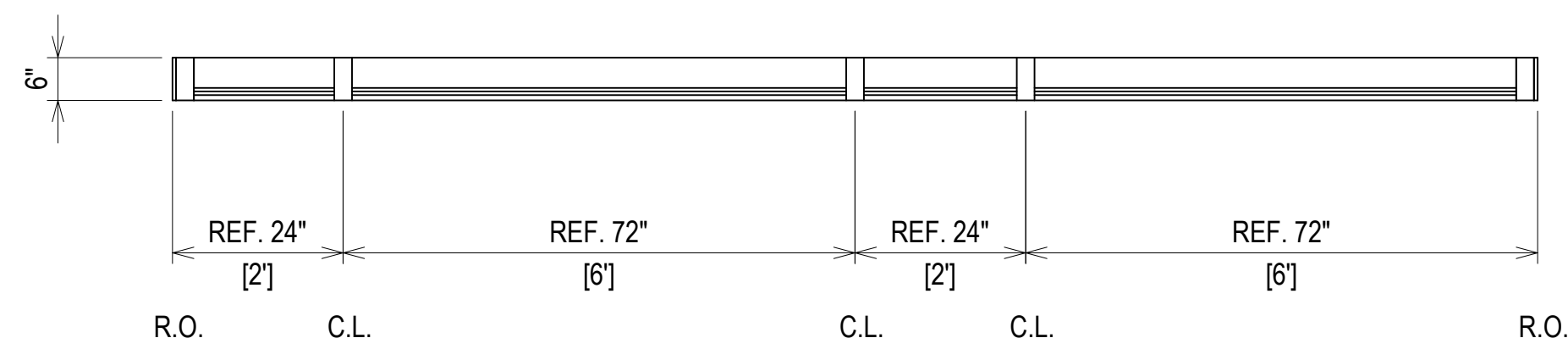
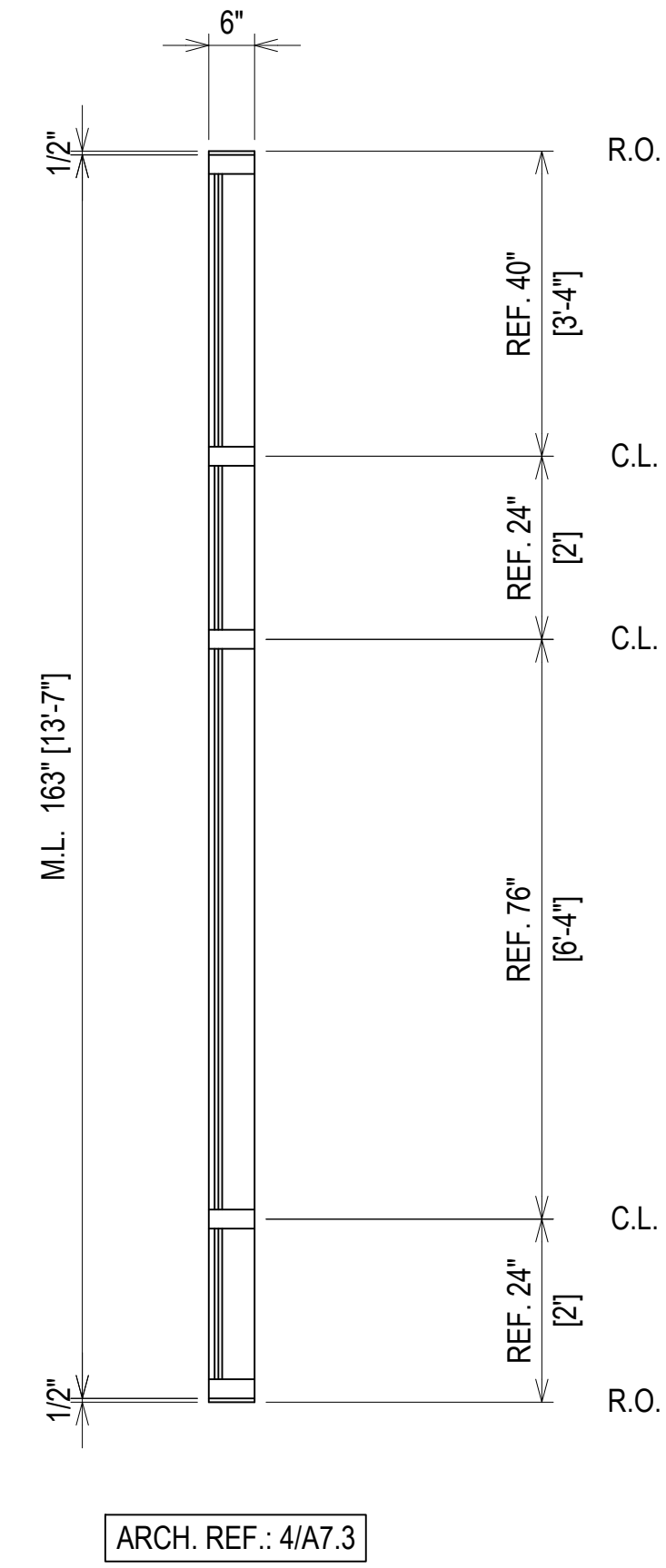
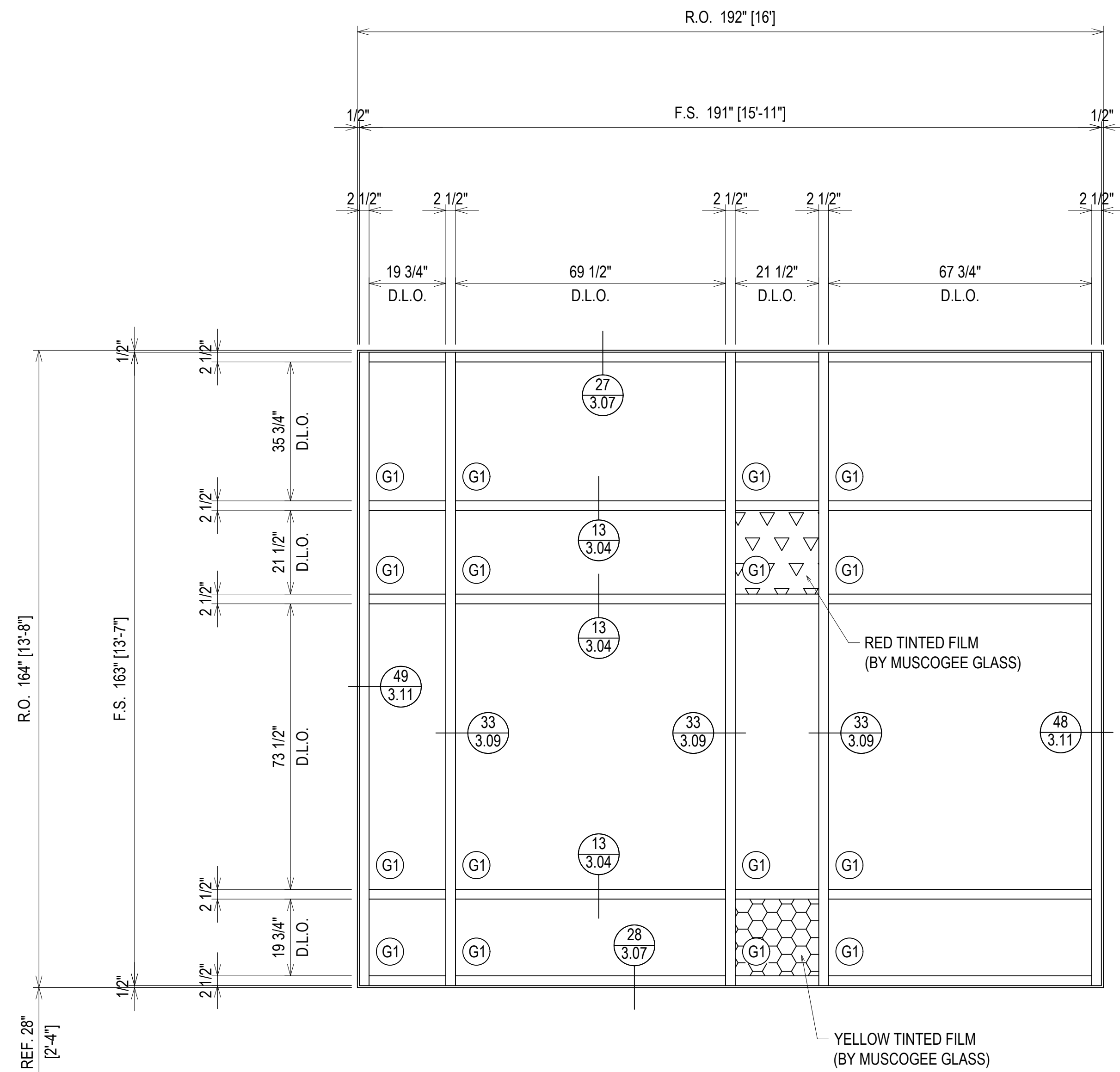
ERECTOR:
MUSCOGEE GLASS
 6922 JAMESON WAY
 MIDLAND, GA 31820
 (706)-569-9500

PROJECT: MCSD ELEMENTARY SCHOOL NO. 8
 LOCATION: 180 NORTHSTAR DRIVE
 COLUMBUS, GA 31907

DRAWN BY:	DATE:
DJ	8.1.22
CHECKED BY:	DATE:
CJ	8.1.22

ERECTOR / G.C. NOTE:
 PLEASE FIELD VERIFY ALL DIMENSIONS

UPPER LEVEL
394'-8"

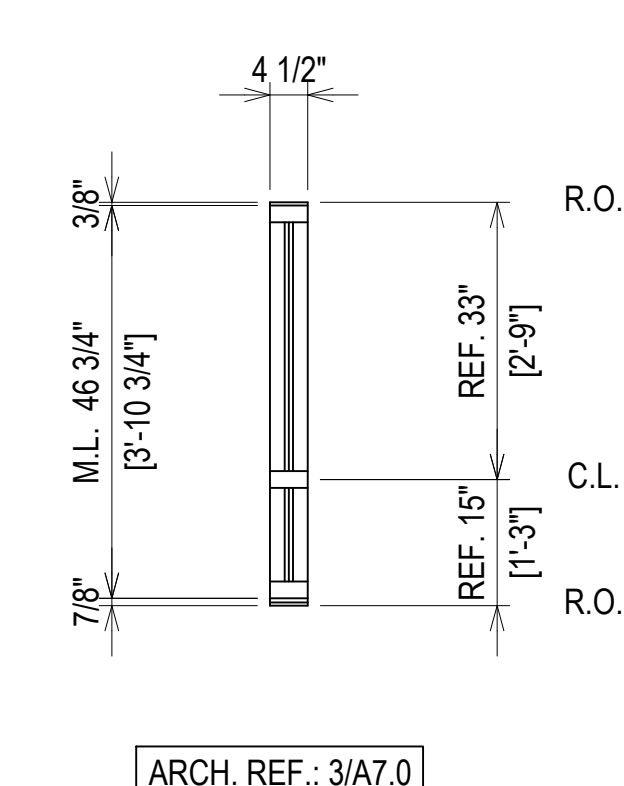
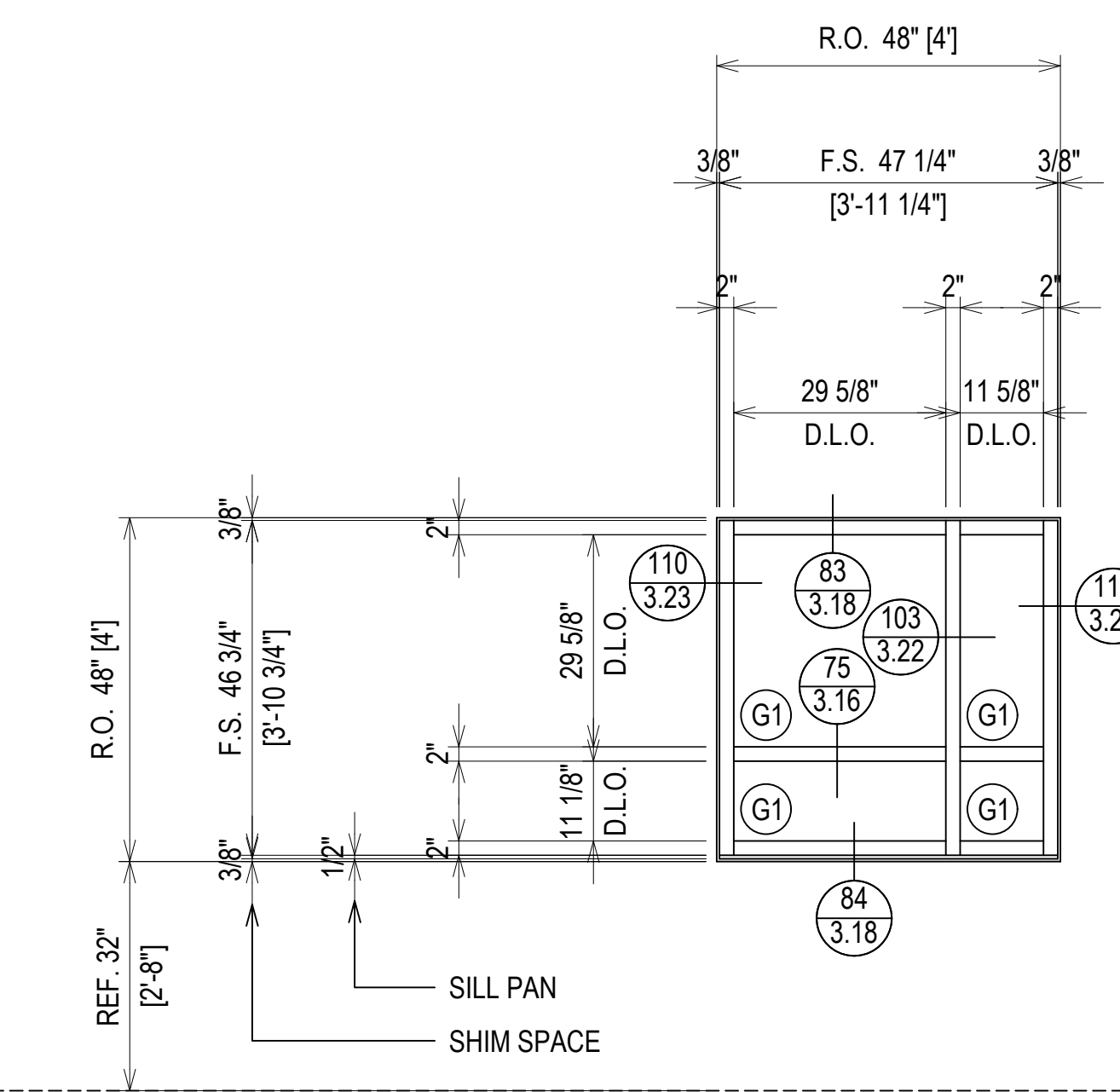
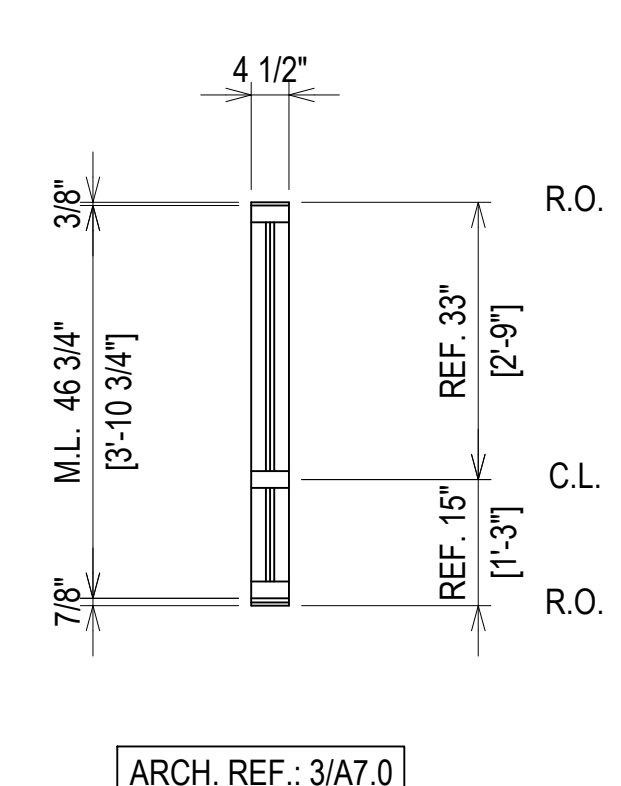
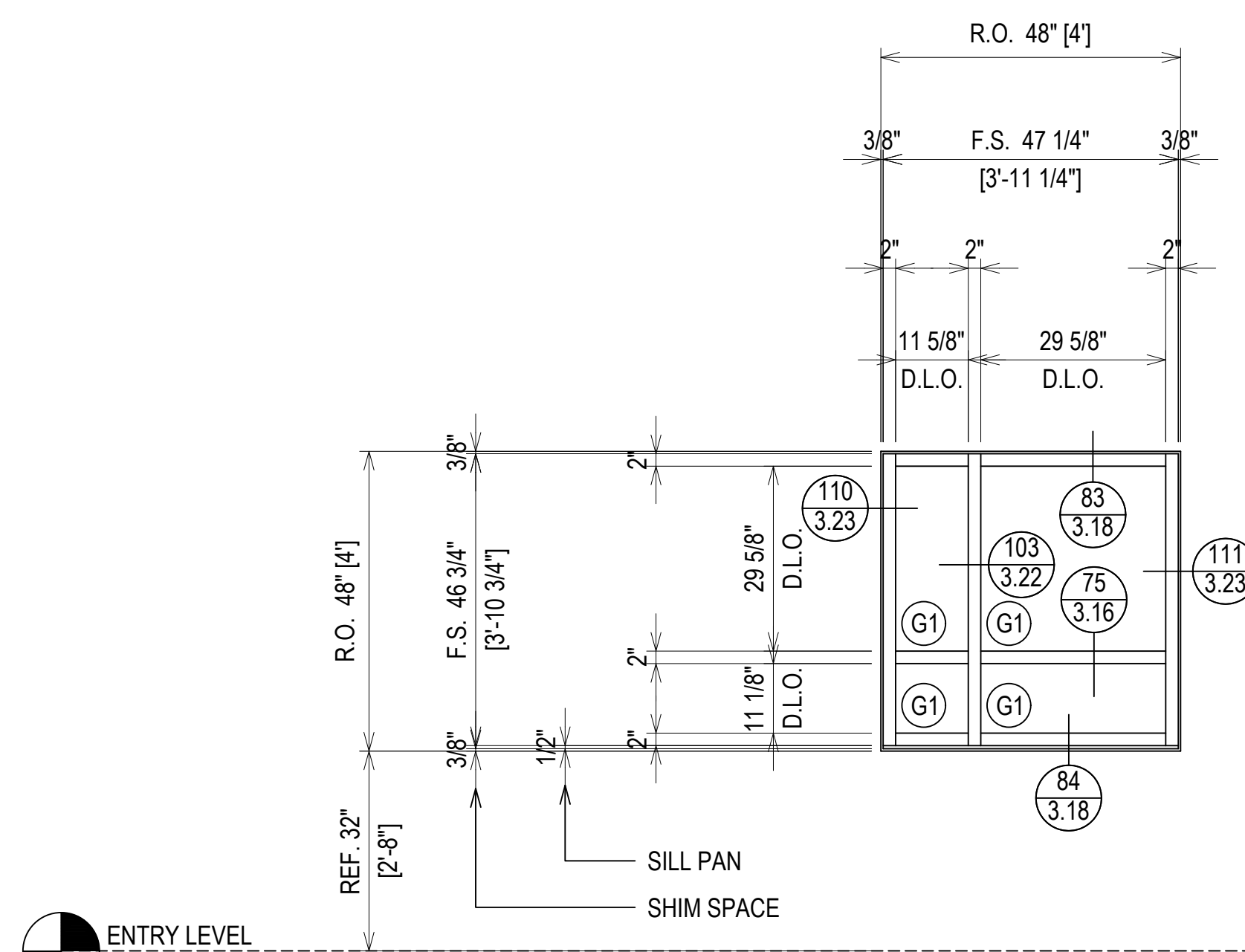


ELEVATION CW12
SCALE: 1/2" = 1'-0"
KAWNEER 1600 SYSTEM 1 - 2 1/2" X 6"
EXTERIOR CURTAIN WALL
1" INSULATED GLASS (FRONT SET)
QUANTITY: 1

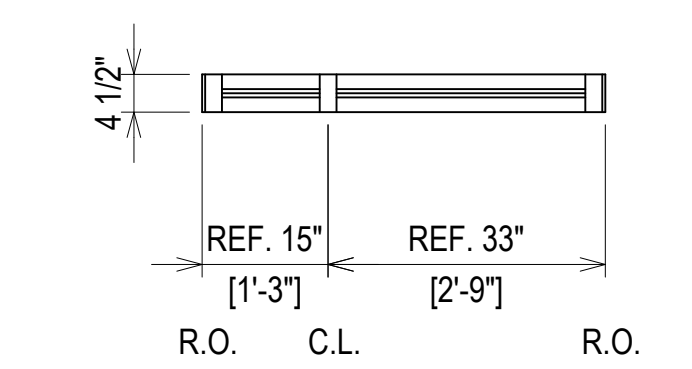
ERECTOR / G.C. NOTE:
PLEASE FIELD VERIFY ALL DIMENSIONS

PROJECT: MCSD ELEMENTARY SCHOOL NO. 8		ERECTOR:	8.1.22
LOCATION: 180 NORTHSTAR DRIVE COLUMBUS, GA 31907		MUSCOGEE GLASS 6922 JAMESSON WAY MIDLAND, GA 31820 (706)-569-9500	10.12.22
DRAWN BY: DJ	DATE: 8.1.22	1ST SUBMISSION	8.1.22
CHECKED BY: CJ	DATE: 8.1.22	1ST REVISION	10.12.22
		2ND REVISION	12.16.22
		NO	NO
		DESCRIPTION	DATE
		DRAWING SUBMISSION	

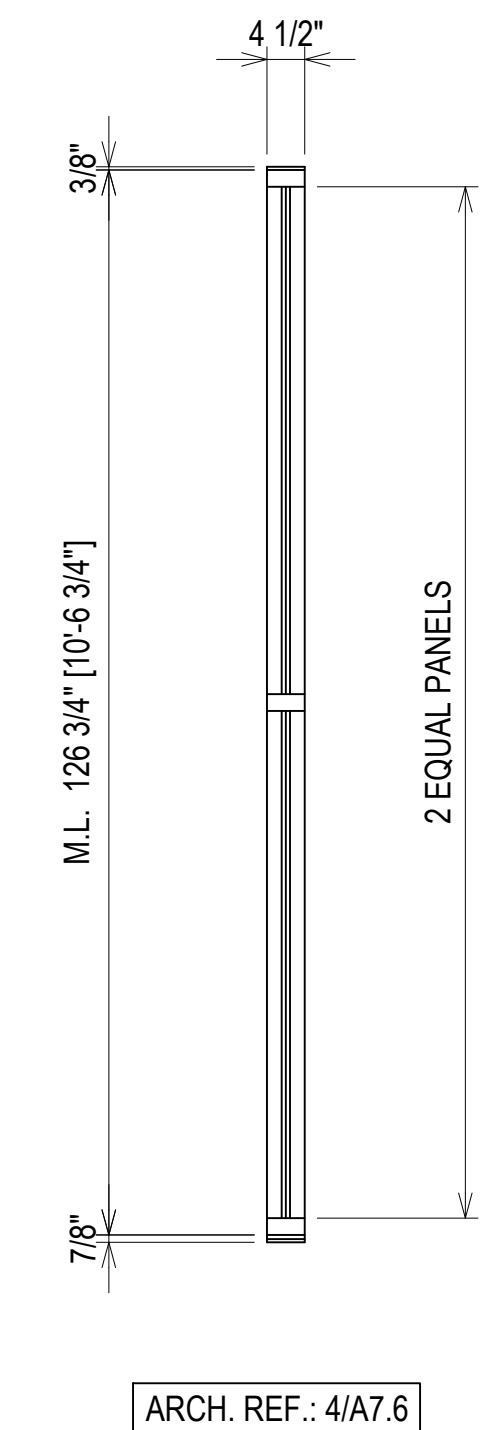
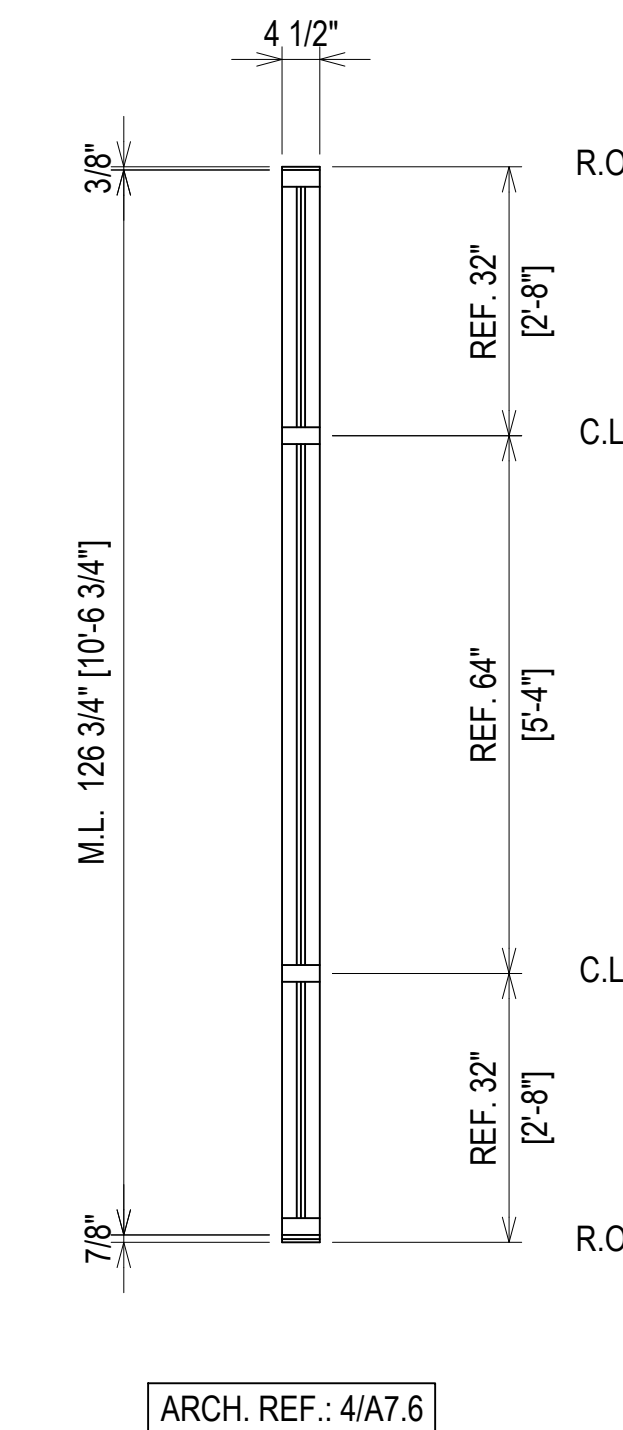
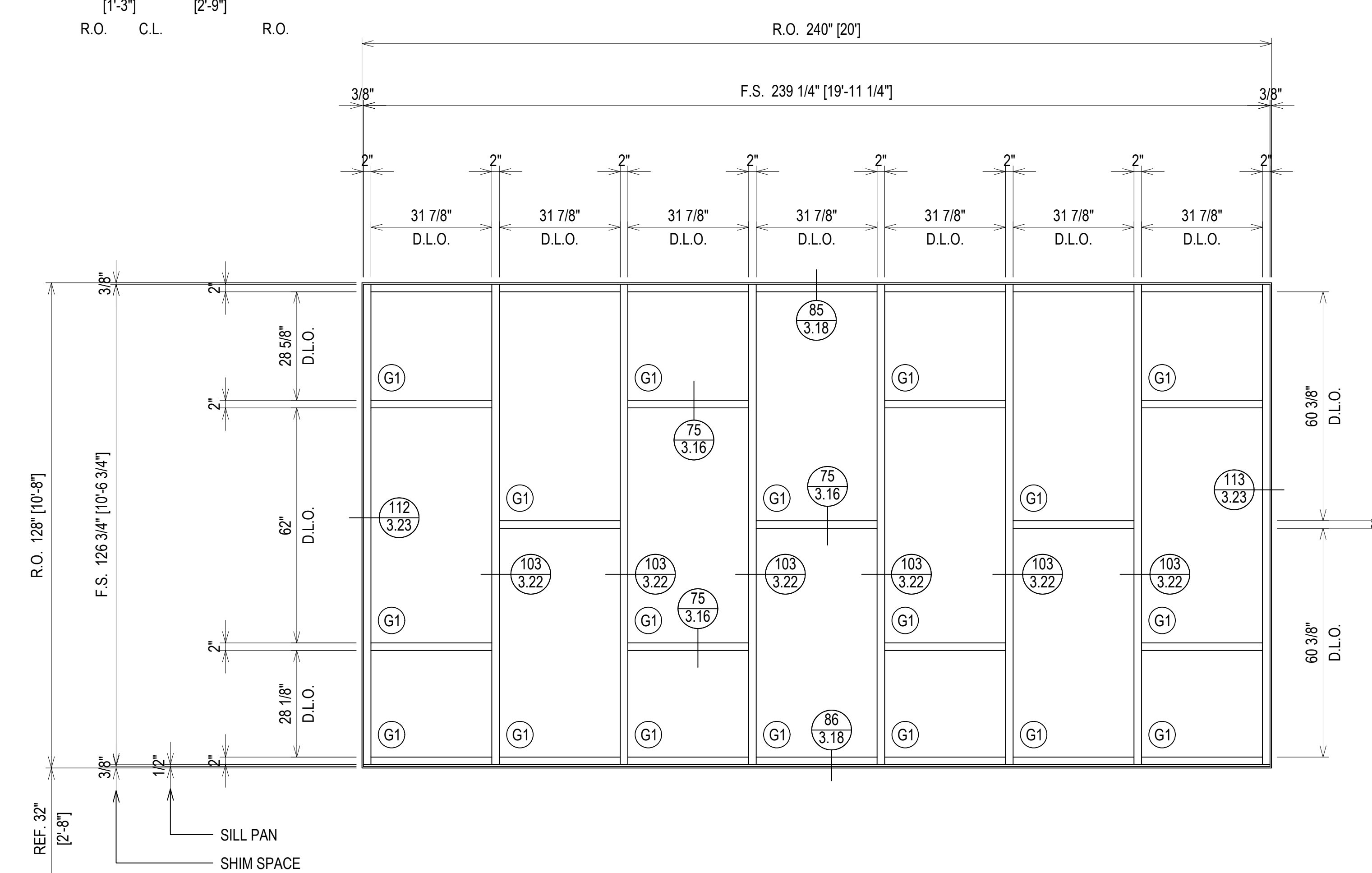
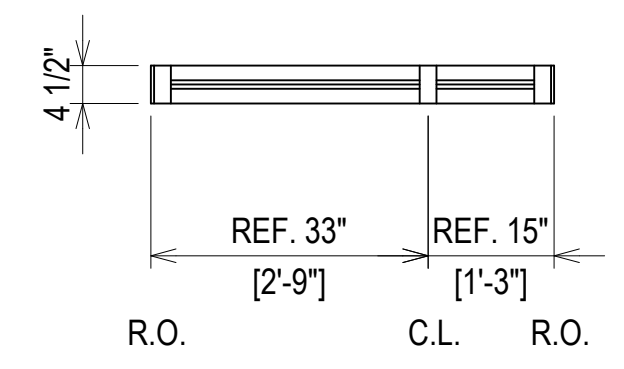
PROJECT:	MCS D ELEMENTARY SCHOOL NO. 8	ERECTOR:	MUSCOGEE GLASS
LOCATION:	180 NORTHSTAR DRIVE COLUMBUS, GA 31907	ADDRESS:	6922 JAMESSON WAY MIDLAND, GA 31820 (706)-569-9500
DRAWN BY:	DJ	DATE:	8.1.22
CHECKED BY:	CJ	DATE:	8.1.22
1ST SUBMISSION	8.1.22	DESCRIPTION	DRAWING SUBMISSION
1ST REVISION	10.12.22		
2ND REVISION	12.16.22		
NO			



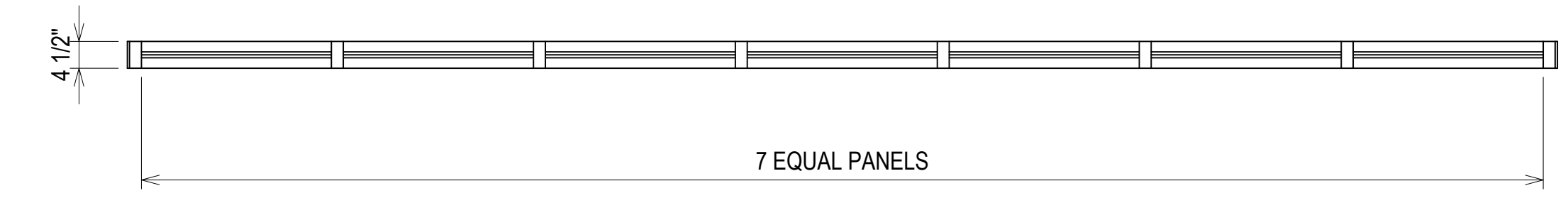
ELEVATION D
SCALE: 1/2" = 1'-0"
KAWNEER TRIFAB 451T - 2" X 4 1/2"
EXTERIOR STOREFRONT
1" INSULATED GLASS (CENTER SET)
QUANTITY: 20



ELEVATION D1
SCALE: 1/2" = 1'-0"
KAWNEER TRIFAB 451T - 2" X 4 1/2"
EXTERIOR STOREFRONT
1" INSULATED GLASS (CENTER SET)
QUANTITY: 1



LOWER LEVEL
366'-8"



ELEVATION DD
SCALE: 1/2" = 1'-0"
KAWNEER TRIFAB 451T - 2" X 4 1/2"
EXTERIOR STOREFRONT
1" INSULATED GLASS (CENTER SET)
QUANTITY: 2

ERECTOR / G.C. NOTE:
PLEASE FIELD VERIFY ALL DIMENSIONS



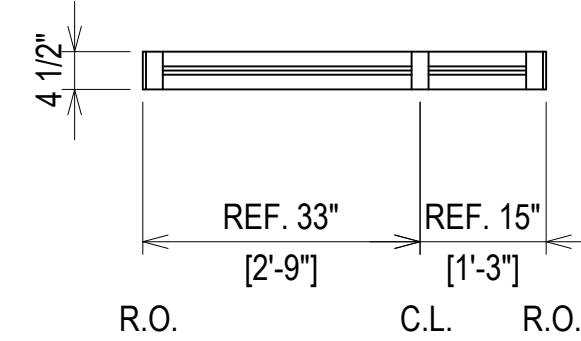
UPPER LEVEL
394' - 8"



ENTRY LEVEL
380' - 8"

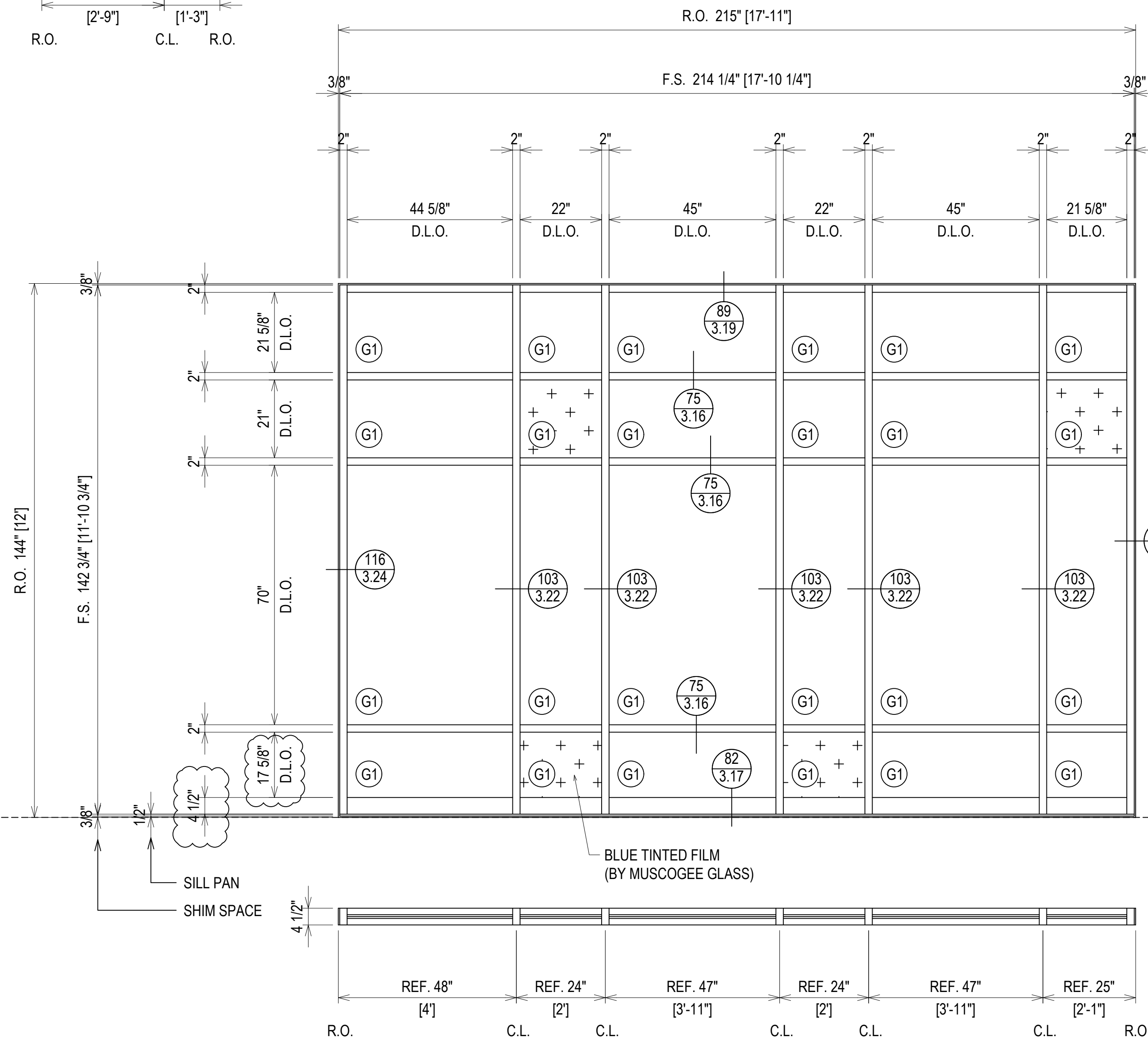
ELEVATION DR

SCALE: 1/2" = 1'-0"
KAWNEER TRIFAB 451T - 2" X 4 1/2"
EXTERIOR STOREFRONT
1" INSULATED GLASS (CENTER SET)
QUANTITY: 18



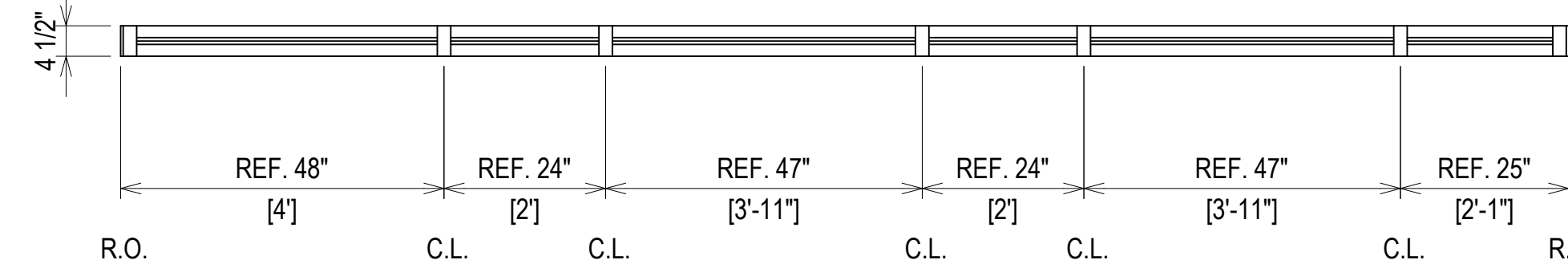
ELEVATION E

SCALE: 1/2" = 1'-0"
KAWNEER TRIFAB 451T - 2" X 4 1/2"
EXTERIOR STOREFRONT
1" INSULATED GLASS (CENTER SET)
QUANTITY: 18



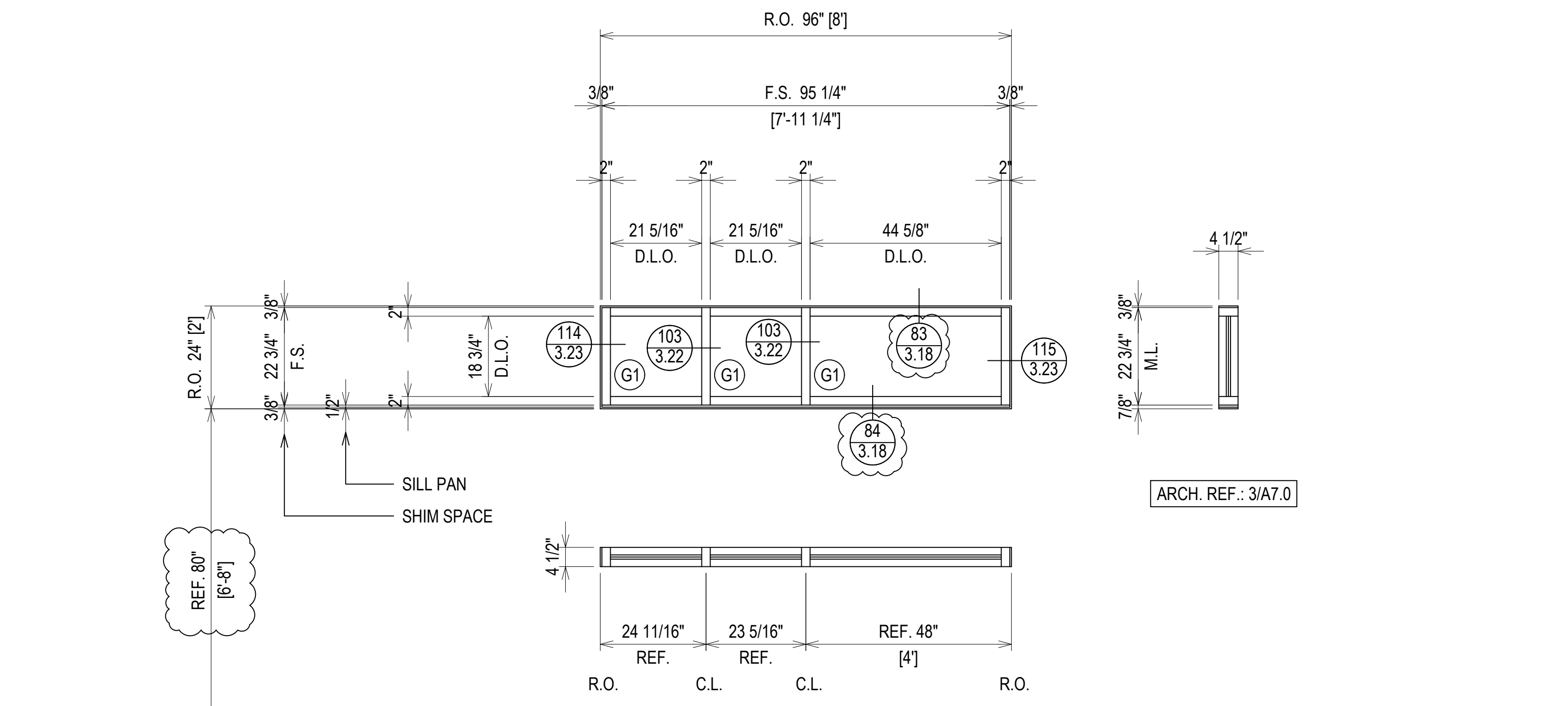
ELEVATION EE

SCALE: 1/2" = 1'-0"
KAWNEER TRIFAB 451T - 2" X 4 1/2"
EXTERIOR STOREFRONT
1" INSULATED GLASS (CENTER SET)
QUANTITY: 1



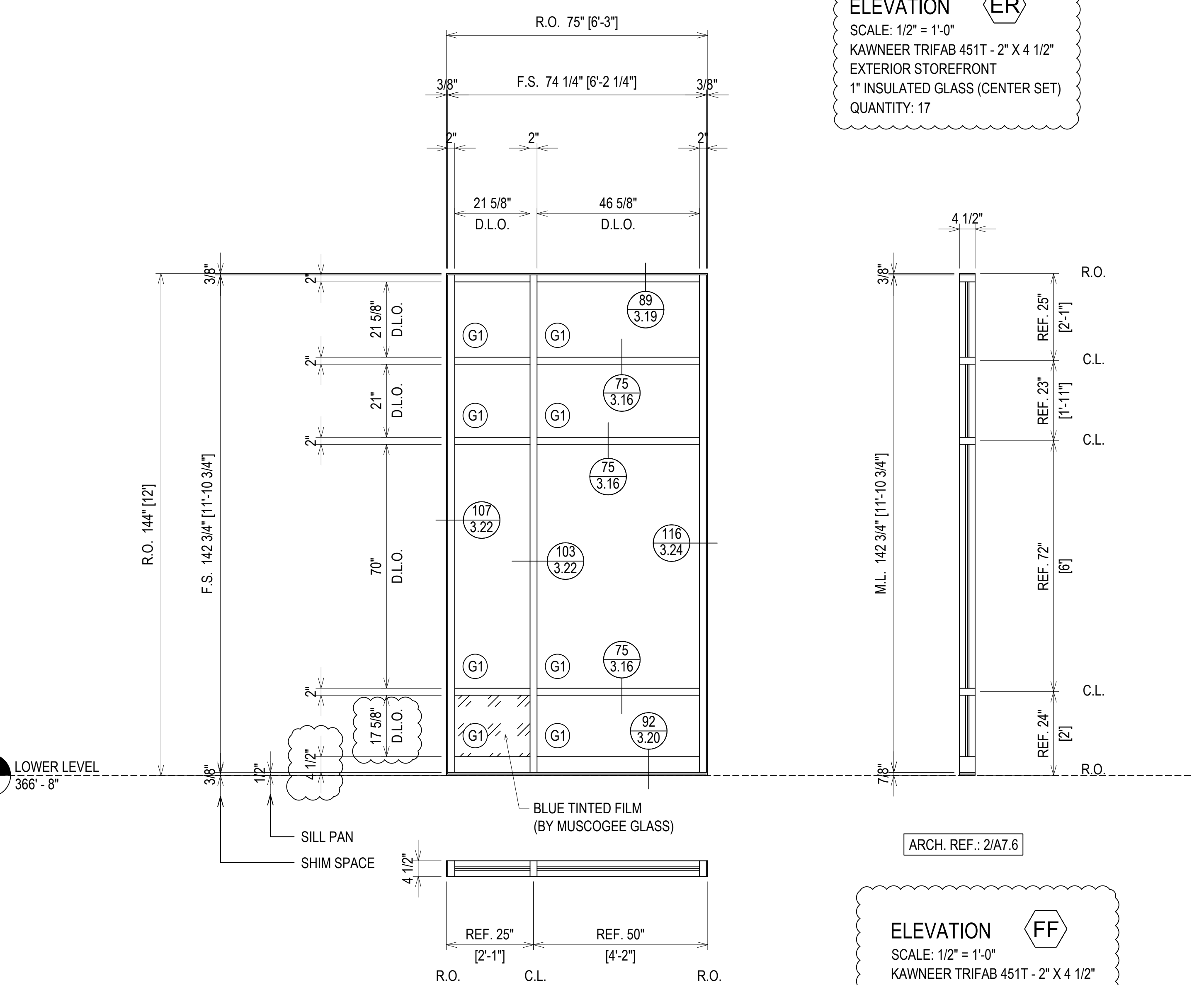
ERECTOR / G.C. NOTE:
PLEASE FIELD VERIFY ALL DIMENSIONS

PROJECT: MCSD ELEMENTARY SCHOOL NO. 8	ERECTOR: MUSCOGEE GLASS	1ST SUBMISSION	8.1.22
LOCATION: 180 NORTHSTAR DRIVE COLUMBUS, GA 31907	6922 JAMESSON WAY MIDLAND, GA 31820 (706)-569-9500	1ST REVISION	10.12.22
		2ND REVISION	12.16.22
		DESCRIPTION	DATE
		NO	
		DRAWING SUBMISSION	



UPPER LEVEL
394' - 8"

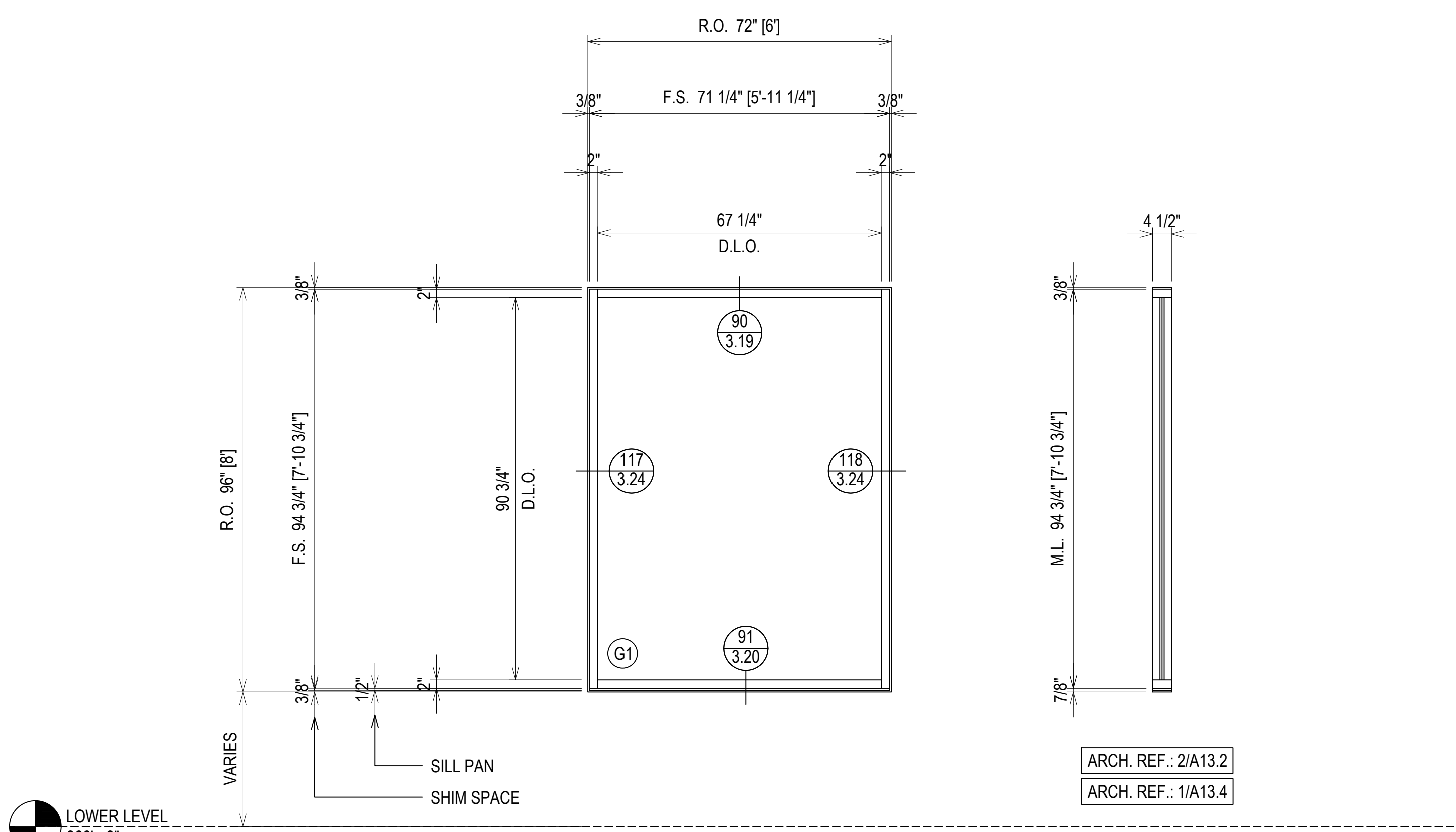
ELEVATION ER
SCALE: 1/2" = 1'-0"
KAWNEER TRIFAB 451T - 2" X 4 1/2"
EXTERIOR STOREFRONT
1" INSULATED GLASS (CENTER SET)
QUANTITY: 17



LOWER LEVEL
366' - 8"

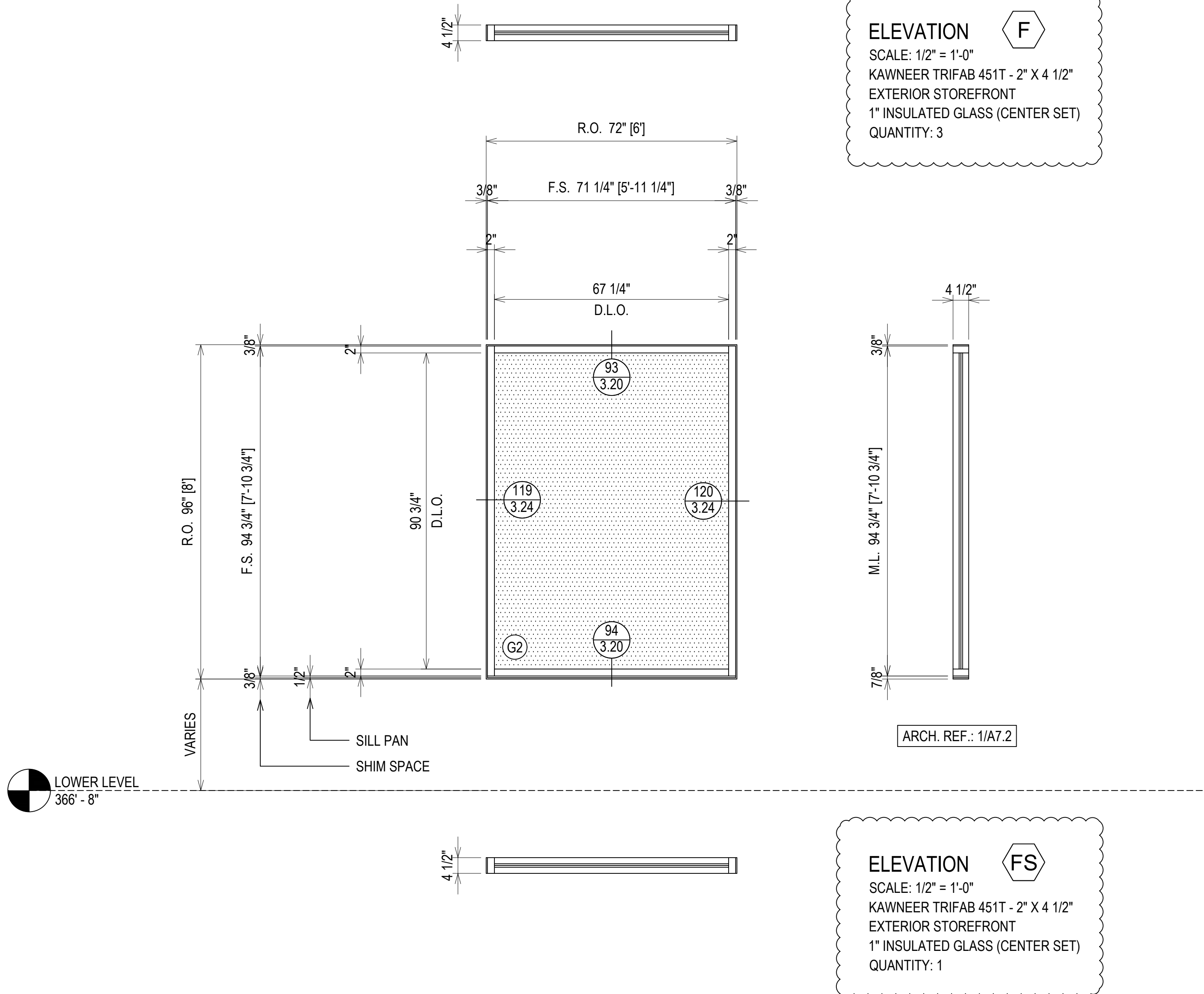
ELEVATION FF
SCALE: 1/2" = 1'-0"
KAWNEER TRIFAB 451T - 2" X 4 1/2"
EXTERIOR STOREFRONT
1" INSULATED GLASS (CENTER SET)
QUANTITY: 1

ERECTOR / G.C. NOTE:
PLEASE FIELD VERIFY ALL DIMENSIONS



LOWER LEVEL
366' - 8"

ELEVATION F
SCALE: 1/2" = 1'-0"
KAWNEER TRIFAB 451T - 2" X 4 1/2"
EXTERIOR STOREFRONT
1" INSULATED GLASS (CENTER SET)
QUANTITY: 3

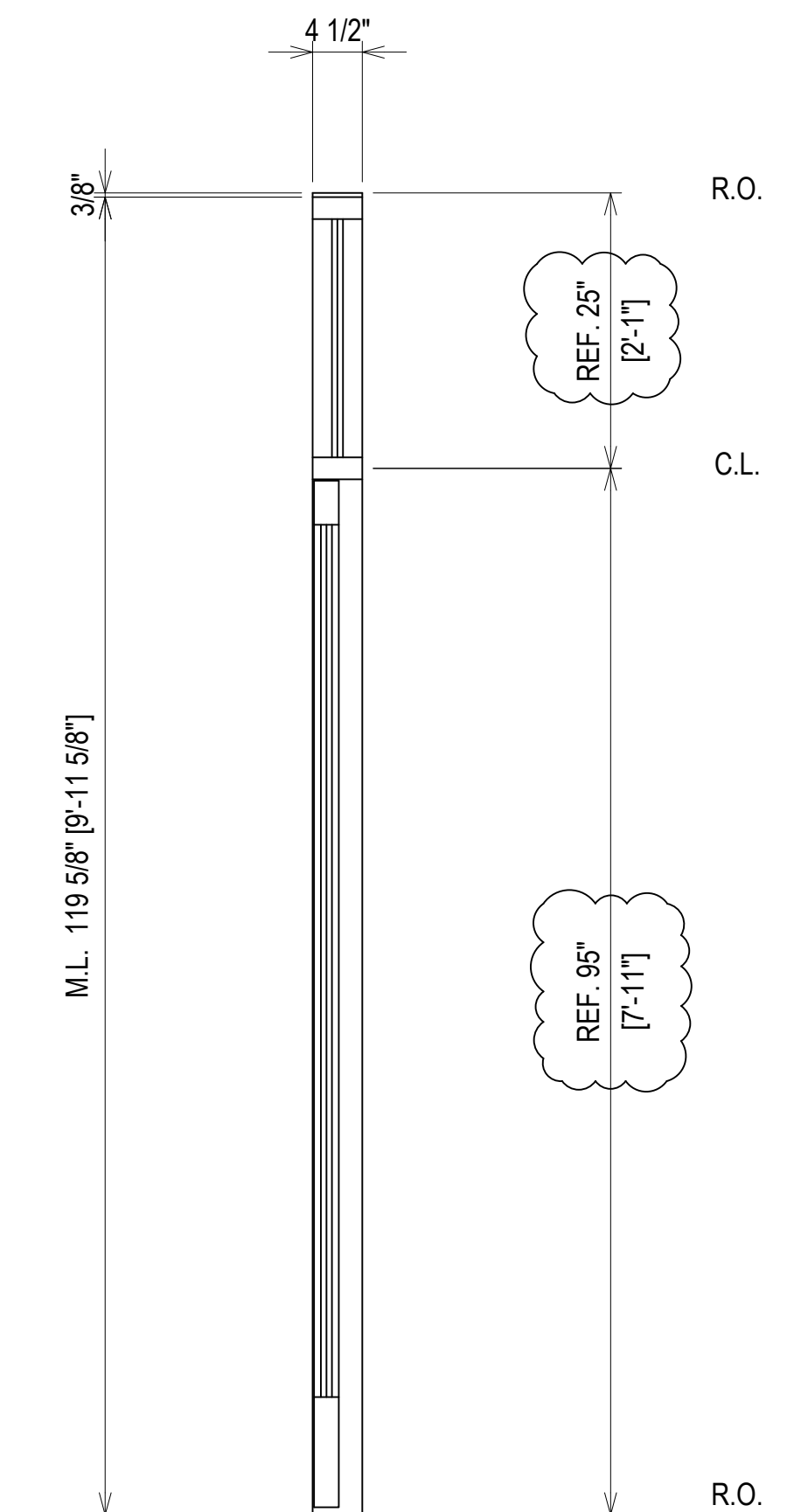
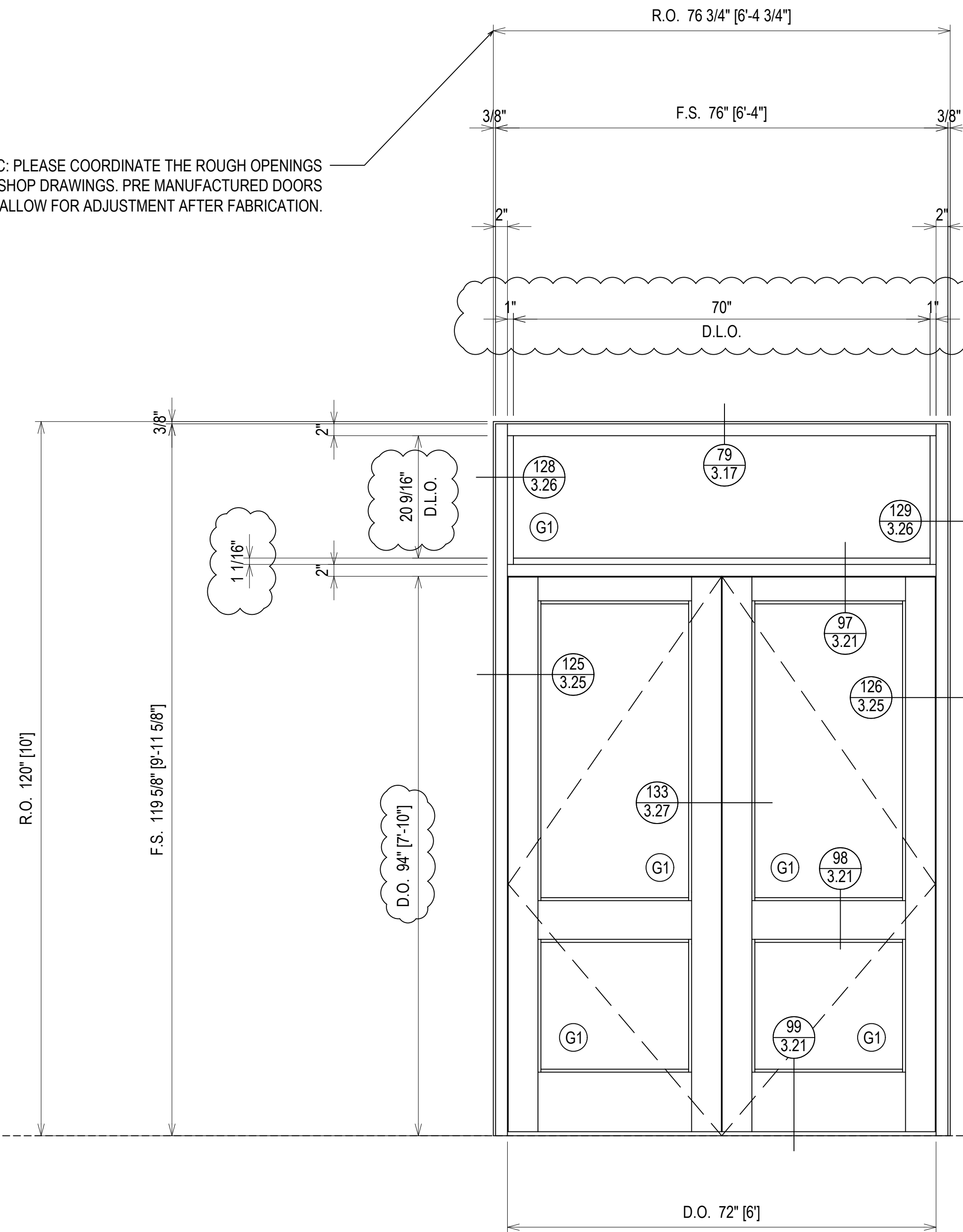


LOWER LEVEL
366' - 8"

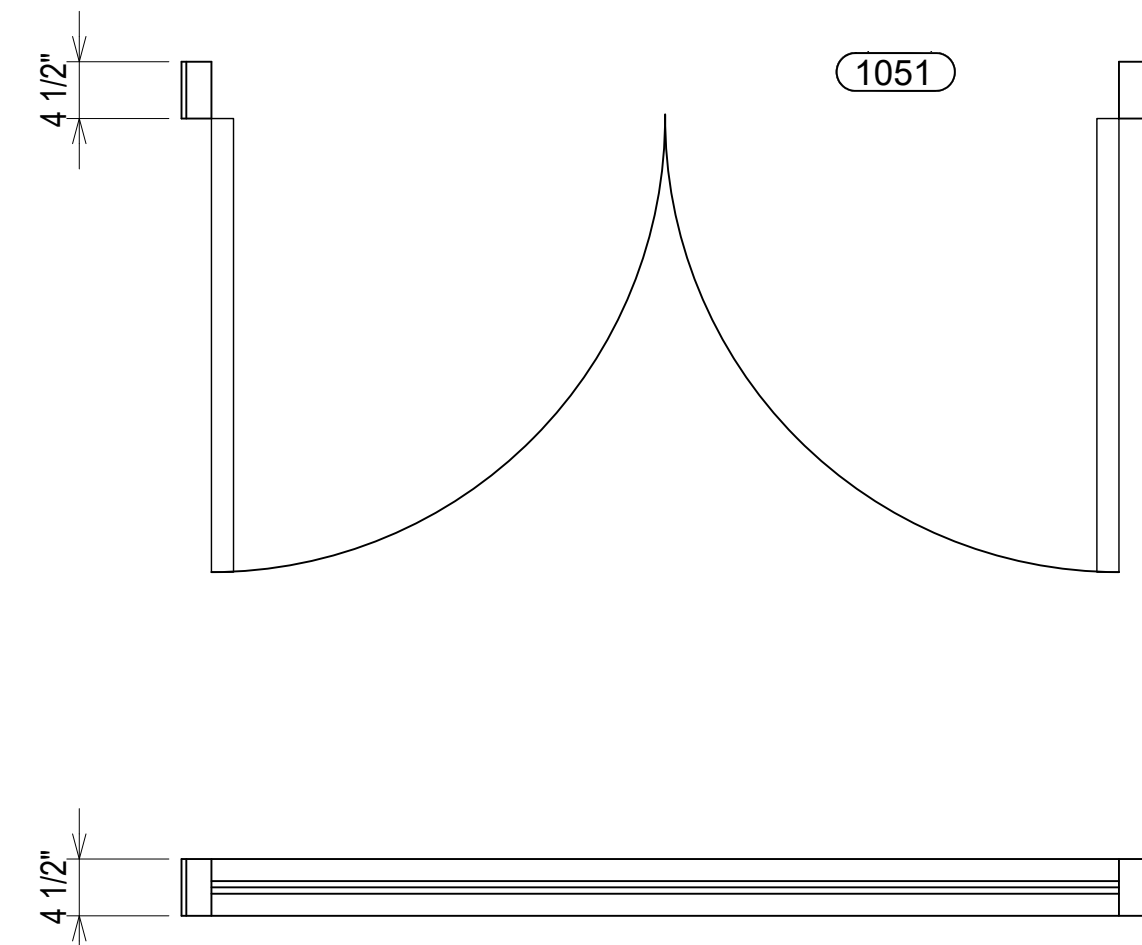
ELEVATION FS
SCALE: 1/2" = 1'-0"
KAWNEER TRIFAB 451T - 2" X 4 1/2"
EXTERIOR STOREFRONT
1" INSULATED GLASS (CENTER SET)
QUANTITY: 1

PROJECT: MCSD ELEMENTARY SCHOOL NO. 8		ERECTOR: MUSCOGEE GLASS	
LOCATION: 180 NORTHSTAR DRIVE COLUMBUS, GA 31907		6922 JAMESSON WAY MIDLAND, GA 31820 (706)-569-9500	
DRAWN BY: DJ	DATE: 8.1.22	1ST SUBMISSION	8.1.22
CHECKED BY: CJ	DATE: 8.1.22	1ST REVISION	10.12.22
		2ND REVISION	12.16.22
		DESCRIPTION	DATE
		DRAWING SUBMISSION	

GC: PLEASE COORDINATE THE ROUGH OPENINGS TO THESE SHOP DRAWINGS. PRE MANUFACTURED DOORS DO NOT ALLOW FOR ADJUSTMENT AFTER FABRICATION.



ARCH. REF.: 7/A7.8



ELEVATION 
 SCALE: 3/4" = 1'-0"
 KAWNEER TRIFAB 451T - 2" X 4 1/2"
 EXTERIOR STOREFRONT
 1" INSULATED GLASS (CENTER SET)
 QUANTITY: 1

LOWER LEVEL
 366' - 8"

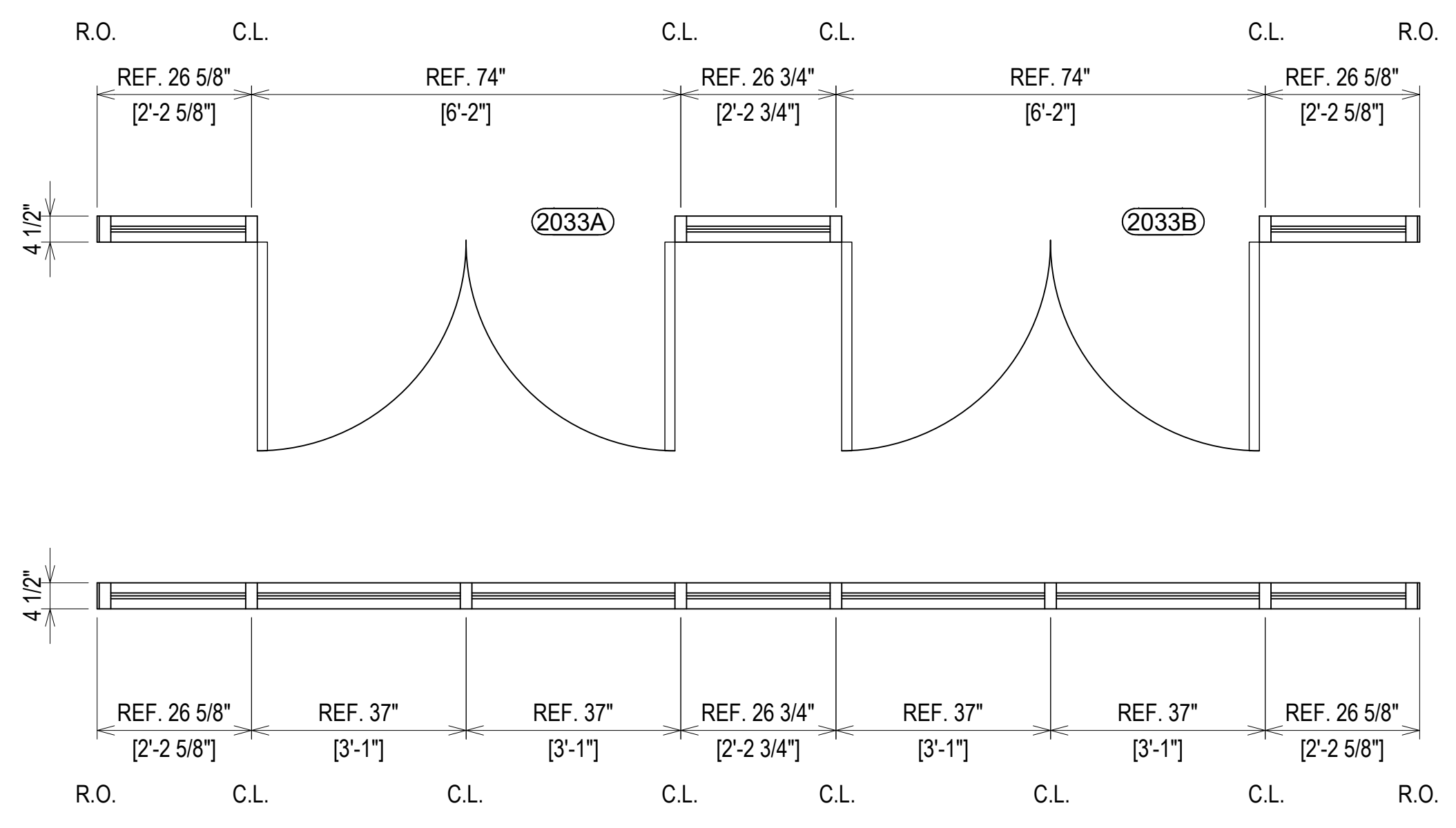
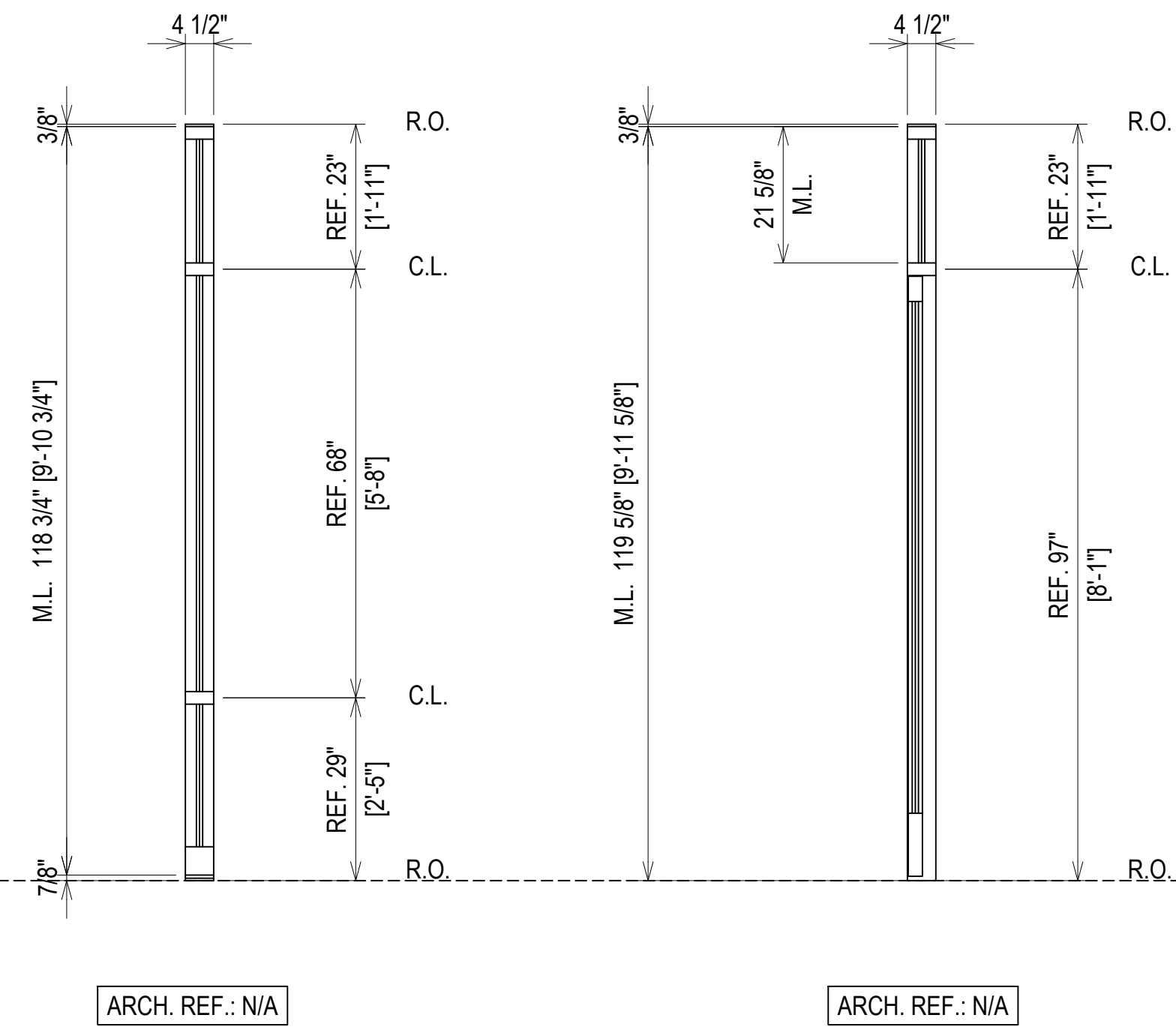
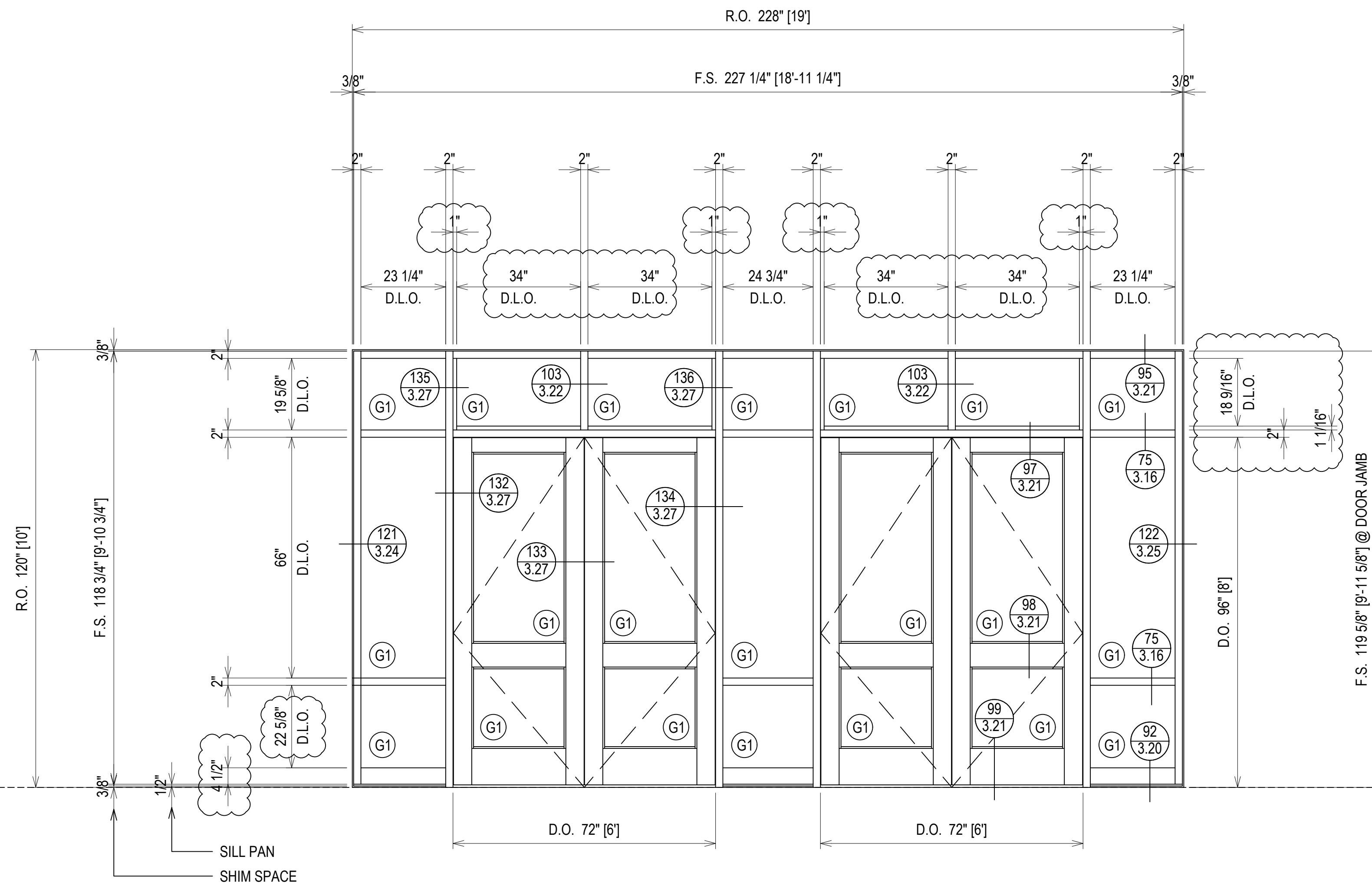
1ST SUBMISSION	8.1.22
1ST REVISION	10.12.22
2ND REVISION	12.16.22
NO	DATE
DESCRIPTION	
DRAWING SUBMISSION	

ERECTOR:
MUSCOGEE GLASS
 6922 JAMESSON WAY
 MIDLAND, GA 31820
 (706)-569-9500

PROJECT: MCSD ELEMENTARY SCHOOL NO. 8
 LOCATION: 180 NORTHSTAR DRIVE
 COLUMBUS, GA 31907

DRAWN BY:	DATE:
DJ	8.1.22
CHECKED BY:	DATE:
CJ	8.1.22

ERECTOR / G.C. NOTE:
 PLEASE FIELD VERIFY ALL DIMENSIONS



ELEVATION

SCALE: 1/2" = 1'-0"

KAWNEER TRIFAB 451T - 2" X 4 1/2"

EXTERIOR STOREFRONT

1" INSULATED GLASS (CENTER SET)

QUANTITY: 1

1ST SUBMISSION	8.1.22
1ST REVISION	10.12.22
2ND REVISION	12.16.22
NO	DATE
DESCRIPTION	
DRAWING SUBMISSION	

ERECTOR:

MUSCOGEE GLASS

6922 JAMESSON WAY

MIDLAND, GA 31820

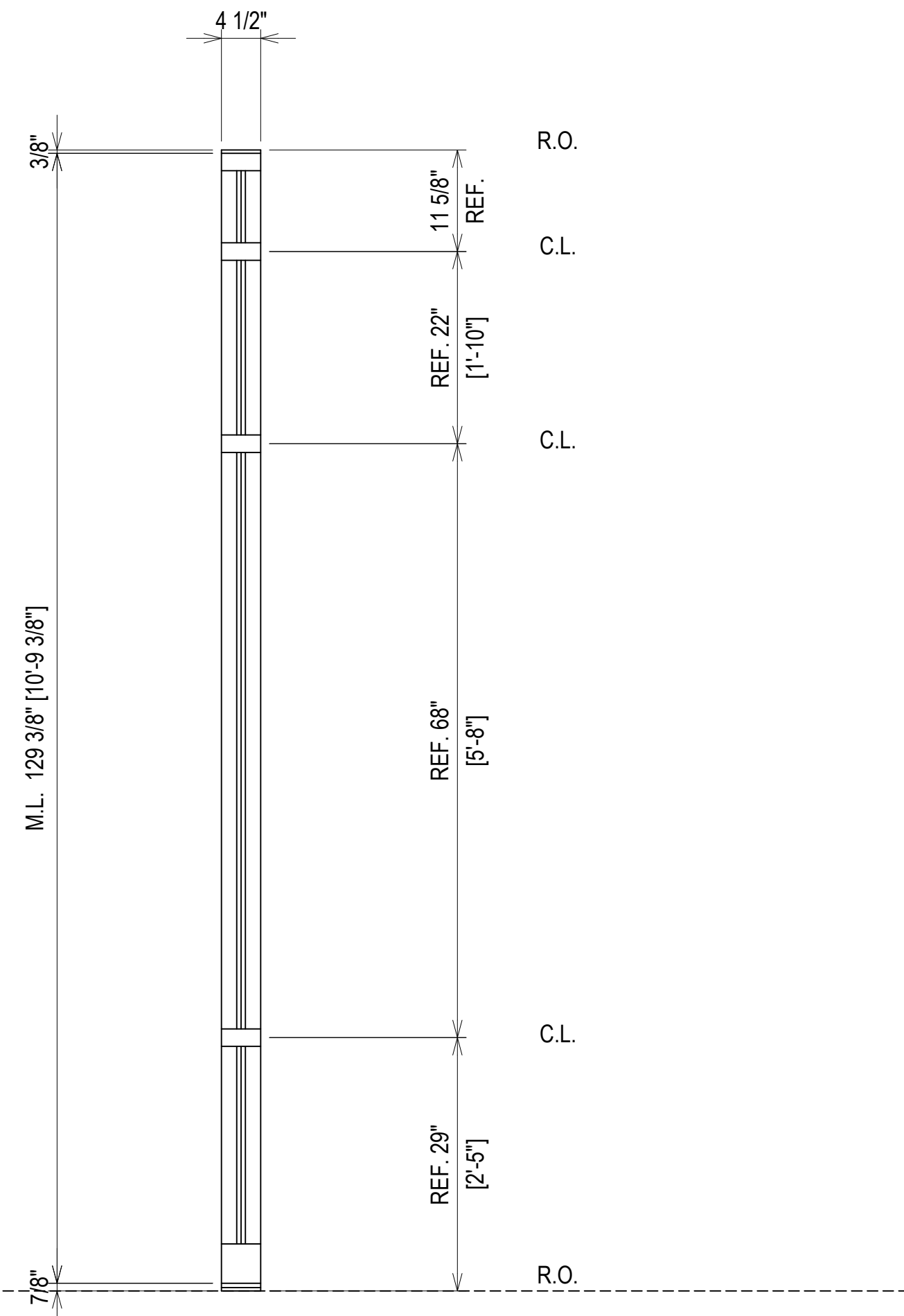
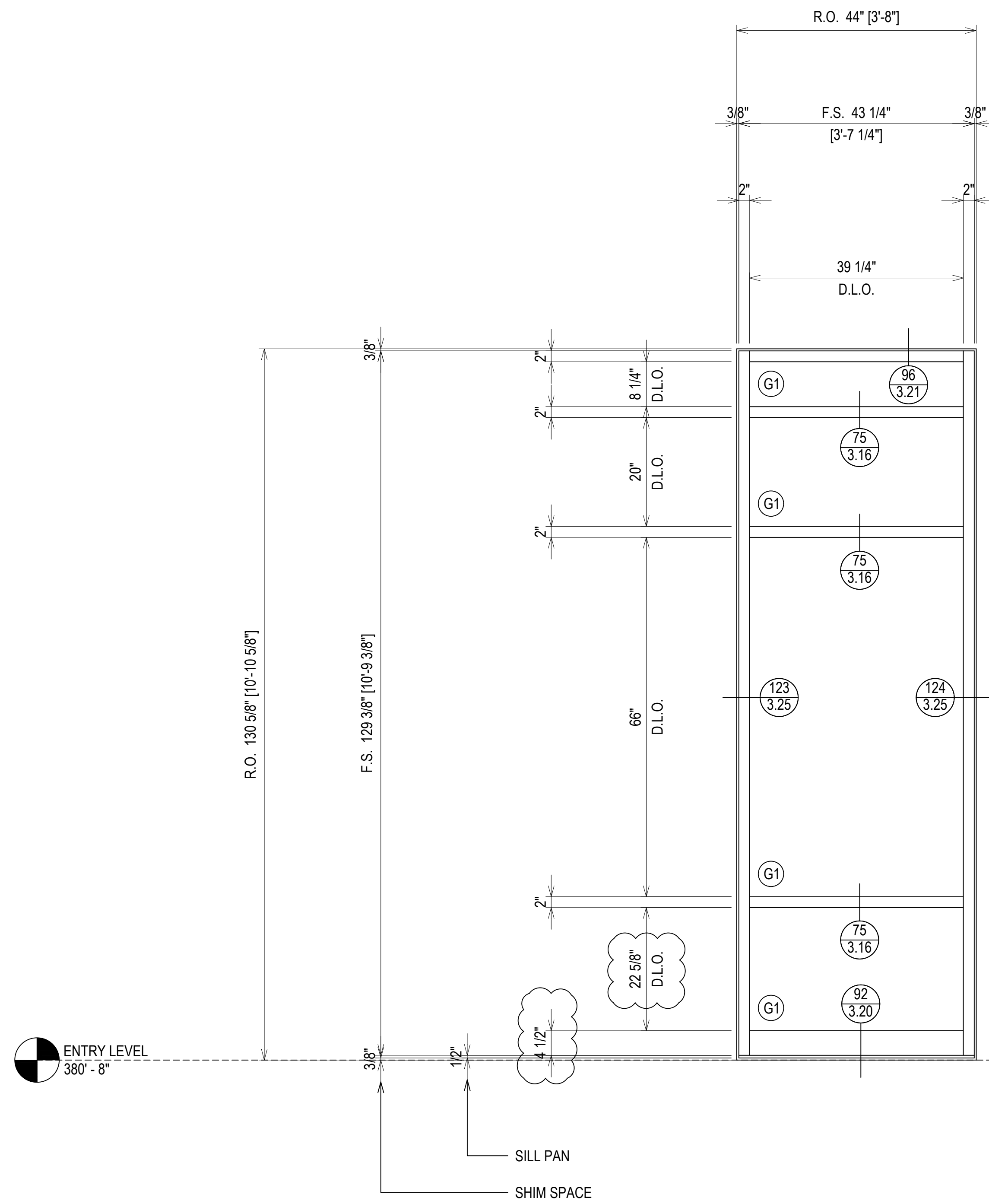
(706)-569-9500

PROJECT: MCSD ELEMENTARY SCHOOL NO. 8

LOCATION: 180 NORTHSTAR DRIVE
COLUMBUS, GA 31907

DRAWN BY:	DATE:
DJ	8.1.22
CHECKED BY:	DATE:
CJ	8.1.22

ERECTOR / G.C. NOTE:
PLEASE FIELD VERIFY ALL DIMENSIONS



ELEVATION JJ
 SCALE: 3/4" = 1'-0"
 KAWNEER TRIFAB 451T - 2" X 4 1/2"
 EXTERIOR STOREFRONT
 1" INSULATED GLASS (CENTER SET)
 QUANTITY: 1

ARCH. REF.: N/A

1ST SUBMISSION	8.1.22
1ST REVISION	10.12.22
2ND REVISION	12.16.22
NO	DESCRIPTION
	DATE
	DRAWING SUBMISSION

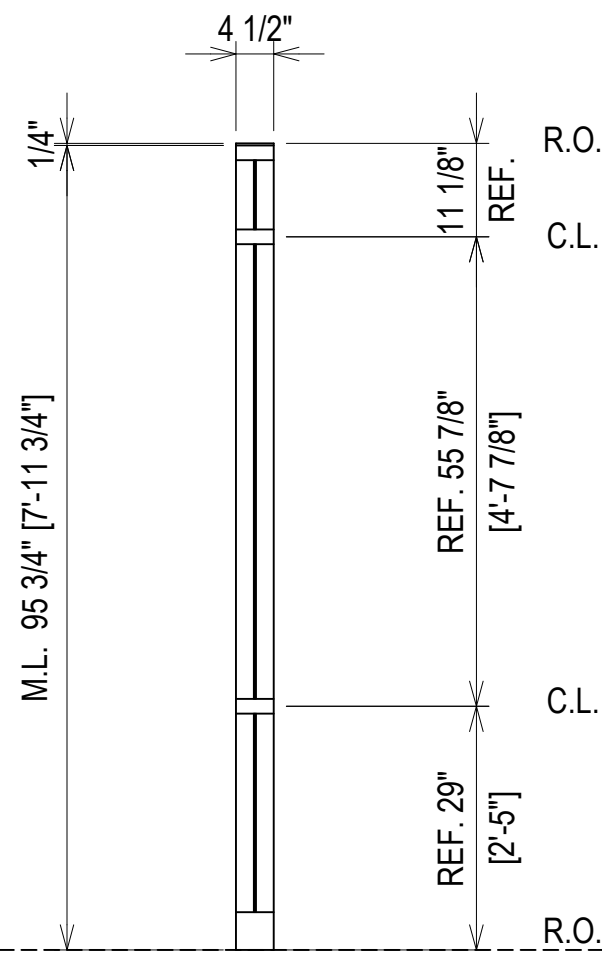
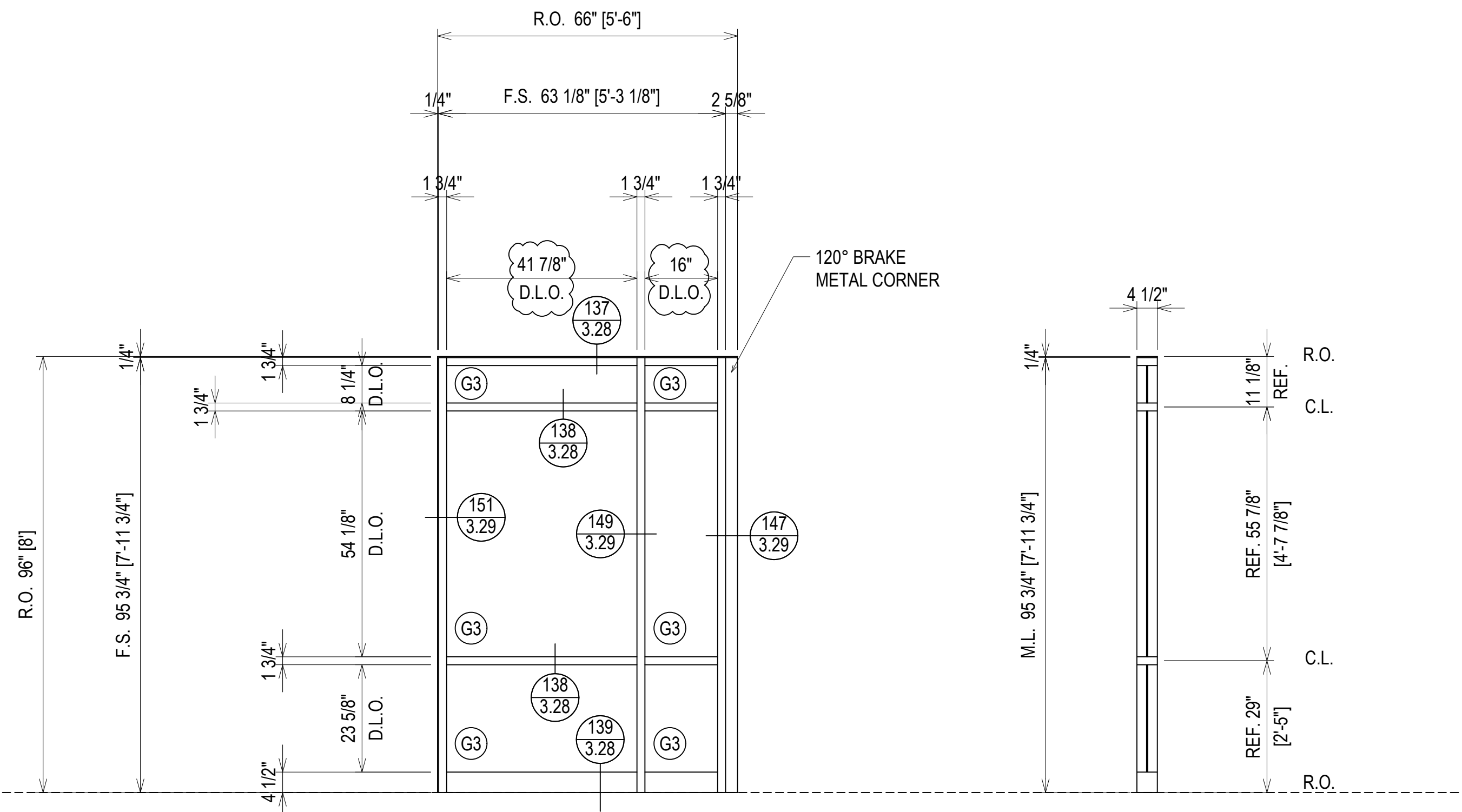
ERECTOR:
MUSCOGEE GLASS
 6922 JAMESSON WAY
 MIDLAND, GA 31820
 (706)-569-9500

PROJECT: MCSD ELEMENTARY SCHOOL NO. 8
 LOCATION: 180 NORTHSTAR DRIVE
 COLUMBUS, GA 31907

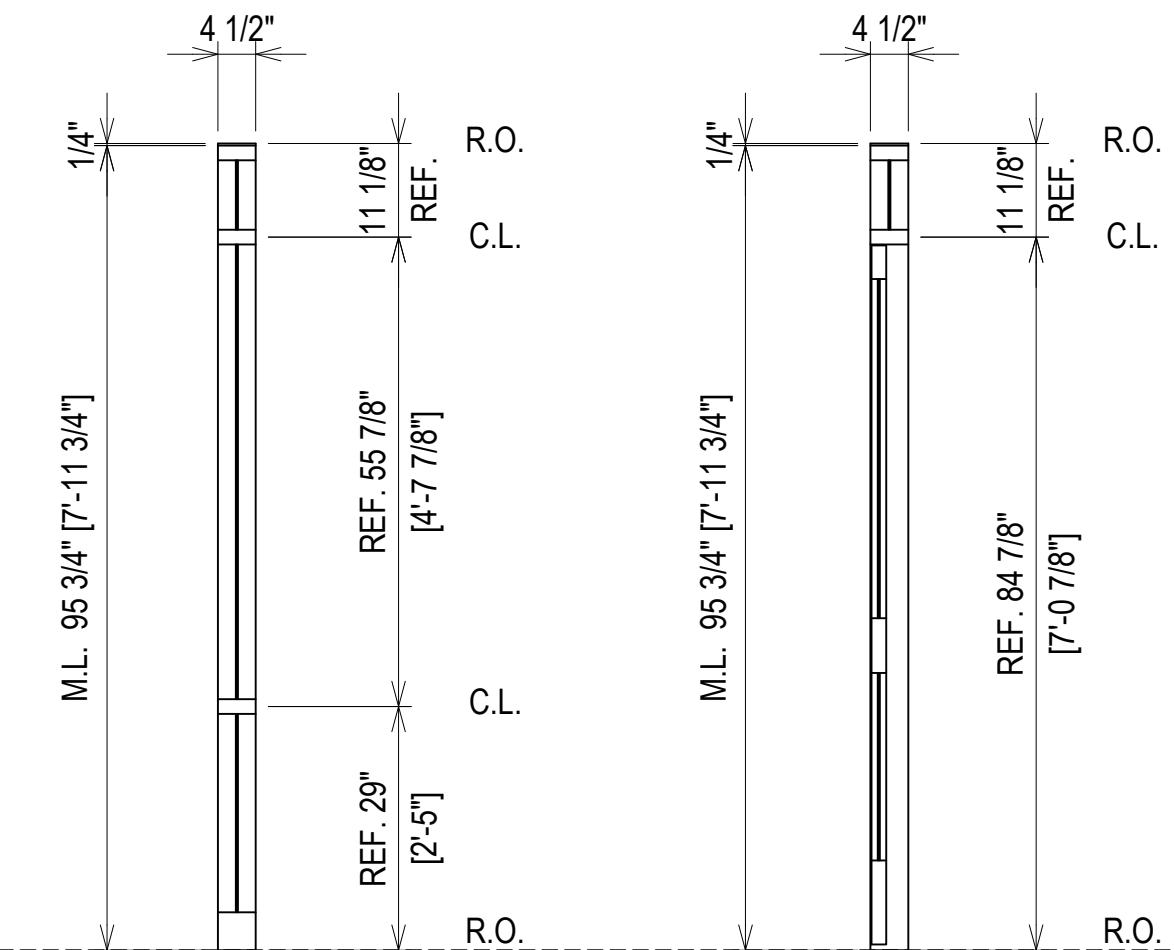
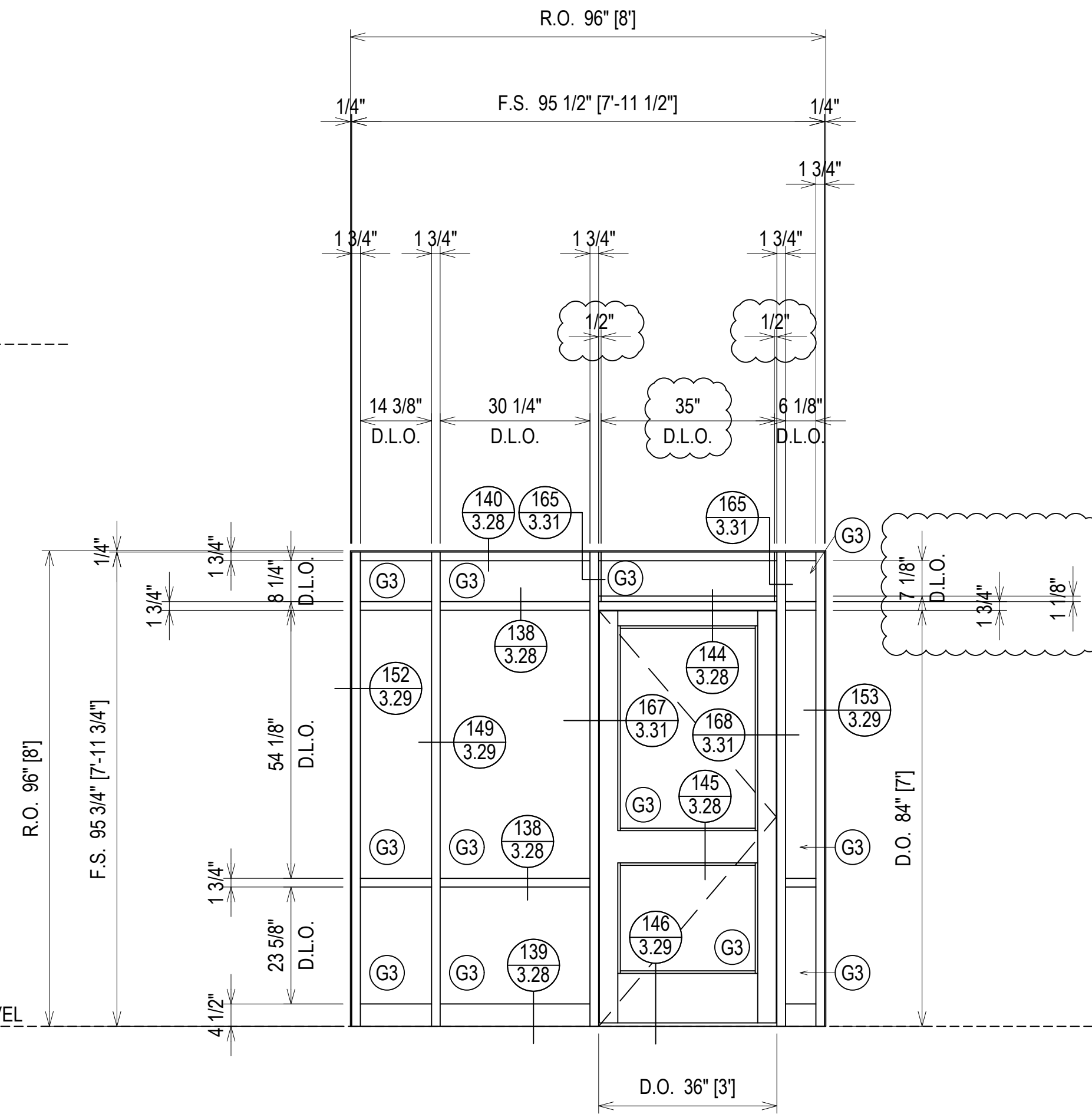
DRAWN BY:	DATE:
DJ	8.1.22
CHECKED BY:	DATE:
CJ	8.1.22

ERECTOR / G.C. NOTE:
 PLEASE FIELD VERIFY ALL DIMENSIONS

2.22



ARCH. REF.: N/A

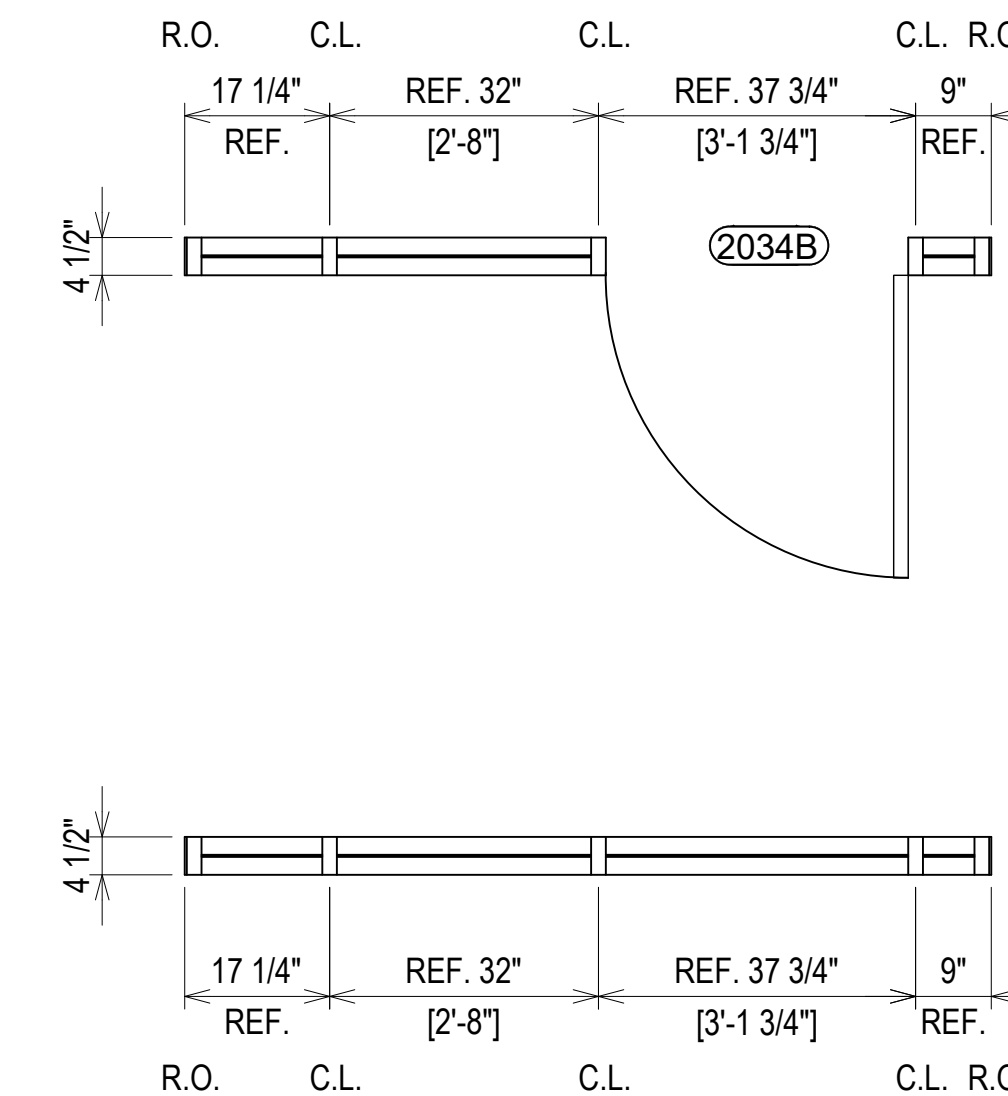
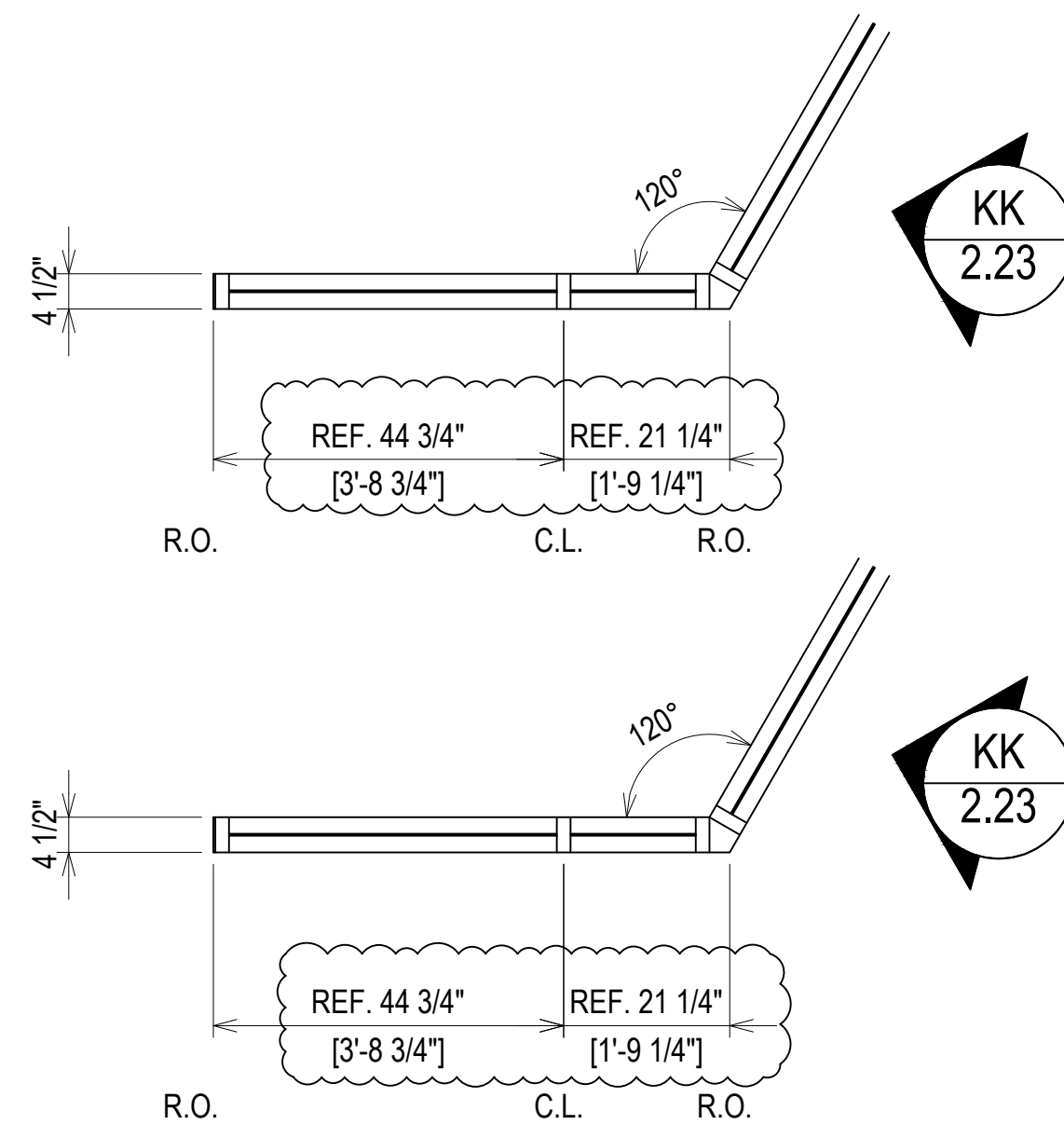


ARCH. REF.: N/A

ARCH. REF.: N/A

ELEVATION (KK)

SCALE: 1/2" = 1'-0"
 KAWNEER TRIFAB 450 - 1 3/4" X 4 1/2"
 INTERIOR STOREFRONT
 1/4" TEMPERED GLASS (CENTER SET)
 QUANTITY: 1



ELEVATION (LL)

SCALE: 1/2" = 1'-0"
 KAWNEER TRIFAB 450 - 1 3/4" X 4 1/2"
 INTERIOR STOREFRONT
 1/4" TEMPERED GLASS (CENTER SET)
 QUANTITY: 1

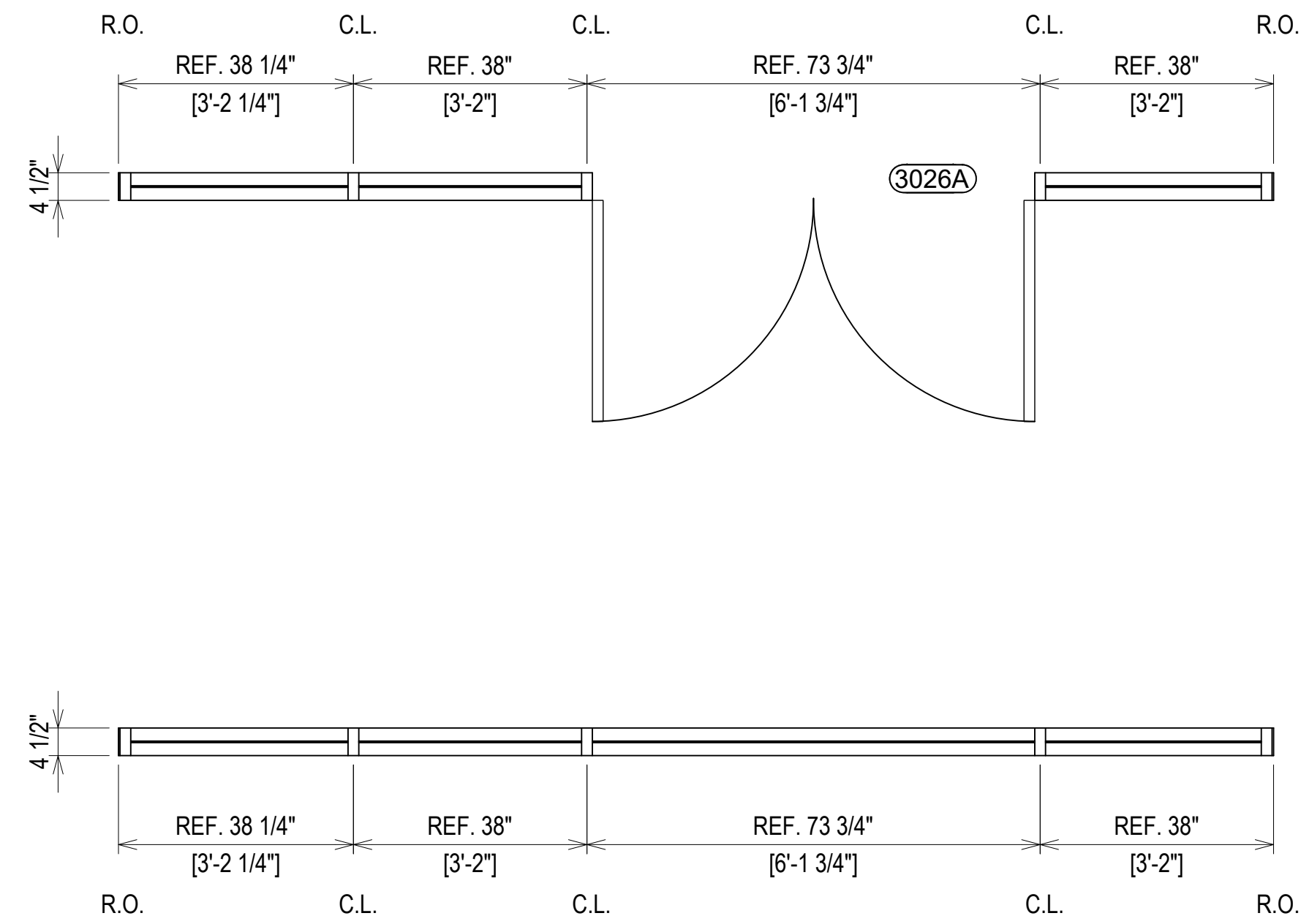
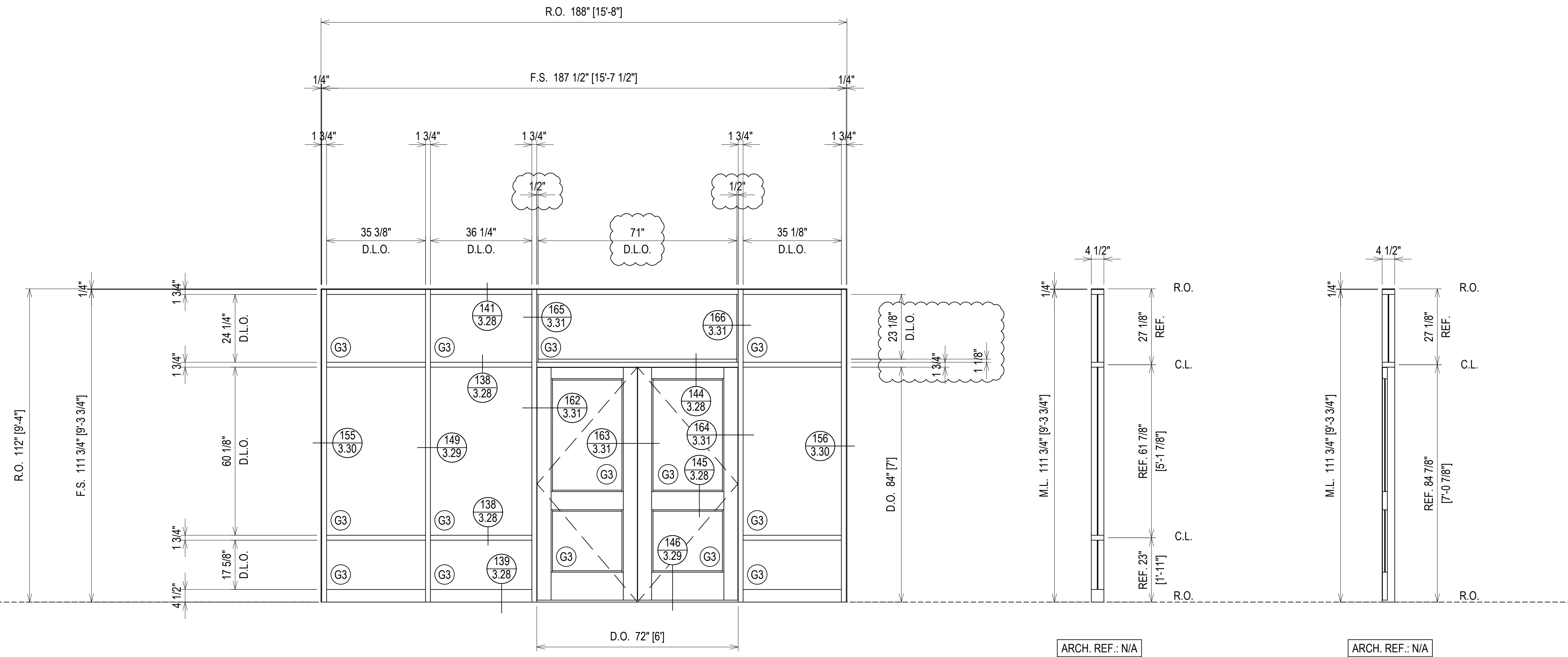
ERECTOR / G.C. NOTE:
 PLEASE FIELD VERIFY ALL DIMENSIONS

1ST SUBMISSION	8.1.22
1ST REVISION	10.12.22
2ND REVISION	12.16.22
NO	DATE
DESCRIPTION	DRAWING SUBMISSION

ERECTOR:
MUSCOGEE GLASS
 6922 JAMESON WAY
 MIDLAND, GA 31820
 (706)-569-9500

PROJECT: MCSD ELEMENTARY SCHOOL NO. 8
 LOCATION: 180 NORTHSTAR DRIVE
 COLUMBUS, GA 31907

DRAWN BY:	DATE:
DJ	8.1.22
CHECKED BY:	DATE:
CJ	8.1.22



ELEVATION NN
 SCALE: 1/2" = 1'-0"
 KAWNEER TRIFAB 450 - 1 3/4" X 4 1/2"
 INTERIOR STOREFRONT
 1/4" TEMPERED GLASS (CENTER SET)
 QUANTITY: 1

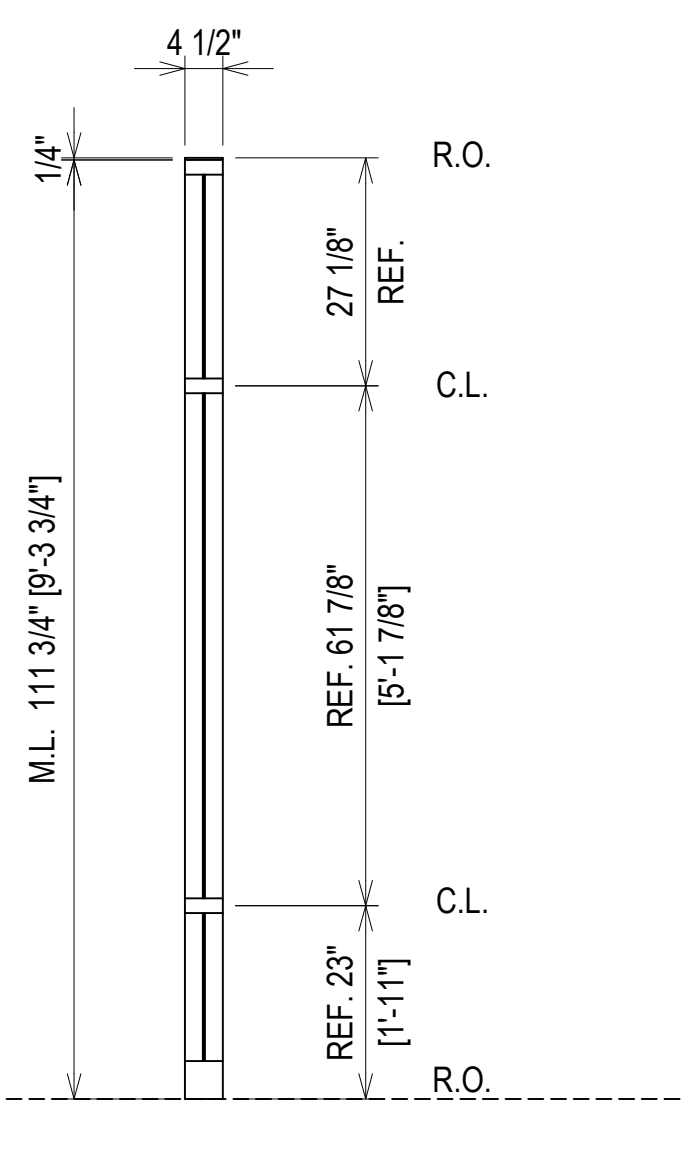
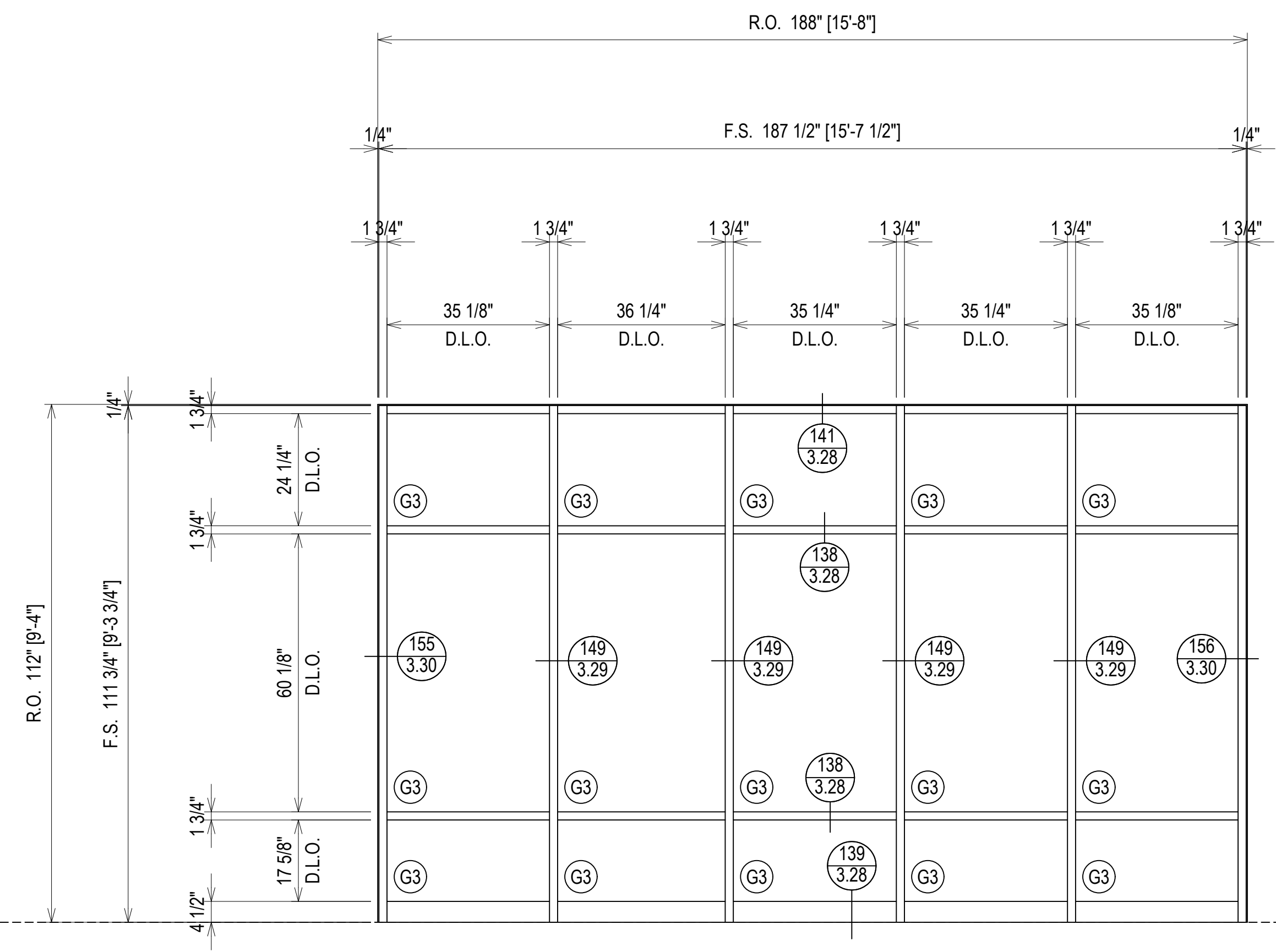
1ST SUBMISSION	8.1.22
1ST REVISION	10.12.22
2ND REVISION	12.16.22
NO	DATE
DESCRIPTION	
DRAWING SUBMISSION	

ERECTOR:
MUSCOGEE GLASS
 6922 JAMESSON WAY
 MIDLAND, GA 31820
 (706)-569-9500

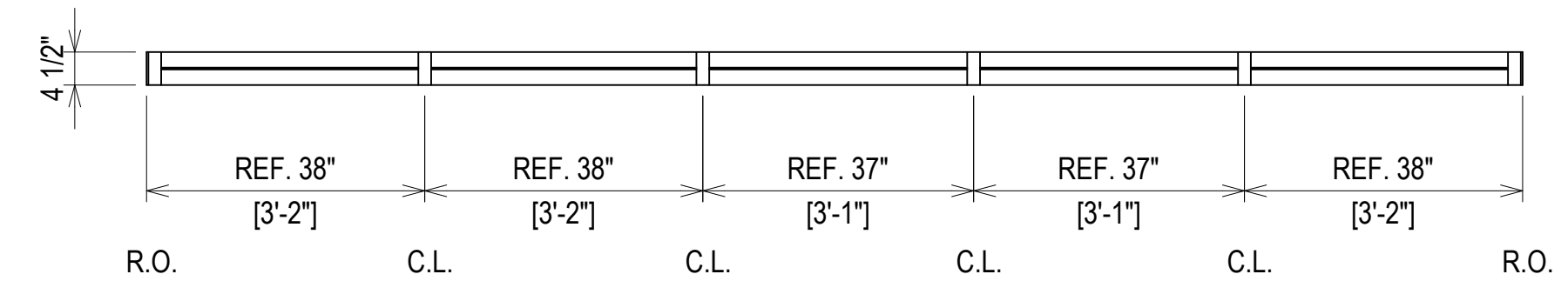
PROJECT: MCSD ELEMENTARY SCHOOL NO. 8
 LOCATION: 180 NORTHSTAR DRIVE
 COLUMBUS, GA 31907

DRAWN BY:	DATE:
DJ	8.1.22
CHECKED BY:	DATE:
CJ	8.1.22

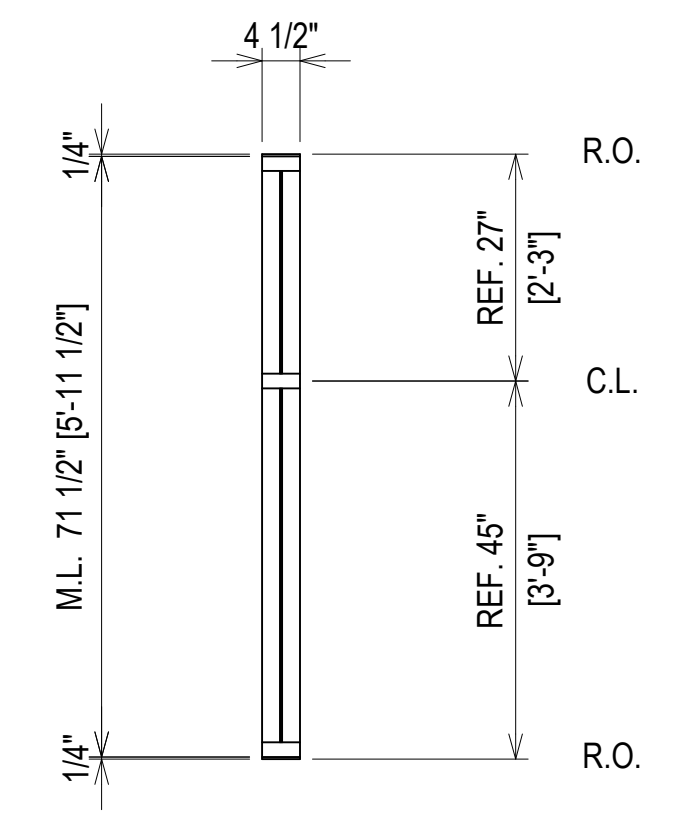
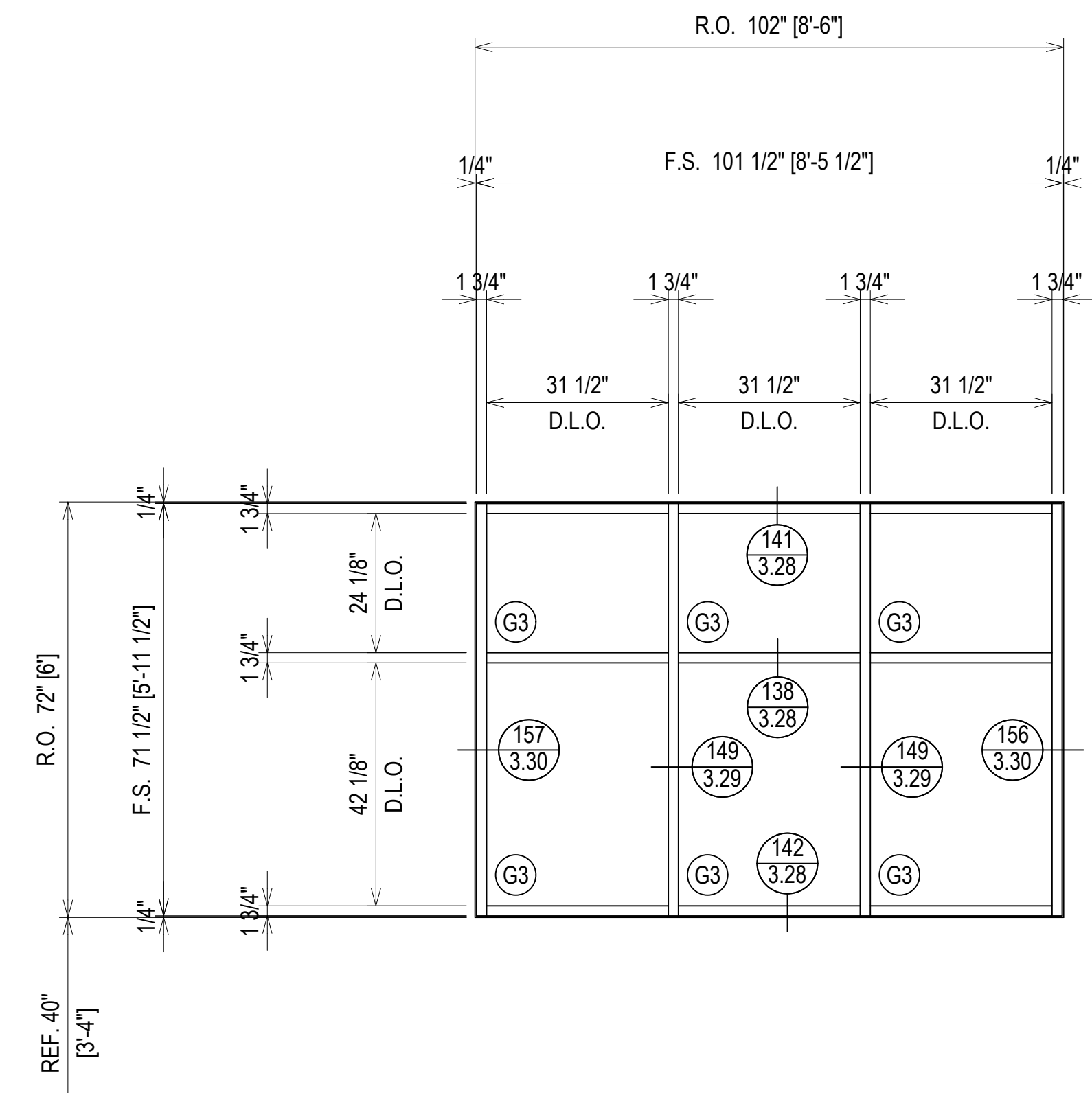
ERECTOR / G.C. NOTE:
 PLEASE FIELD VERIFY ALL DIMENSIONS



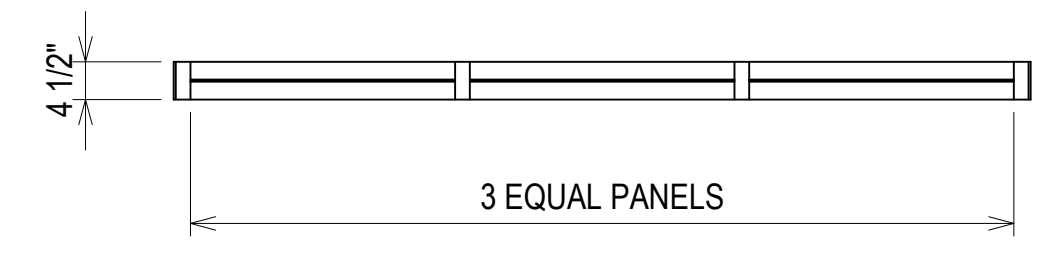
ARCH. REF.: N/A



ELEVATION PP
 SCALE: 1/2" = 1'-0"
 KAWNEER TRIFAB 450 - 1 3/4" X 4 1/2"
 INTERIOR STOREFRONT
 1/4" TEMPERED GLASS (CENTER SET)
 QUANTITY: 1



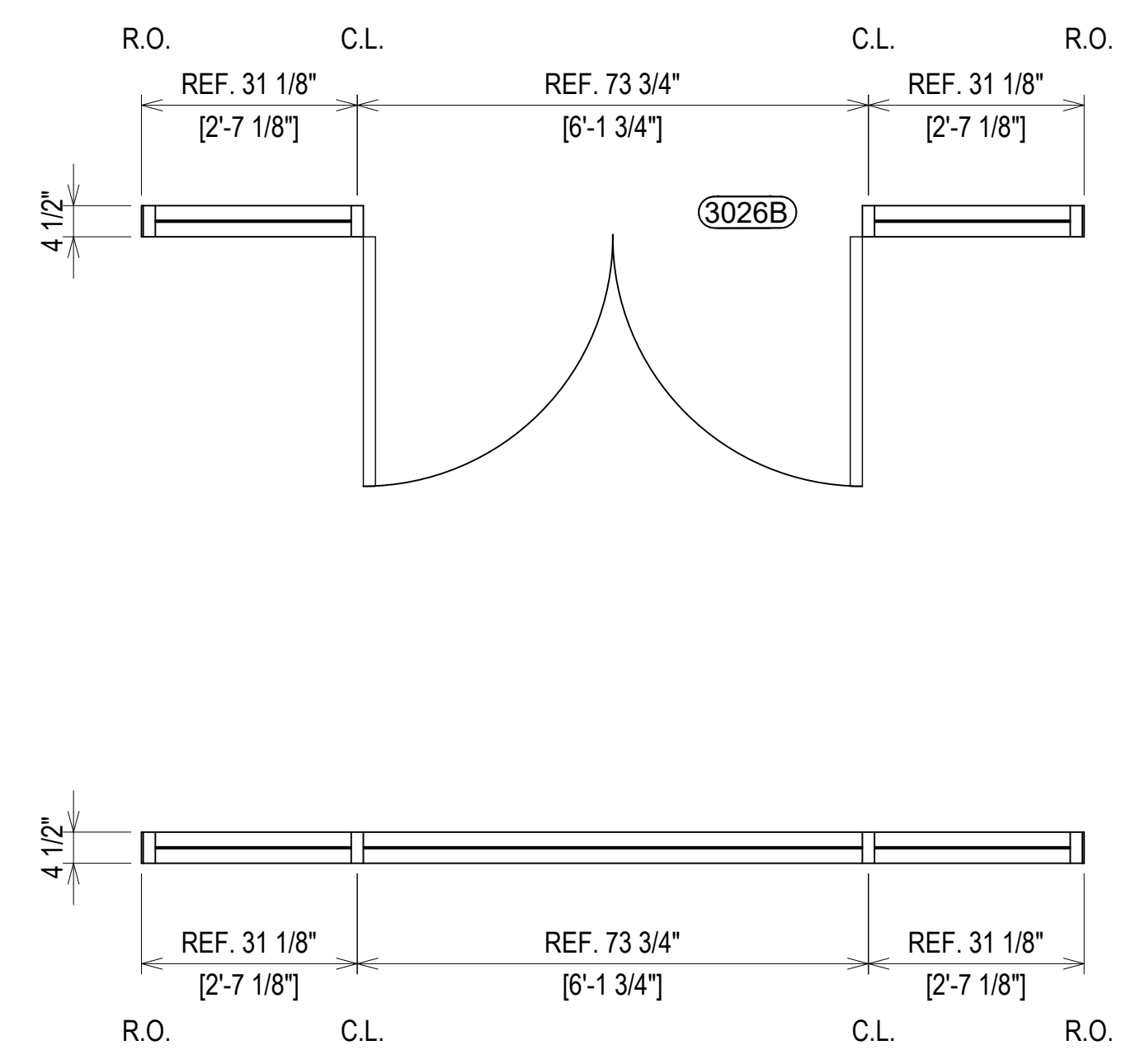
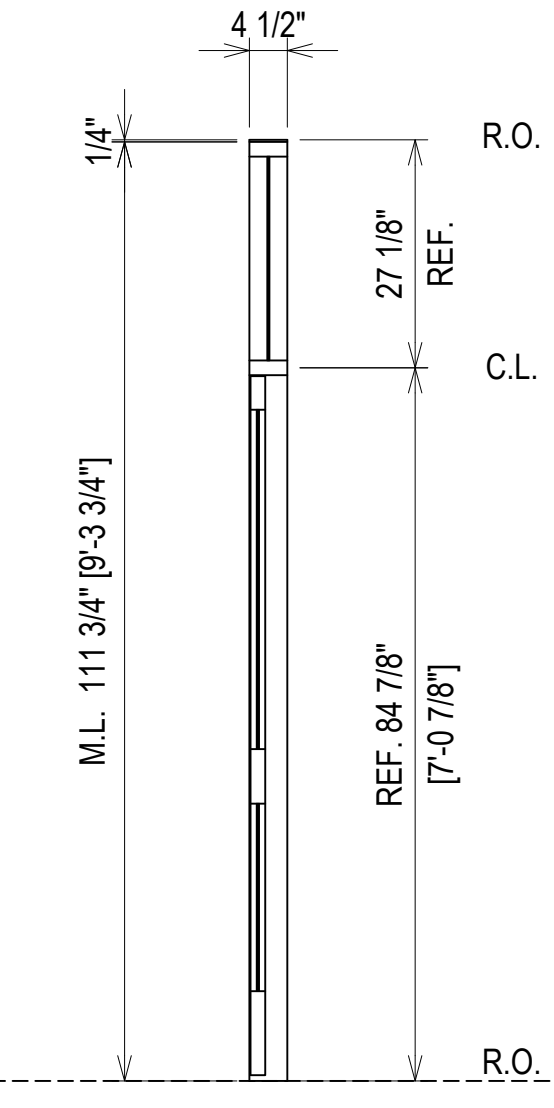
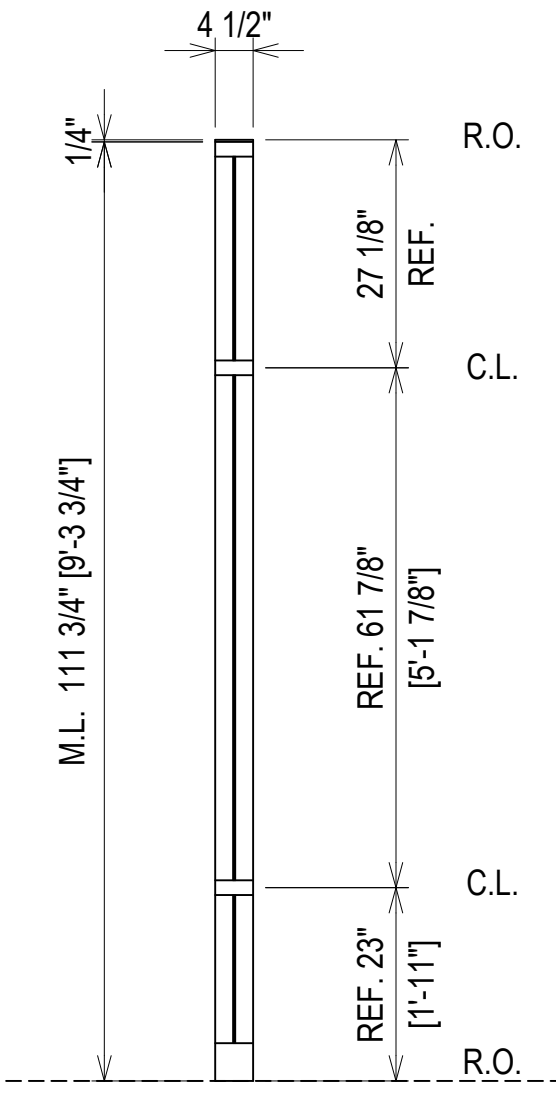
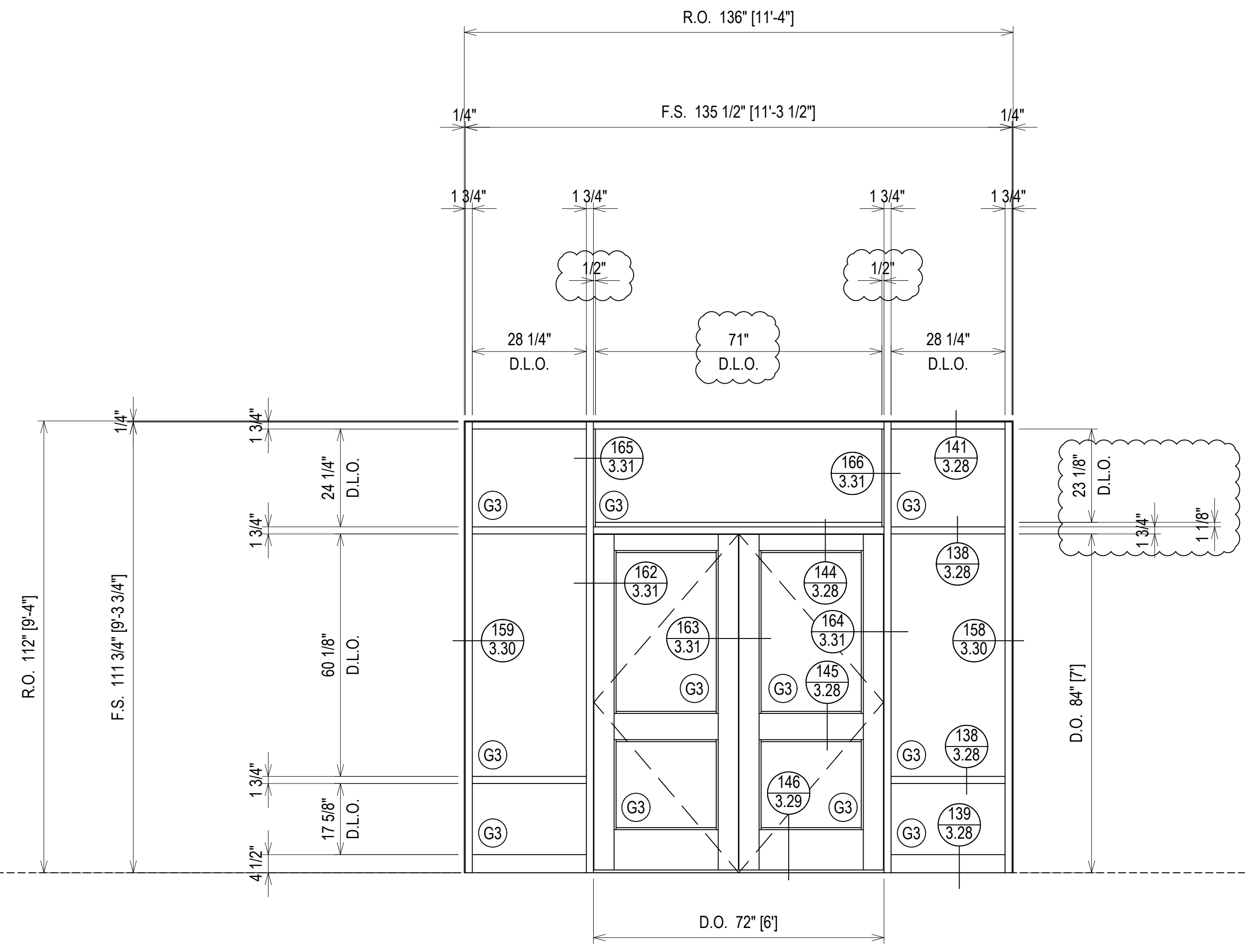
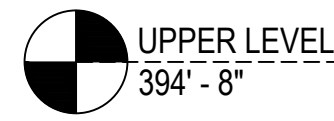
ARCH. REF.: N/A



ELEVATION QQ
 SCALE: 1/2" = 1'-0"
 KAWNEER TRIFAB 450 - 1 3/4" X 4 1/2"
 INTERIOR STOREFRONT
 1/4" TEMPERED GLASS (CENTER SET)
 QUANTITY: 1

ERECTOR / G.C. NOTE:
 PLEASE FIELD VERIFY ALL DIMENSIONS

PROJECT: MCSD ELEMENTARY SCHOOL NO. 8		ERECTOR: MUSCOGEE GLASS	
LOCATION: 180 NORTHSTAR DRIVE COLUMBUS, GA 31907		6922 JAMESSON WAY MIDLAND, GA 31820 (706)-569-9500	
DRAWN BY: DJ	DATE: 8.1.22	1ST SUBMISSION	8.1.22
CHECKED BY: CJ	DATE: 8.1.22	1ST REVISION	10.12.22
		2ND REVISION	12.16.22
		NO	DATE
		DRAWING SUBMISSION	



ELEVATION RR
 SCALE: 1/2" = 1'-0"
 KAWNEER TRIFAB 450 - 1 3/4" X 4 1/2"
 INTERIOR STOREFRONT
 1/4" TEMPERED GLASS (CENTER SET)
 QUANTITY: 1

ARCH. REF.: N/A

ARCH. REF.: N/A

1ST SUBMISSION	8.1.22
1ST REVISION	10.12.22
2ND REVISION	12.16.22
NO	DATE
DESCRIPTION	
DRAWING SUBMISSION	

ERECTOR:
MUSCOGEE GLASS
 6922 JAMESSON WAY
 MIDLAND, GA 31820
 (706)-569-9500

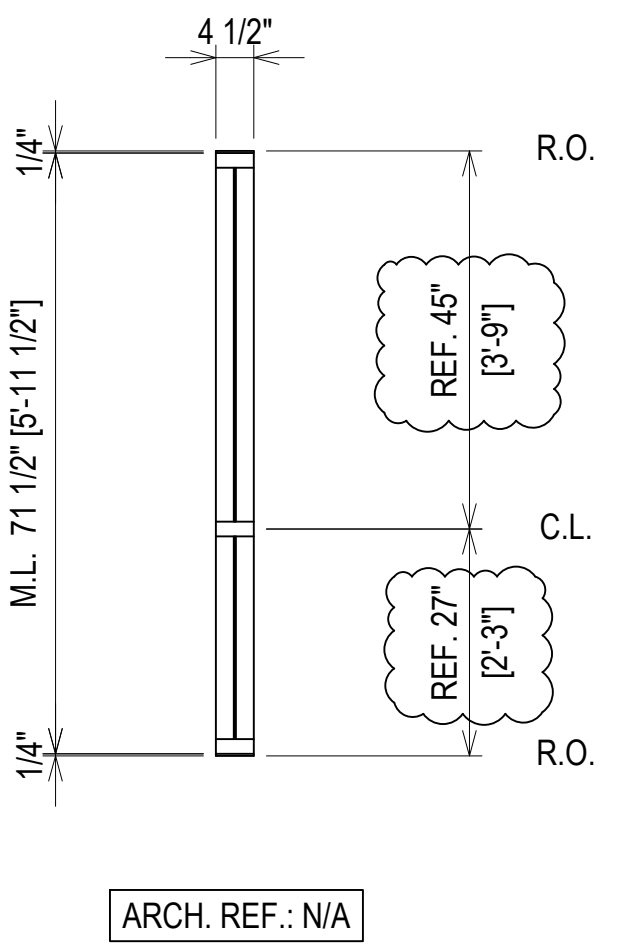
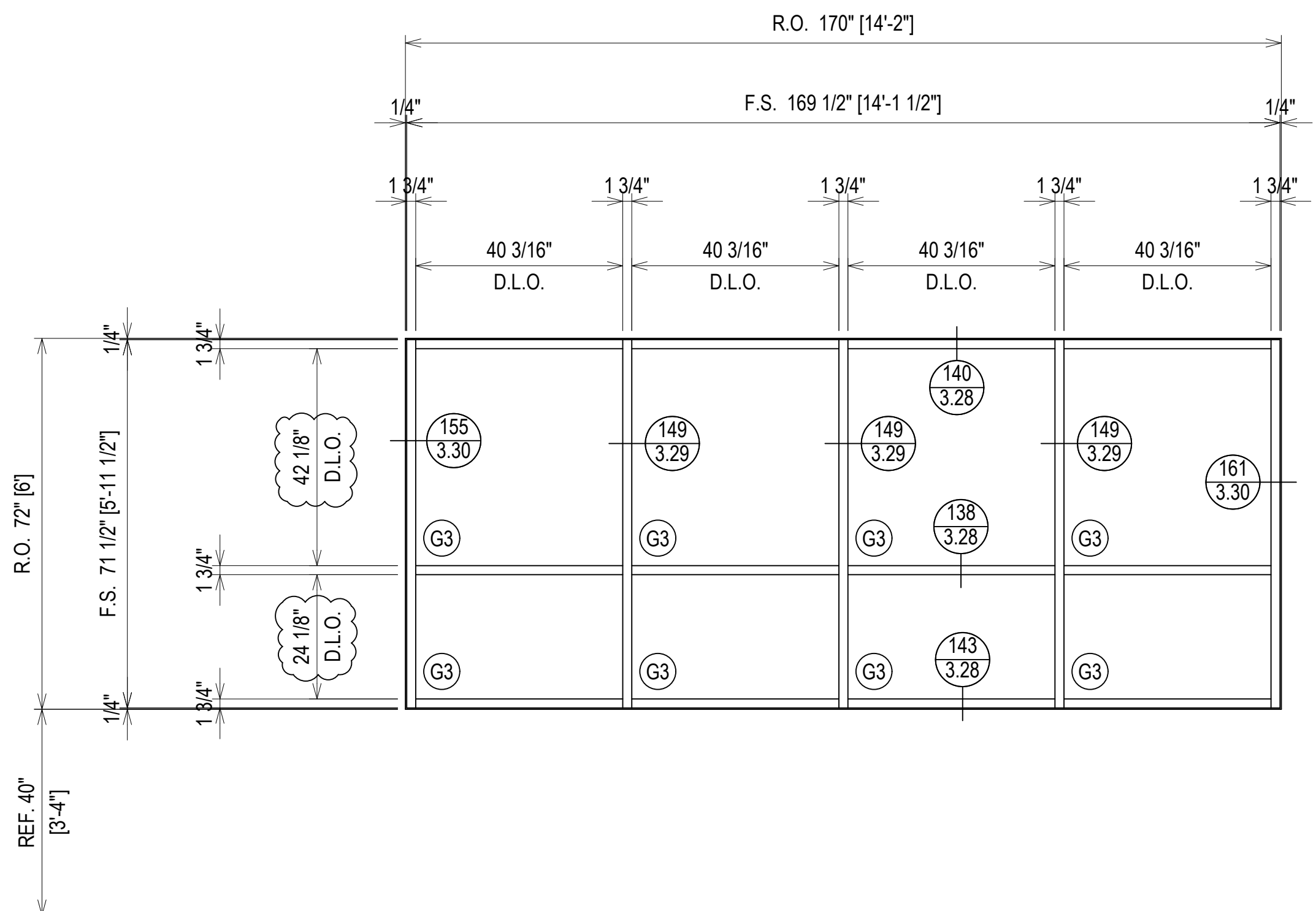
PROJECT: MCSD ELEMENTARY SCHOOL NO. 8
 LOCATION: 180 NORTHSTAR DRIVE
 COLUMBUS, GA 31907

DRAWN BY:	DATE:
DJ	8.1.22
CHECKED BY:	DATE:
CJ	8.1.22

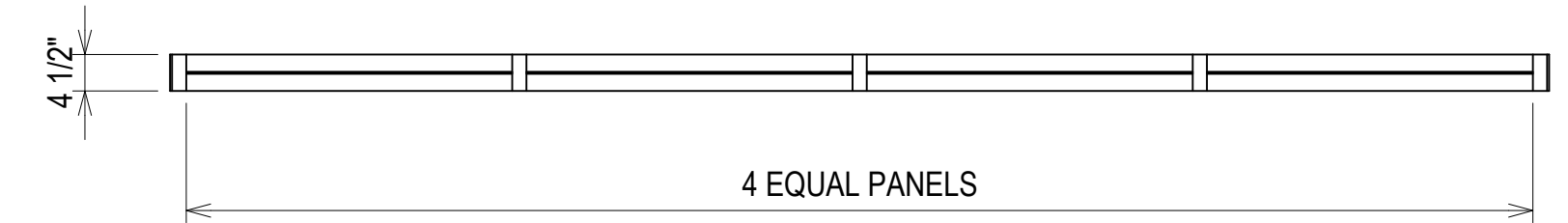
ERECTOR / G.C. NOTE:
 PLEASE FIELD VERIFY ALL DIMENSIONS



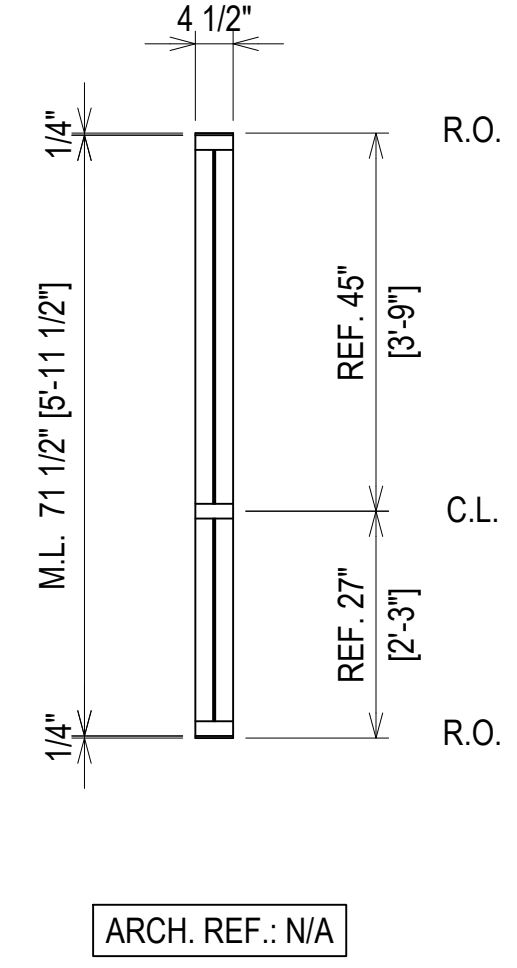
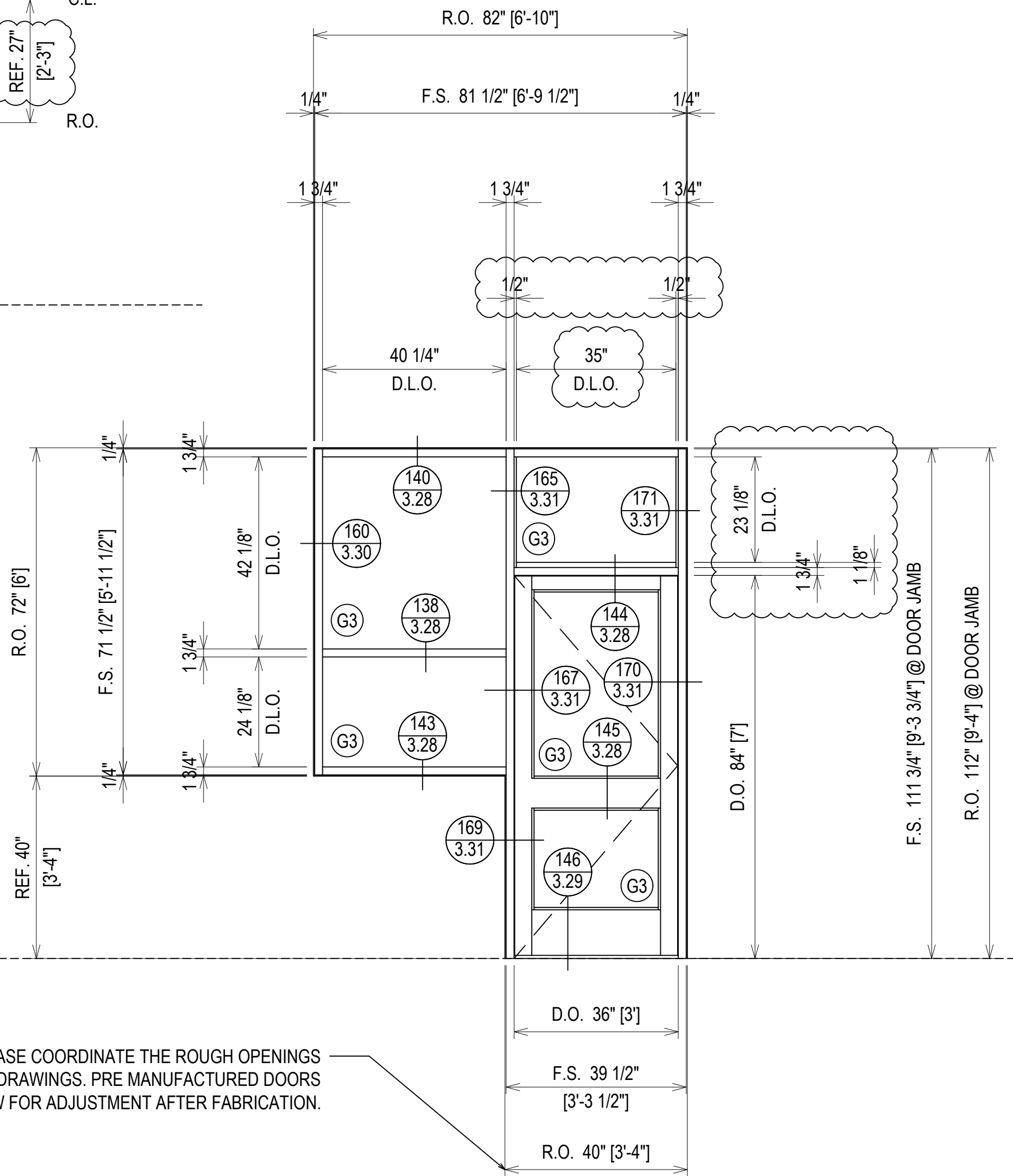
ELEVATION **SS**
 SCALE: 1/2" = 1'-0"
 KAWNEER TRIFAB 450 - 1 3/4" X 4 1/2"
 INTERIOR STOREFRONT
 1/4" TEMPERED GLASS (CENTER SET)
 QUANTITY: 1



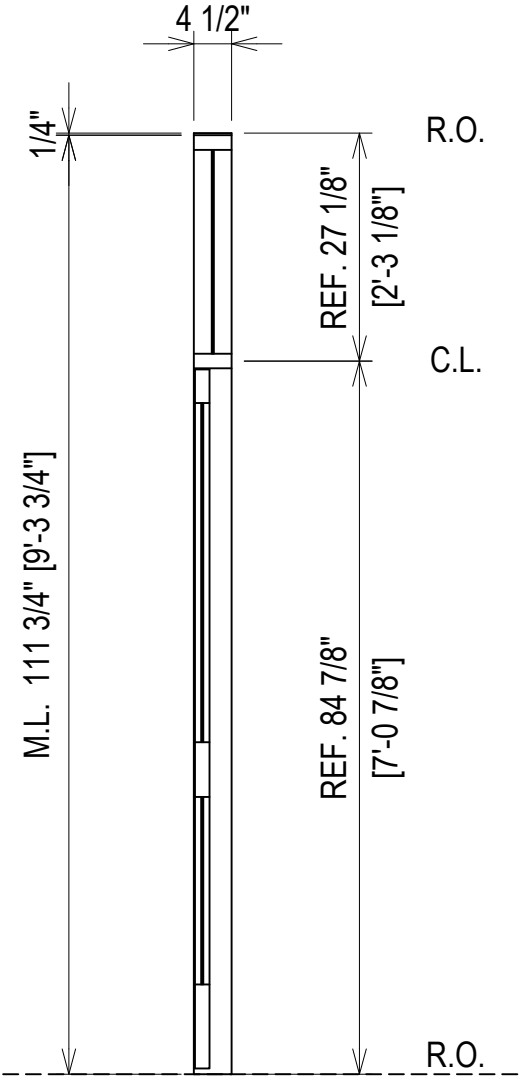
ARCH. REF.: N/A



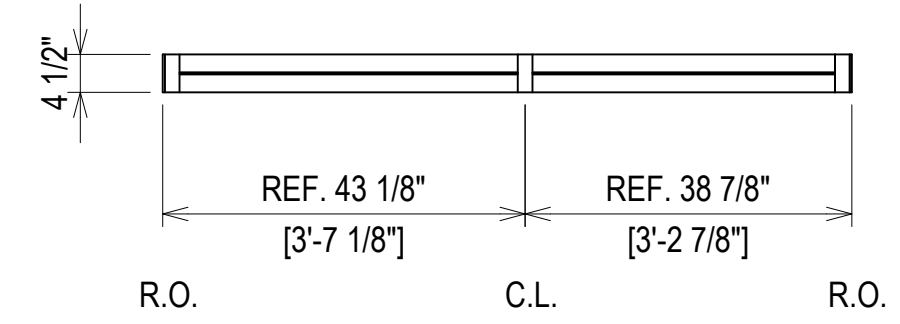
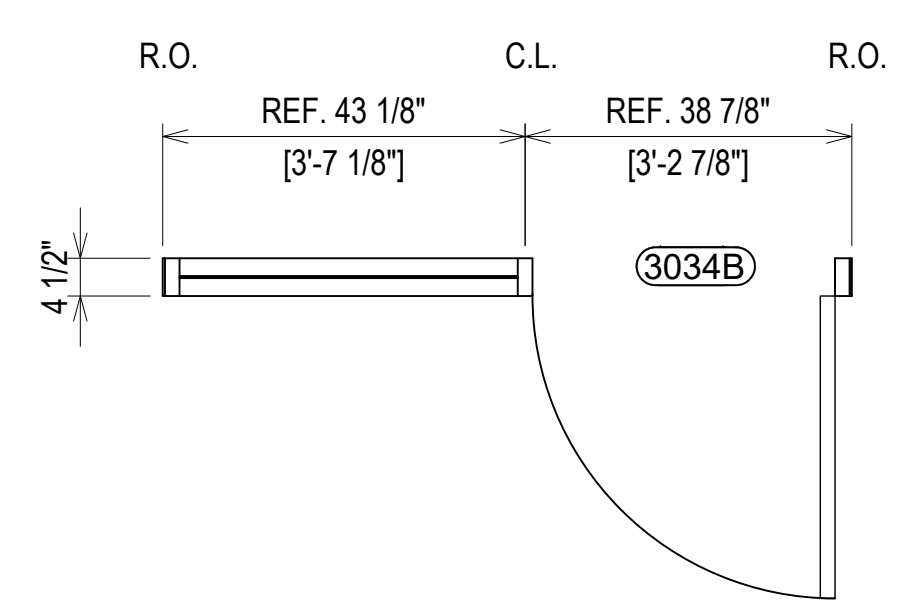
GC: PLEASE COORDINATE THE ROUGH OPENINGS TO THESE SHOP DRAWINGS. PRE MANUFACTURED DOORS DO NOT ALLOW FOR ADJUSTMENT AFTER FABRICATION.



ARCH. REF.: N/A



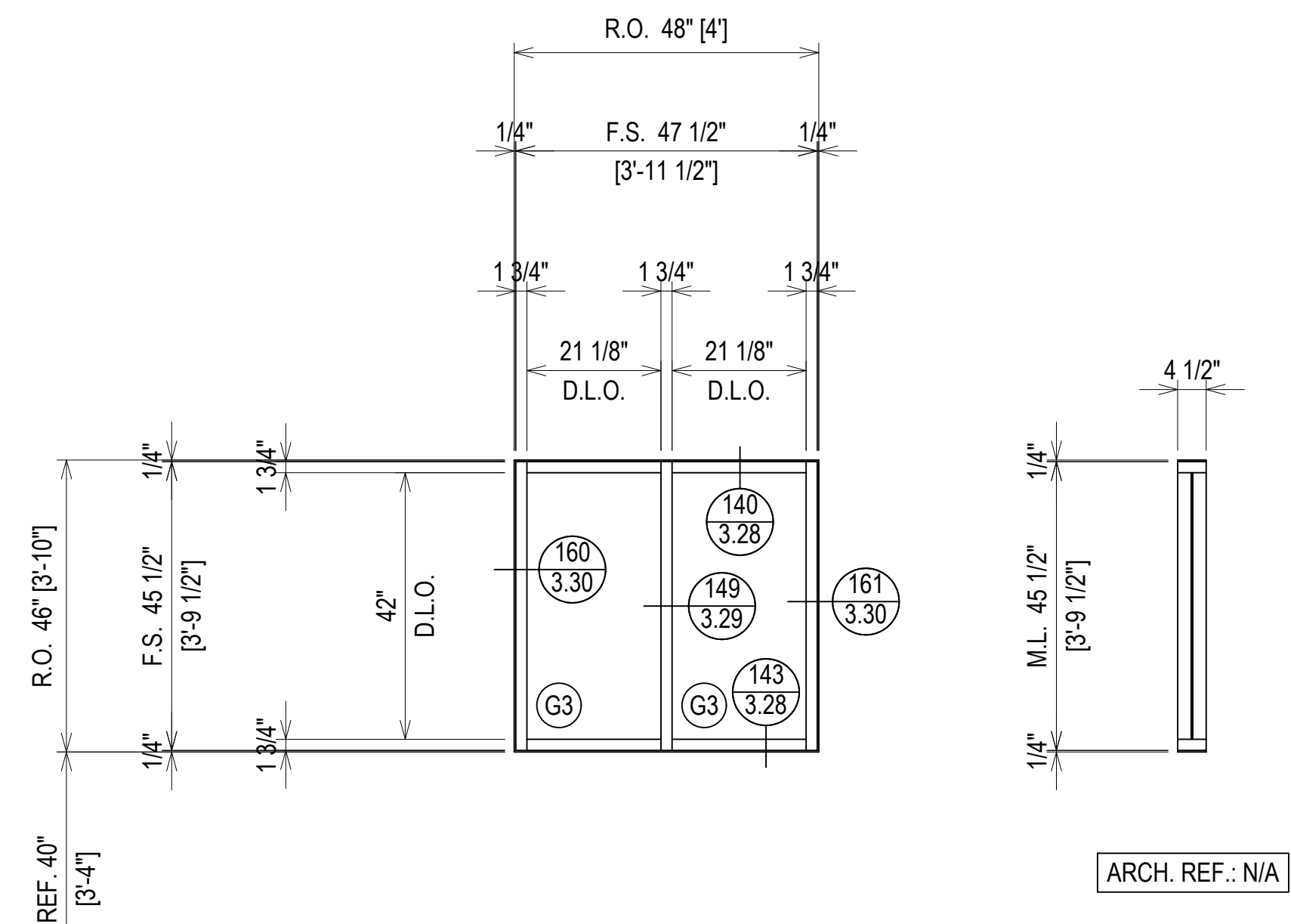
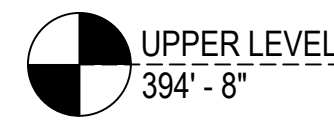
ARCH. REF.: N/A



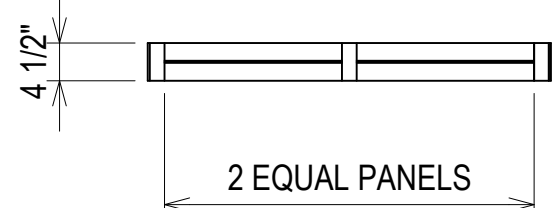
ELEVATION **TT**
 SCALE: 1/2" = 1'-0"
 KAWNEER TRIFAB 450 - 1 3/4" X 4 1/2"
 INTERIOR STOREFRONT
 1/4" TEMPERED GLASS (CENTER SET)
 QUANTITY: 1

ERECTOR / G.C. NOTE:
 PLEASE FIELD VERIFY ALL DIMENSIONS

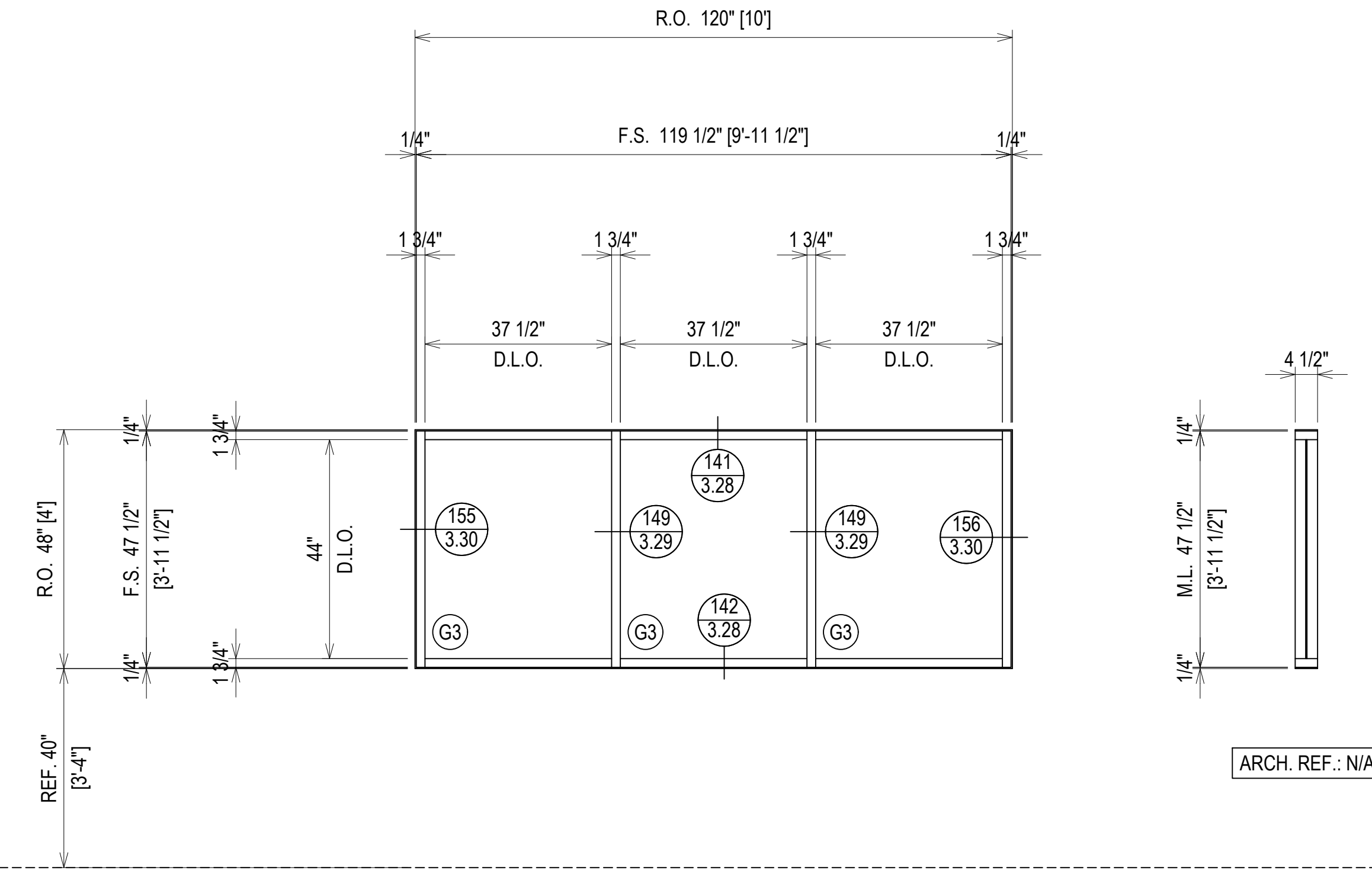
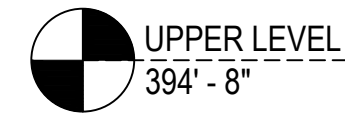
PROJECT:	MCS D ELEMENTARY SCHOOL NO. 8	ERECTOR:	MUSCOGEE GLASS 6922 JAMESSON WAY MIDLAND, GA 31820 (706)-569-9500
LOCATION:	180 NORTHSTAR DRIVE COLUMBUS, GA 31907	1ST SUBMISSION	8.1.22
DRAWN BY:	DJ	1ST REVISION	10.12.22
CHECKED BY:	CJ	2ND REVISION	12.16.22
DATE:	8.1.22	NO	DATE
		DESCRIPTION	DRAWING SUBMISSION



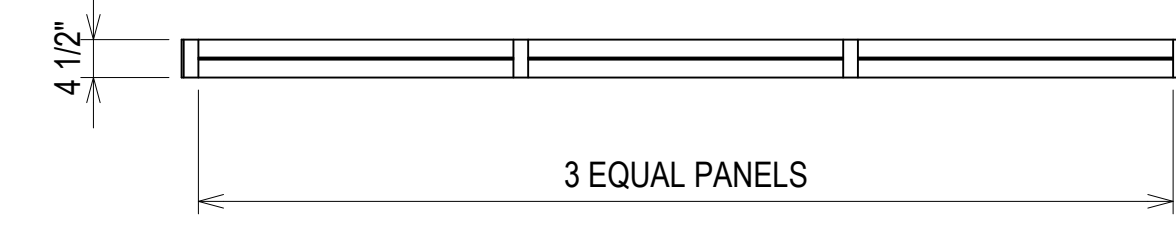
ARCH. REF.: N/A



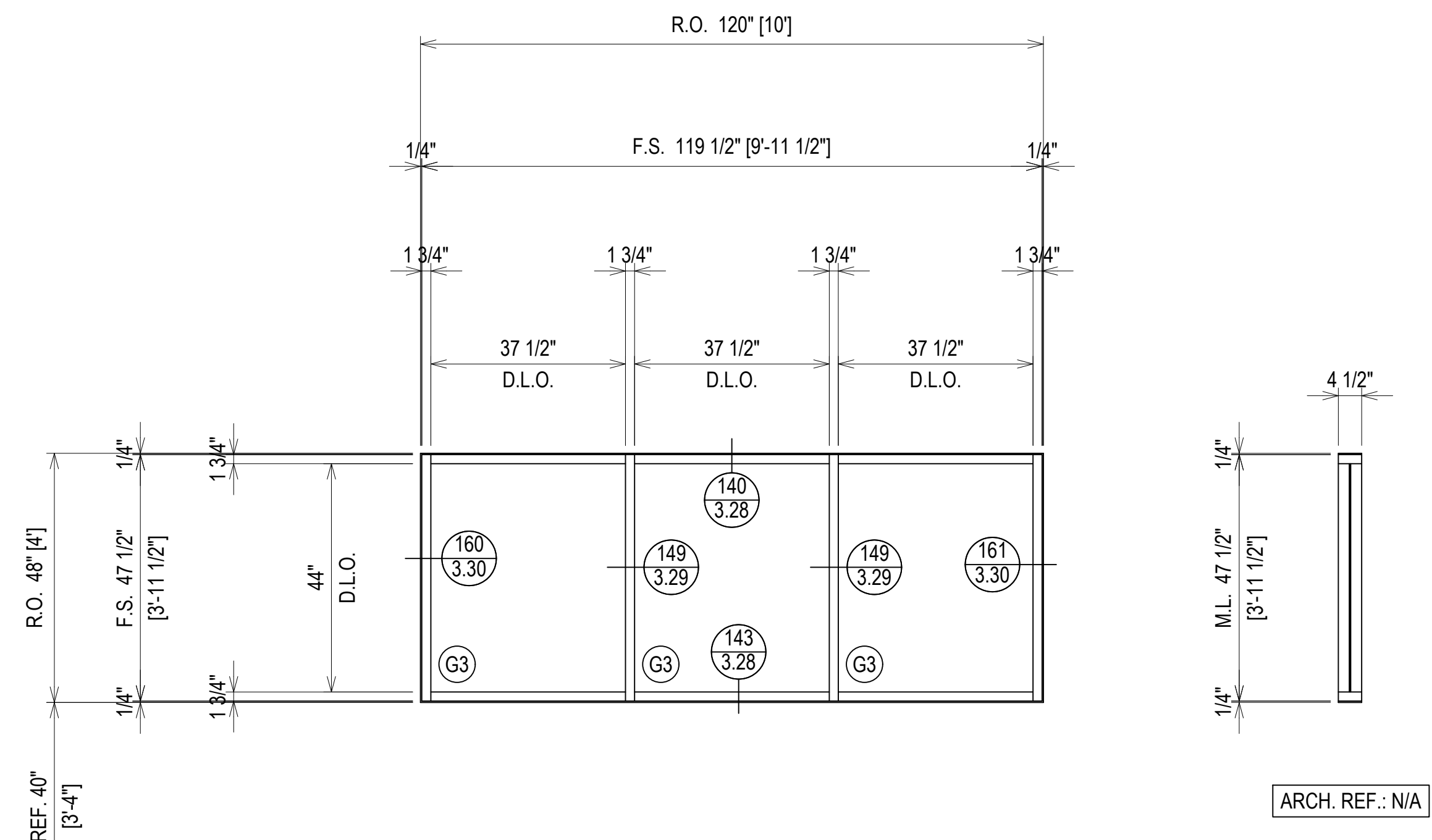
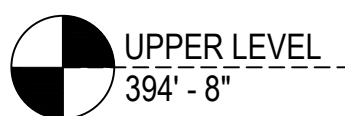
ELEVATION UU
 SCALE: 1/2" = 1'-0"
 KAWNEER TRIFAB 450 - 1 3/4" X 4 1/2"
 INTERIOR STOREFRONT
 1/4" TEMPERED GLASS (CENTER SET)
 QUANTITY: 1



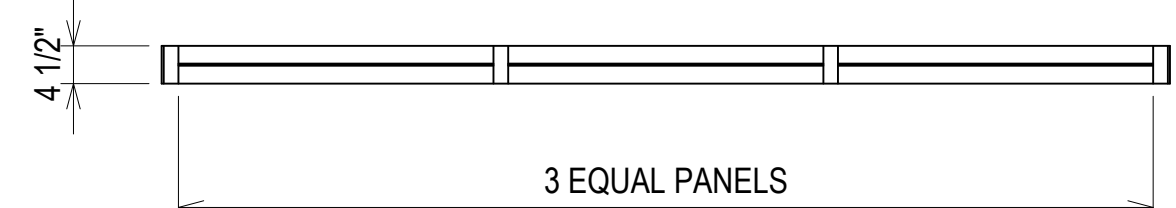
ARCH. REF.: N/A



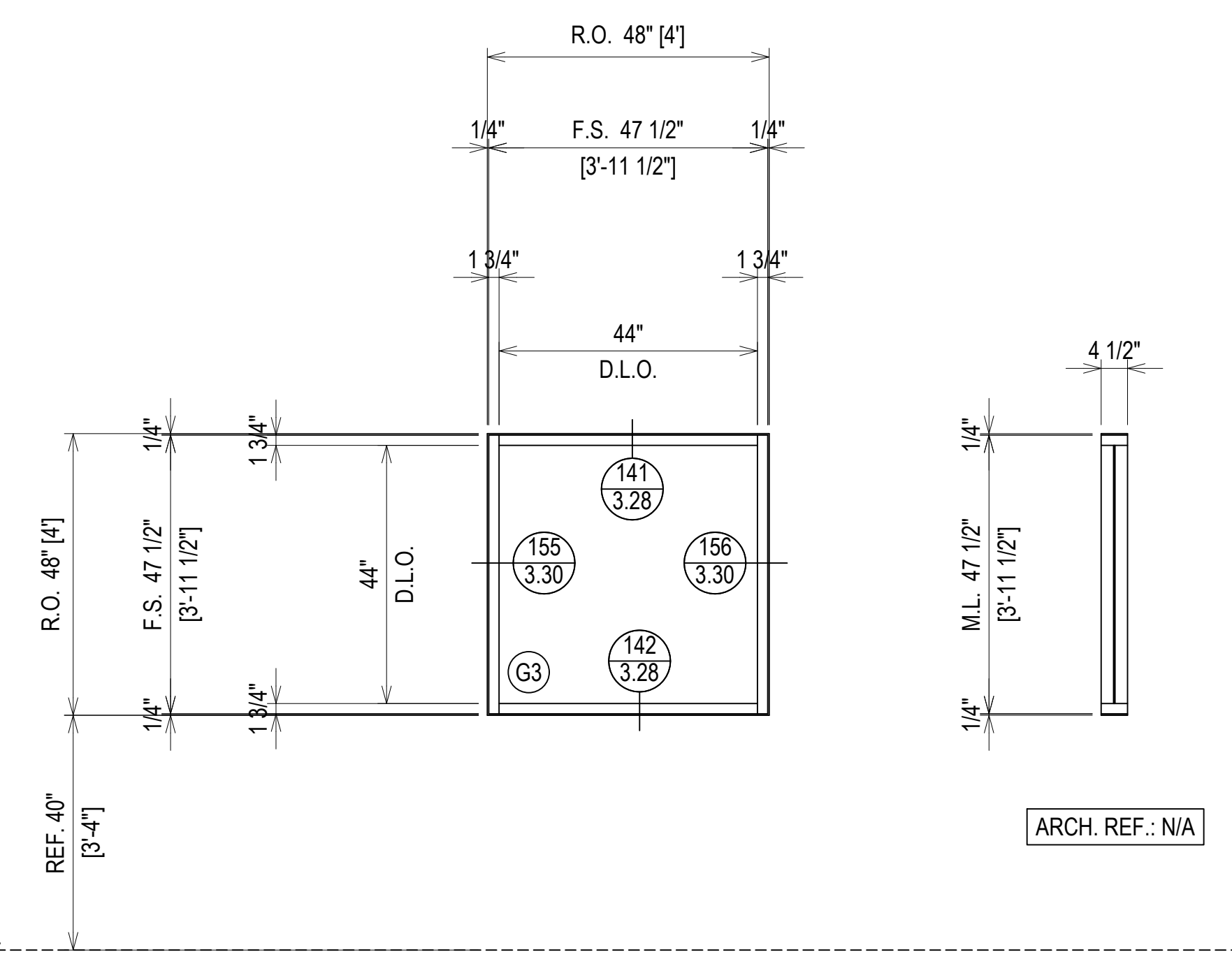
ELEVATION VV
 SCALE: 1/2" = 1'-0"
 KAWNEER TRIFAB 450 - 1 3/4" X 4 1/2"
 INTERIOR STOREFRONT
 1/4" TEMPERED GLASS (CENTER SET)
 QUANTITY: 1



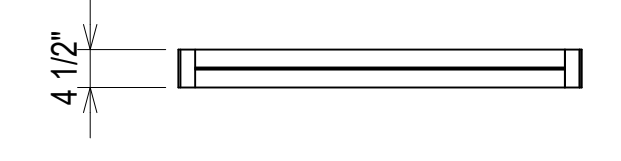
ARCH. REF.: N/A



ELEVATION WW
 SCALE: 1/2" = 1'-0"
 KAWNEER TRIFAB 450 - 1 3/4" X 4 1/2"
 INTERIOR STOREFRONT
 1/4" TEMPERED GLASS (CENTER SET)
 QUANTITY: 1



ARCH. REF.: N/A

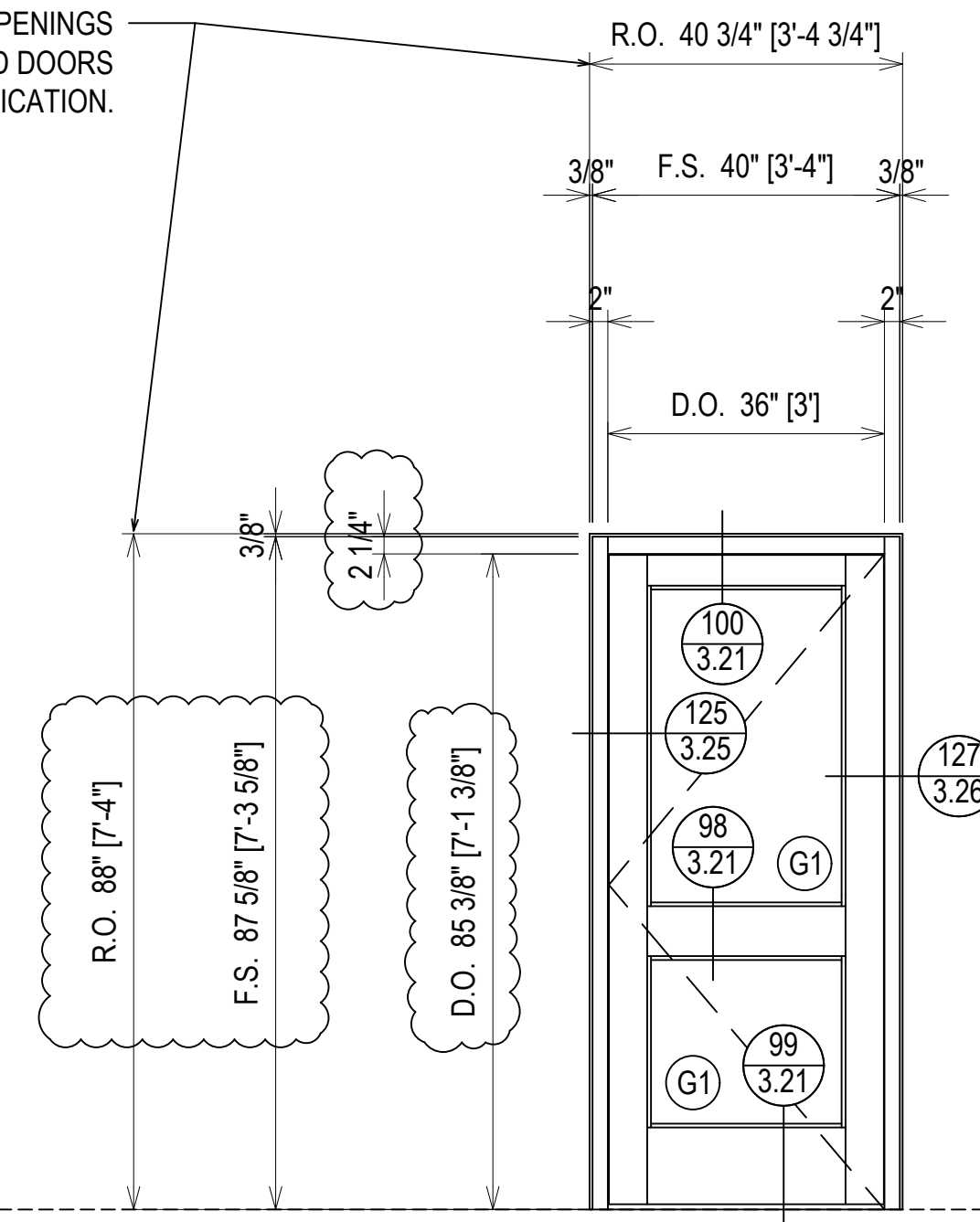


ELEVATION XX
 SCALE: 1/2" = 1'-0"
 KAWNEER TRIFAB 450 - 1 3/4" X 4 1/2"
 INTERIOR STOREFRONT
 1/4" TEMPERED GLASS (CENTER SET)
 QUANTITY: 2

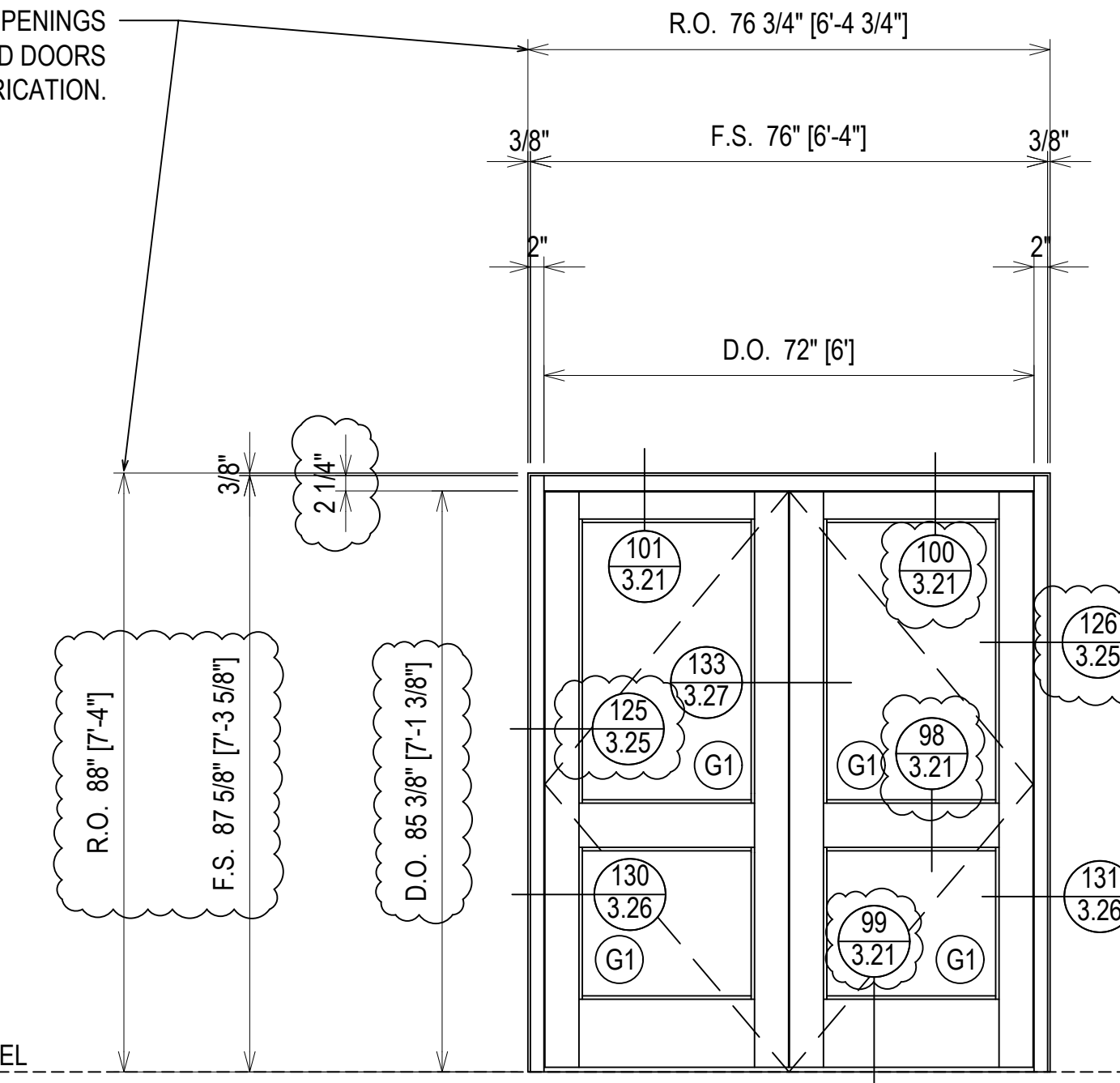
ERECTOR / G.C. NOTE:
 PLEASE FIELD VERIFY ALL DIMENSIONS

PROJECT:	MCSO ELEMENTARY SCHOOL NO. 8	ERECTOR:	MUSCOGEE GLASS 6922 JAMESSON WAY MIDLAND, GA 31820 (706)-569-9500
LOCATION:	180 NORTHSTAR DRIVE COLUMBUS, GA 31907	1ST SUBMISSION	8.1.22
DRAWN BY:	DJ	1ST REVISION	10.12.22
CHECKED BY:	CJ	2ND REVISION	12.16.22
DATE:	8.1.22	DESCRIPTION	DATE
	8.1.22	DRAWING SUBMISSION	

GC: PLEASE COORDINATE THE ROUGH OPENINGS TO THESE SHOP DRAWINGS. PRE MANUFACTURED DOORS DO NOT ALLOW FOR ADJUSTMENT AFTER FABRICATION.



GC: PLEASE COORDINATE THE ROUGH OPENINGS TO THESE SHOP DRAWINGS. PRE MANUFACTURED DOORS DO NOT ALLOW FOR ADJUSTMENT AFTER FABRICATION.

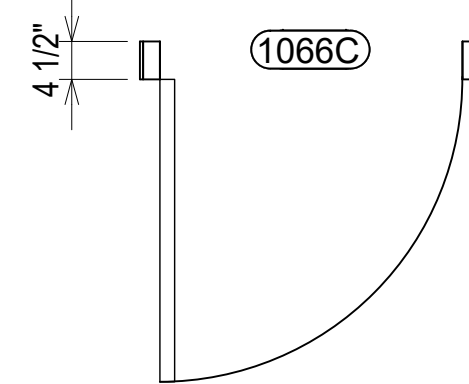


ARCH. REF.: N/A

ARCH. REF.: N/A

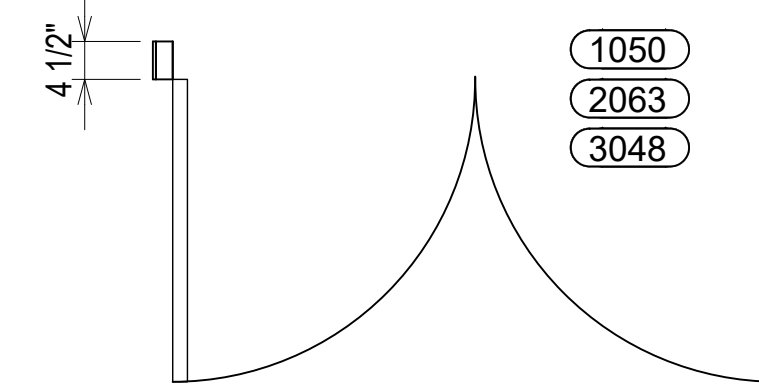
ELEVATION ZZ

SCALE: 1/2" = 1'-0"
KAWNEER TRIFAB 451T - 2" X 4 1/2"
EXTERIOR STOREFRONT
1" INSULATED GLASS (CENTER SET)
QUANTITY: 1

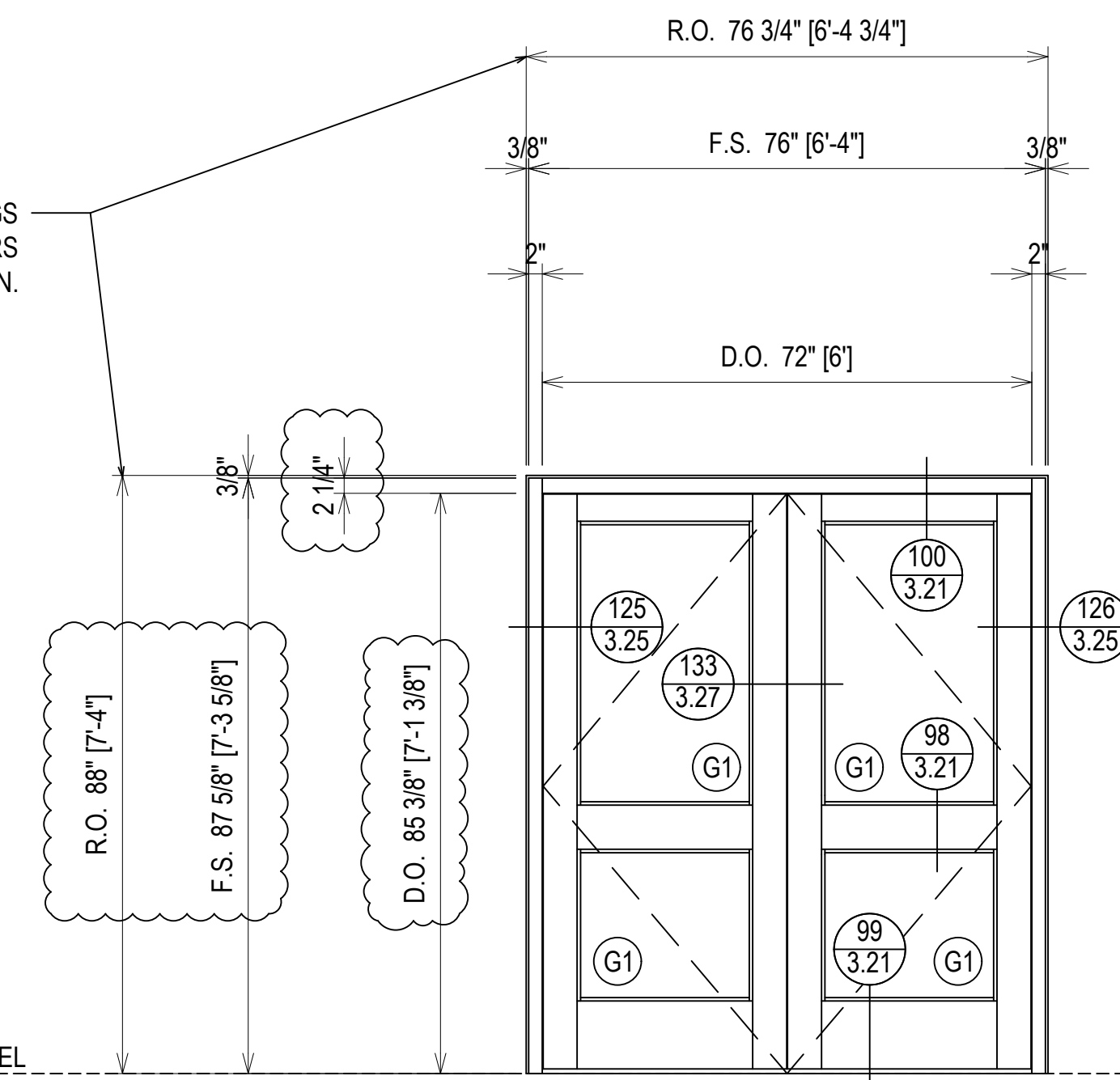


ELEVATION 2A

SCALE: 1/2" = 1'-0"
KAWNEER TRIFAB 451T - 2" X 4 1/2"
EXTERIOR STOREFRONT
1" INSULATED GLASS (CENTER SET)
QUANTITY: 3



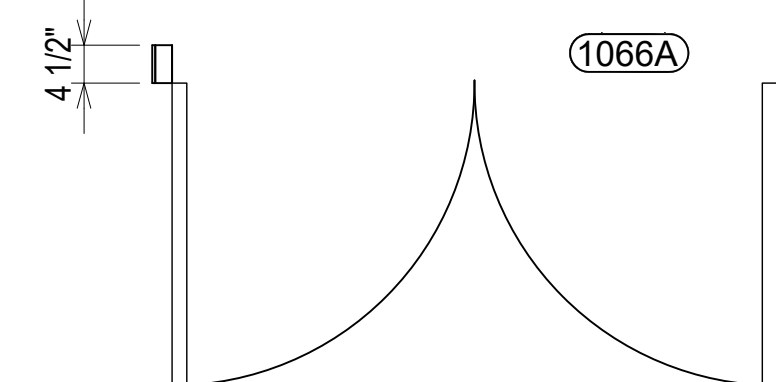
GC: PLEASE COORDINATE THE ROUGH OPENINGS TO THESE SHOP DRAWINGS. PRE MANUFACTURED DOORS DO NOT ALLOW FOR ADJUSTMENT AFTER FABRICATION.



ARCH. REF.: N/A

ELEVATION 2B

SCALE: 1/2" = 1'-0"
KAWNEER TRIFAB 451T - 2" X 4 1/2"
EXTERIOR STOREFRONT
1" INSULATED GLASS (CENTER SET)
QUANTITY: 1



1ST SUBMISSION	8.1.22
1ST REVISION	10.12.22
2ND REVISION	12.16.22
NO	NO
DESCRIPTION	DATE
DRAWING SUBMISSION	

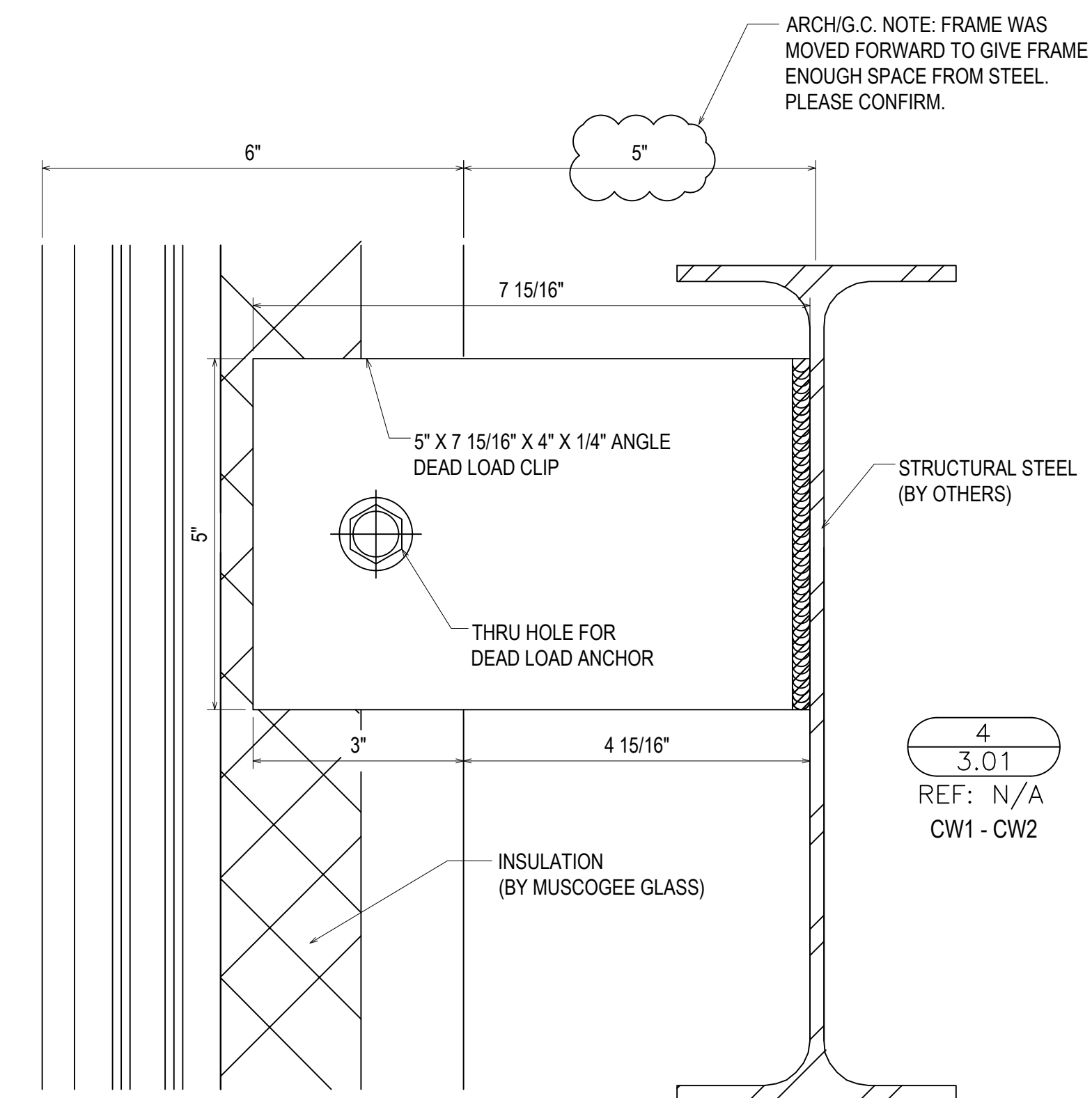
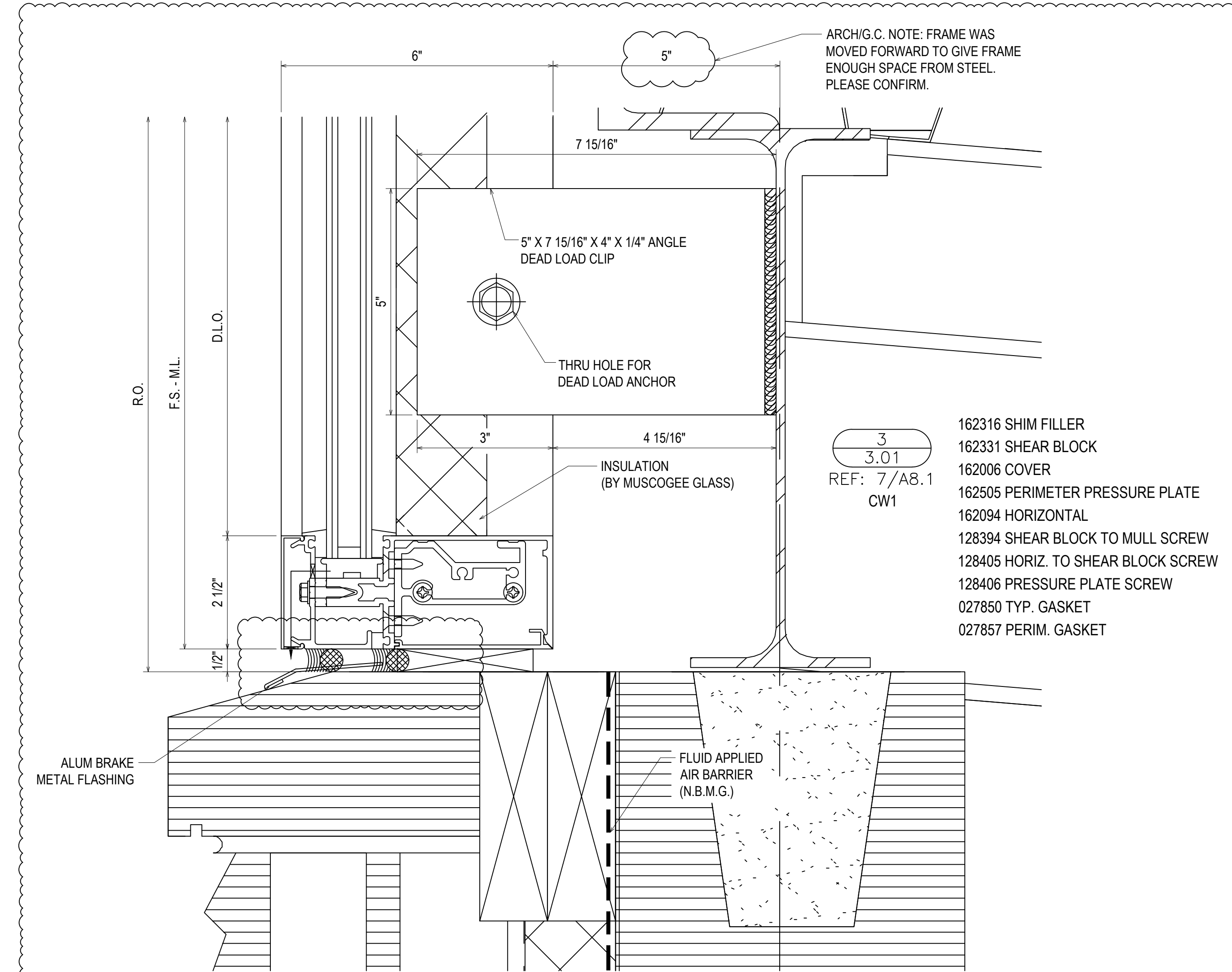
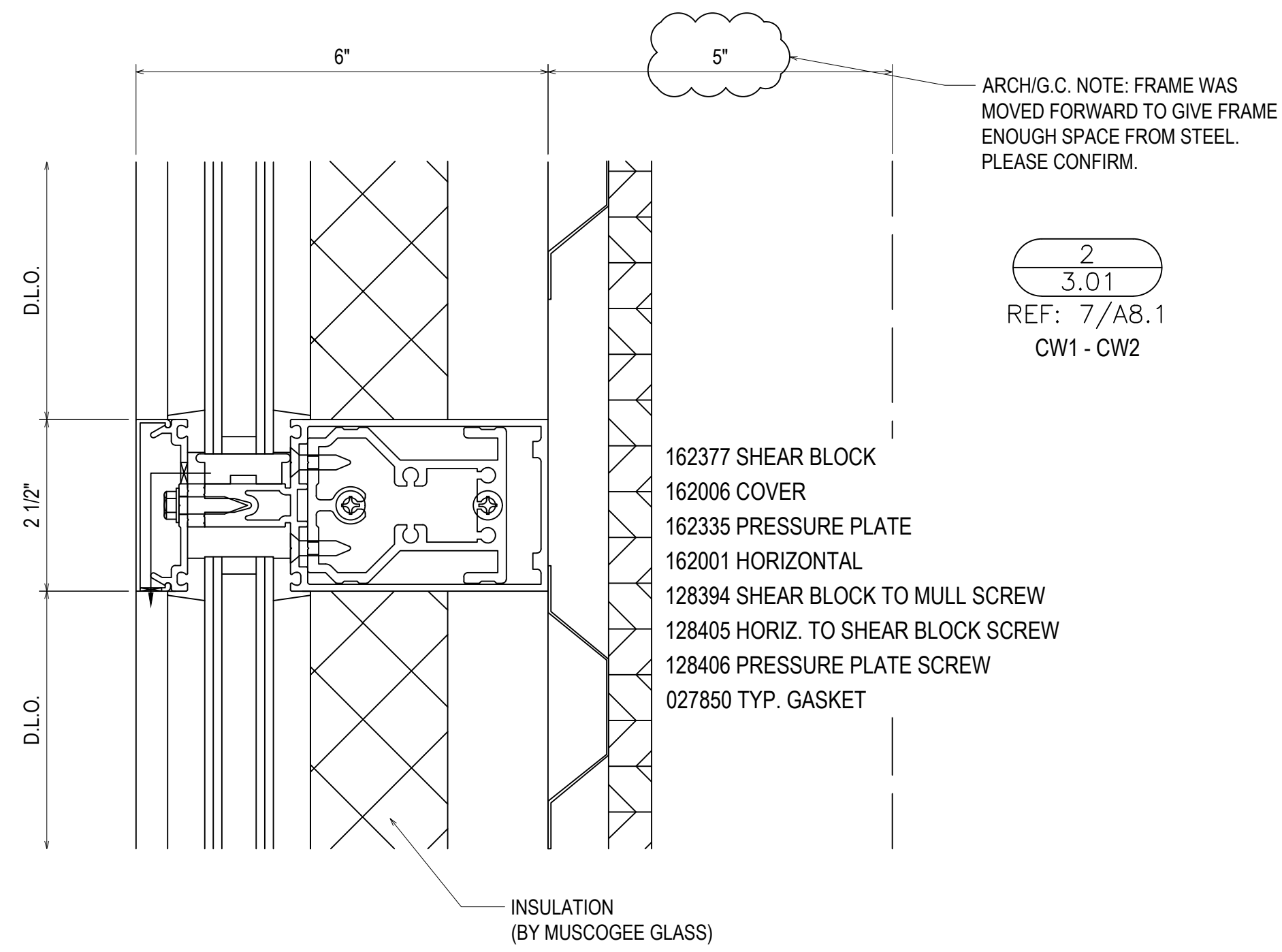
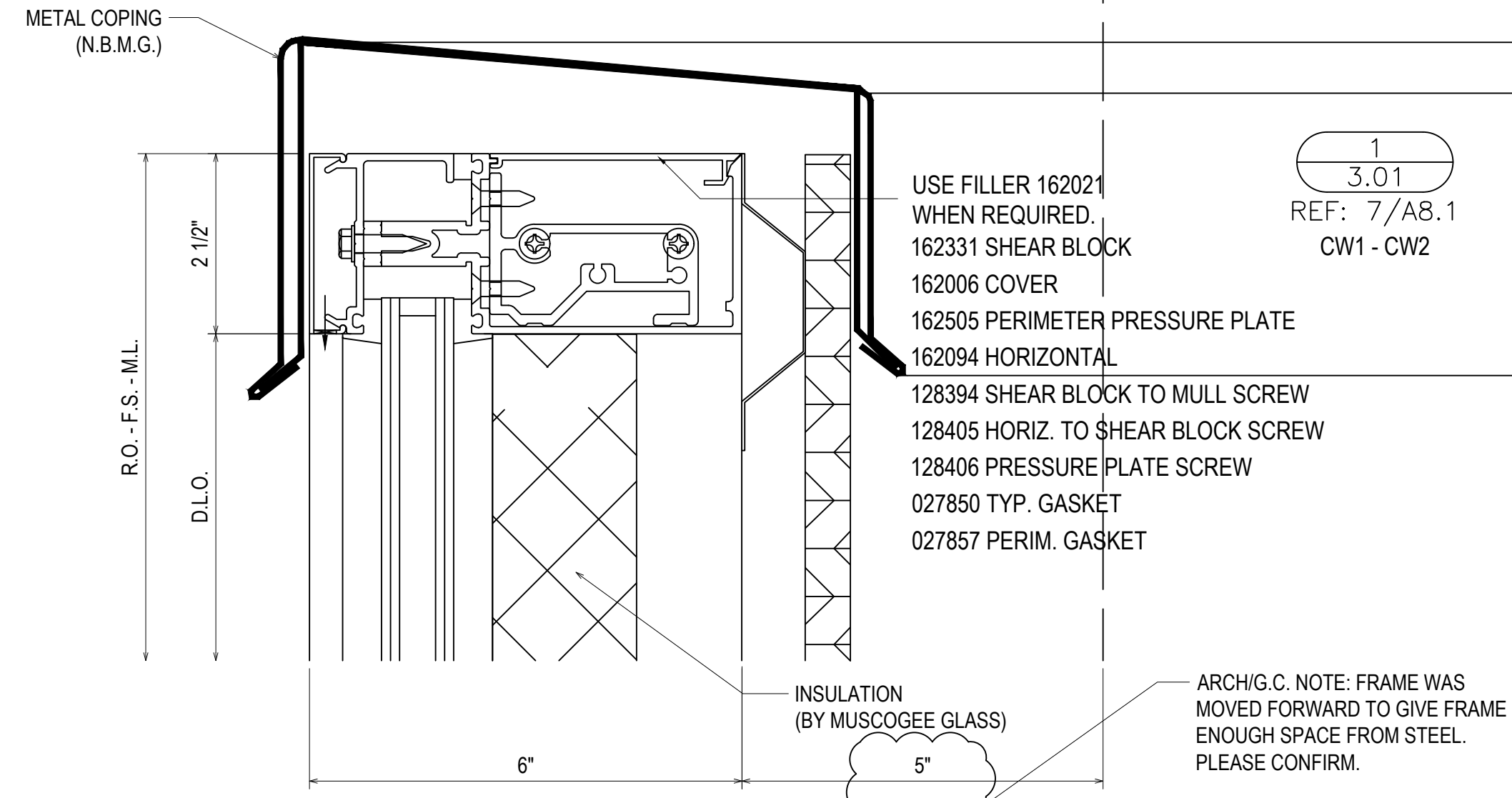
ERECTOR:
MUSCOGEE GLASS
6922 JAMESSON WAY
MIDLAND, GA 31820
(706)-569-9500

PROJECT: MCSD ELEMENTARY SCHOOL NO. 8

LOCATION: 180 NORTHSTAR DRIVE
COLUMBUS, GA 31907

DRAWN BY:	DATE:
DJ	8.1.22
CHECKED BY:	DATE:
CJ	8.1.22

ERECTOR / G.C. NOTE:
PLEASE FIELD VERIFY ALL DIMENSIONS



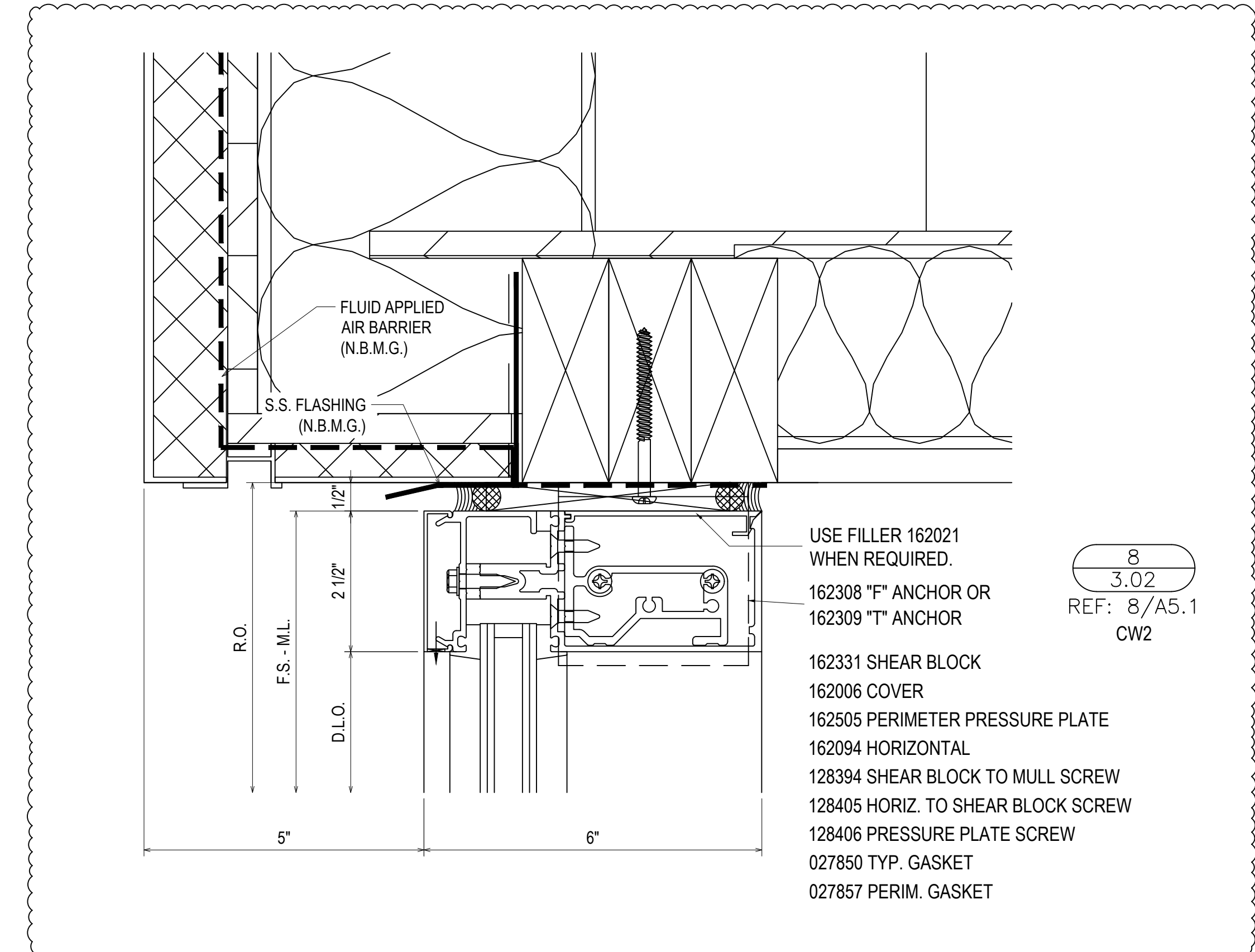
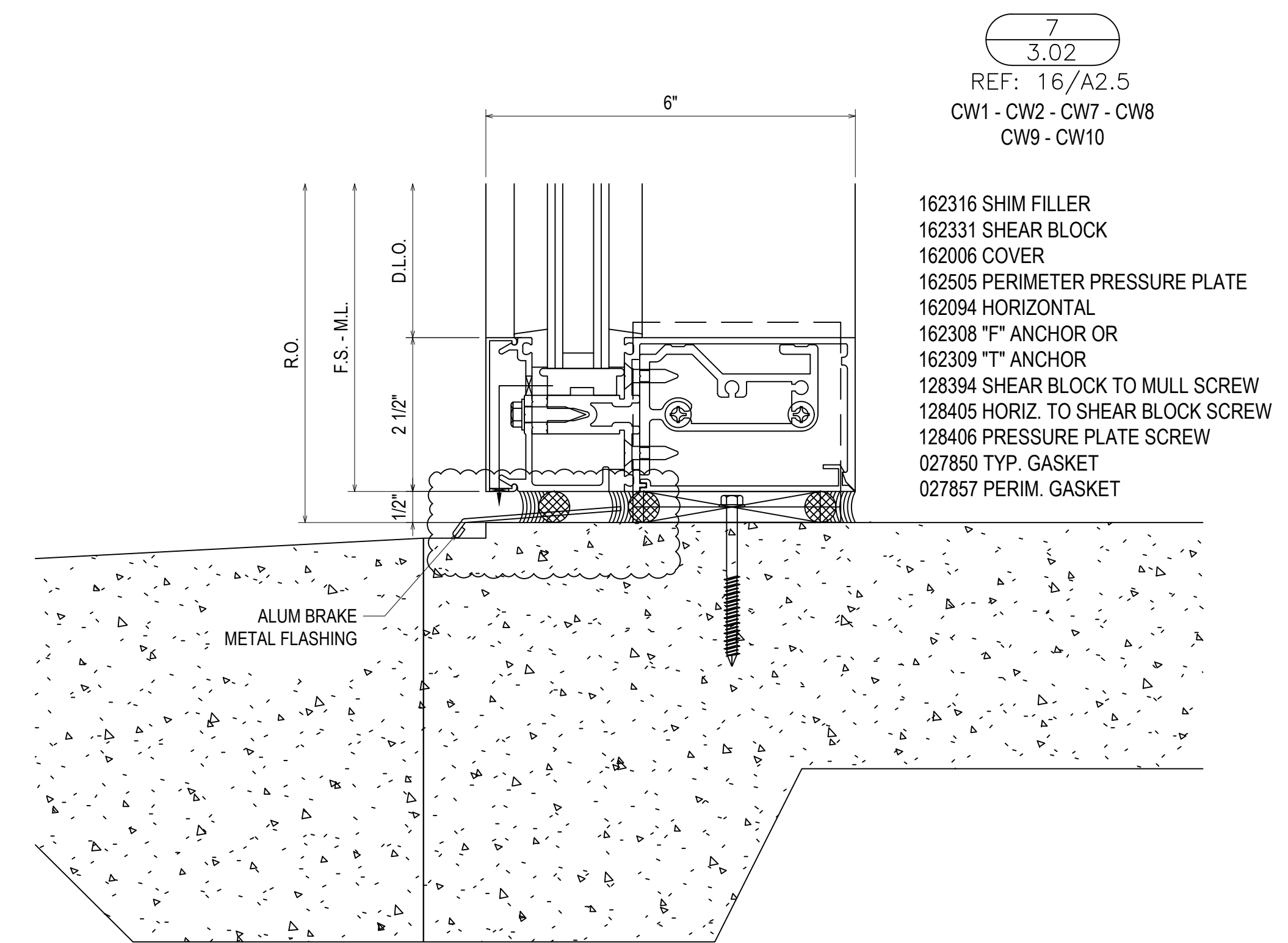
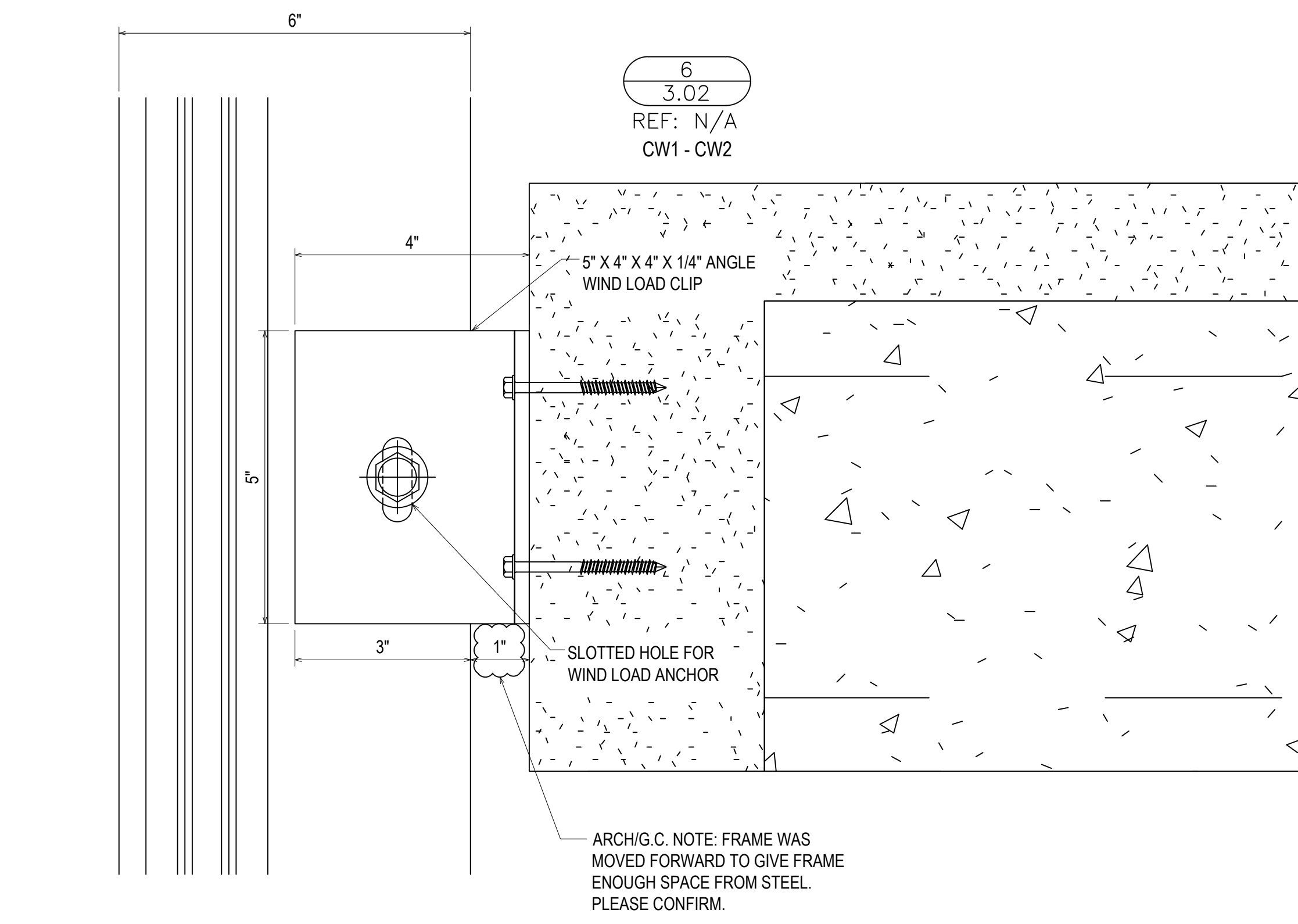
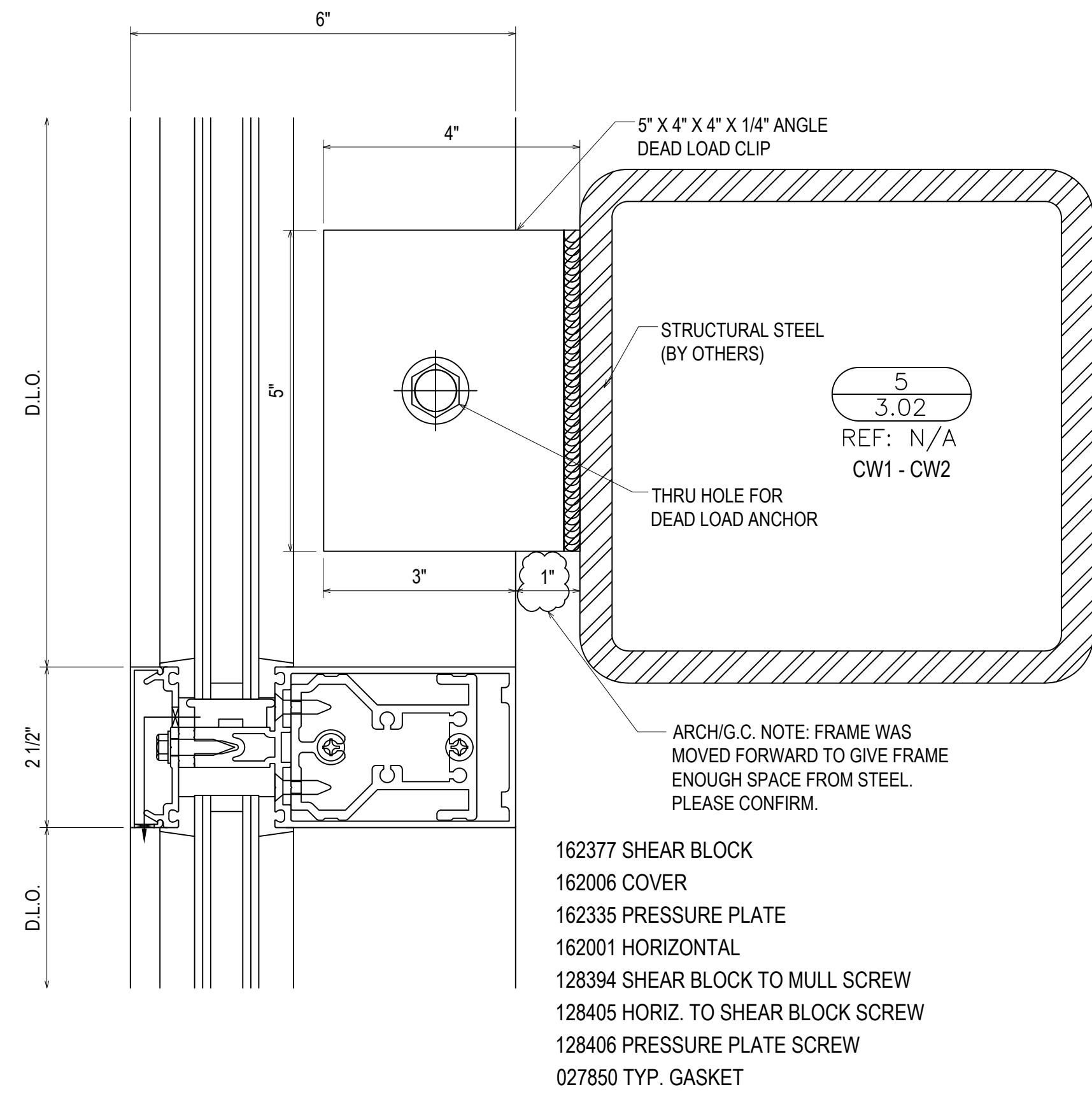
8.1.22	1ST SUBMISSION
10.12.22	1ST REVISION
12.16.22	2ND REVISION
NO	DESCRIPTION
	DATE
	DRAWING SUBMISSION

ERECTOR:
MUSCOGEE GLASS
6922 JAMESSON WAY
MIDLAND, GA 31820
(706)-569-9500

PROJECT: MCSD ELEMENTARY SCHOOL NO. 8

LOCATION: 180 NORTHSTAR DRIVE
COLUMBUS, GA 31907

DRAWN BY: DJ	DATE: 8.1.22
CHECKED BY: CJ	DATE: 8.1.22



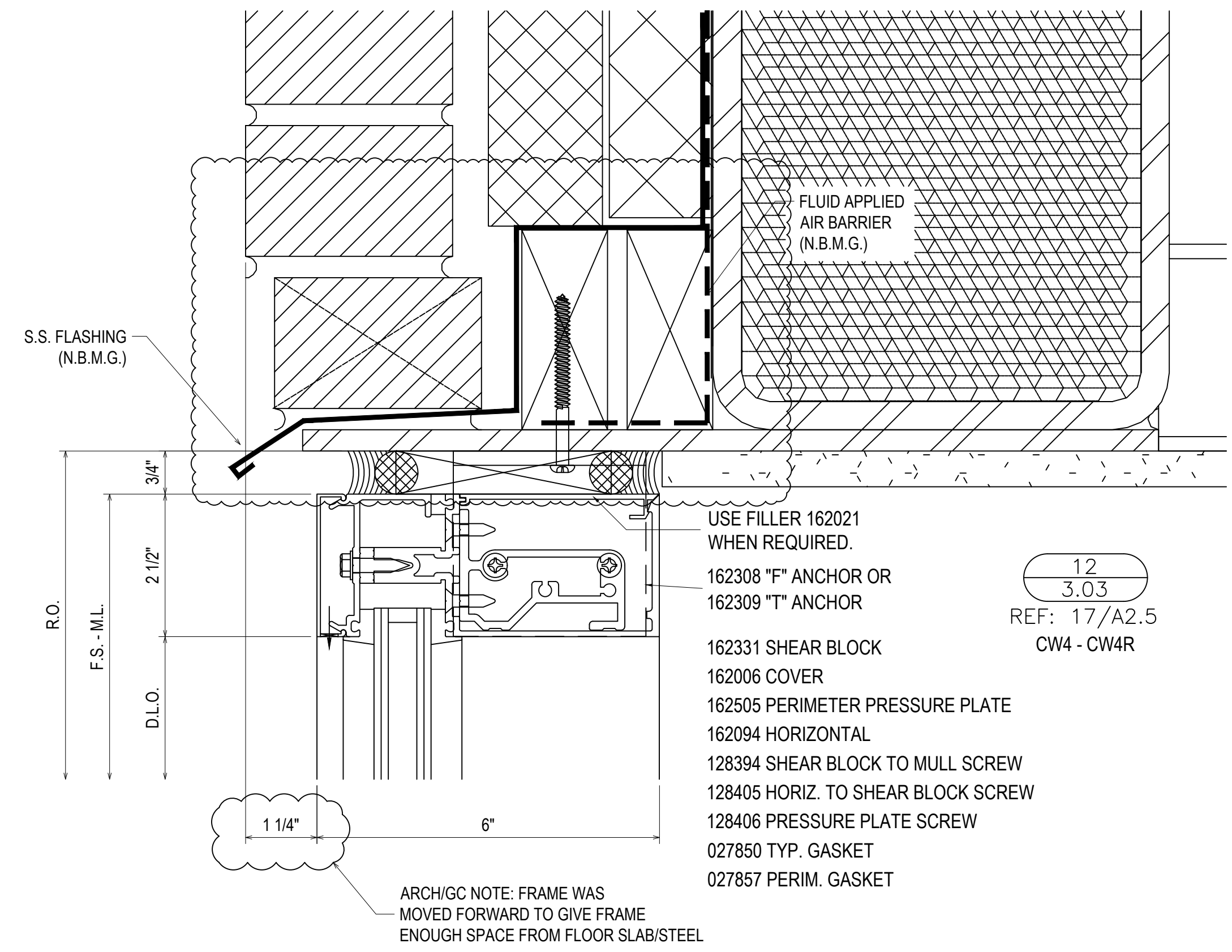
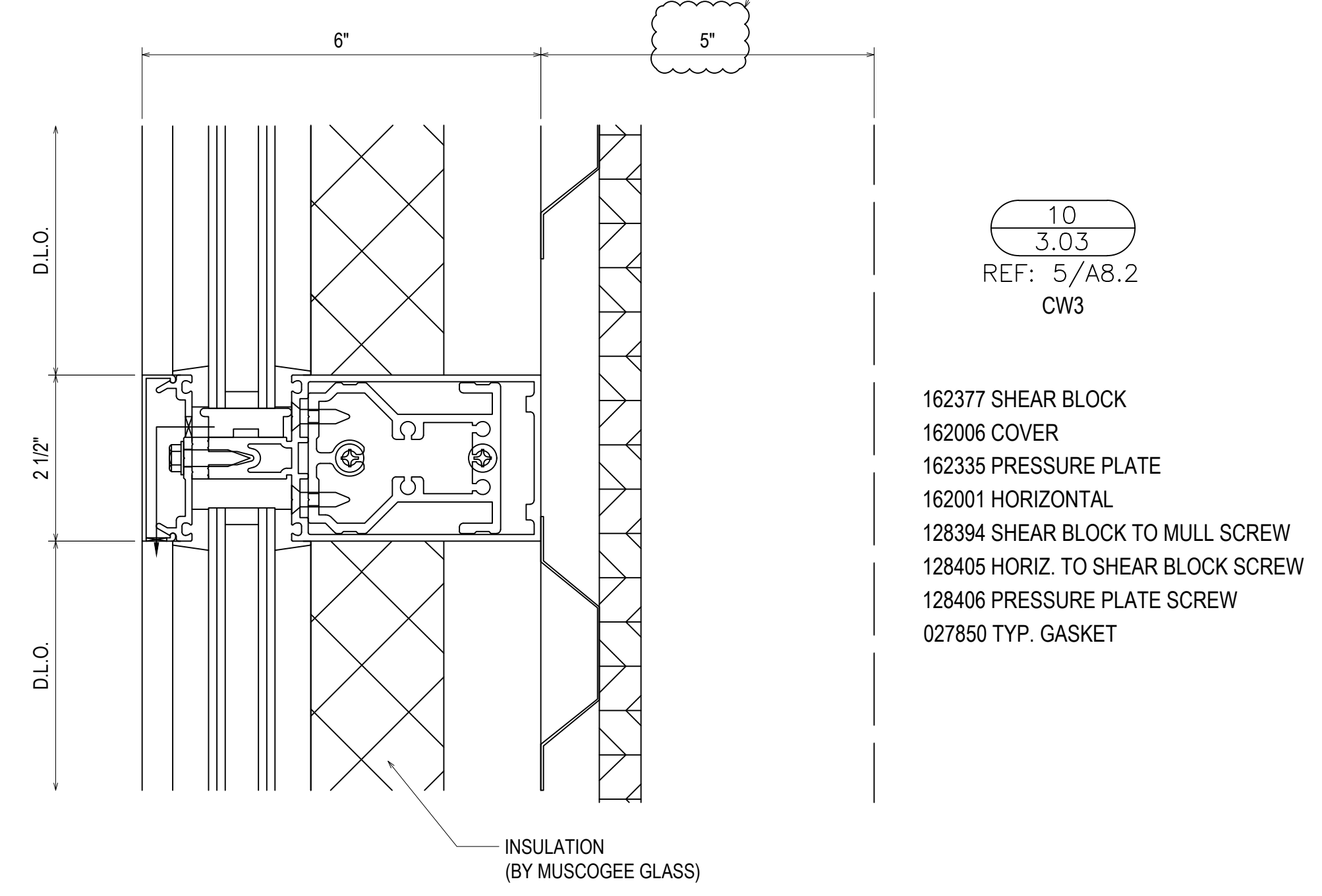
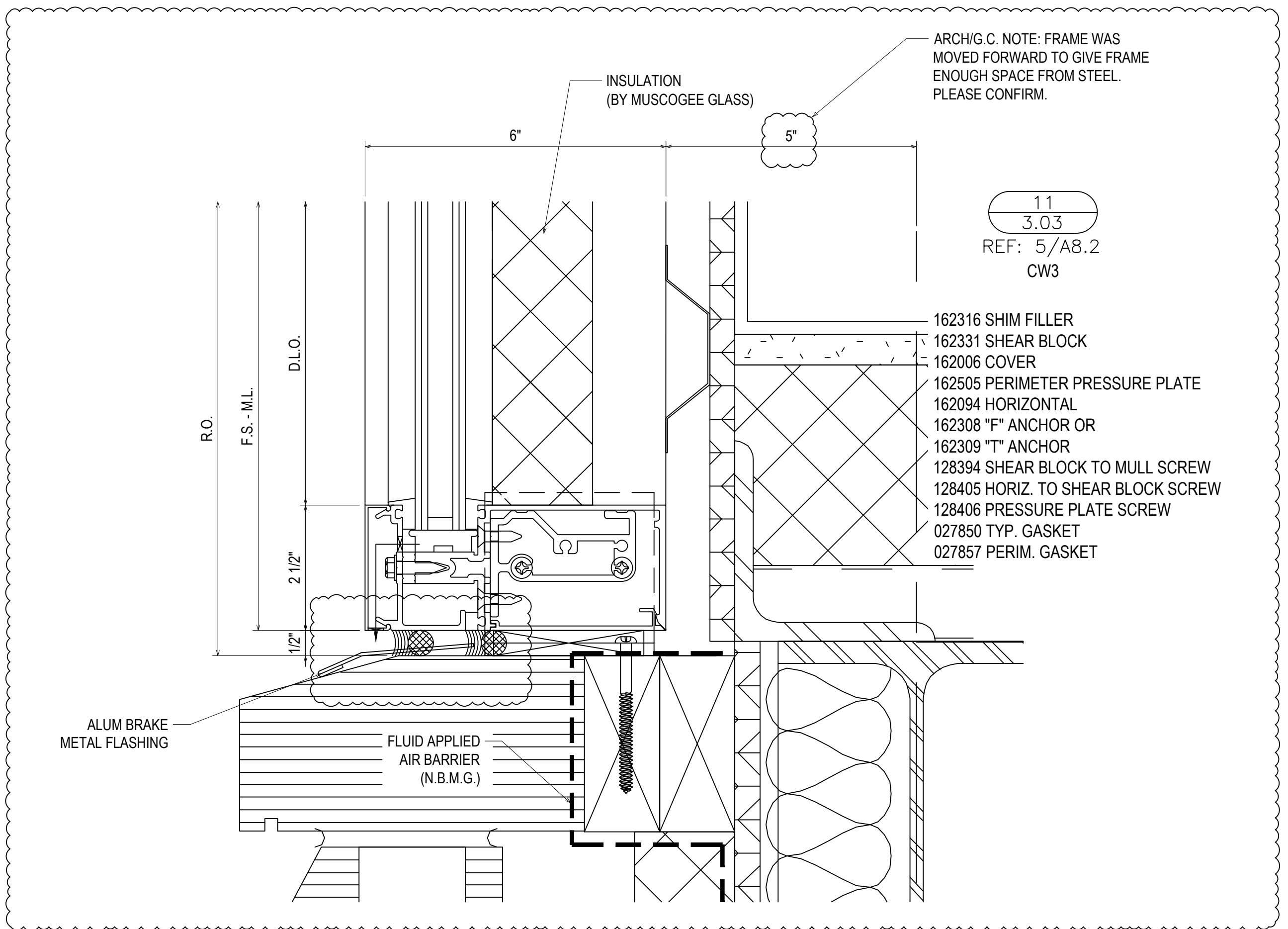
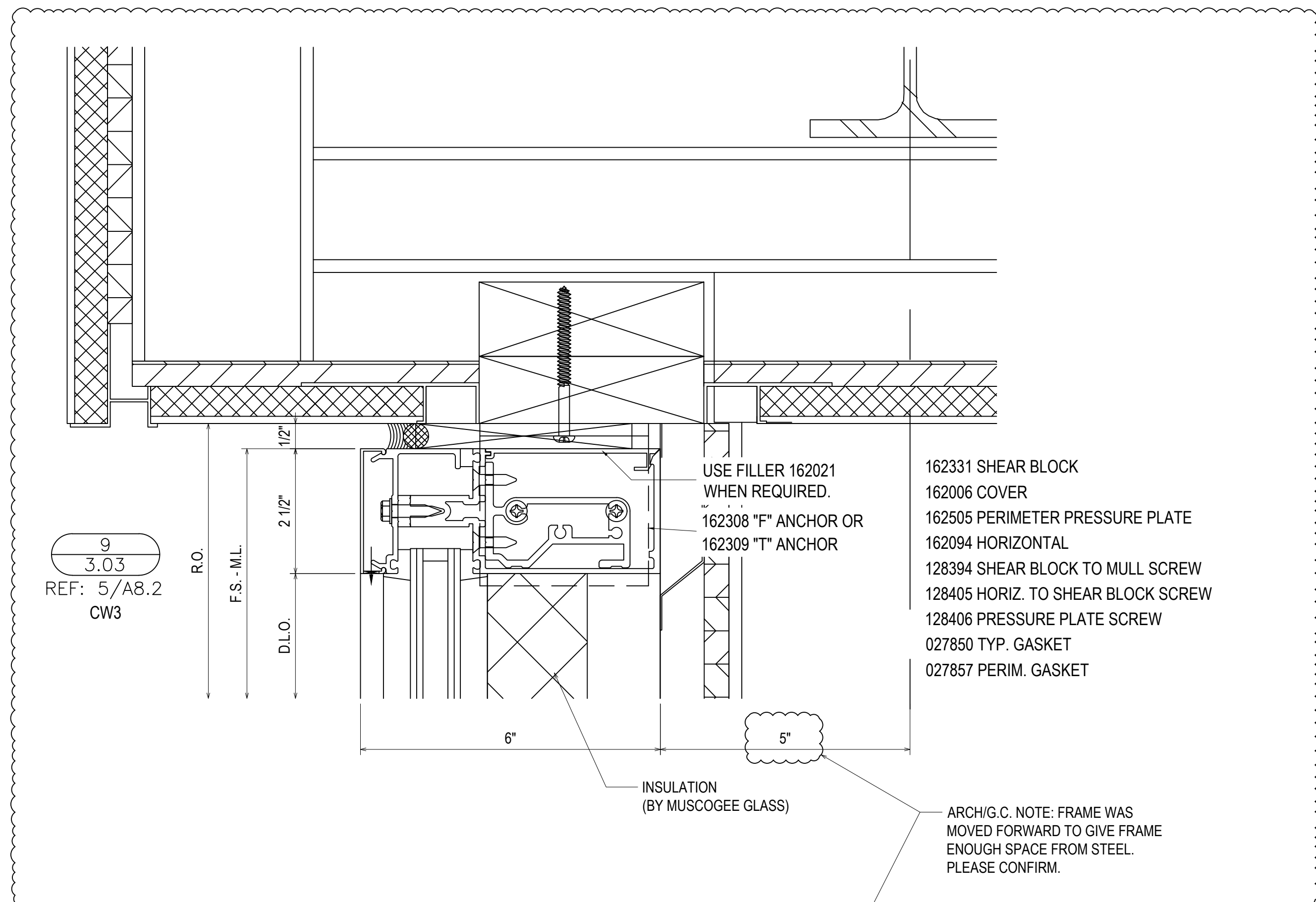
1ST SUBMISSION	8.1.22
1ST REVISION	10.12.22
2ND REVISION	12.16.22
DESCRIPTION	DATE
NO	
DRAWING SUBMISSION	

ERECTOR:
MUSCOGEE GLASS
6922 JAMESSON WAY
MIDLAND, GA 31820
(706)-569-9500

PROJECT: MCSD ELEMENTARY SCHOOL NO. 8

LOCATION: 180 NORTHSTAR DRIVE
COLUMBUS, GA 31907

DRAWN BY:	DATE:
DJ	8.1.22
CHECKED BY:	DATE:
CJ	8.1.22



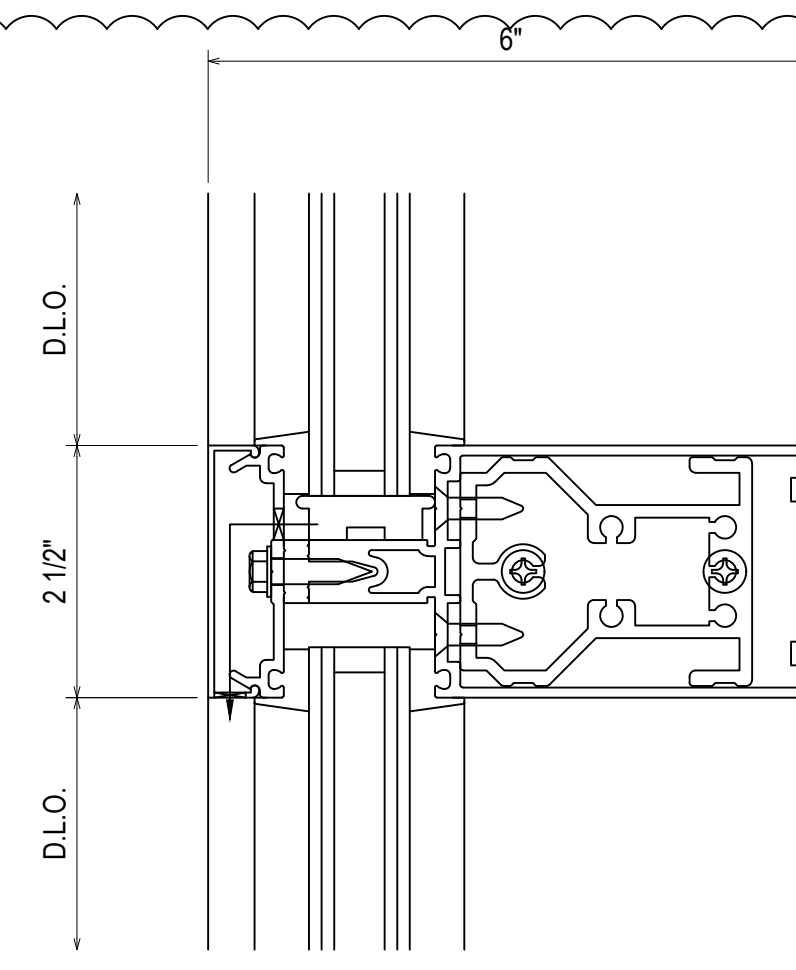
1ST SUBMISSION	8.1.22
1ST REVISION	10.12.22
2ND REVISION	12.16.22
NO	DATE
DRAWING SUBMISSION	

ERECTOR:
MUSCOGEE GLASS
 6922 JAMESSON WAY
 MIDLAND, GA 31820
 (706)-569-9500

PROJECT: MCSD ELEMENTARY SCHOOL NO. 8

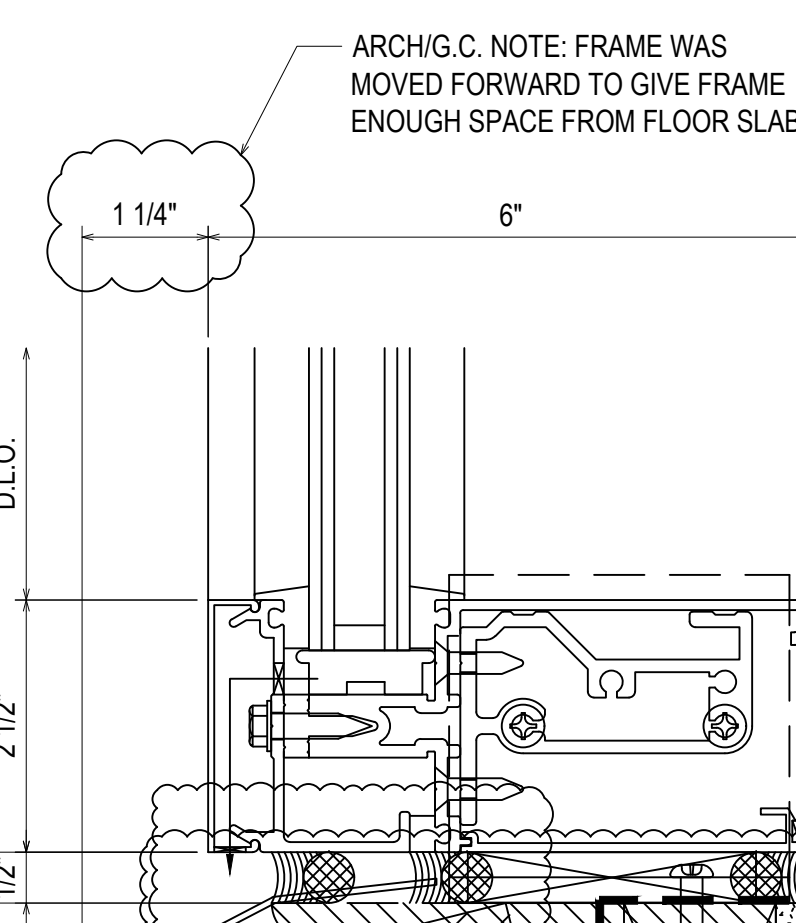
LOCATION: 180 NORTHSTAR DRIVE
 COLUMBUS, GA 31907

DRAWN BY:	DATE:
DJ	8.1.22
CHECKED BY:	DATE:
CJ	8.1.22



13
3.04
REF: N/A
TYPICAL HORIZONTAL

- 162377 SHEAR BLOCK
- 162006 COVER
- 162335 PRESSURE PLATE
- 162001 HORIZONTAL
- 128394 SHEAR BLOCK TO MULL SCREW
- 128405 HORIZ. TO SHEAR BLOCK SCREW
- 128406 PRESSURE PLATE SCREW
- 027850 TYP. GASKET
- 027857 PERIM. GASKET



ARCH/G.C. NOTE: FRAME WAS MOVED FORWARD TO GIVE FRAME ENOUGH SPACE FROM FLOOR SLAB

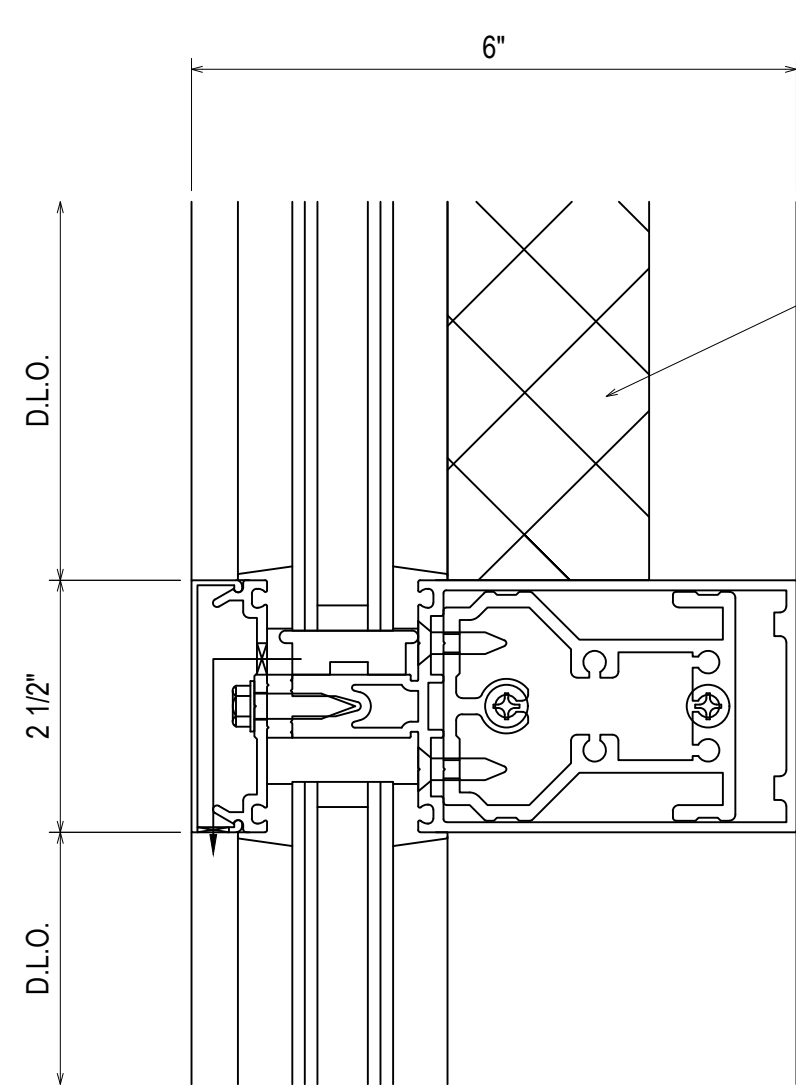
- 162316 SHIM FILLER
- 162331 SHEAR BLOCK
- 162006 COVER
- 162505 PERIMETER PRESSURE PLATE
- 162094 HORIZONTAL
- 162308 "F" ANCHOR OR
- 162309 "T" ANCHOR
- 128394 SHEAR BLOCK TO MULL SCREW
- 128405 HORIZ. TO SHEAR BLOCK SCREW
- 128406 PRESSURE PLATE SCREW
- 027850 TYP. GASKET
- 027857 PERIM. GASKET

14
3.04
REF: 18/A2.5
CW4 - CW4R

ARCH NOTE: AN ALTERNATE ANCHOR DETAIL IS REQUIRED AT THE SILL OF CW4/CW4R. AS DRAWN, THE WEIGHT OF THE FRAME WOULD BE RESTING ON 2X4 BLOCKING AND A BRICK RUNLOCK. THE WEIGHT OF THE CURTAIN WALL WILL BE TOO MUCH FOR THESE TO HANDLE. CONSIDER A STRUCTURAL ANGLE AS DRAWN IN DASHED LINES

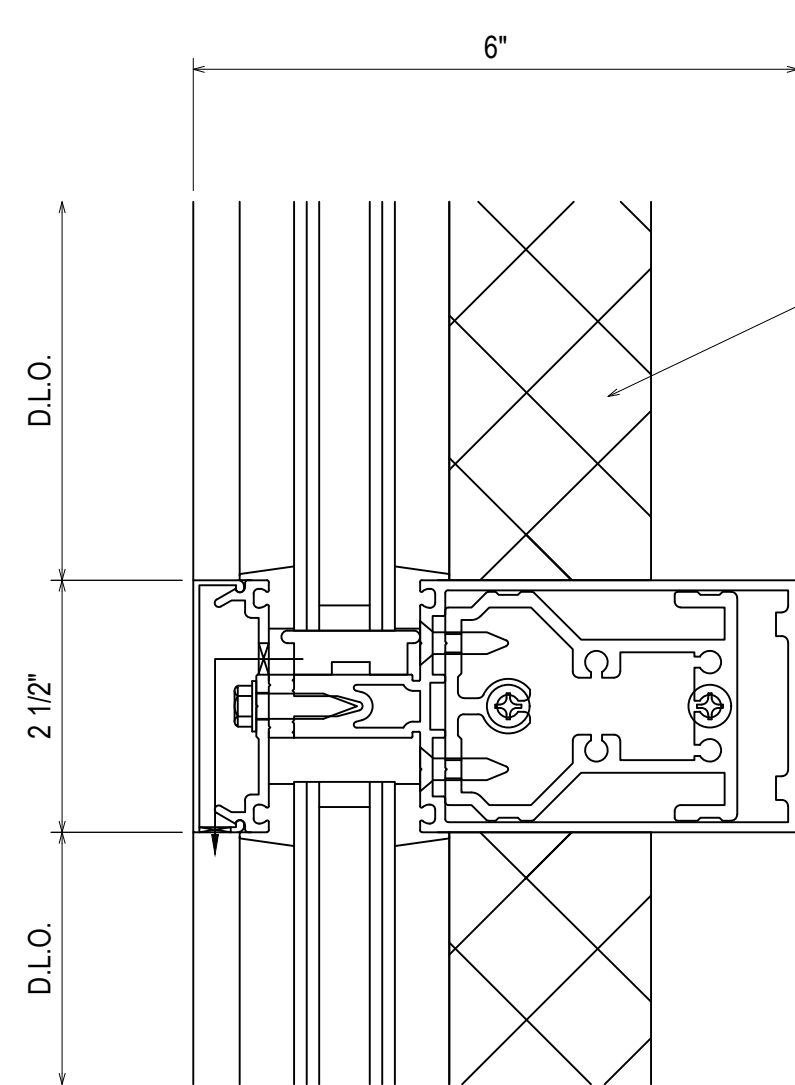
ALUM BRAKE METAL FLASHING

FLUID APPLIED AIR BARRIER (N.B.M.G.)



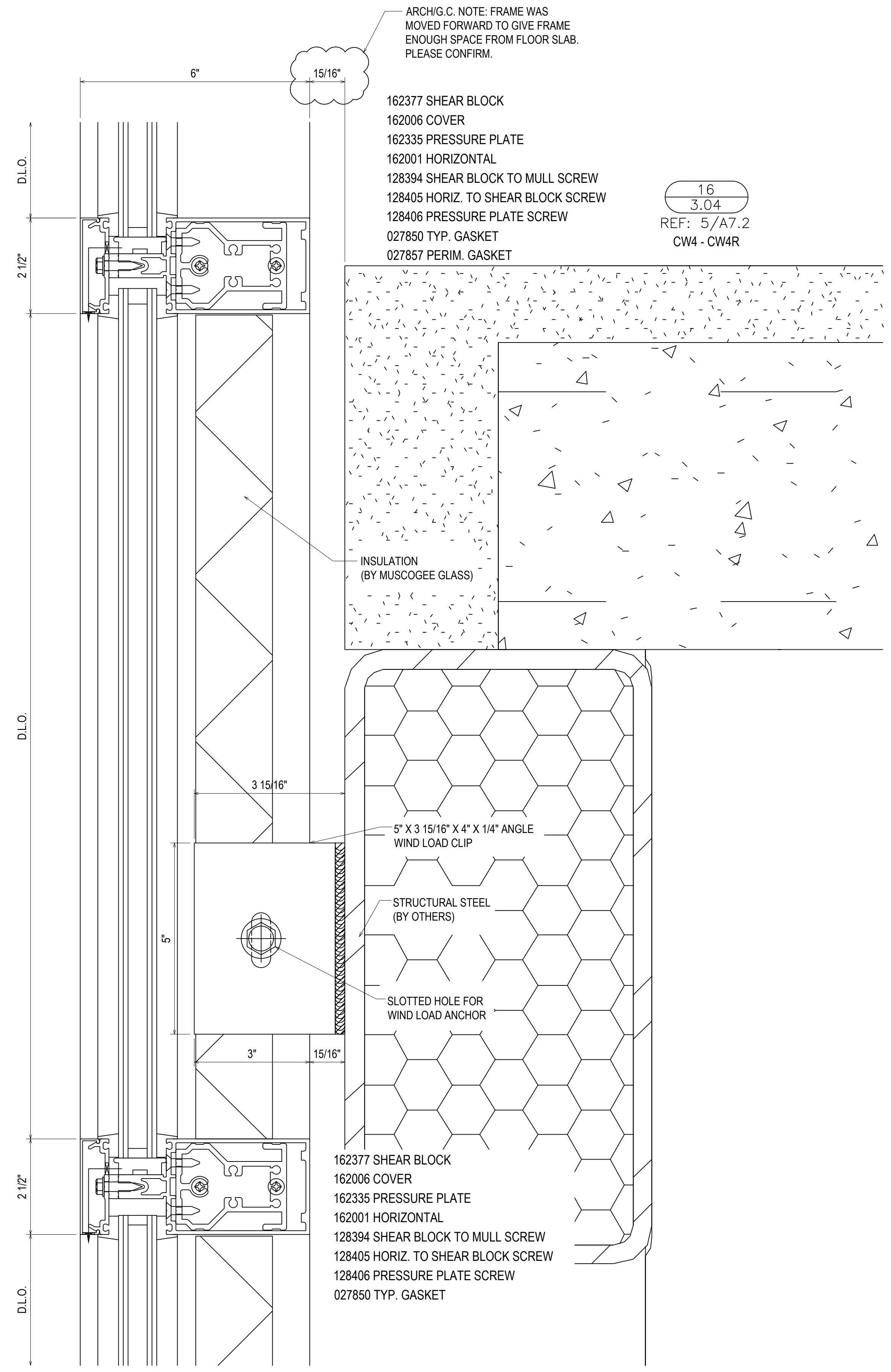
15
3.04
REF: N/A
CW1 - CW2 - CW4 - CW4R
CW5 - CW6 - CW7 - CW8
CW9 - CW10

- 162377 SHEAR BLOCK
- 162006 COVER
- 162335 PRESSURE PLATE
- 162001 HORIZONTAL
- 128394 SHEAR BLOCK TO MULL SCREW
- 128405 HORIZ. TO SHEAR BLOCK SCREW
- 128406 PRESSURE PLATE SCREW
- 027850 TYP. GASKET



15A
3.04
REF: N/A
CW5 - CW6 - CW7 - CW8
CW9 - CW10

- 162377 SHEAR BLOCK
- 162006 COVER
- 162335 PRESSURE PLATE
- 162001 HORIZONTAL
- 128394 SHEAR BLOCK TO MULL SCREW
- 128405 HORIZ. TO SHEAR BLOCK SCREW
- 128406 PRESSURE PLATE SCREW
- 027850 TYP. GASKET



ARCH/G.C. NOTE: FRAME WAS MOVED FORWARD TO GIVE FRAME ENOUGH SPACE FROM FLOOR SLAB. PLEASE CONFIRM.

- 162377 SHEAR BLOCK
- 162006 COVER
- 162335 PRESSURE PLATE
- 162001 HORIZONTAL
- 128394 SHEAR BLOCK TO MULL SCREW
- 128405 HORIZ. TO SHEAR BLOCK SCREW
- 128406 PRESSURE PLATE SCREW
- 027850 TYP. GASKET
- 027857 PERIM. GASKET

16
3.04
REF: 5/A7.2
CW4 - CW4R

INSULATION (BY MUSCOGEE GLASS)

5" X 3 15/16" X 4" X 1/4" ANGLE WIND LOAD CLIP

STRUCTURAL STEEL (BY OTHERS)

SLOTTED HOLE FOR WIND LOAD ANCHOR

- 162377 SHEAR BLOCK
- 162006 COVER
- 162335 PRESSURE PLATE
- 162001 HORIZONTAL
- 128394 SHEAR BLOCK TO MULL SCREW
- 128405 HORIZ. TO SHEAR BLOCK SCREW
- 128406 PRESSURE PLATE SCREW
- 027850 TYP. GASKET

1ST SUBMISSION	8.1.22
1ST REVISION	10.12.22
2ND REVISION	12.16.22
NO	DESCRIPTION
NO	DATE

ERECTOR:
MUSCOGEE GLASS
6922 JAMESSON WAY
MIDLAND, GA 31820
(706)-569-9500

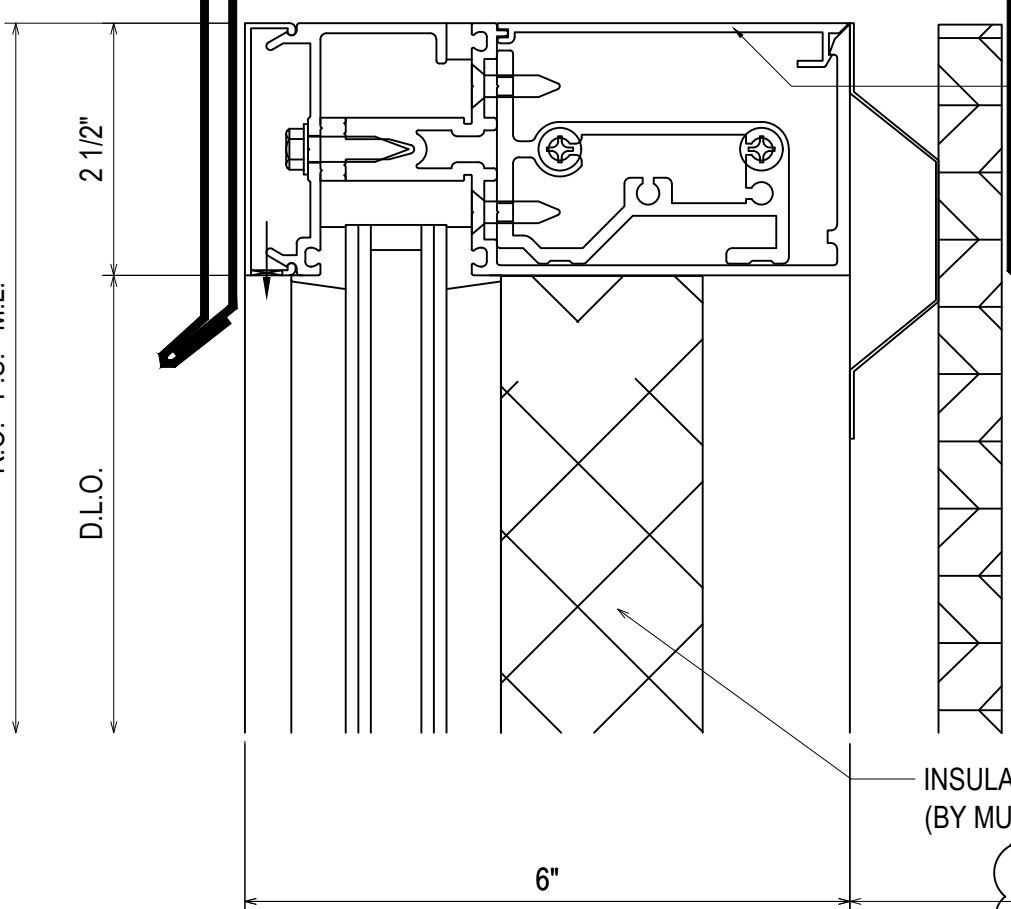
PROJECT: MCSD ELEMENTARY SCHOOL NO. 8

LOCATION: 180 NORTHSTAR DRIVE
COLUMBUS, GA 31907

DRAWN BY:	DATE:
DJ	8.1.22
CHECKED BY:	DATE:
CJ	8.1.22

METAL COPING
(N.B.M.G.)

R.O. - F.S. - M.L.
2 1/2"
D.L.O.



- USE FILLER 162021 WHEN REQUIRED.
- 162331 SHEAR BLOCK
- 162006 COVER
- 162505 PERIMETER PRESSURE PLATE
- 162094 HORIZONTAL
- 128394 SHEAR BLOCK TO MULL SCREW
- 128405 HORIZ. TO SHEAR BLOCK SCREW
- 128406 PRESSURE PLATE SCREW
- 027850 TYP. GASKET
- 027857 PERIM. GASKET

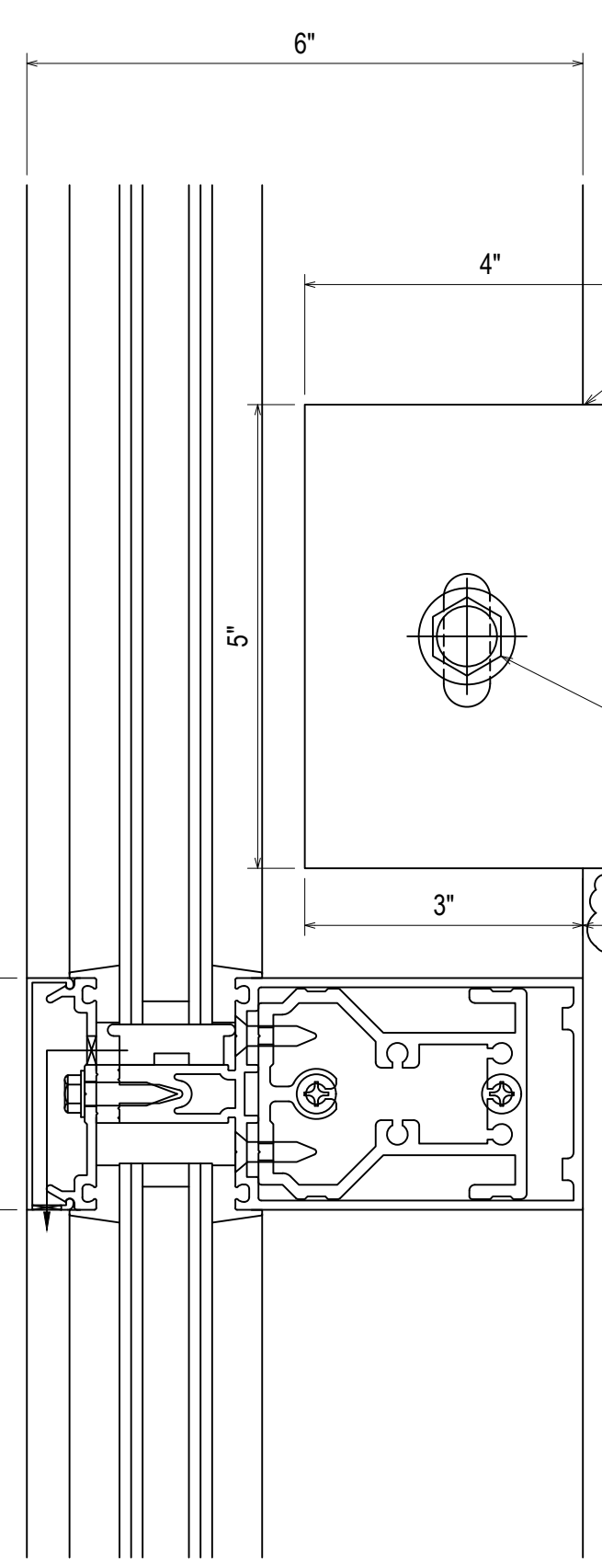
17
3.05

REF: 3/A8.1
CW5 - CW6 - CW7 - CW8
CW9 - CW10

INSULATION
(BY MUSCOGEE GLASS)

ARCH/G.C. NOTE: FRAME WAS
MOVED FORWARD TO GIVE FRAME
ENOUGH SPACE FROM STEEL.

D.L.O.
2 1/2"
D.L.O.



5" X 4" X 1/4" ANGLE
WIND LOAD CLIP

STRUCTURAL STEEL
(BY OTHERS)

18
3.05

REF: N/A
CW5 - CW6

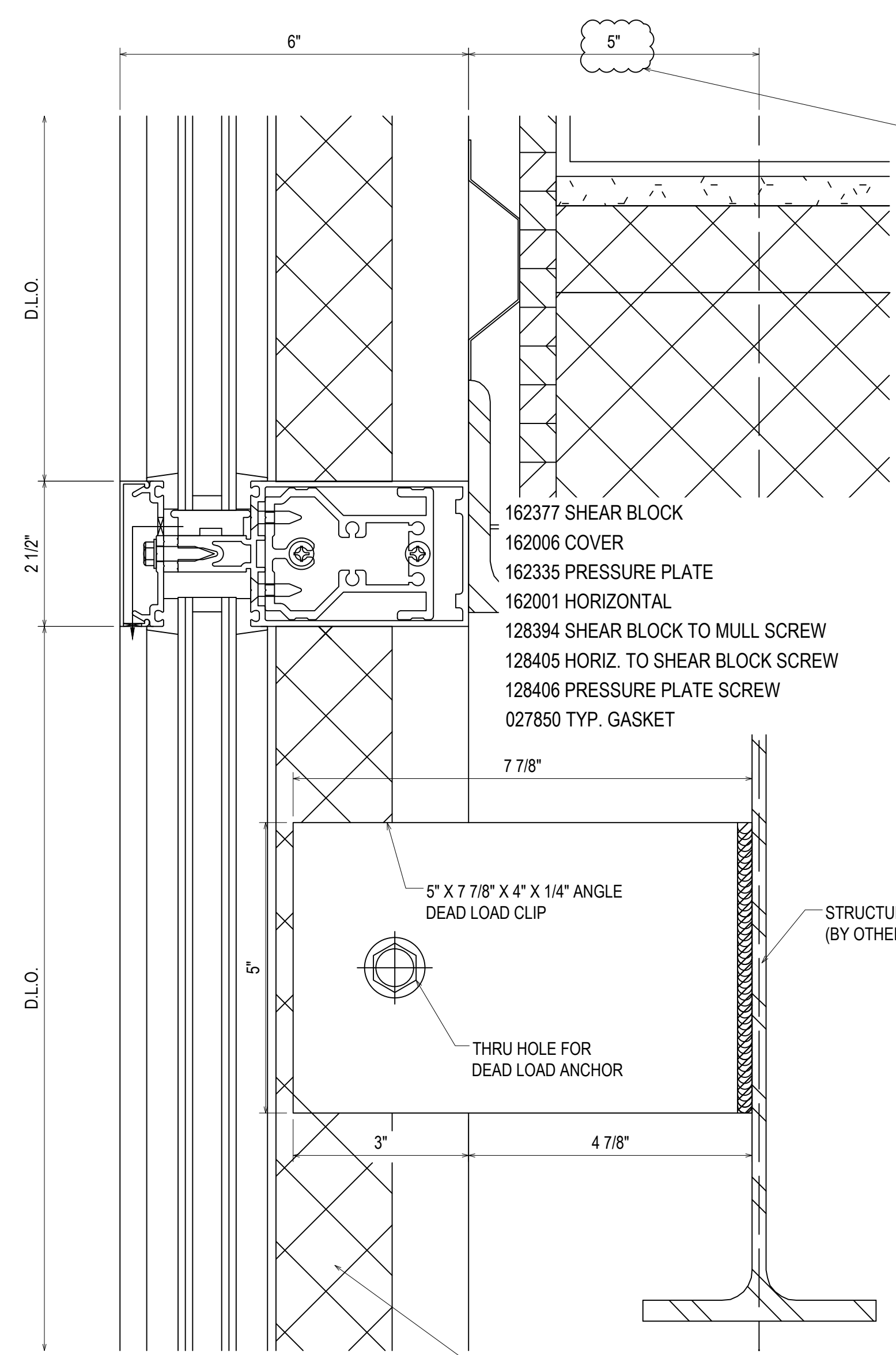
SLOTTED HOLE FOR
WIND LOAD ANCHOR

ARCH/G.C. NOTE: FRAME WAS
MOVED FORWARD TO GIVE FRAME
ENOUGH SPACE FROM FLOOR SLAB.
PLEASE CONFIRM.

- 162377 SHEAR BLOCK
- 162006 COVER
- 162335 PRESSURE PLATE
- 162001 HORIZONTAL
- 128394 SHEAR BLOCK TO MULL SCREW
- 128405 HORIZ. TO SHEAR BLOCK SCREW
- 128406 PRESSURE PLATE SCREW
- 027850 TYP. GASKET

D.L.O.
2 1/2"

D.L.O.



- 162377 SHEAR BLOCK
- 162006 COVER
- 162335 PRESSURE PLATE
- 162001 HORIZONTAL
- 128394 SHEAR BLOCK TO MULL SCREW
- 128405 HORIZ. TO SHEAR BLOCK SCREW
- 128406 PRESSURE PLATE SCREW
- 027850 TYP. GASKET

19
3.05

REF: 3/A8.1
CW5 - CW6 - CW7 - CW8
CW9 - CW10

5" X 7 7/8" X 4" X 1/4" ANGLE
DEAD LOAD CLIP

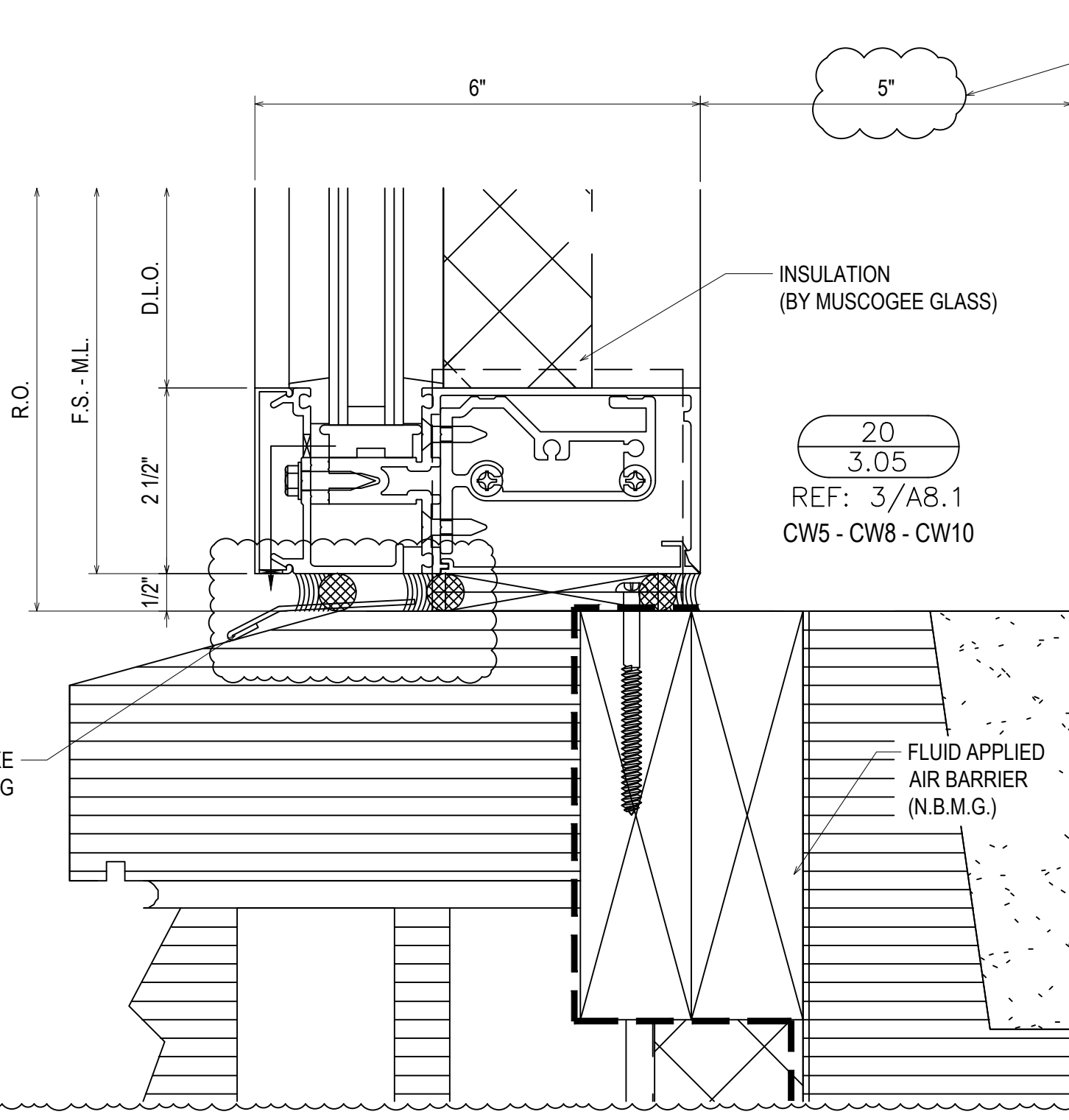
THRU HOLE FOR
DEAD LOAD ANCHOR

STRUCTURAL STEEL
(BY OTHERS)

INSULATION
(BY MUSCOGEE GLASS)

ARCH/G.C. NOTE: FRAME WAS
MOVED FORWARD TO GIVE FRAME
ENOUGH SPACE FROM FLOOR SLAB.
PLEASE CONFIRM.

R.O.
F.S. - M.L.
2 1/2"
D.L.O.



20
3.05

REF: 3/A8.1
CW5 - CW8 - CW10

INSULATION
(BY MUSCOGEE GLASS)

ALUM BRAKE
METAL FLASHING

FLUID APPLIED
AIR BARRIER
(N.B.M.G.)

- 162316 SHIM FILLER
- 162331 SHEAR BLOCK
- 162006 COVER
- 162505 PERIMETER PRESSURE PLATE
- 162094 HORIZONTAL
- 162308 "F" ANCHOR OR
- 162309 "T" ANCHOR
- 128394 SHEAR BLOCK TO MULL SCREW
- 128405 HORIZ. TO SHEAR BLOCK SCREW
- 128406 PRESSURE PLATE SCREW
- 027850 TYP. GASKET
- 027857 PERIM. GASKET

ARCH/G.C. NOTE: FRAME WAS
MOVED FORWARD TO GIVE FRAME
ENOUGH SPACE FROM STEEL.
PLEASE CONFIRM.

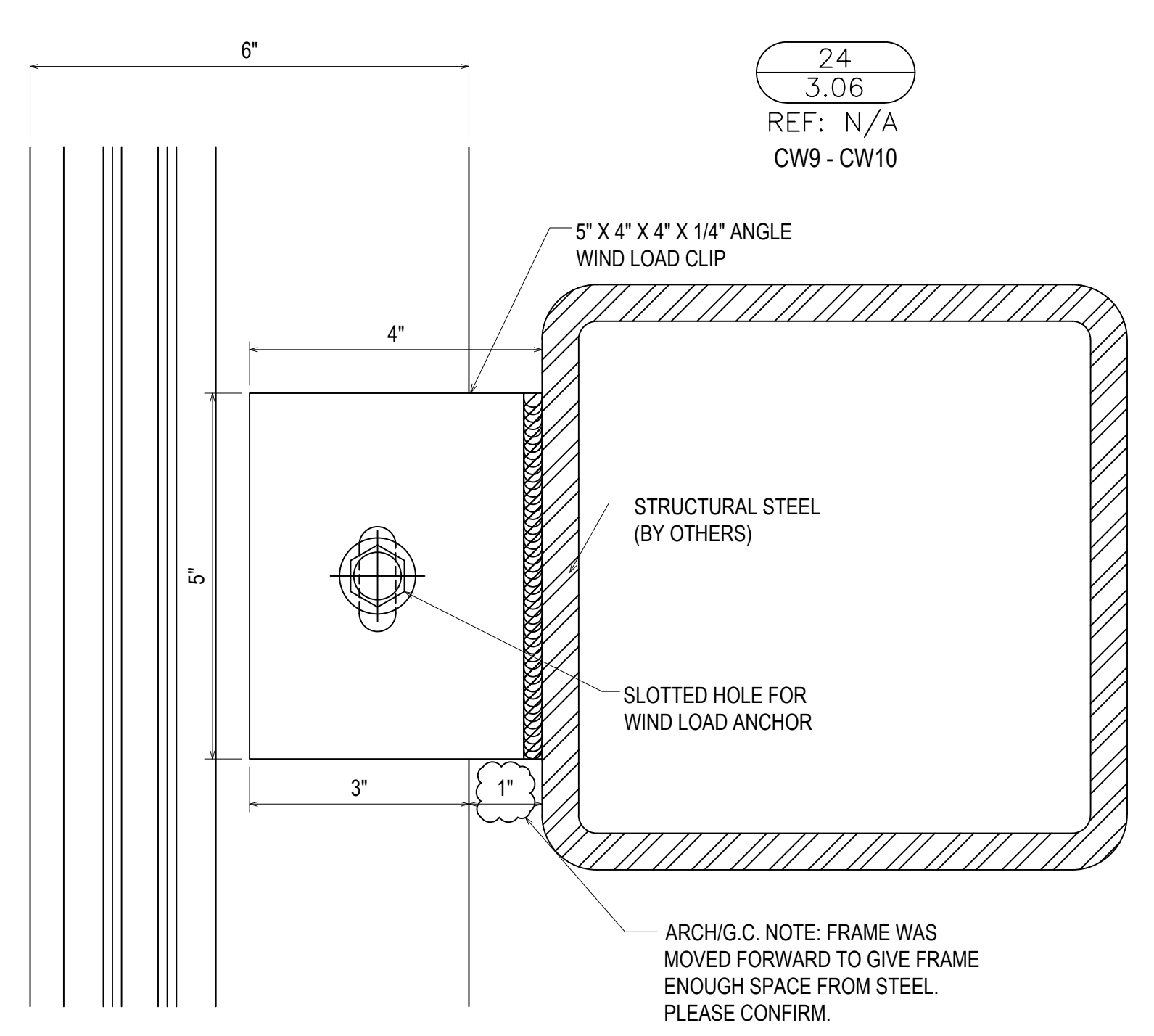
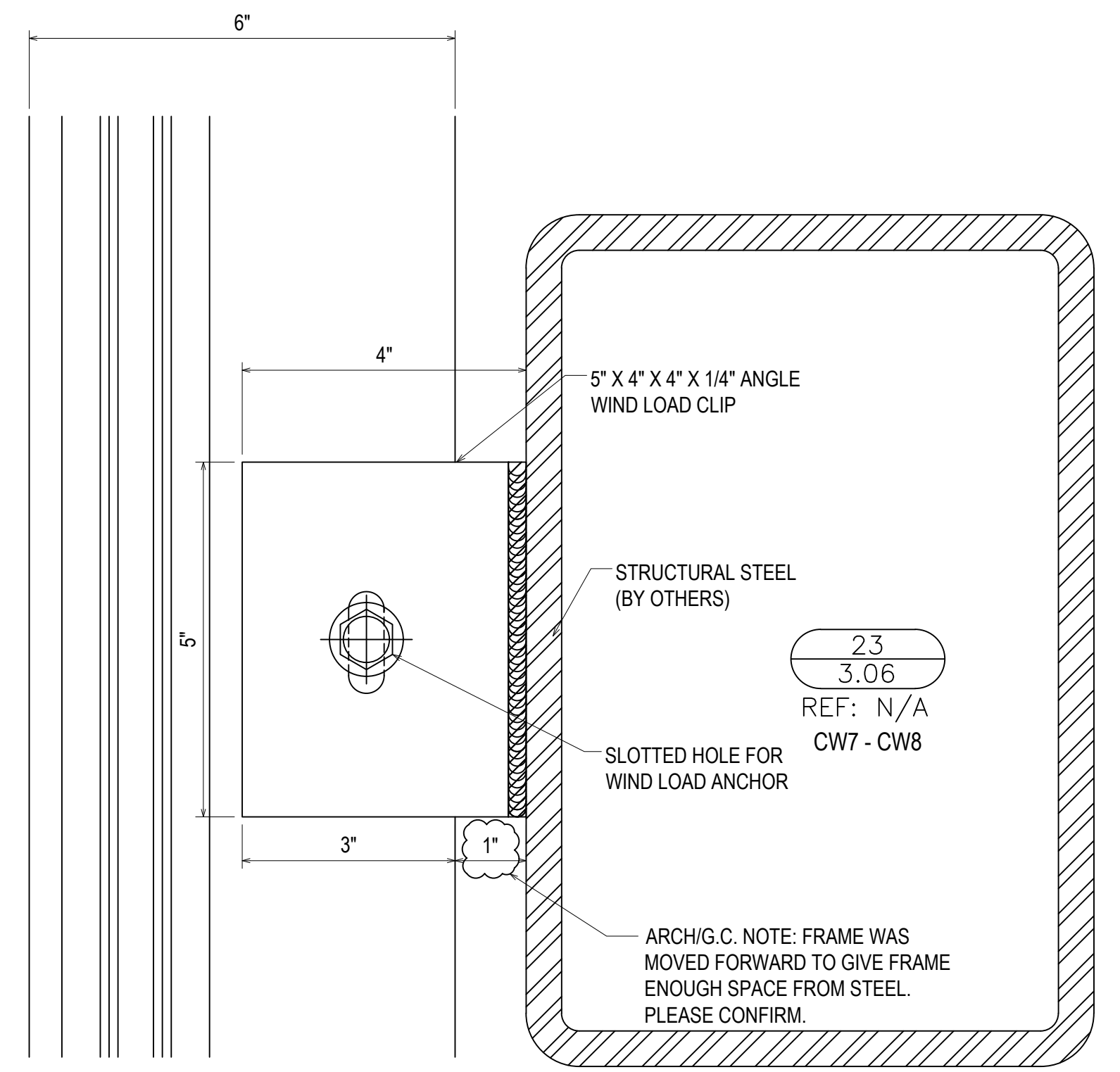
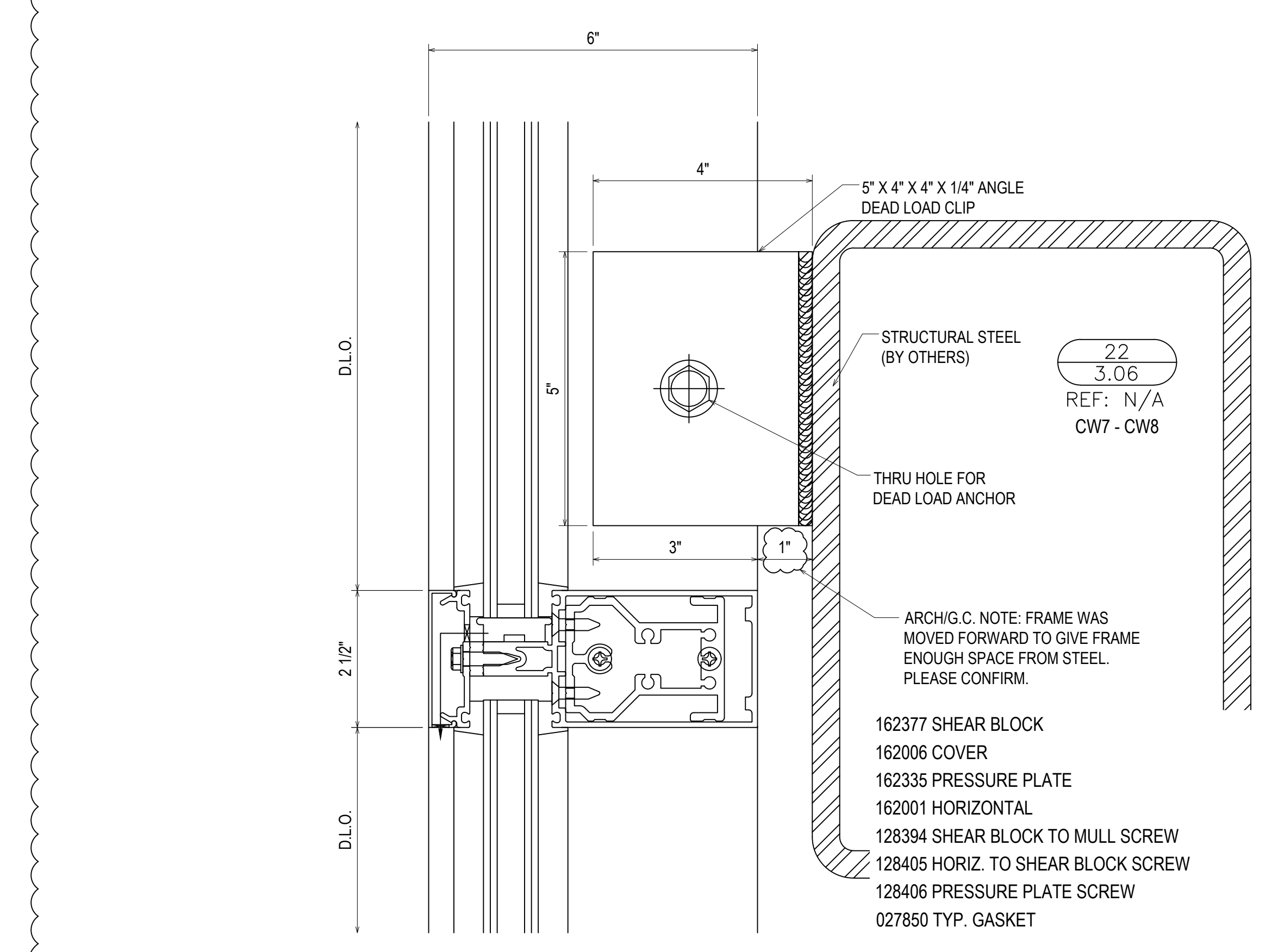
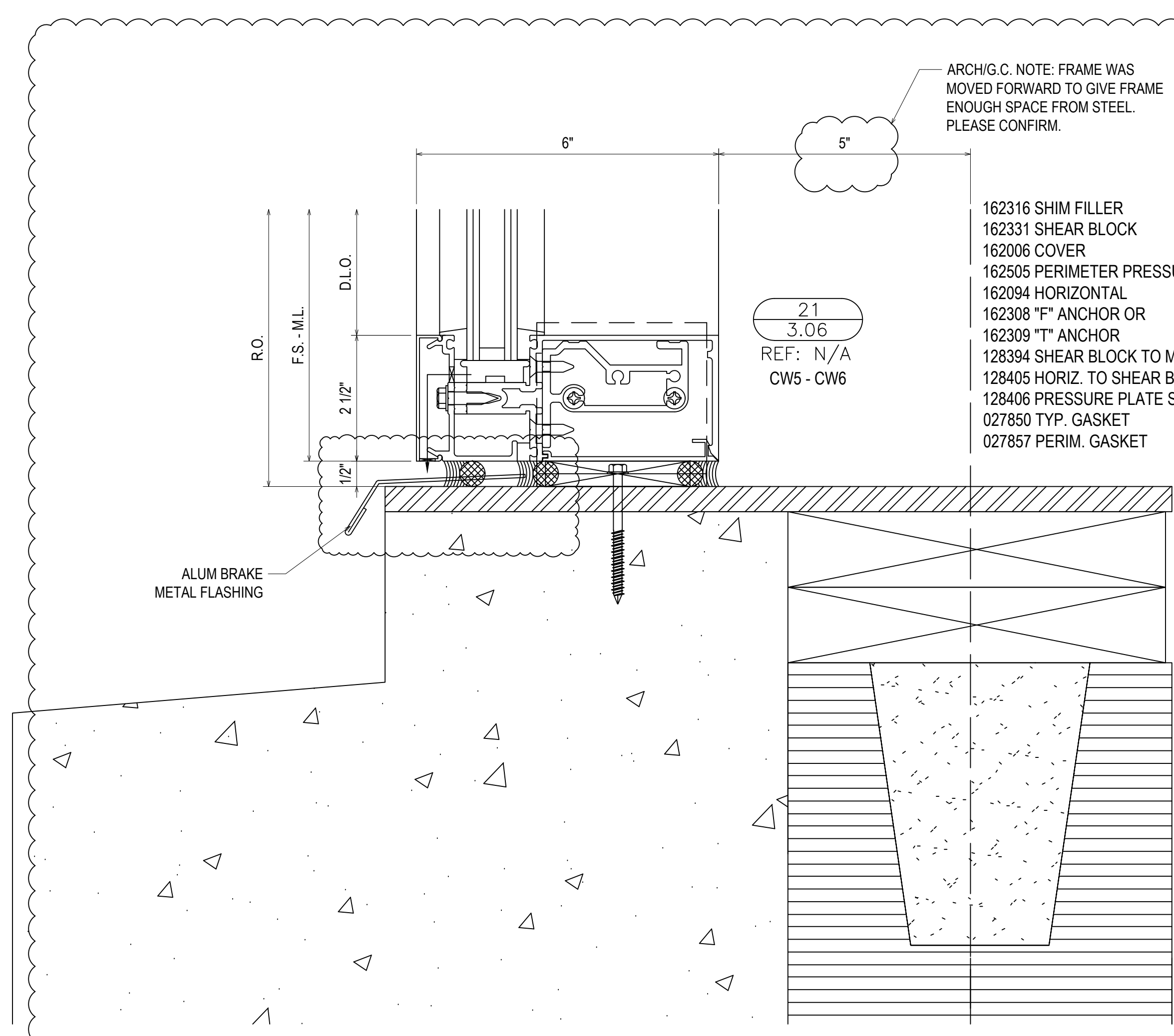
1ST SUBMISSION	8.1.22
1ST REVISION	10.12.22
2ND REVISION	12.16.22
NO	DATE
DESCRIPTION	
DRAWING SUBMISSION	

ERECTOR:
MUSCOGEE GLASS
6922 JAMESSON WAY
MIDLAND, GA 31820
(706)-569-9500

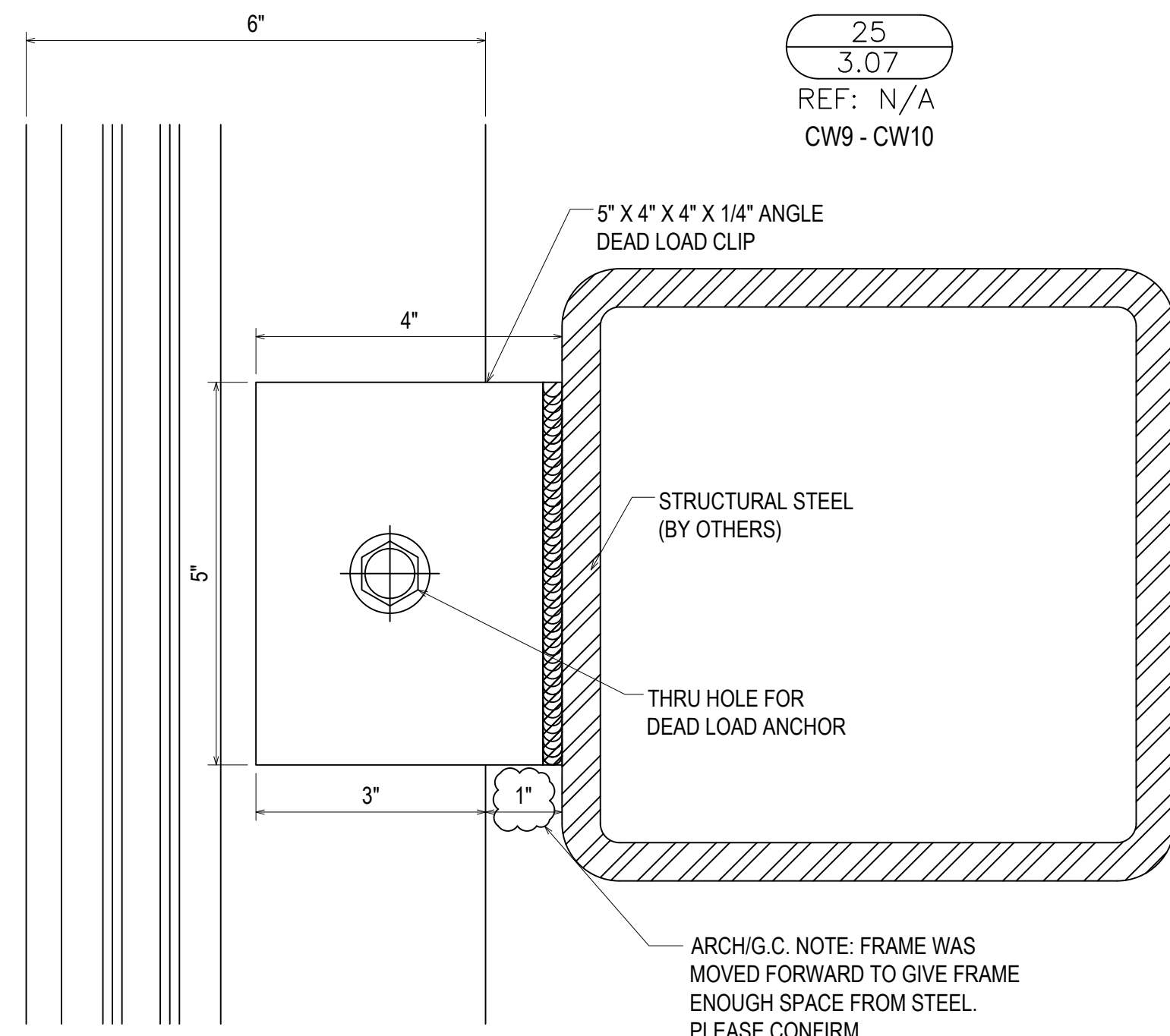
PROJECT: MCSD ELEMENTARY SCHOOL NO. 8

LOCATION: 180 NORTHSTAR DRIVE
COLUMBUS, GA 31907

DRAWN BY:	DATE:
DJ	8.1.22
CHECKED BY:	DATE:
CJ	8.1.22



PROJECT: MCSD ELEMENTARY SCHOOL NO. 8	ERECTOR: MUSCOGEE GLASS 6922 JAMESSON WAY MIDLAND, GA 31820 (706)-569-9500
LOCATION: 180 NORTHSTAR DRIVE COLUMBUS, GA 31907	
DRAWN BY: DJ	DATE: 8.1.22
CHECKED BY: CJ	DATE: 8.1.22
	3.06
1ST SUBMISSION	8.1.22
1ST REVISION	10.12.22
2ND REVISION	12.16.22
NO	DATE
DESCRIPTION	DRAWING SUBMISSION



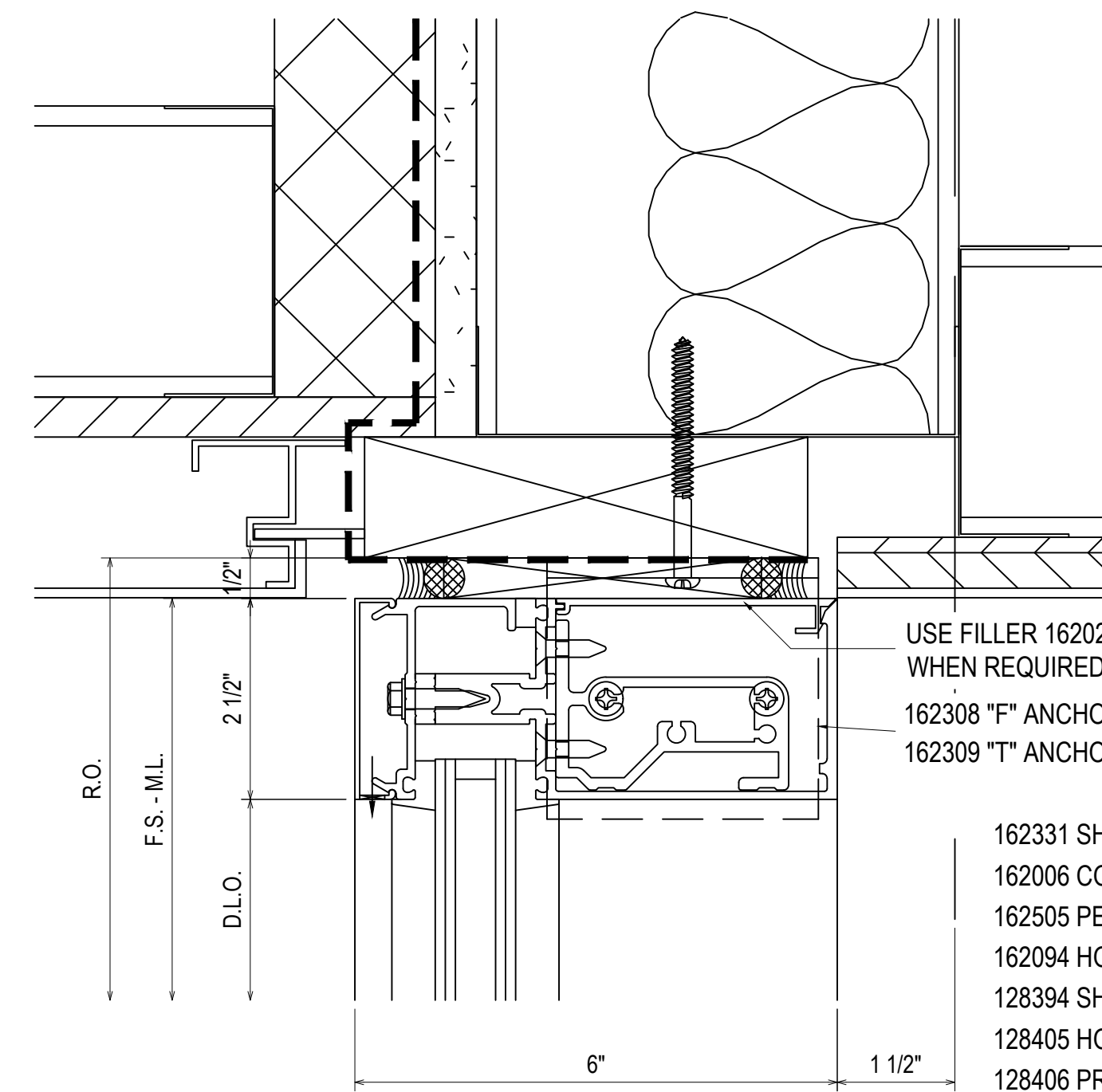
25
3.07
REF: N/A
CW9 - CW10

5" X 4" X 1/4" ANGLE
DEAD LOAD CLIP

STRUCTURAL STEEL
(BY OTHERS)

THRU HOLE FOR
DEAD LOAD ANCHOR

ARCH/G.C. NOTE: FRAME WAS
MOVED FORWARD TO GIVE FRAME
ENOUGH SPACE FROM STEEL.
PLEASE CONFIRM.

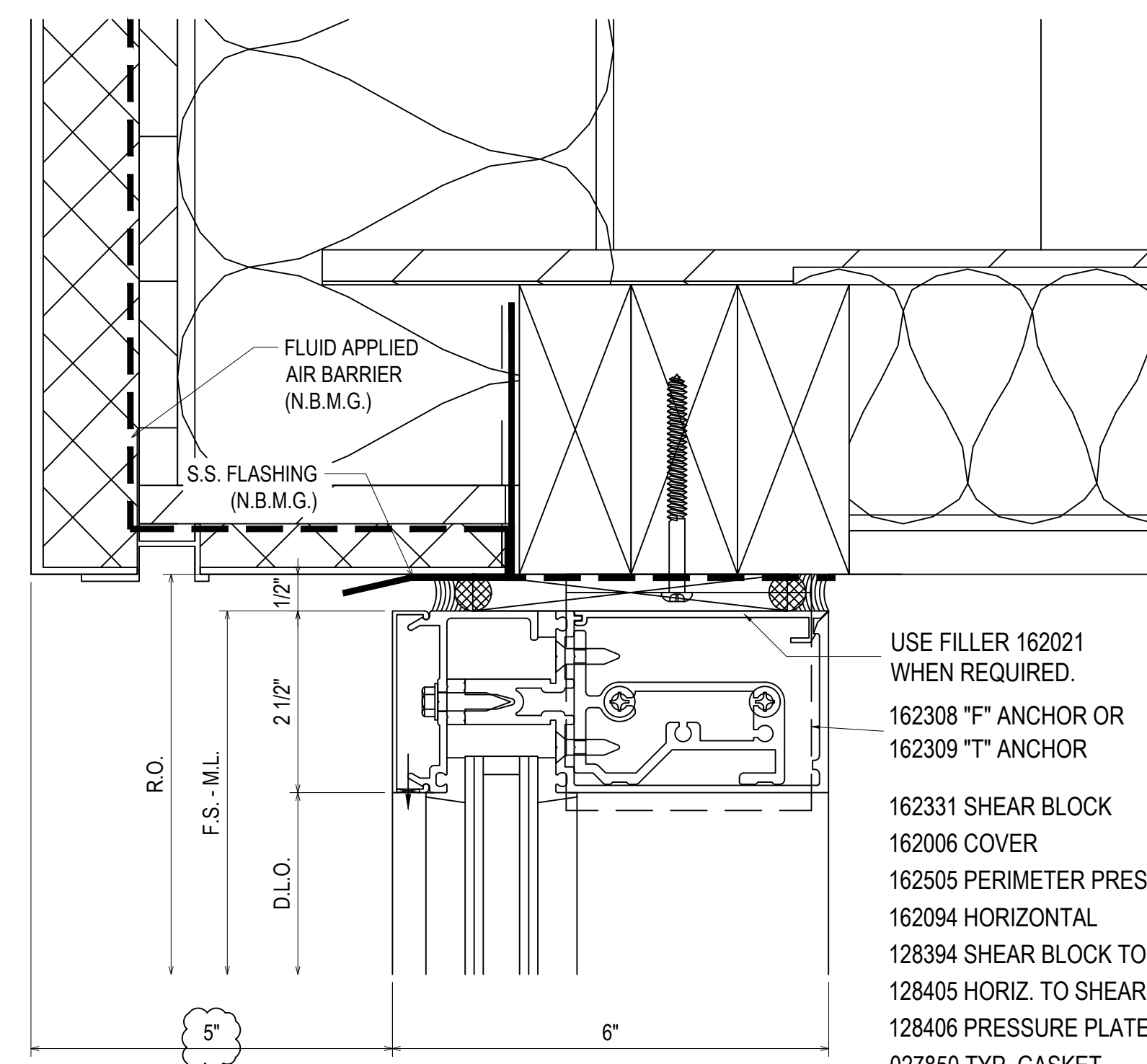


27
3.07
REF: 15/A5.1
CW11 - CW12

USE FILLER 162021
WHEN REQUIRED.

162308 "F" ANCHOR OR
162309 "T" ANCHOR

- 162331 SHEAR BLOCK
- 162006 COVER
- 162505 PERIMETER PRESSURE PLATE
- 162094 HORIZONTAL
- 128394 SHEAR BLOCK TO MULL SCREW
- 128405 HORIZ. TO SHEAR BLOCK SCREW
- 128406 PRESSURE PLATE SCREW
- 027850 TYP. GASKET
- 027857 PERIM. GASKET



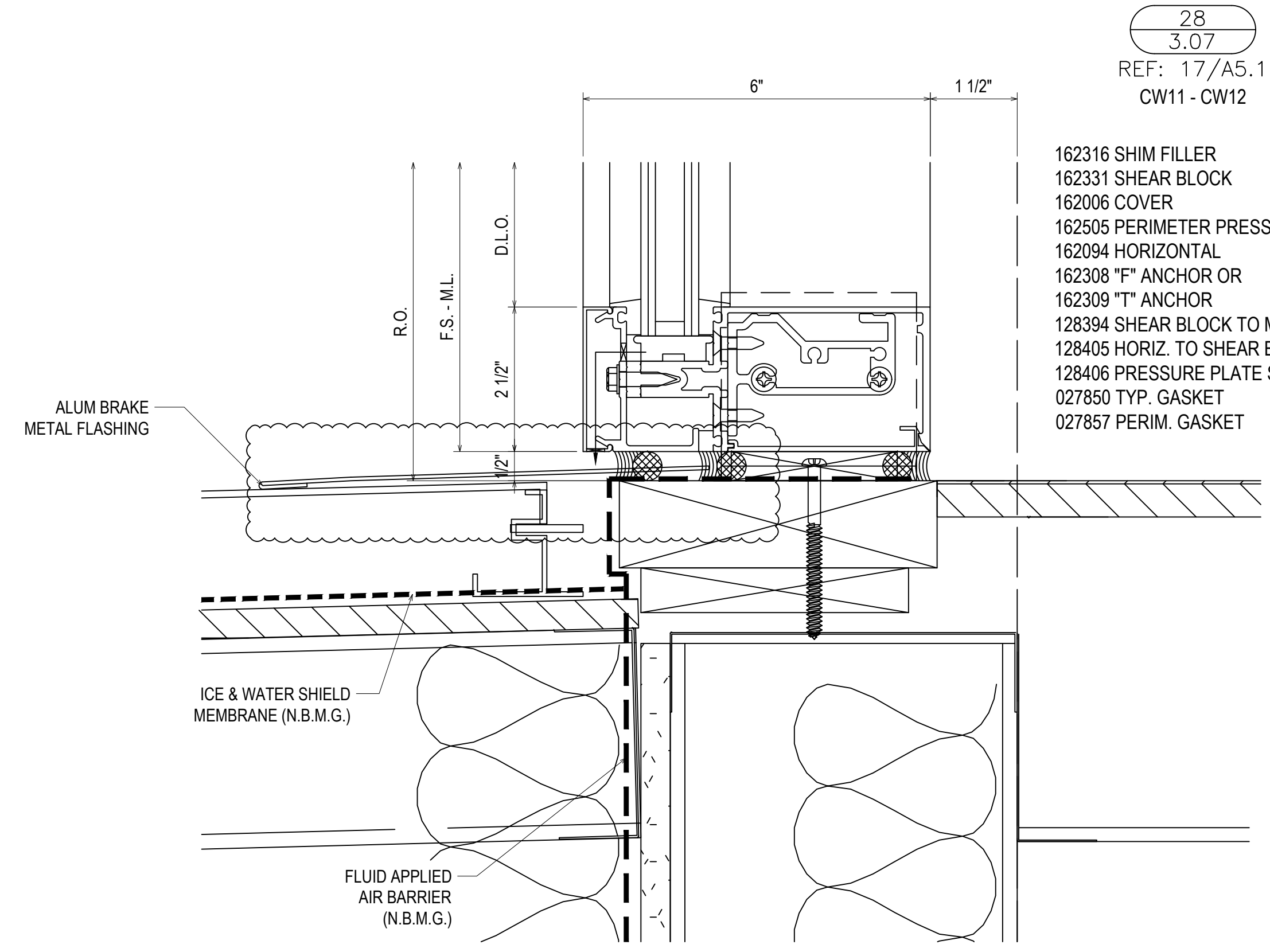
26
3.07
REF: 8/A5.1
CW9

USE FILLER 162021
WHEN REQUIRED.

162308 "F" ANCHOR OR
162309 "T" ANCHOR

- 162331 SHEAR BLOCK
- 162006 COVER
- 162505 PERIMETER PRESSURE PLATE
- 162094 HORIZONTAL
- 128394 SHEAR BLOCK TO MULL SCREW
- 128405 HORIZ. TO SHEAR BLOCK SCREW
- 128406 PRESSURE PLATE SCREW
- 027850 TYP. GASKET
- 027857 PERIM. GASKET

ARCH/G.C. NOTE: FRAME WAS
MOVED FORWARD TO GIVE FRAME
ENOUGH SPACE FROM STEEL.
PLEASE CONFIRM.



28
3.07
REF: 17/A5.1
CW11 - CW12

- 162316 SHIM FILLER
- 162331 SHEAR BLOCK
- 162006 COVER
- 162505 PERIMETER PRESSURE PLATE
- 162094 HORIZONTAL
- 162308 "F" ANCHOR OR
162309 "T" ANCHOR
- 128394 SHEAR BLOCK TO MULL SCREW
- 128405 HORIZ. TO SHEAR BLOCK SCREW
- 128406 PRESSURE PLATE SCREW
- 027850 TYP. GASKET
- 027857 PERIM. GASKET

ALUM BRAKE
METAL FLASHING

ICE & WATER SHIELD
MEMBRANE (N.B.M.G.)

FLUID APPLIED
AIR BARRIER
(N.B.M.G.)

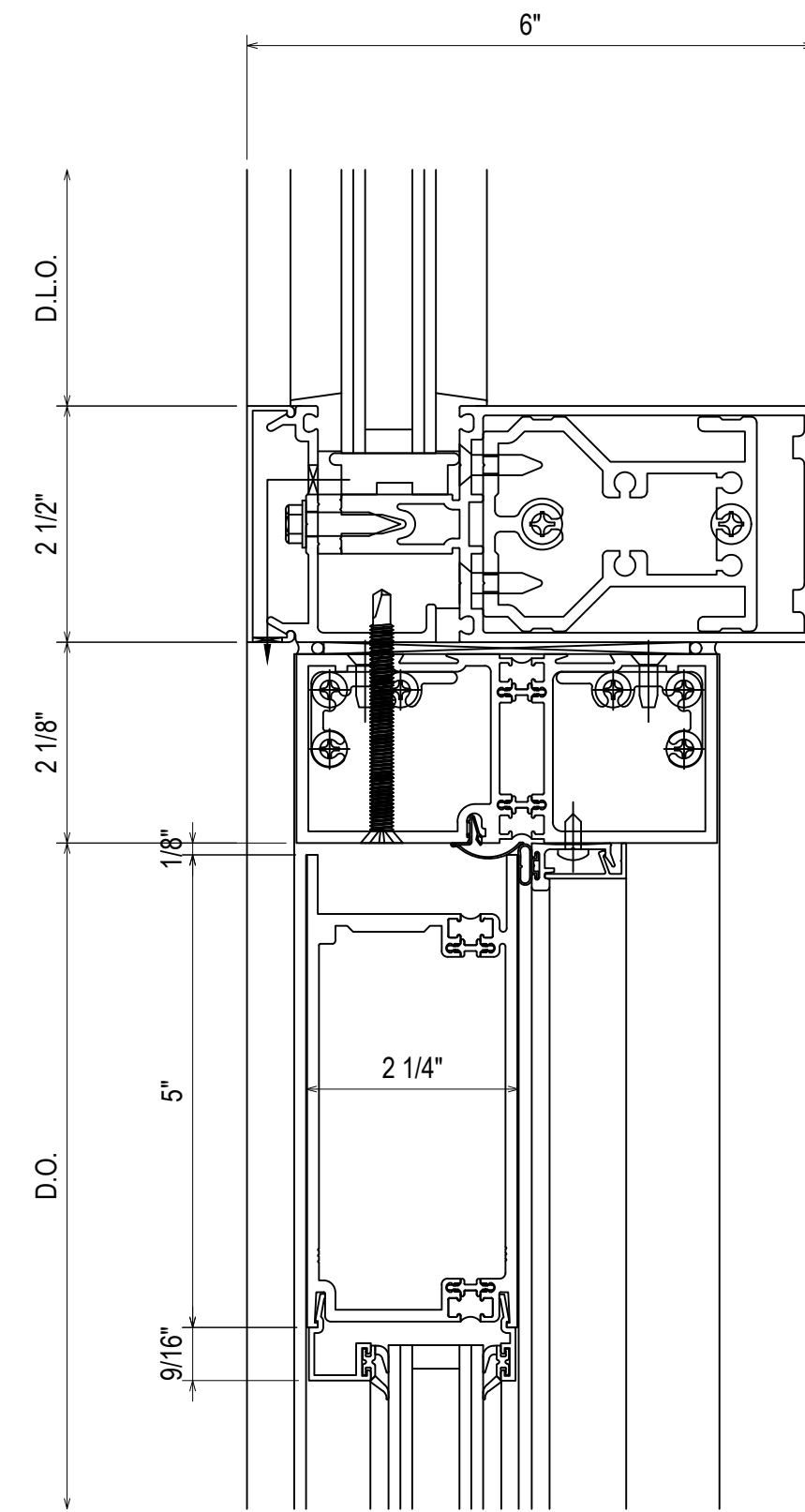
1ST SUBMISSION	8.1.22
1ST REVISION	10.12.22
2ND REVISION	12.16.22
NO	DATE
DRAWING SUBMISSION	

ERECTOR:
MUSCOGEE GLASS
6922 JAMESSON WAY
MIDLAND, GA 31820
(706)-569-9500

PROJECT: MCSD ELEMENTARY SCHOOL NO. 8

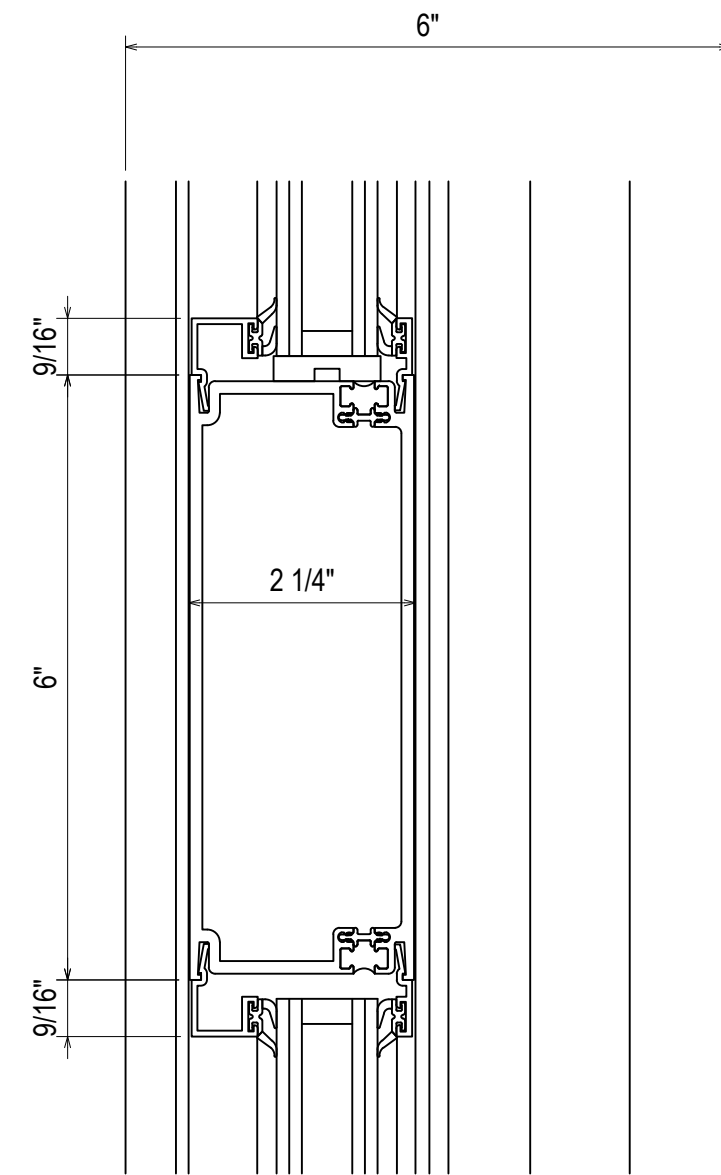
LOCATION: 180 NORTHSTAR DRIVE
COLUMBUS, GA 31907

DRAWN BY:	DATE:
DJ	8.1.22
CHECKED BY:	DATE:
CJ	8.1.22



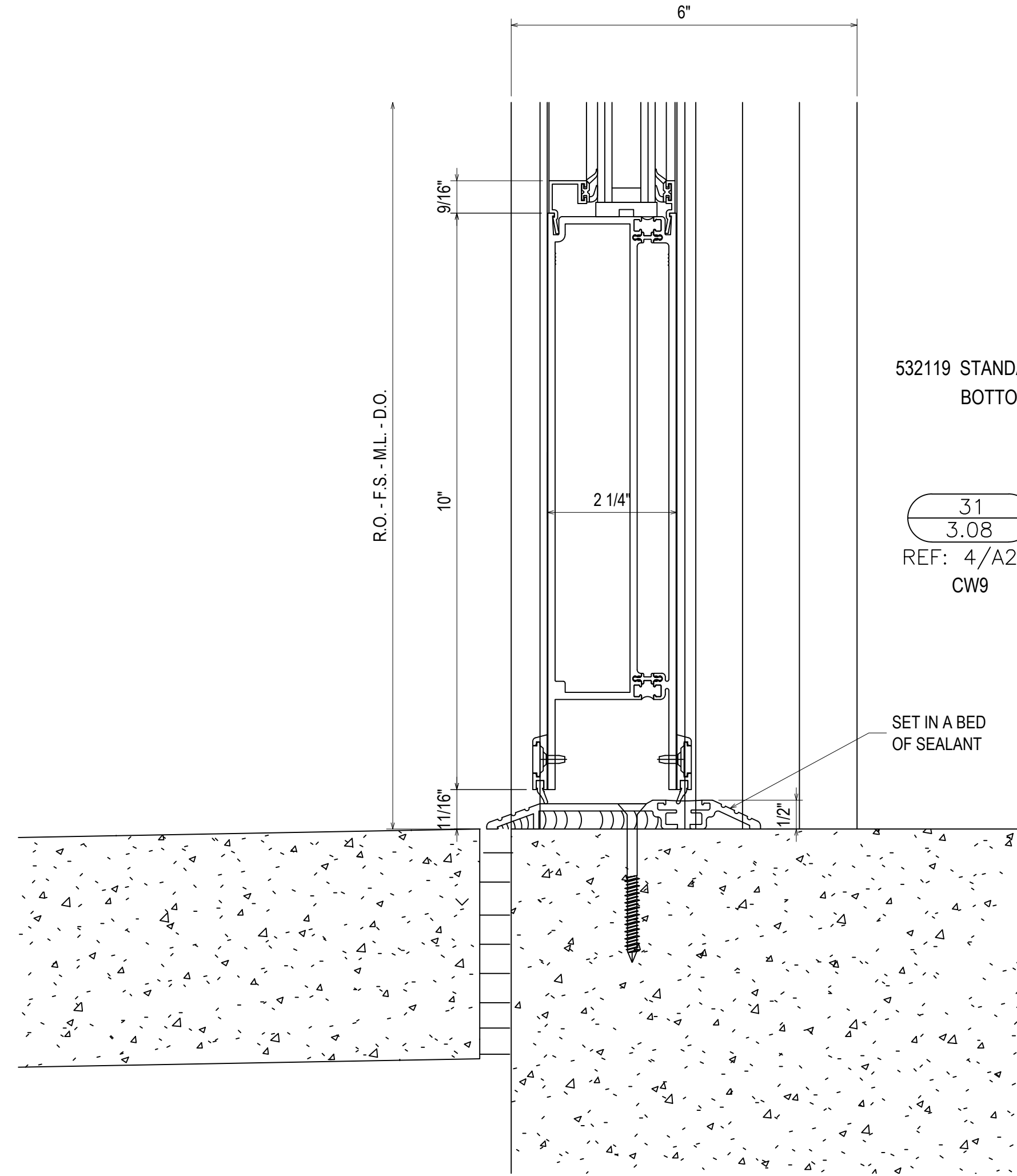
- 162377 SHEAR BLOCK
- 162006 COVER
- 162505 PERIMETER PRESSURE PLATE
- 162001 HORIZONTAL
- 534111 S/A DOOR T-BAR
- 451T402 T-BAR/HEADER SHEAR BLOCK PKG
- 027413 JAMB WEATHERING
- 069177 DOOR STOP PACKAGE
- 028260 #8 X 3/8" PHTF "AB"
- 532123 5" STD WEB TOP DOOR RAIL
- 128394 SHEAR BLOCK TO MULLION SCREW
- 128405 HORIZ. TO SHEAR BLOCK SCREW
- 128406 PRESSURE PLATE SCREW
- 027850 TYP. GASKET
- 027857 PERIM. GASKET

29
3.08
REF: N/A
CW9



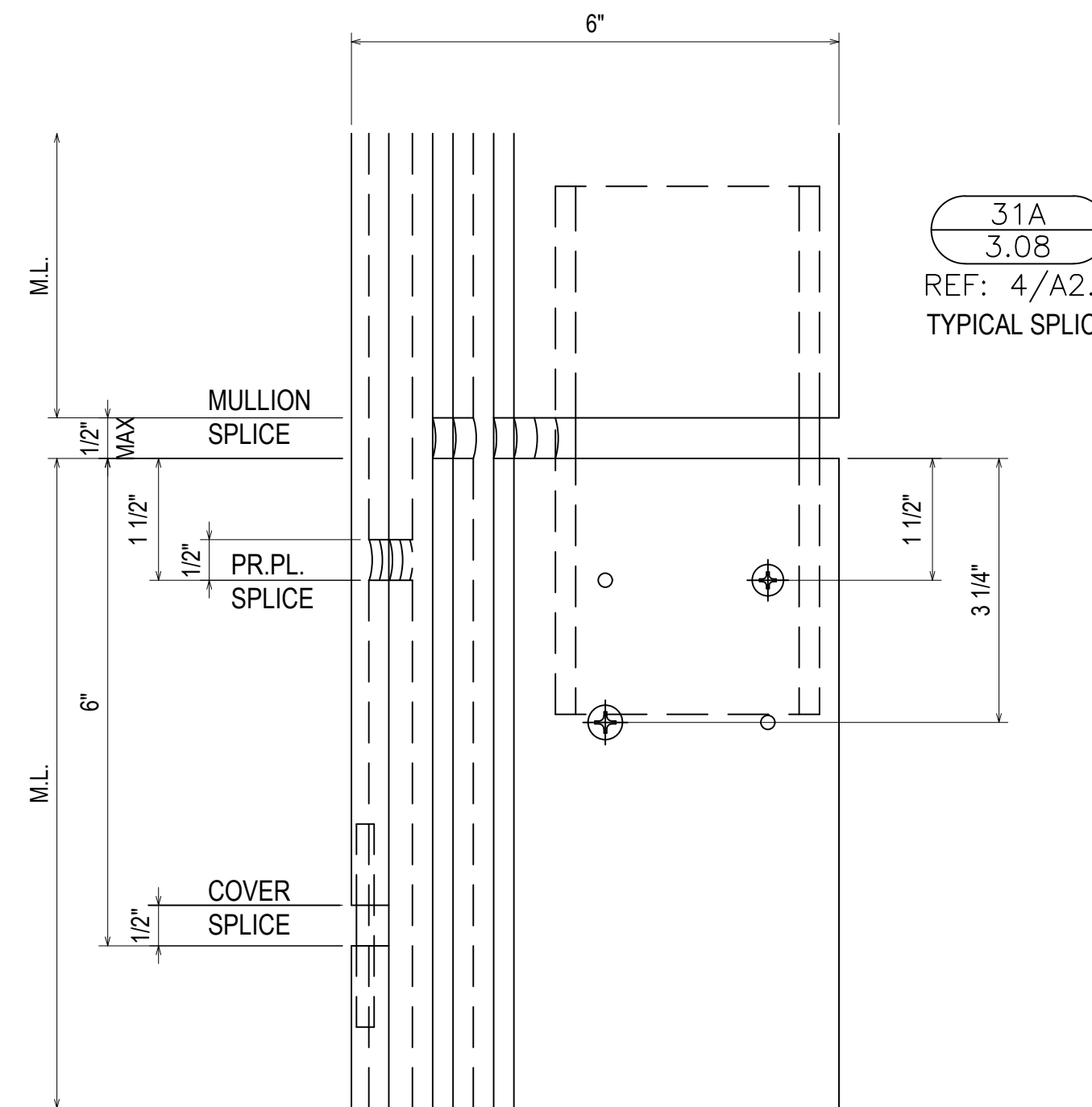
532130 6" CROSS RAIL

30
3.08
REF: N/A
CW9

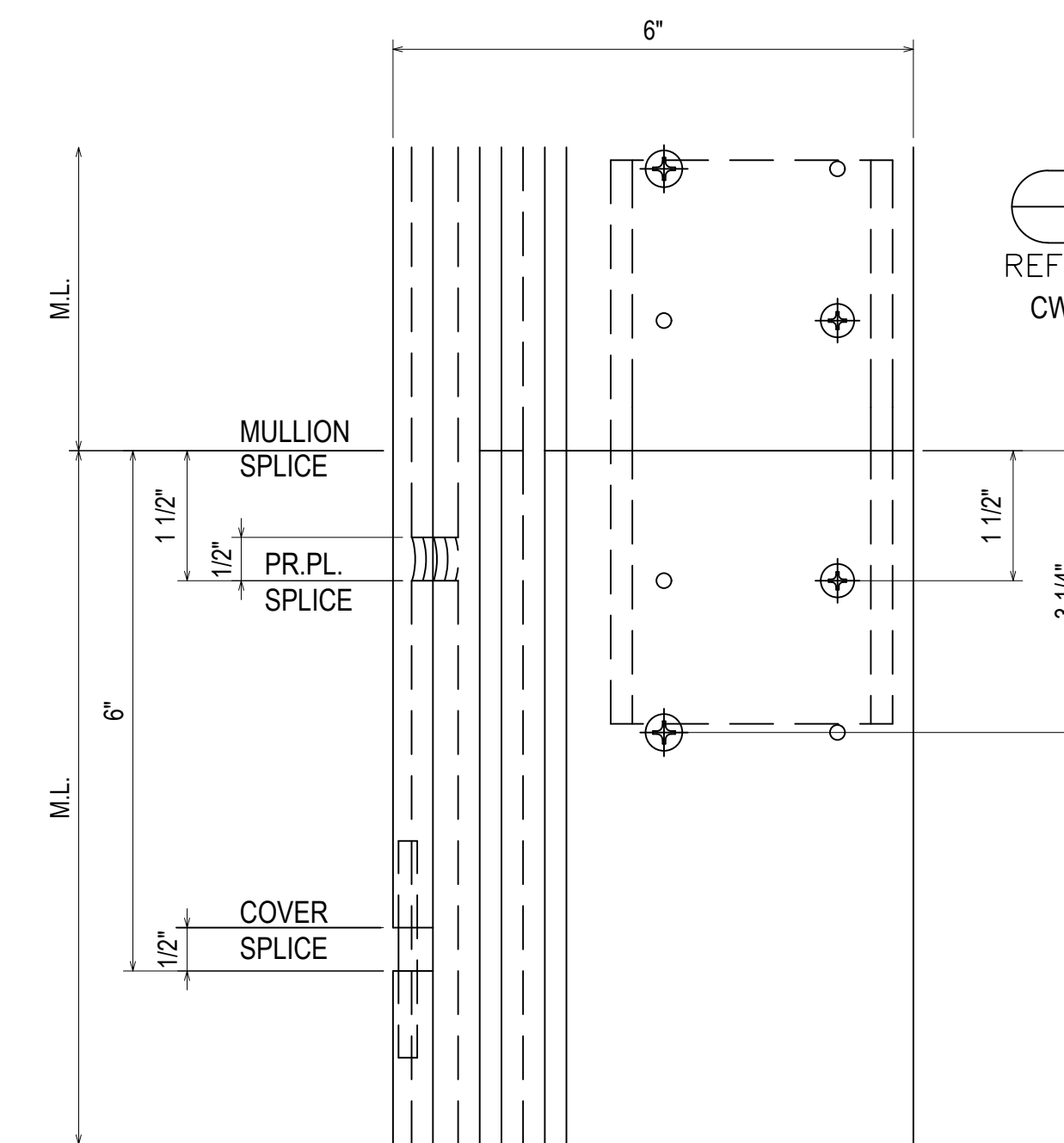


532119 STANDARD 10"
BOTTOM DOOR RAIL

31
3.08
REF: 4/A2.1
CW9



31A
3.08
REF: 4/A2.1
TYPICAL SPLICE



31B
3.08
REF: 4/A2.1
CW4 - CW4R

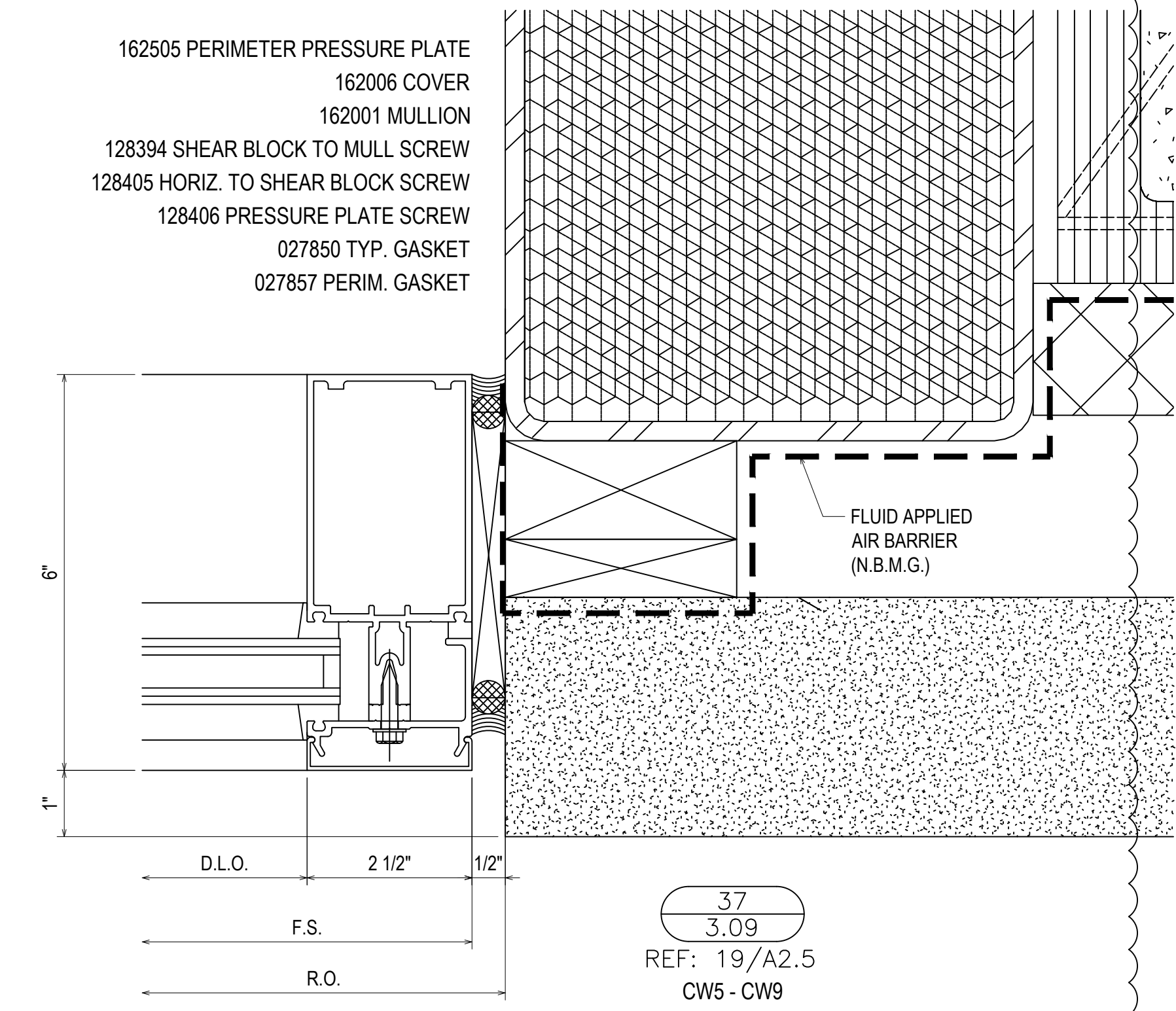
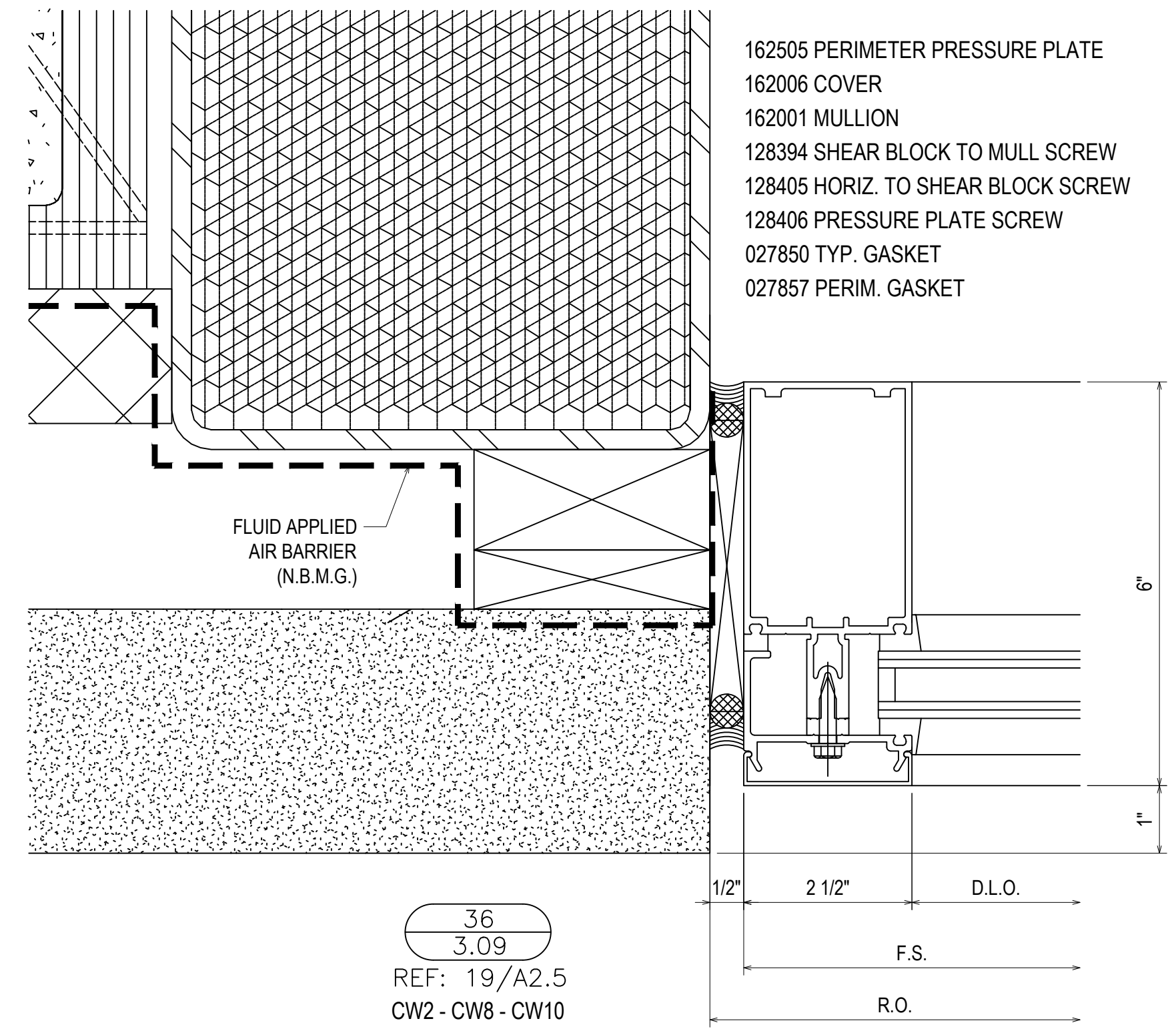
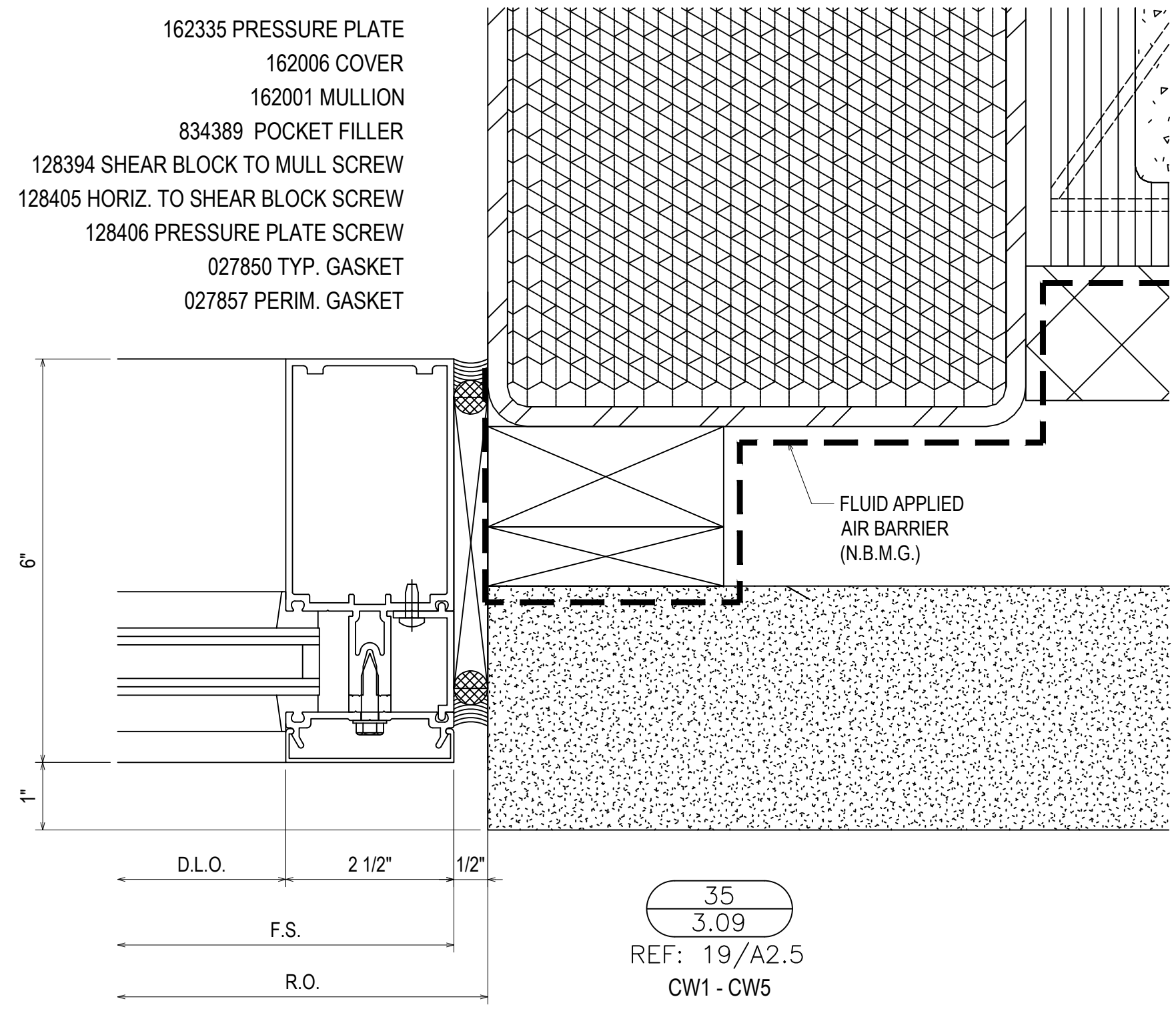
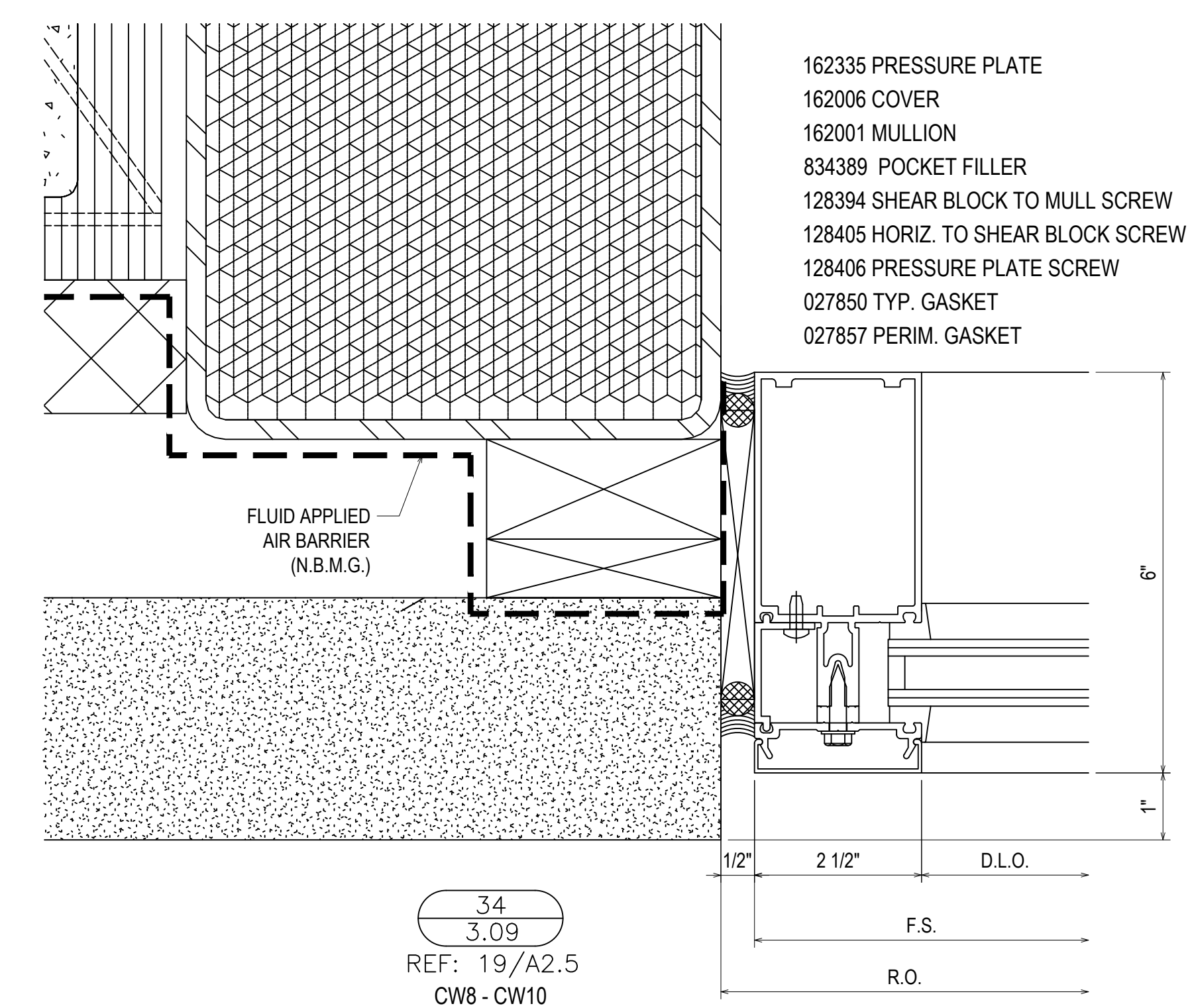
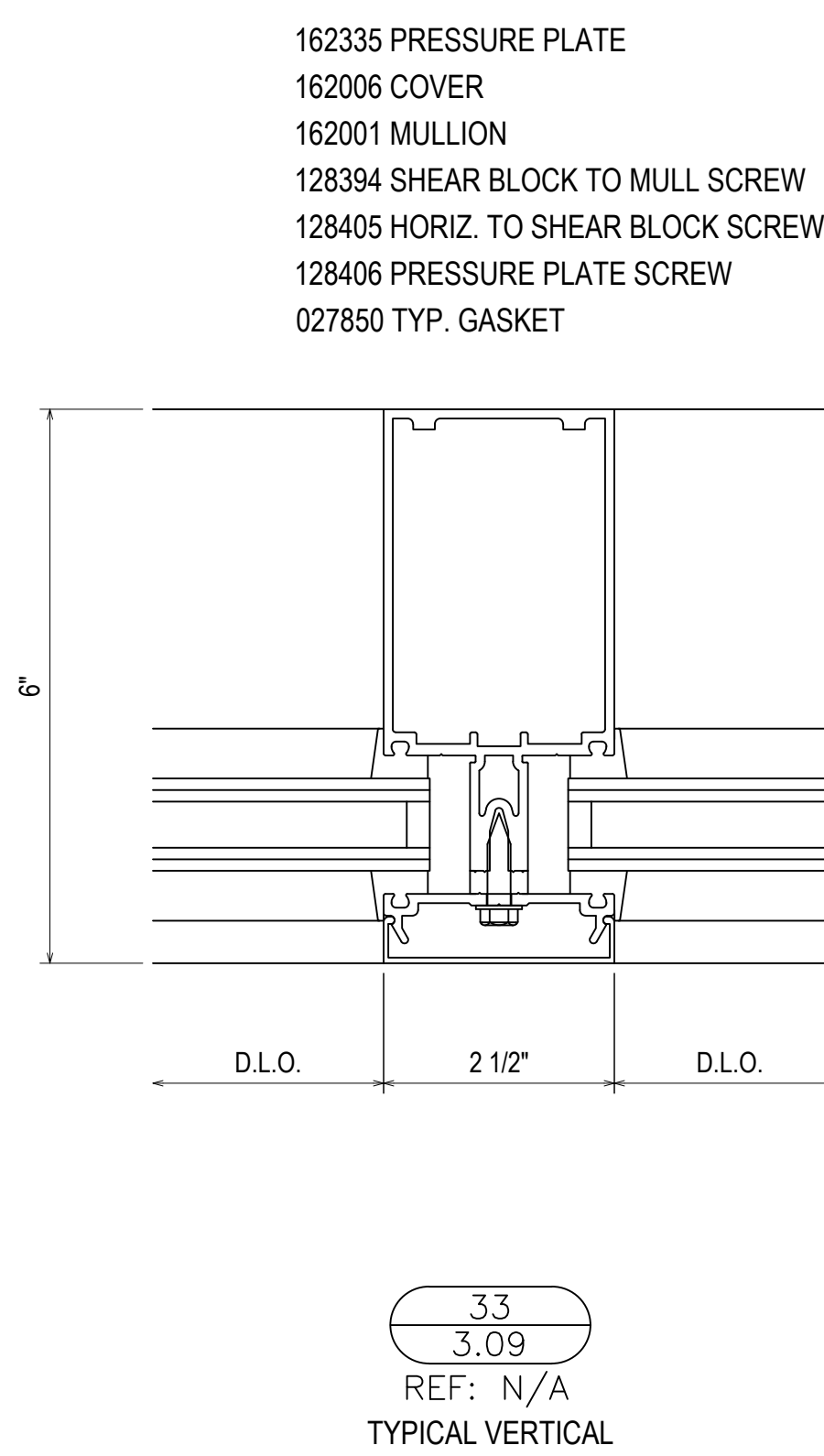
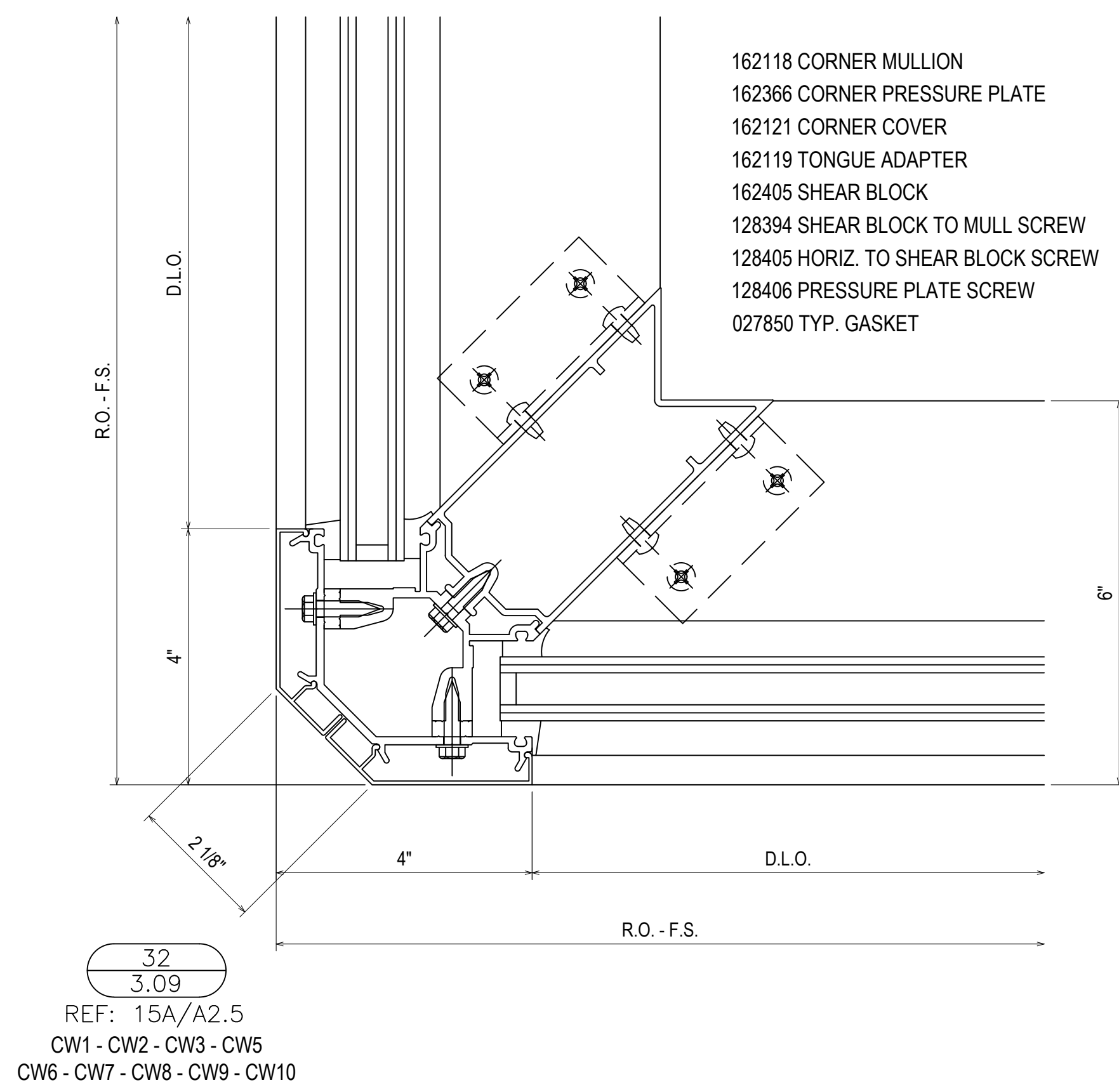
1ST SUBMISSION	8.1.22
1ST REVISION	10.12.22
2ND REVISION	12.16.22
NO	DATE
DESCRIPTION	
DRAWING SUBMISSION	

ERECTOR:
MUSCOGEE GLASS
6922 JAMESSON WAY
MIDLAND, GA 31820
(706)-569-9500

PROJECT: MCSD ELEMENTARY SCHOOL NO. 8

LOCATION: 180 NORTHSTAR DRIVE
COLUMBUS, GA 31907

DRAWN BY:	DATE:
DJ	8.1.22
CHECKED BY:	DATE:
CJ	8.1.22



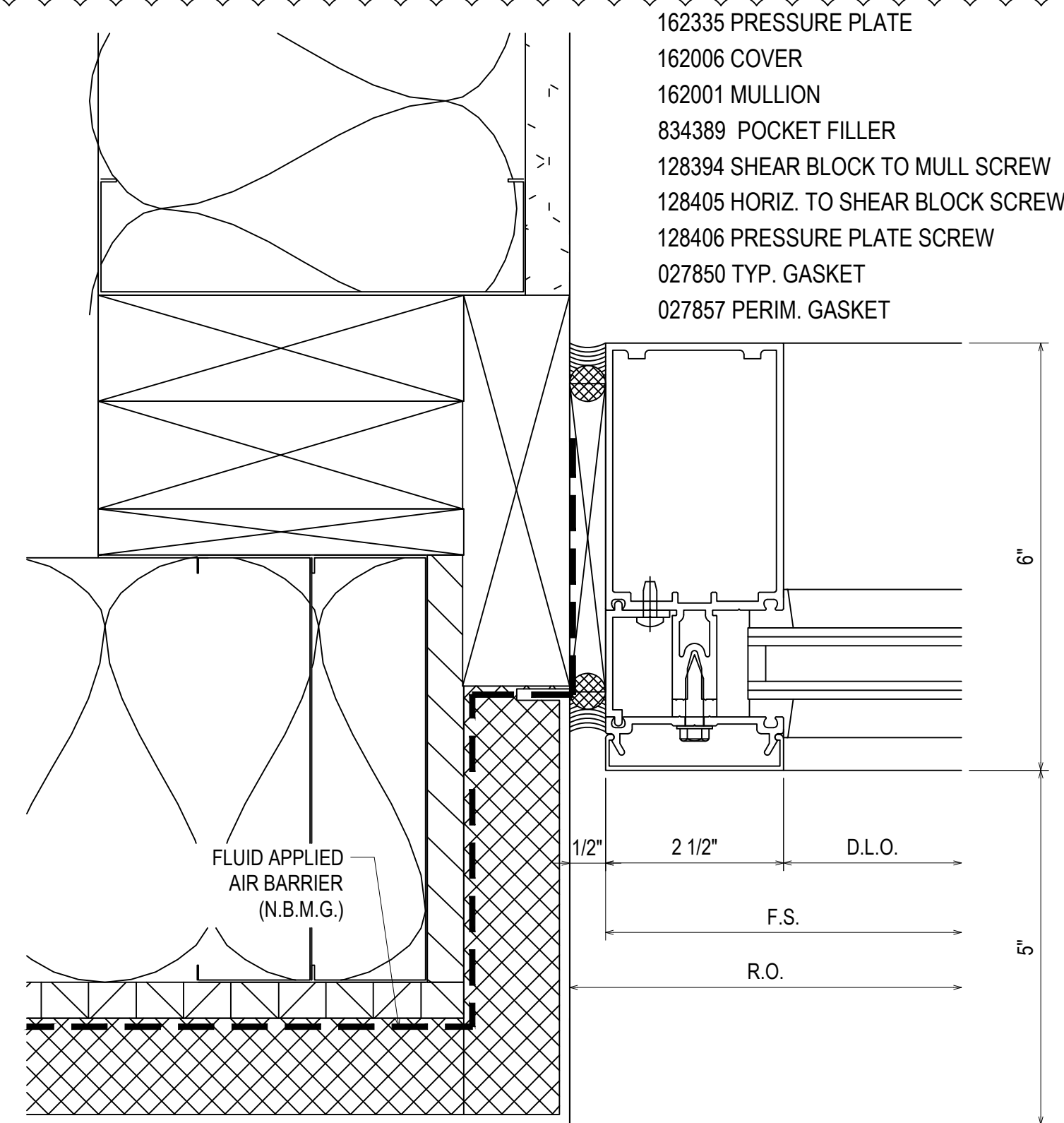
1ST SUBMISSION	8.1.22
1ST REVISION	10.12.22
2ND REVISION	12.16.22
NO	DESCRIPTION
NO	DATE
DRAWING SUBMISSION	

ERECTOR:
MUSCOGEE GLASS
 6922 JAMESSON WAY
 MIDLAND, GA 31820
 (706)-569-9500

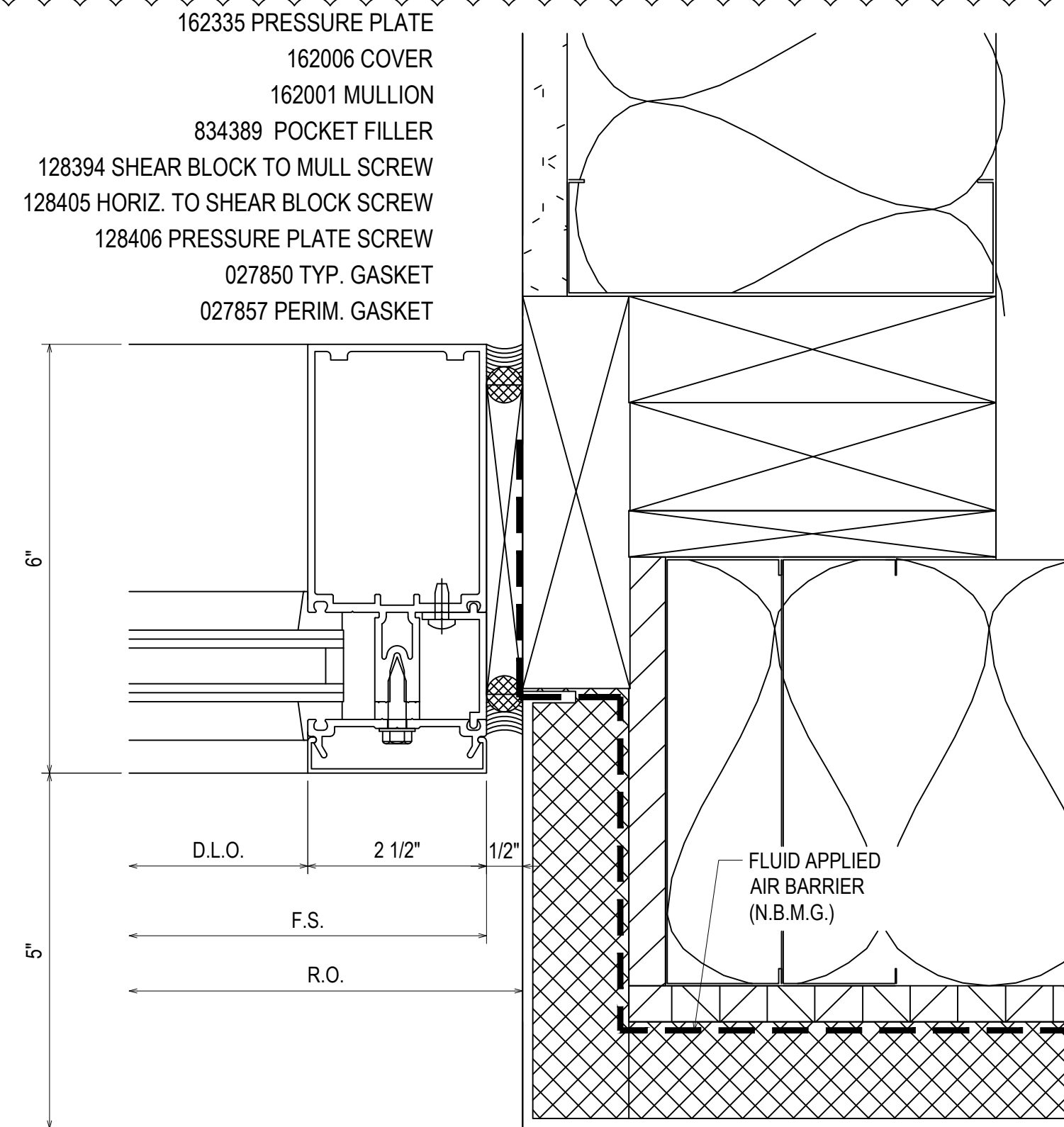
PROJECT: MCSD ELEMENTARY SCHOOL NO. 8

LOCATION: 180 NORTHSTAR DRIVE
 COLUMBUS, GA 31907

DRAWN BY:	DATE:
DJ	8.1.22
CHECKED BY:	DATE:
CJ	8.1.22

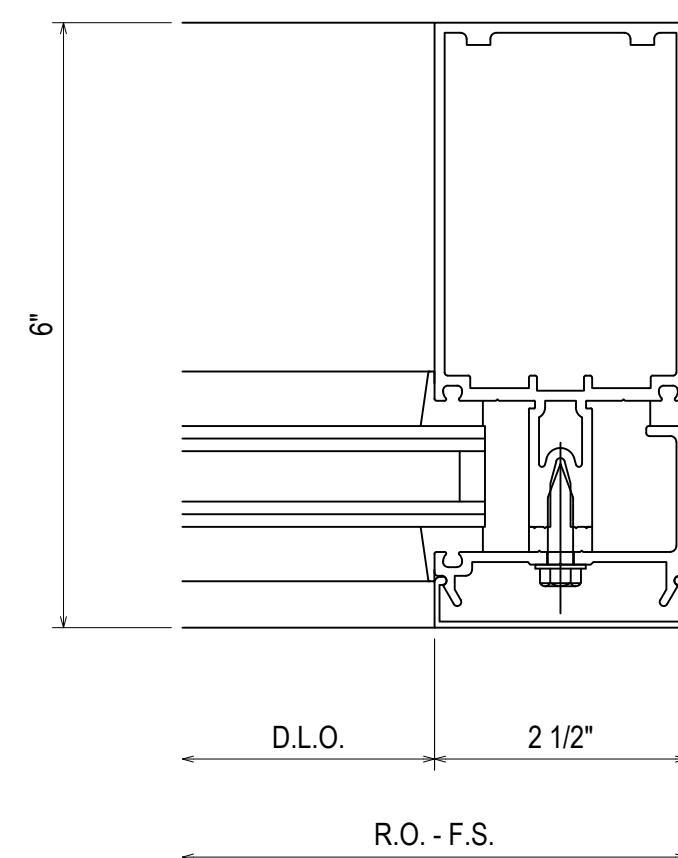


38
3.10
REF: 11/A5.1
CW2 - CW9

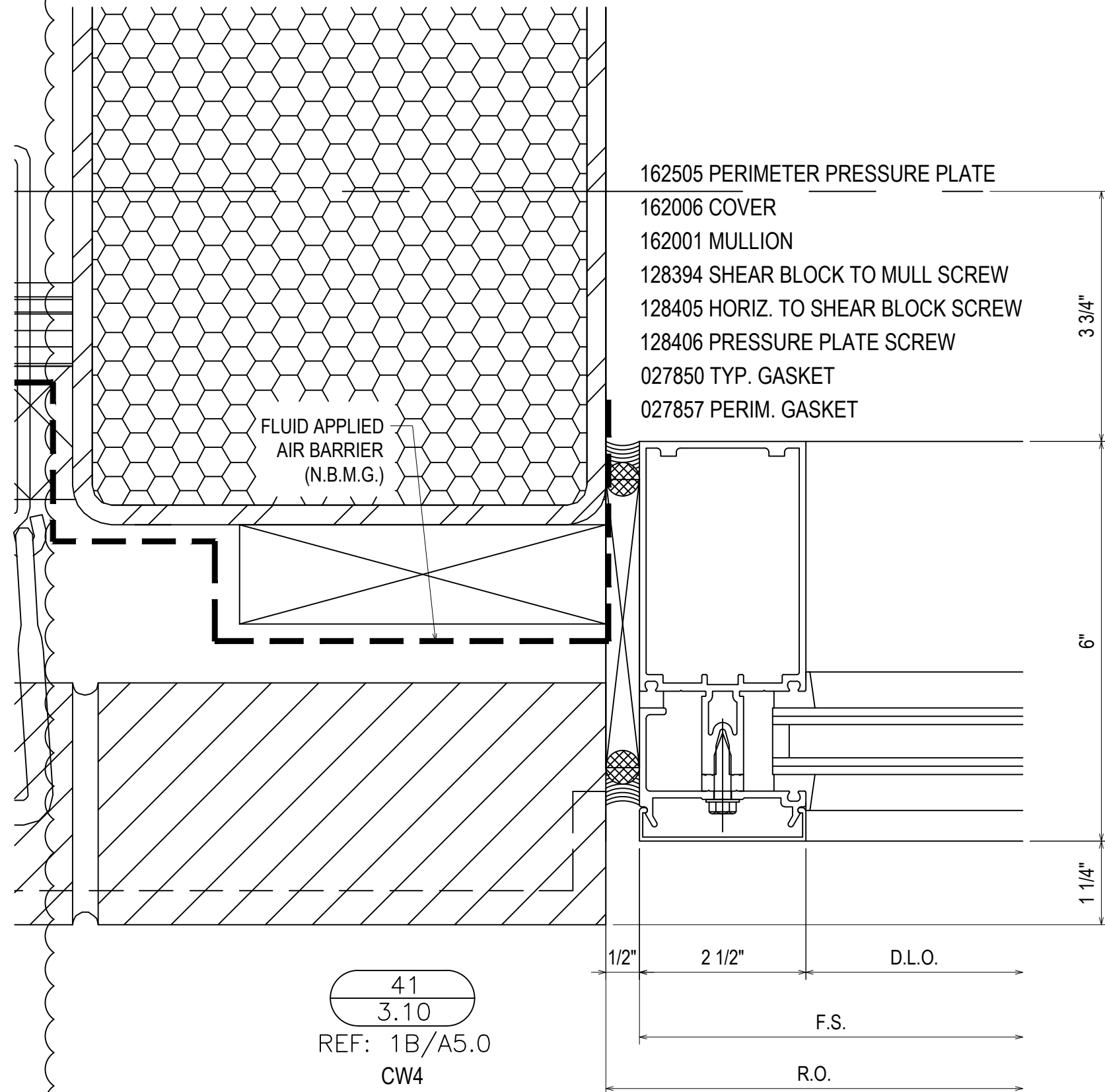


39
3.10
REF: 11/A5.1
CW2 - CW9

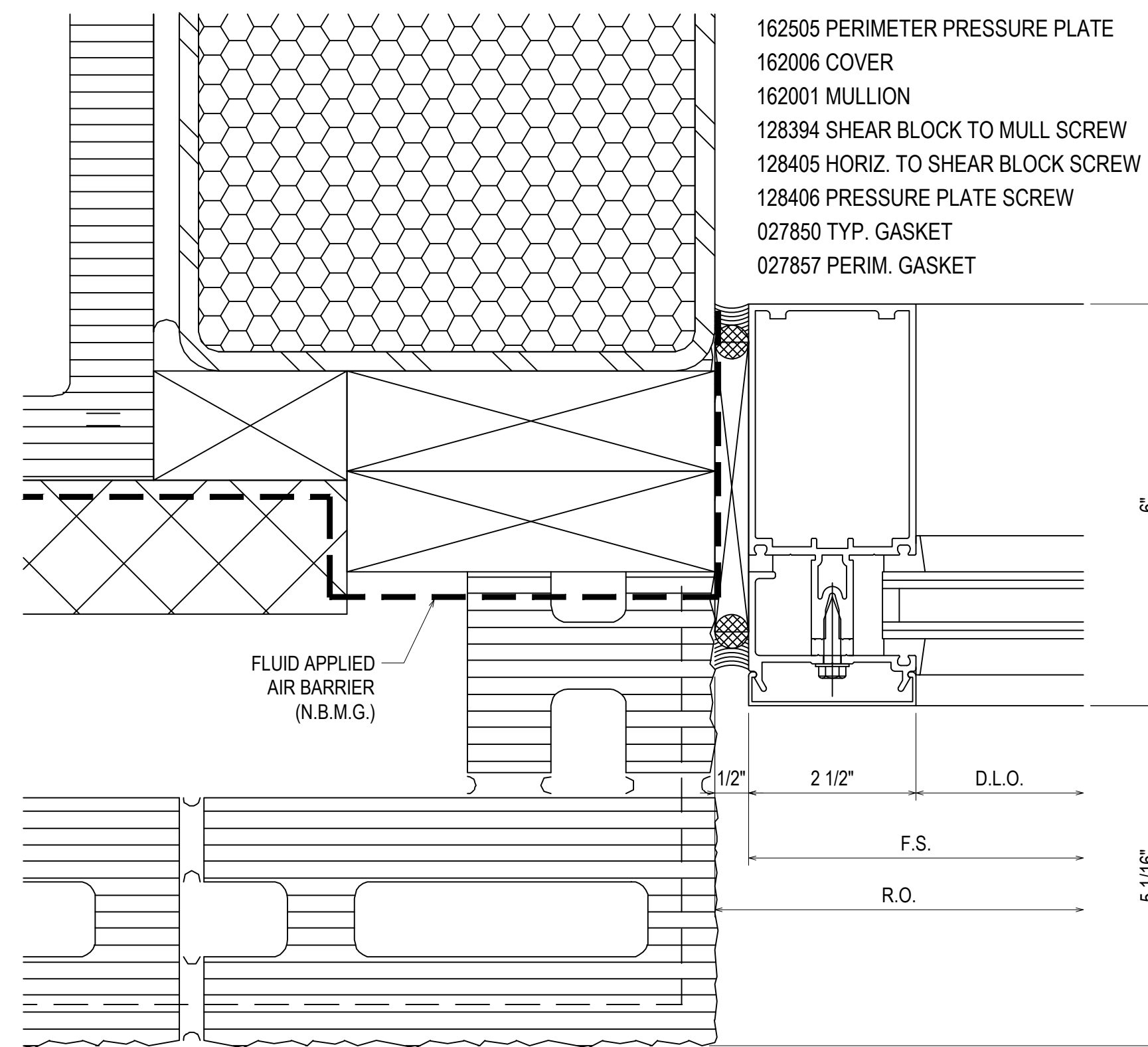
- 162505 PERIMETER PRESSURE PLATE
- 162006 COVER
- 162001 MULLION
- 128394 SHEAR BLOCK TO MULL SCREW
- 128405 HORIZ. TO SHEAR BLOCK SCREW
- 128406 PRESSURE PLATE SCREW
- 027850 TYP. GASKET
- 027857 PERIM. GASKET



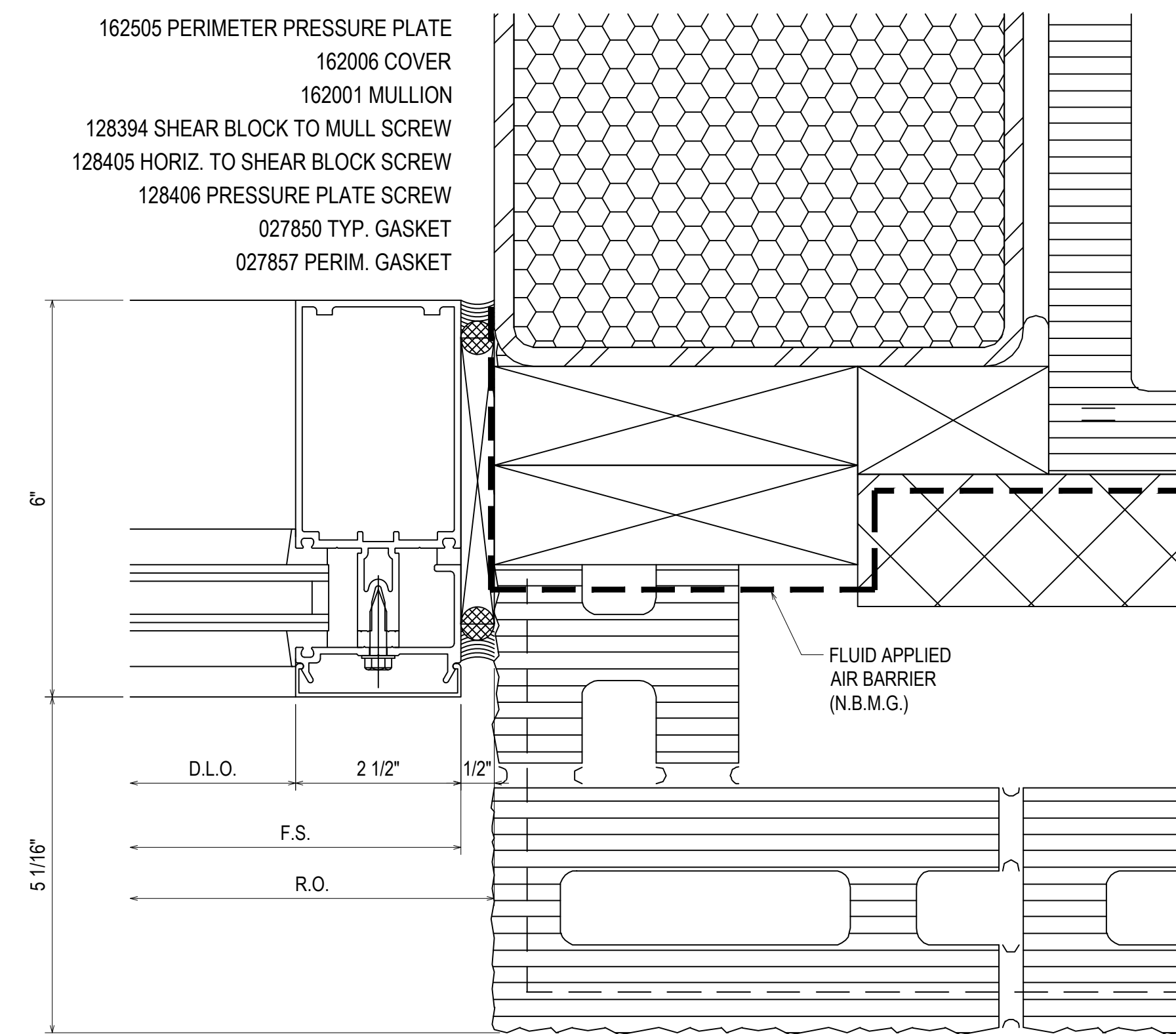
40
3.10
REF: N/A
CW3



41
3.10
REF: 1B/A5.0
CW4



42
3.10
REF: 21/A2.5
CW4R



43
3.10
REF: 21/A2.5
CW4

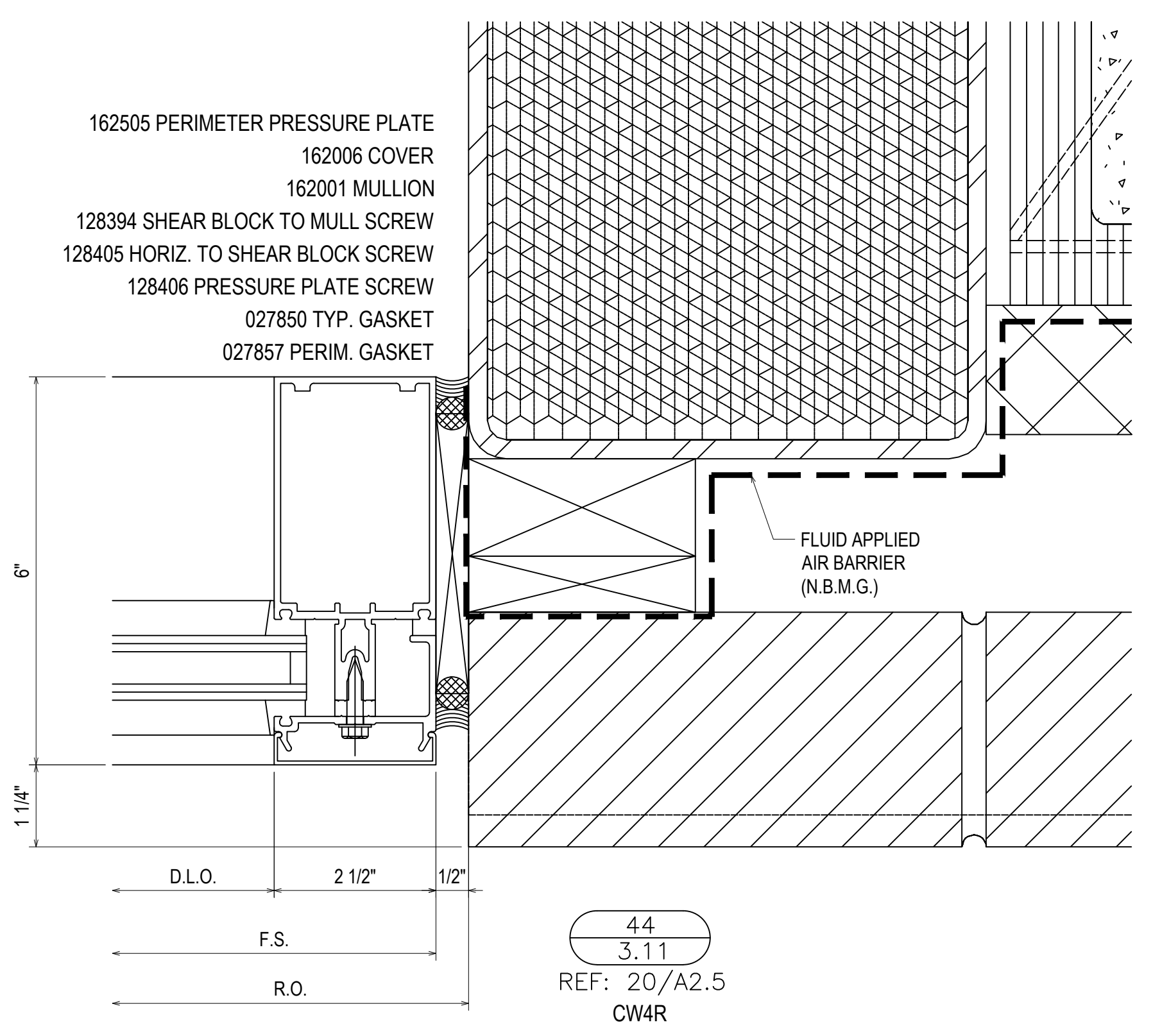
8.1.22	1ST SUBMISSION	NO	DESCRIPTION	DATE
10.12.22	1ST REVISION			
12.16.22	2ND REVISION			
			DRAWING SUBMISSION	

ERECTOR:
MUSCOGEE GLASS
6922 JAMESSON WAY
MIDLAND, GA 31820
(706)-569-9500

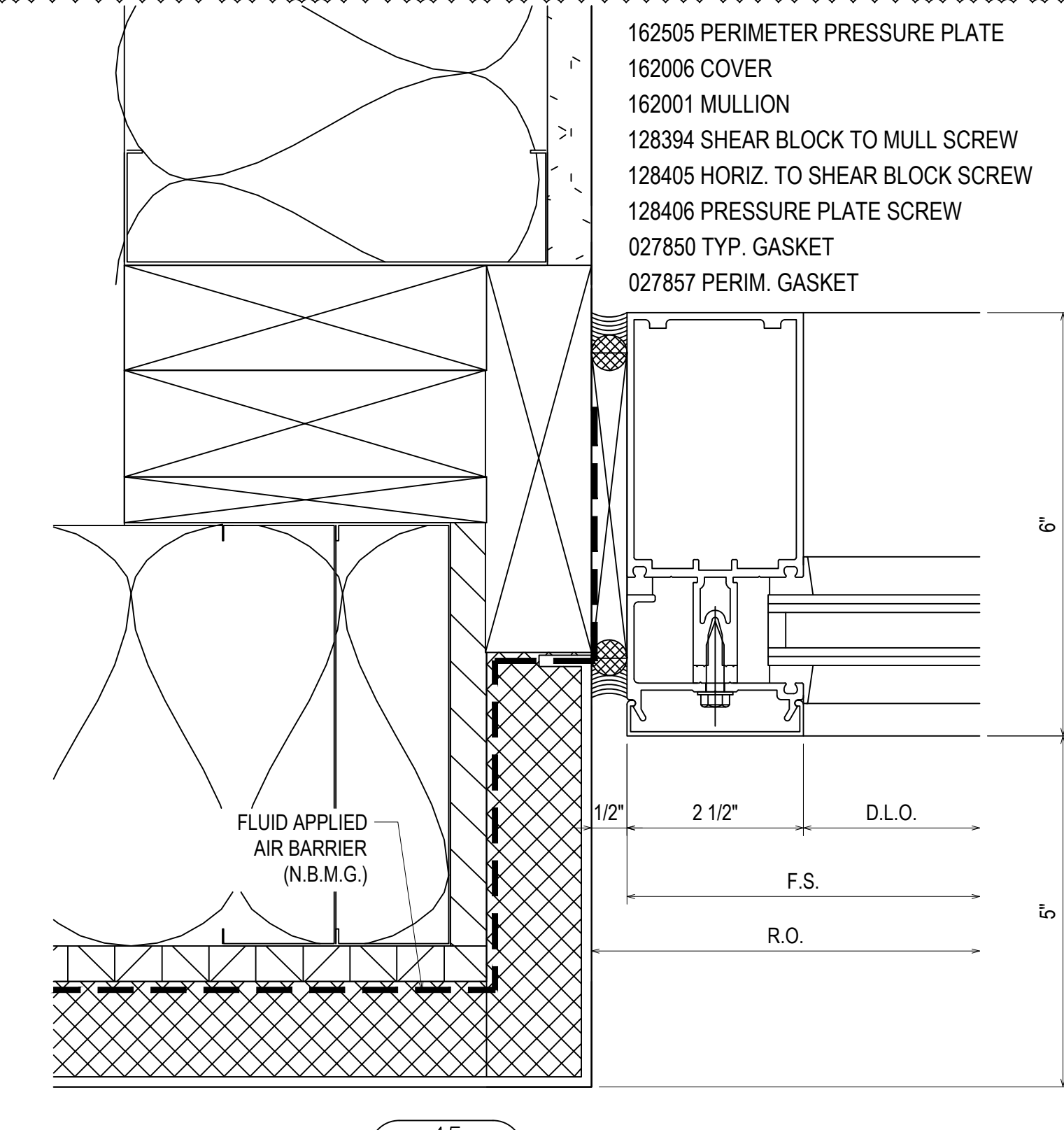
PROJECT: MCSD ELEMENTARY SCHOOL NO. 8

LOCATION: 180 NORTHSTAR DRIVE
COLUMBUS, GA 31907

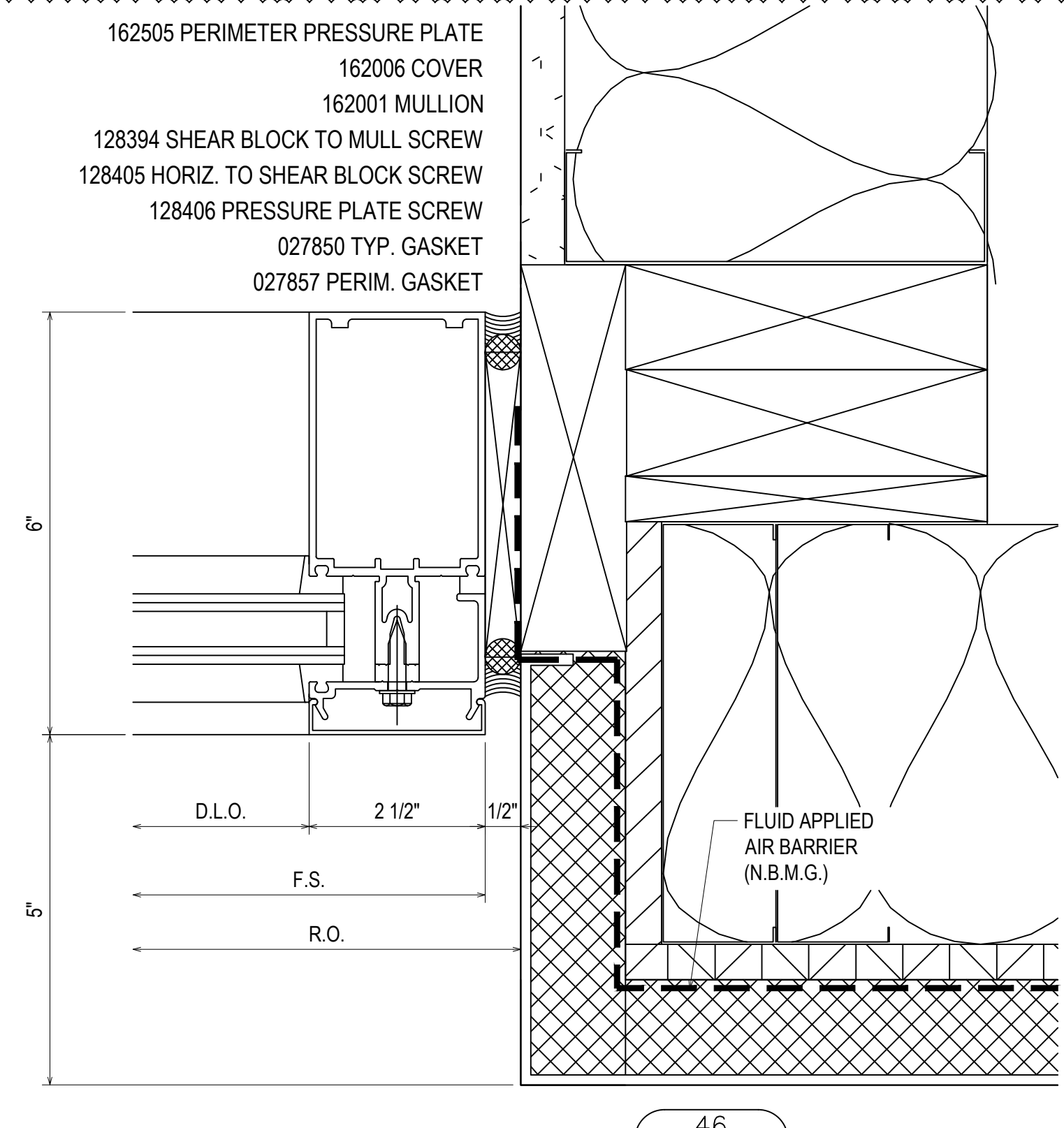
DRAWN BY:	DATE:
DJ	8.1.22
CHECKED BY:	DATE:
CJ	8.1.22



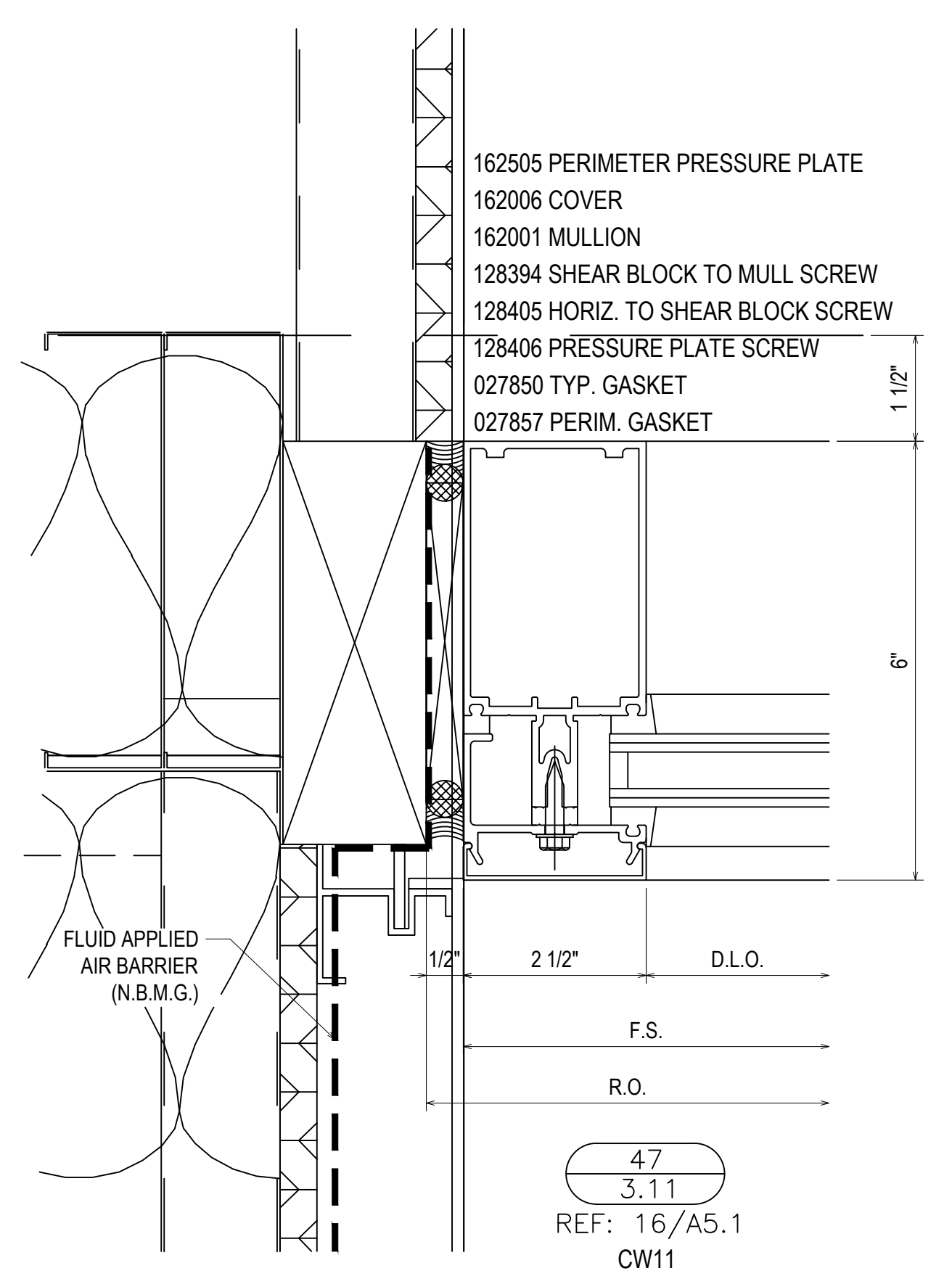
44
3.11
REF: 20/A2.5
CW4R



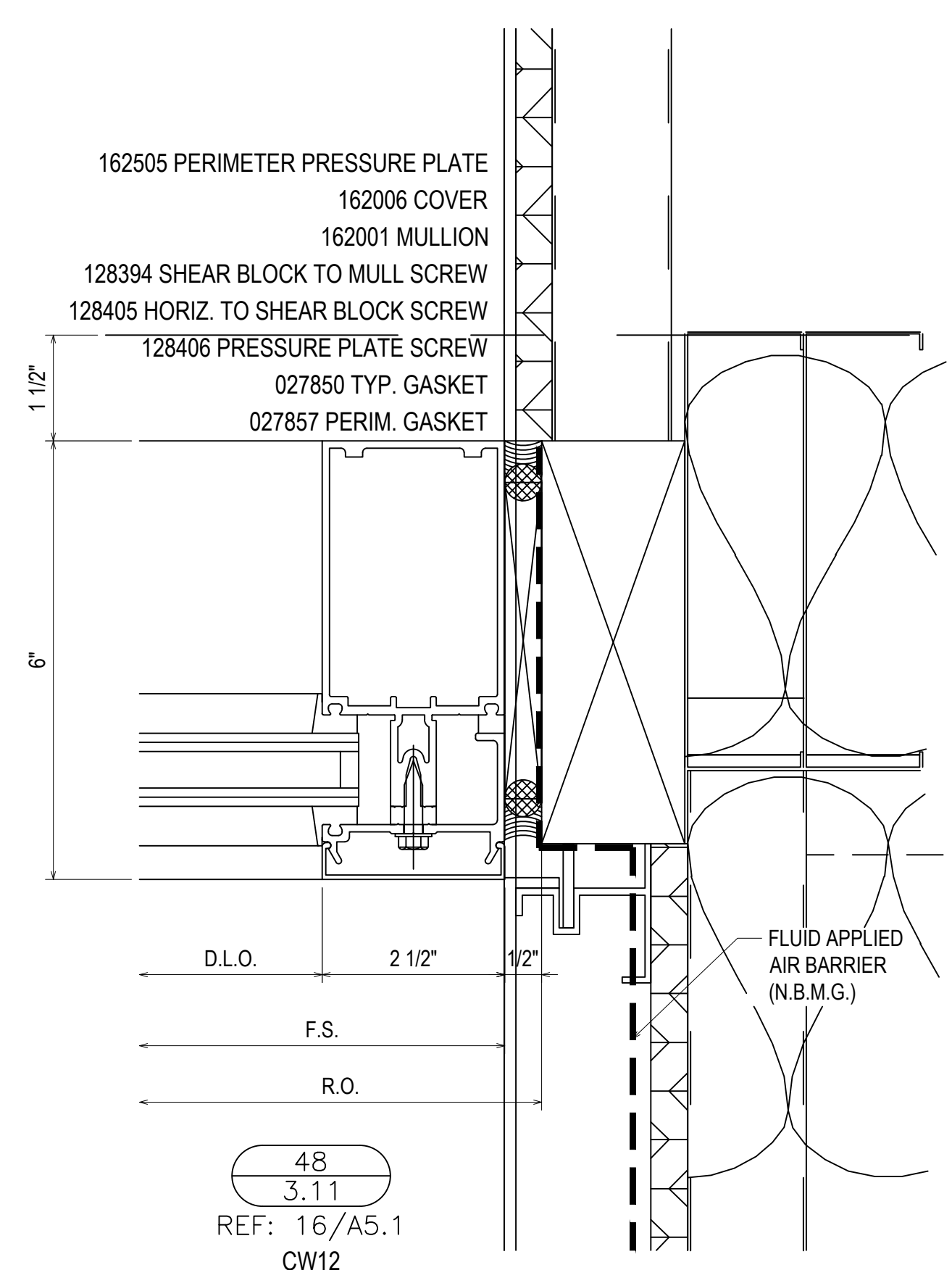
45
3.11
REF: 11/A5.1
CW6



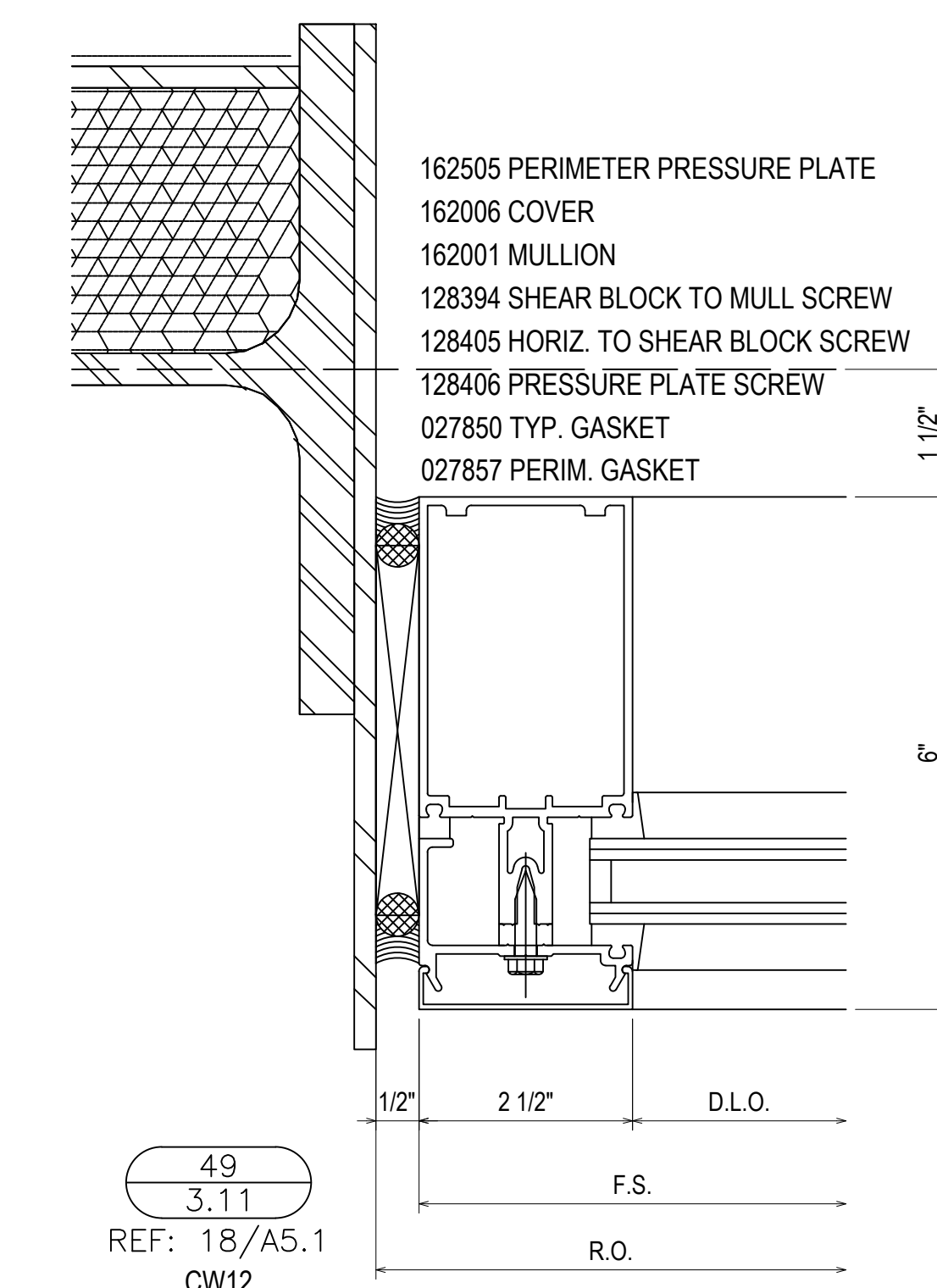
46
3.11
REF: 11/A5.1
CW7



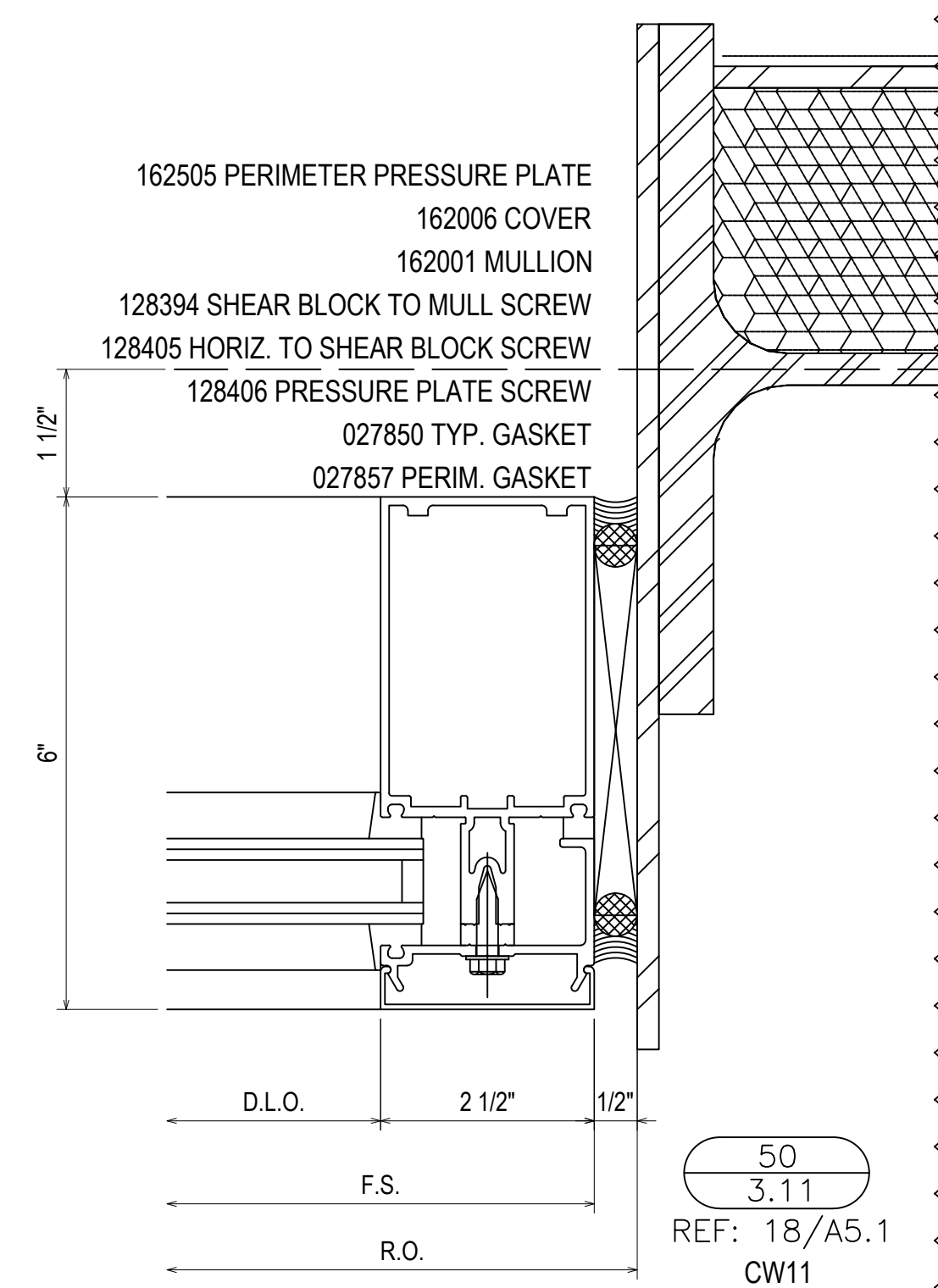
47
3.11
REF: 16/A5.1
CW11



48
3.11
REF: 16/A5.1
CW12



49
3.11
REF: 18/A5.1
CW12



50
3.11
REF: 18/A5.1
CW11

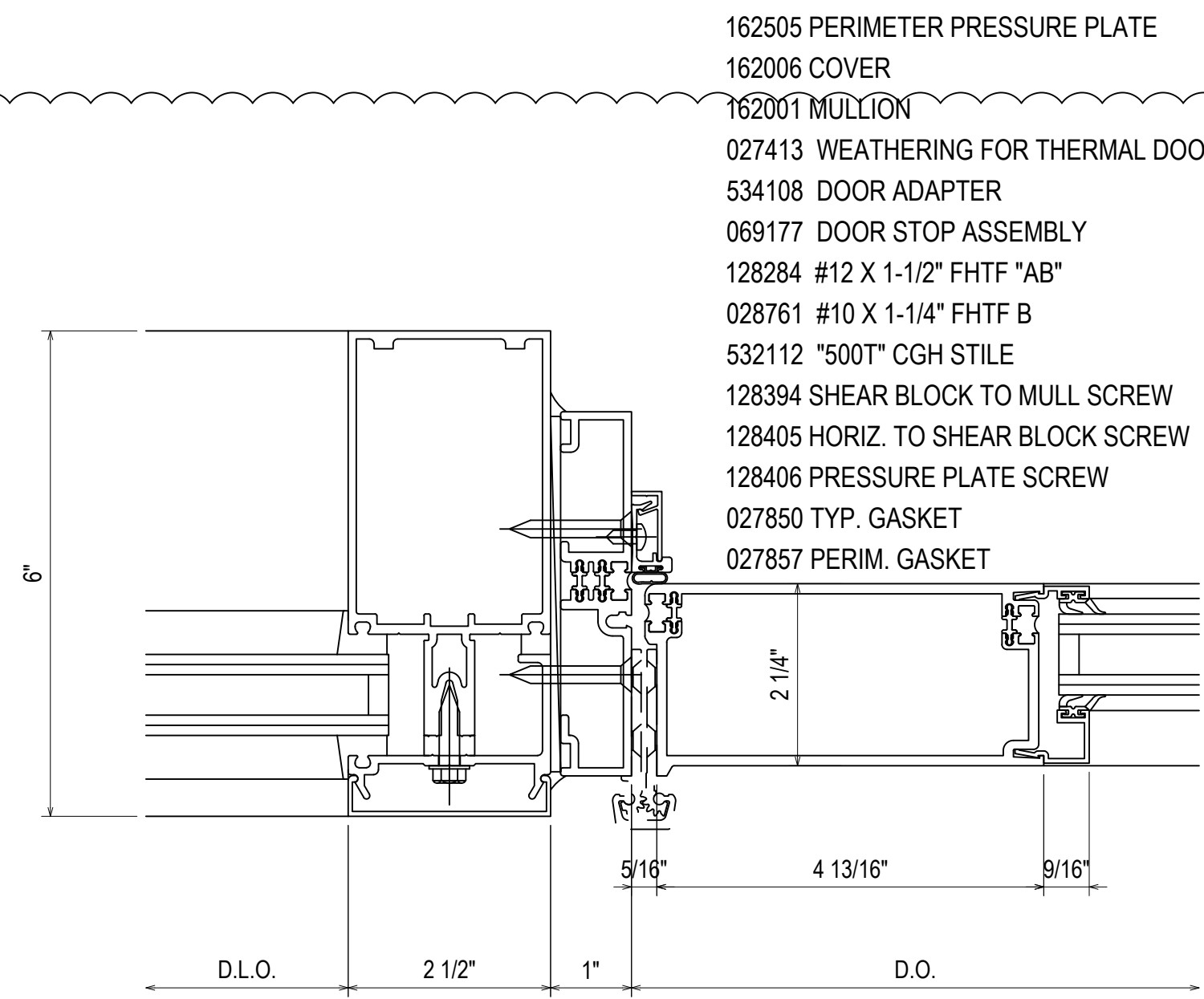
1ST SUBMISSION	8.1.22
1ST REVISION	10.12.22
2ND REVISION	12.16.22
NO	NO
DESCRIPTION	DATE
DRAWING SUBMISSION	

ERECTOR:
MUSCOGEE GLASS
6922 JAMESSON WAY
MIDLAND, GA 31820
(706)-569-9500

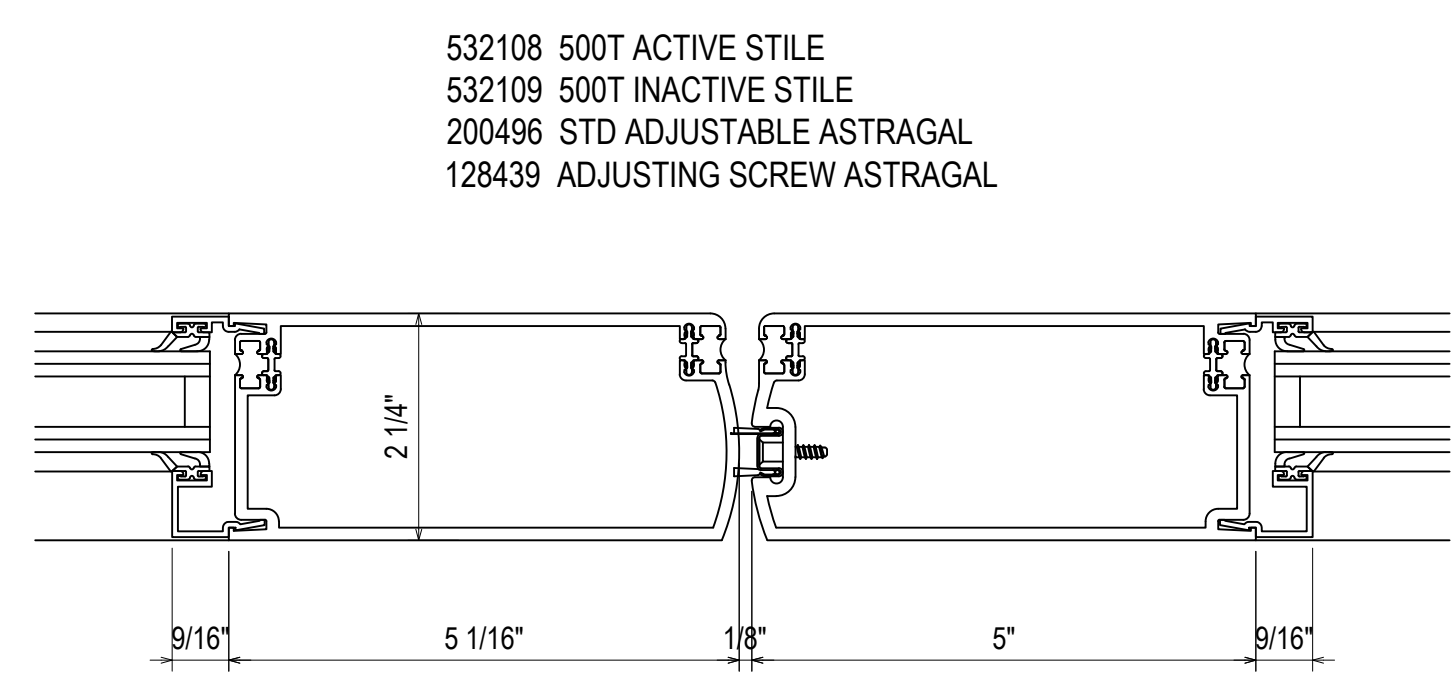
PROJECT: MCSD ELEMENTARY SCHOOL NO. 8

LOCATION: 180 NORTHSTAR DRIVE
COLUMBUS, GA 31907

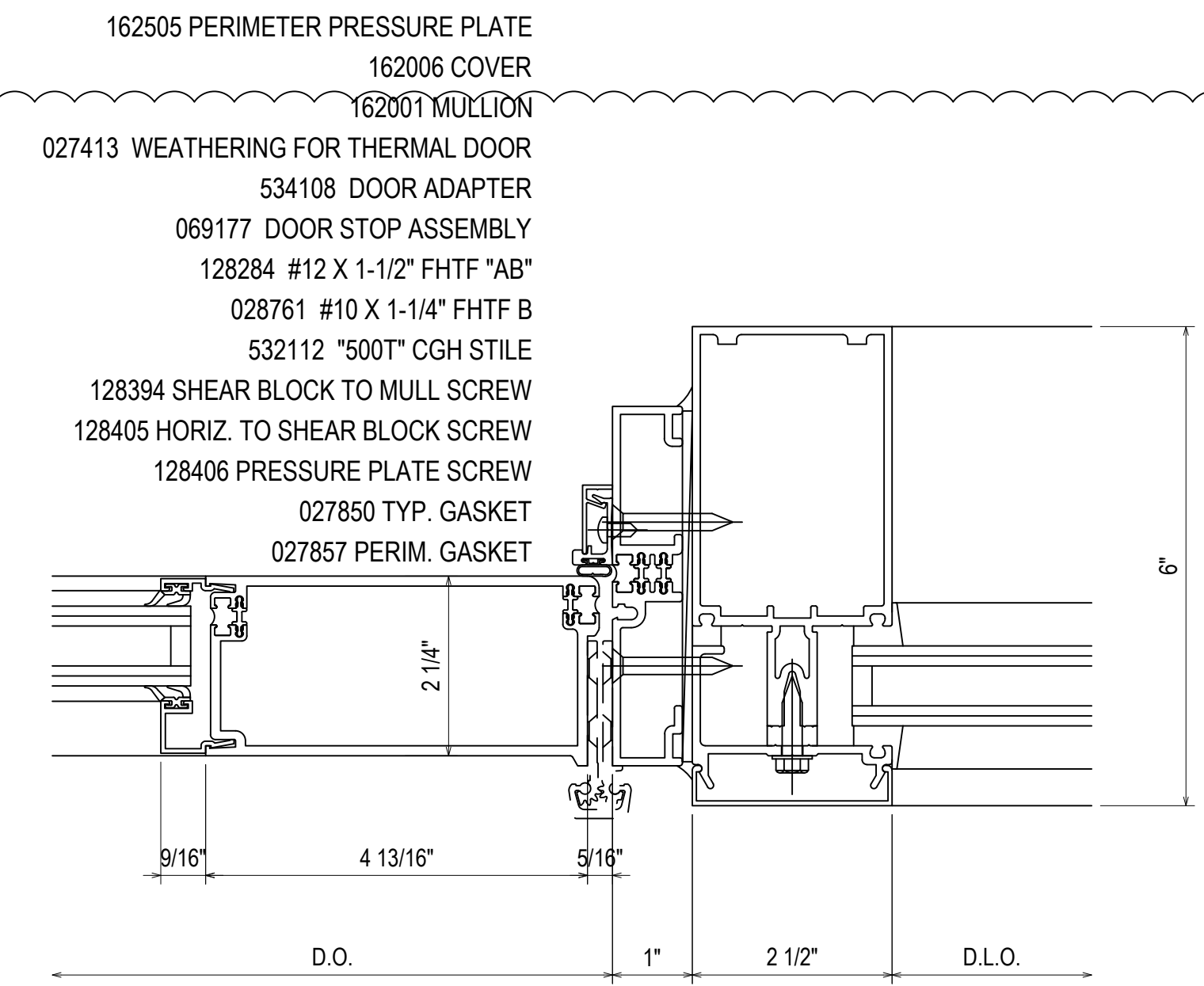
DRAWN BY:	DATE:
DJ	8.1.22
CHECKED BY:	DATE:
CJ	8.1.22



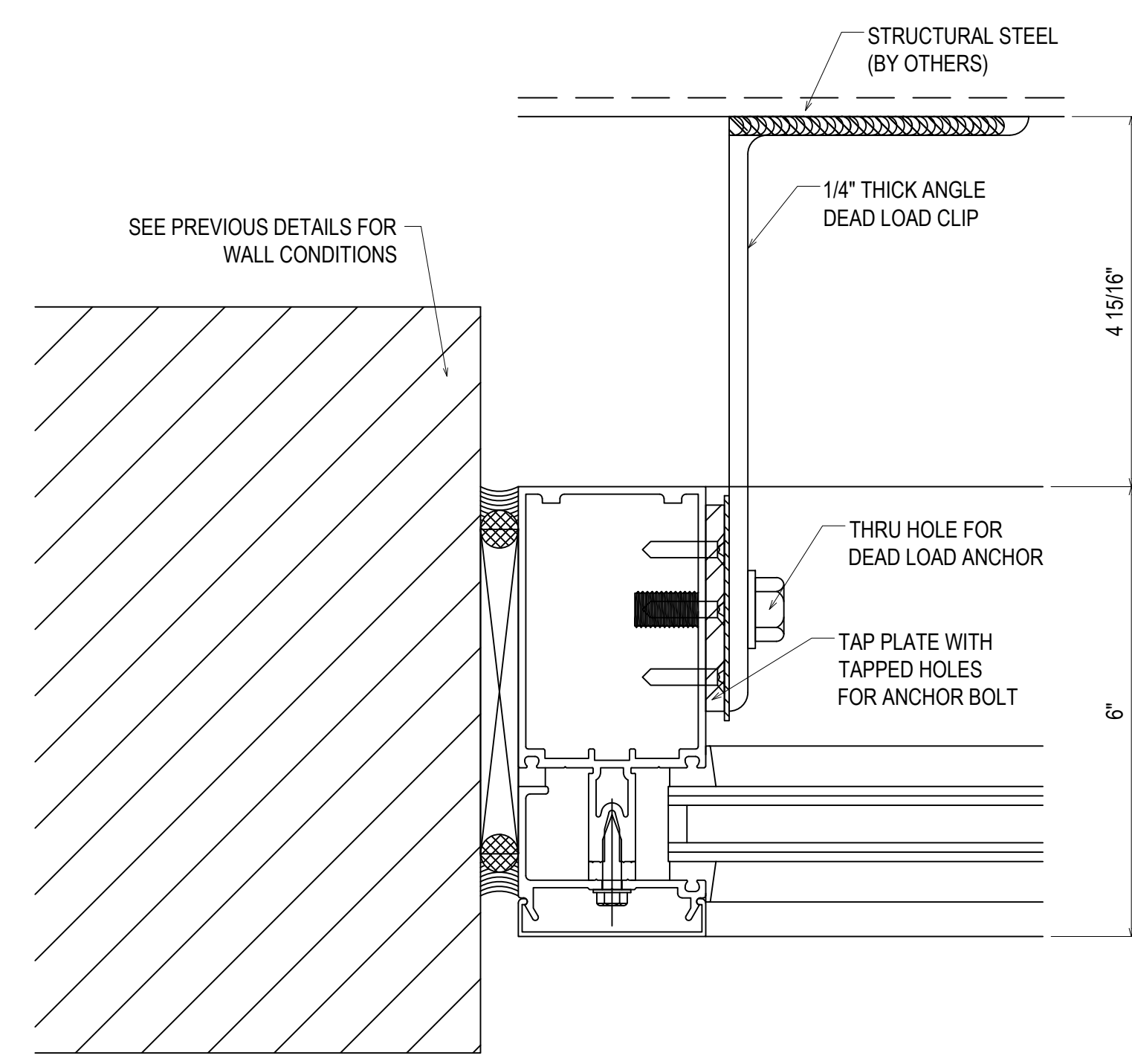
51
3.12
REF: N/A
CW9



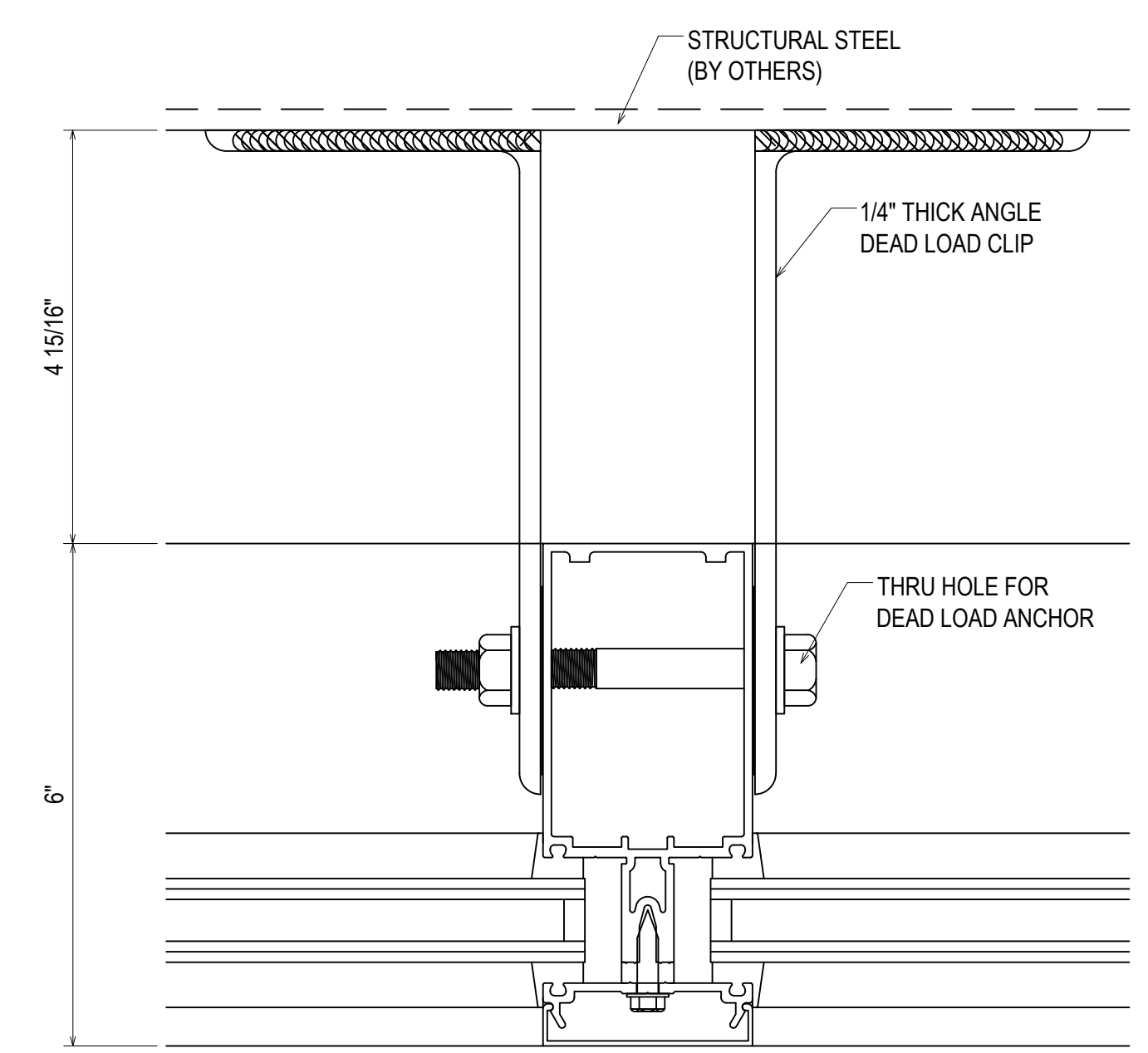
52
3.12
REF: N/A
CW9



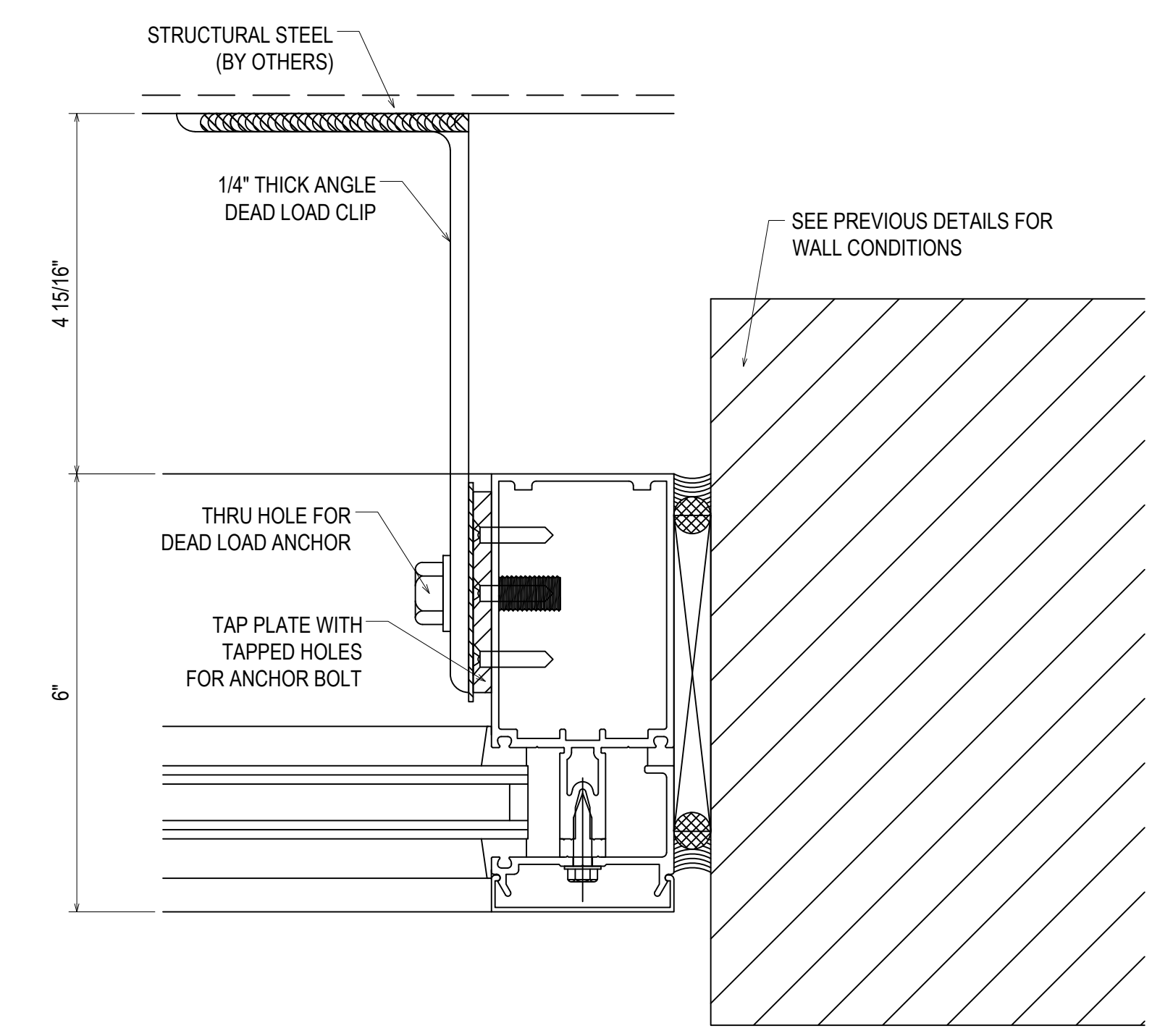
53
3.12
REF: N/A
CW9



54
3.12
REF: N/A
CW2



55
3.12
REF: N/A
CW1



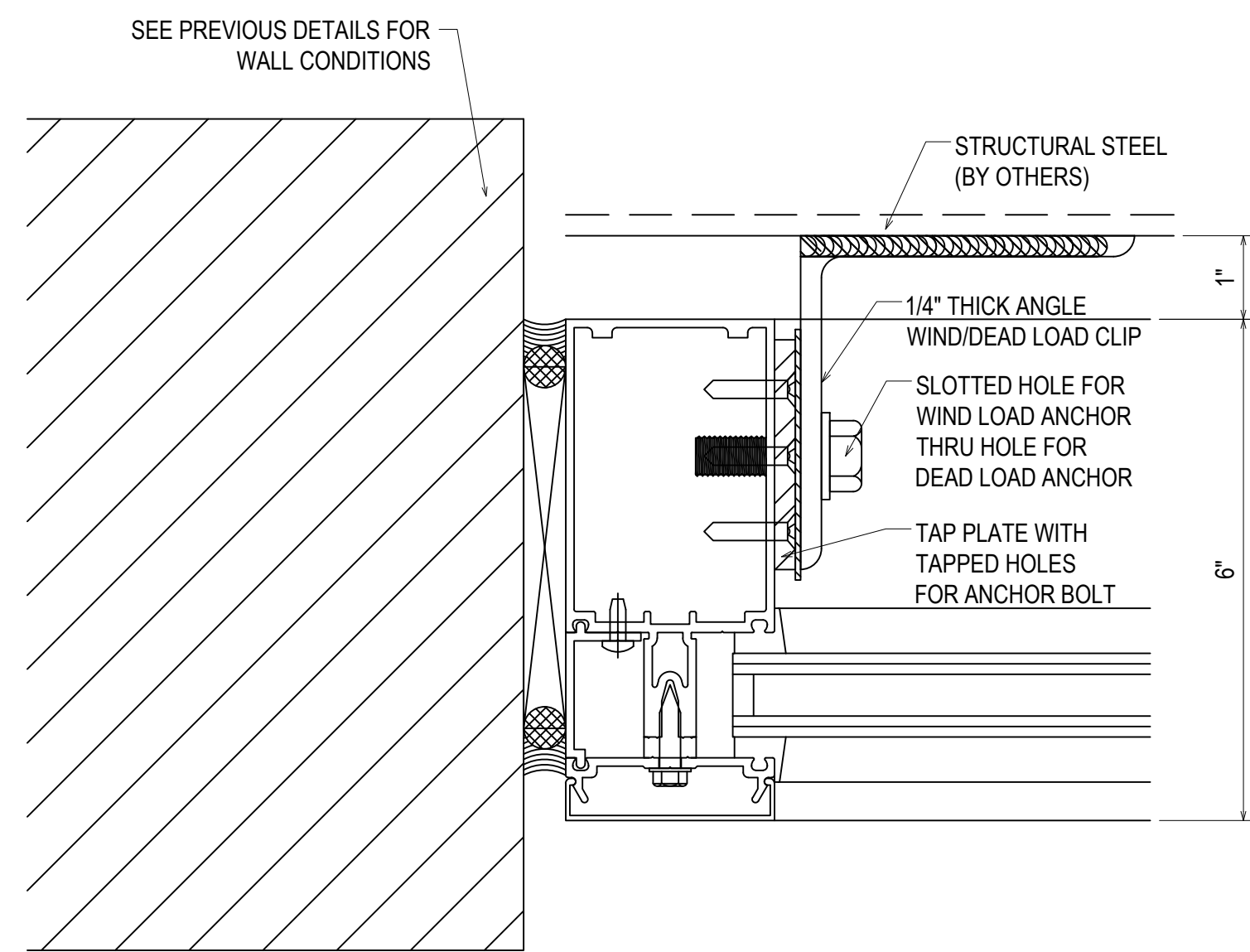
56
3.12
REF: N/A
CW1

1ST SUBMISSION	8.1.22
1ST REVISION	10.12.22
2ND REVISION	12.1.6.22
NO	DATE
DESCRIPTION	DRAWING SUBMISSION

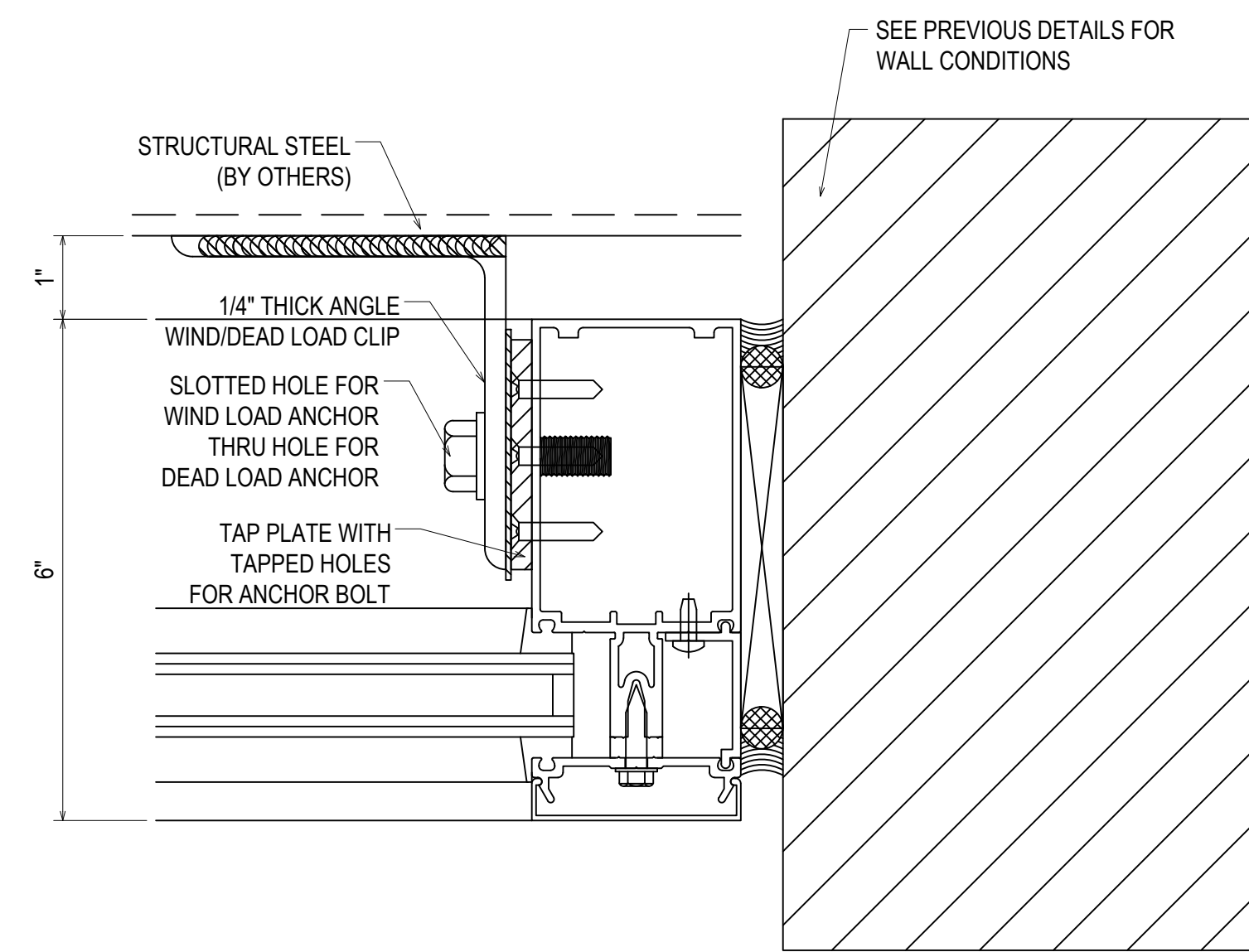
ERECTOR:
MUSCOGEE GLASS
6922 JAMESSON WAY
MIDLAND, GA 31820
(706)-569-9500

PROJECT: MCSD ELEMENTARY SCHOOL NO. 8
LOCATION: 180 NORTHSTAR DRIVE
COLUMBUS, GA 31907

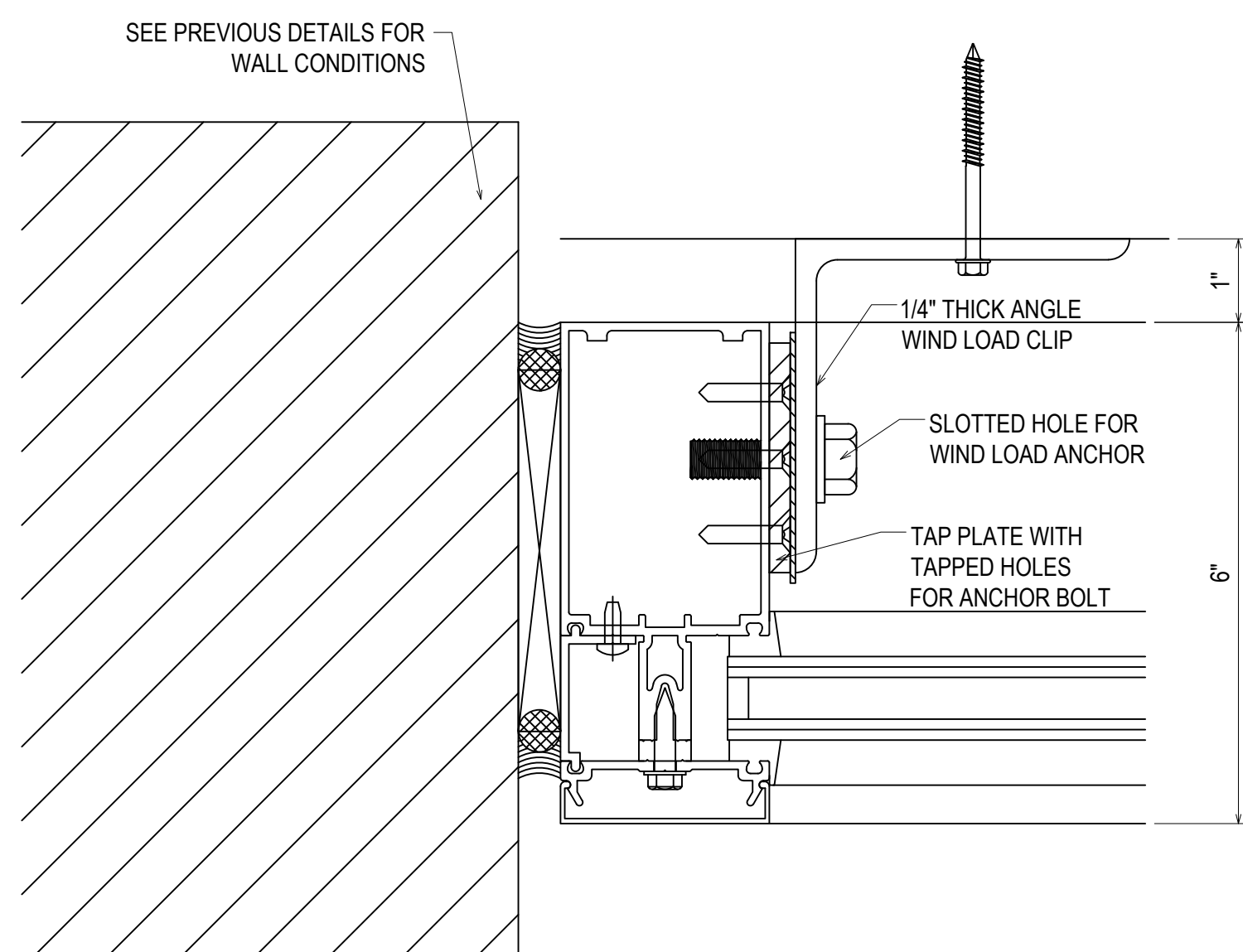
DRAWN BY:	DATE:
DJ	8.1.22
CHECKED BY:	DATE:
CJ	8.1.22



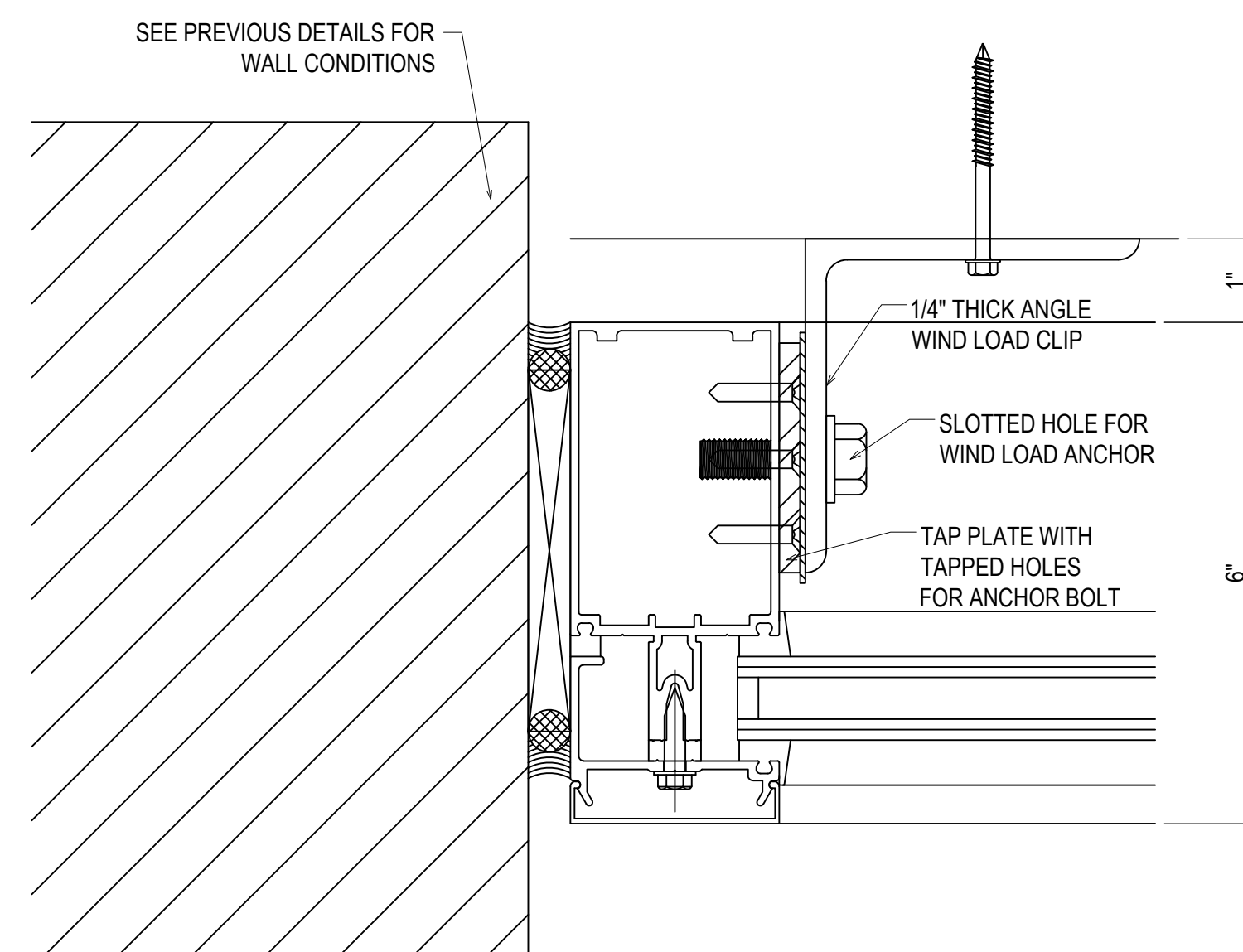
57
3.13
REF: N/A
CW2 - CW8 - CW9 - CW10



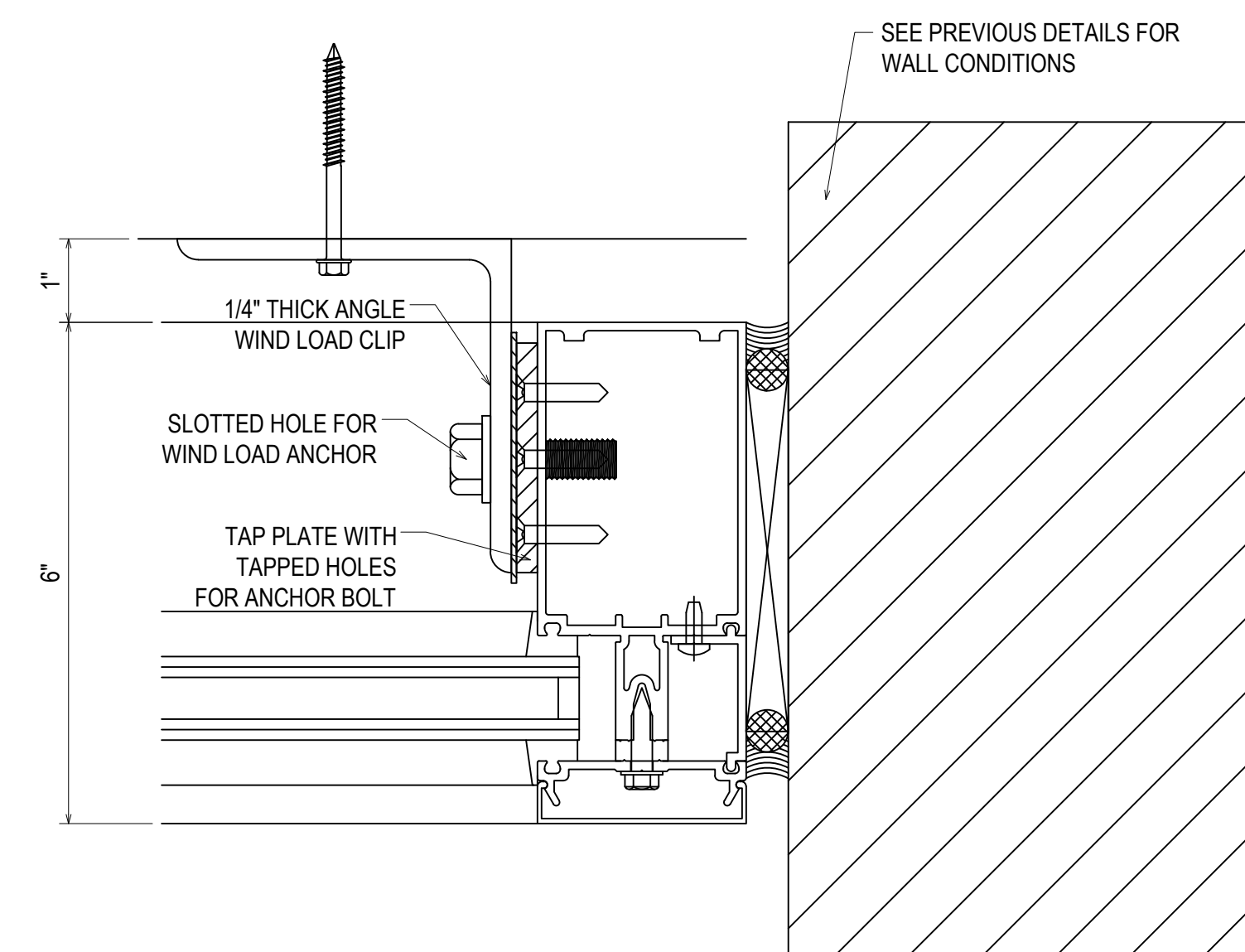
59
3.13
REF: N/A
CW1 - CW2 - CW5 - CW9



60
3.13
REF: N/A
CW2



60A
3.13
REF: N/A
CW2



62
3.13
REF: N/A
CW1 - CW2

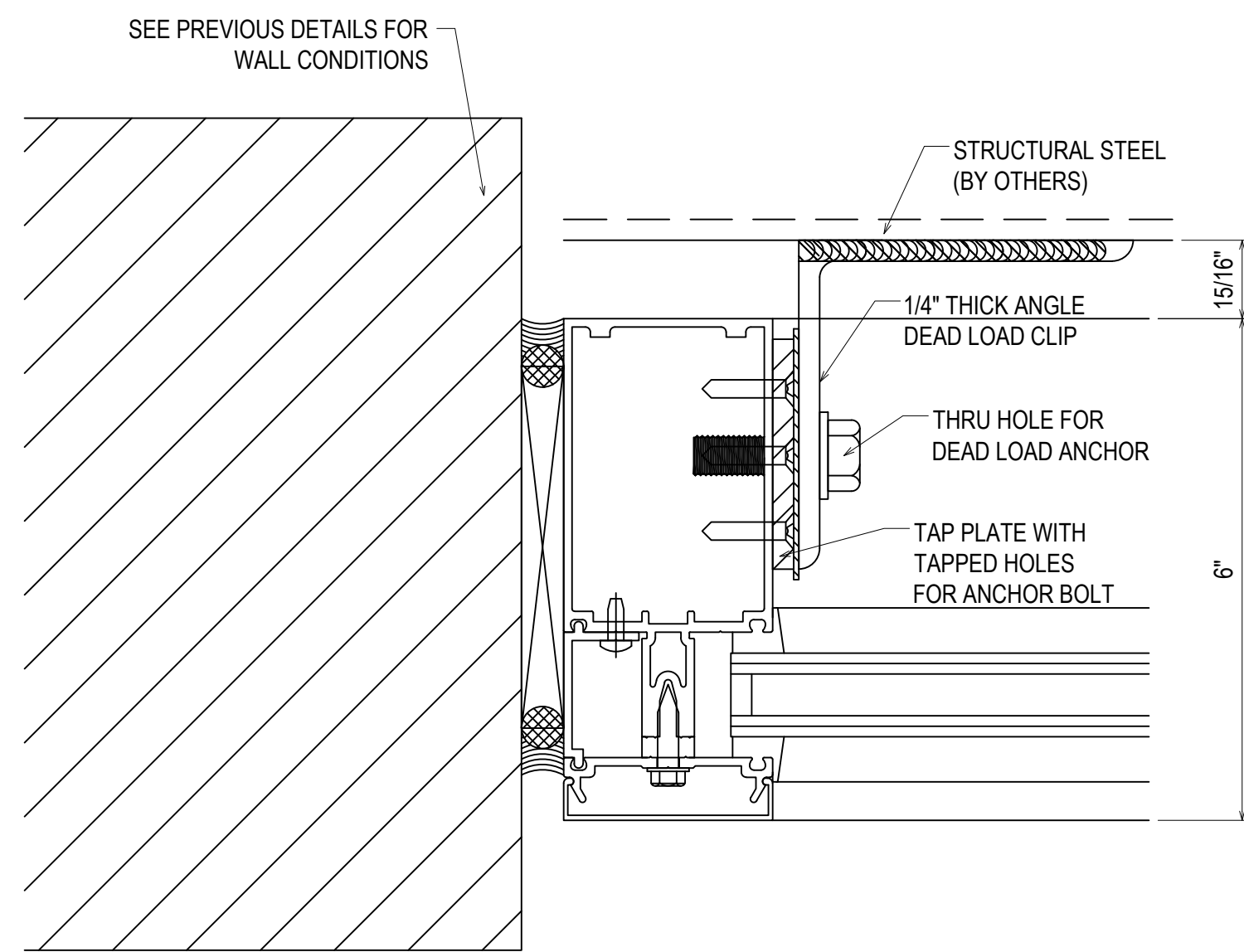
1ST SUBMISSION	8.1.22
1ST REVISION	10.12.22
2ND REVISION	12.16.22
NO	DATE
DRAWING SUBMISSION	

ERECTOR:
MUSCOGEE GLASS
 6922 JAMESSON WAY
 MIDLAND, GA 31820
 (706)-569-9500

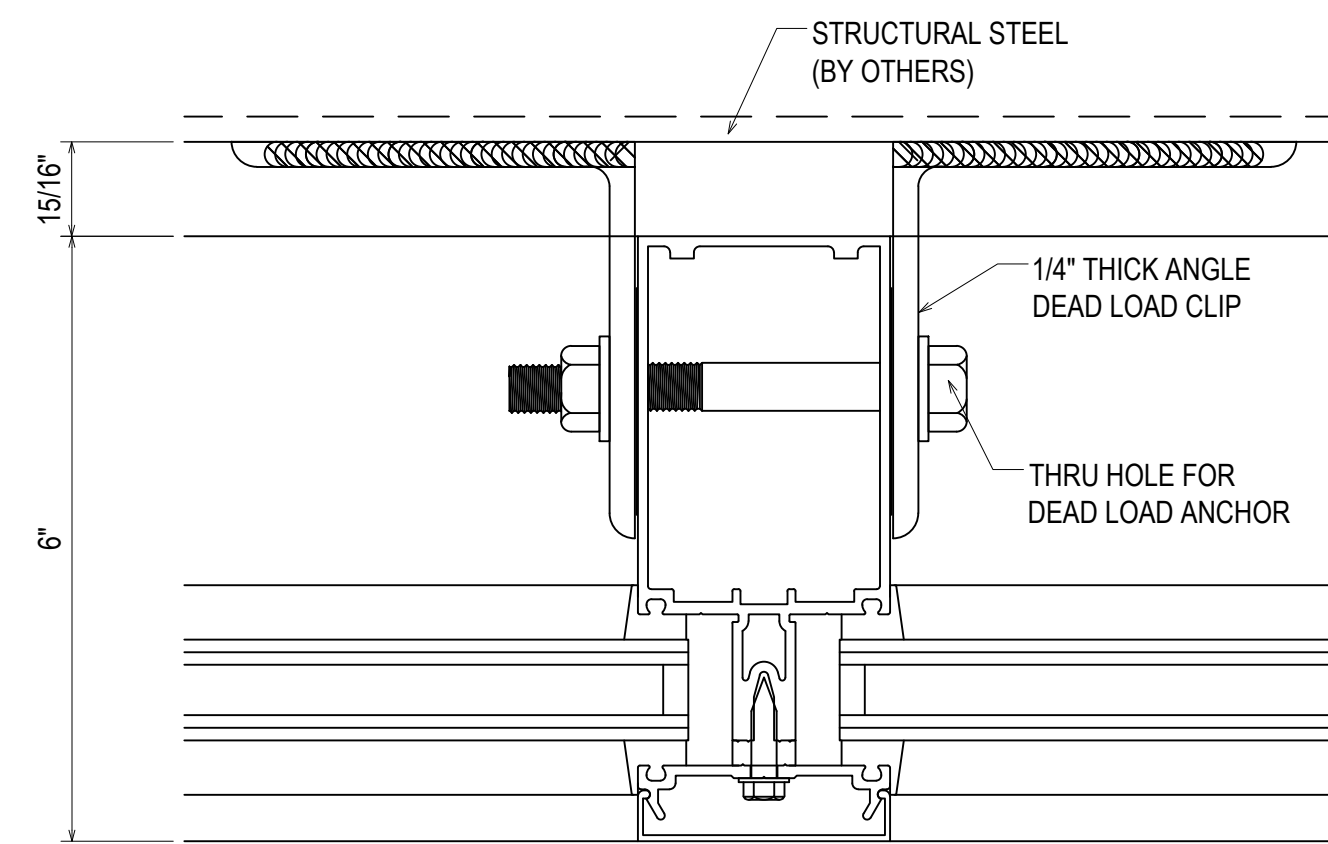
PROJECT: MCSD ELEMENTARY SCHOOL NO. 8

LOCATION: 180 NORTHSTAR DRIVE
 COLUMBUS, GA 31907

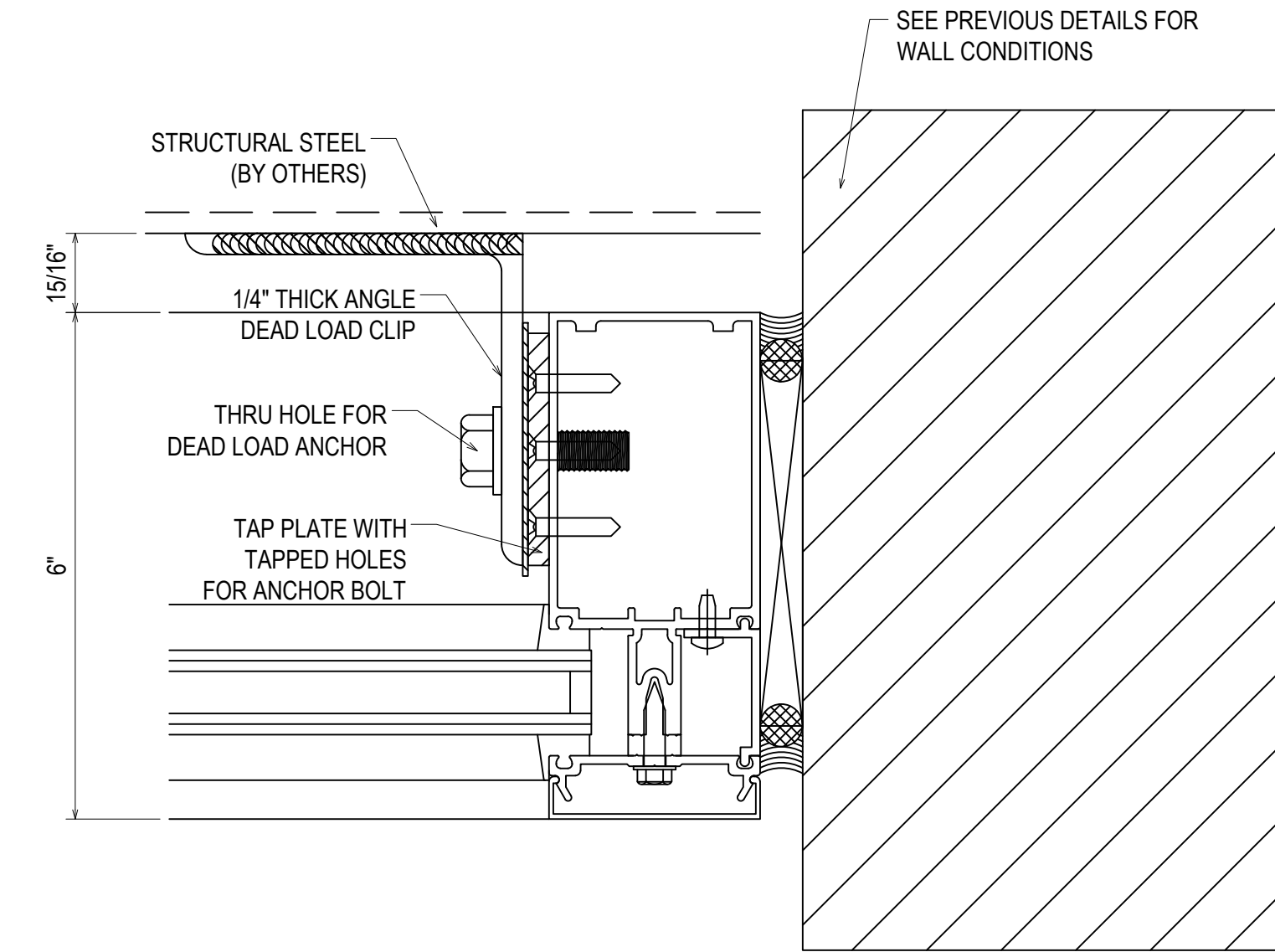
DRAWN BY:	DATE:
DJ	8.1.22
CHECKED BY:	DATE:
CJ	8.1.22



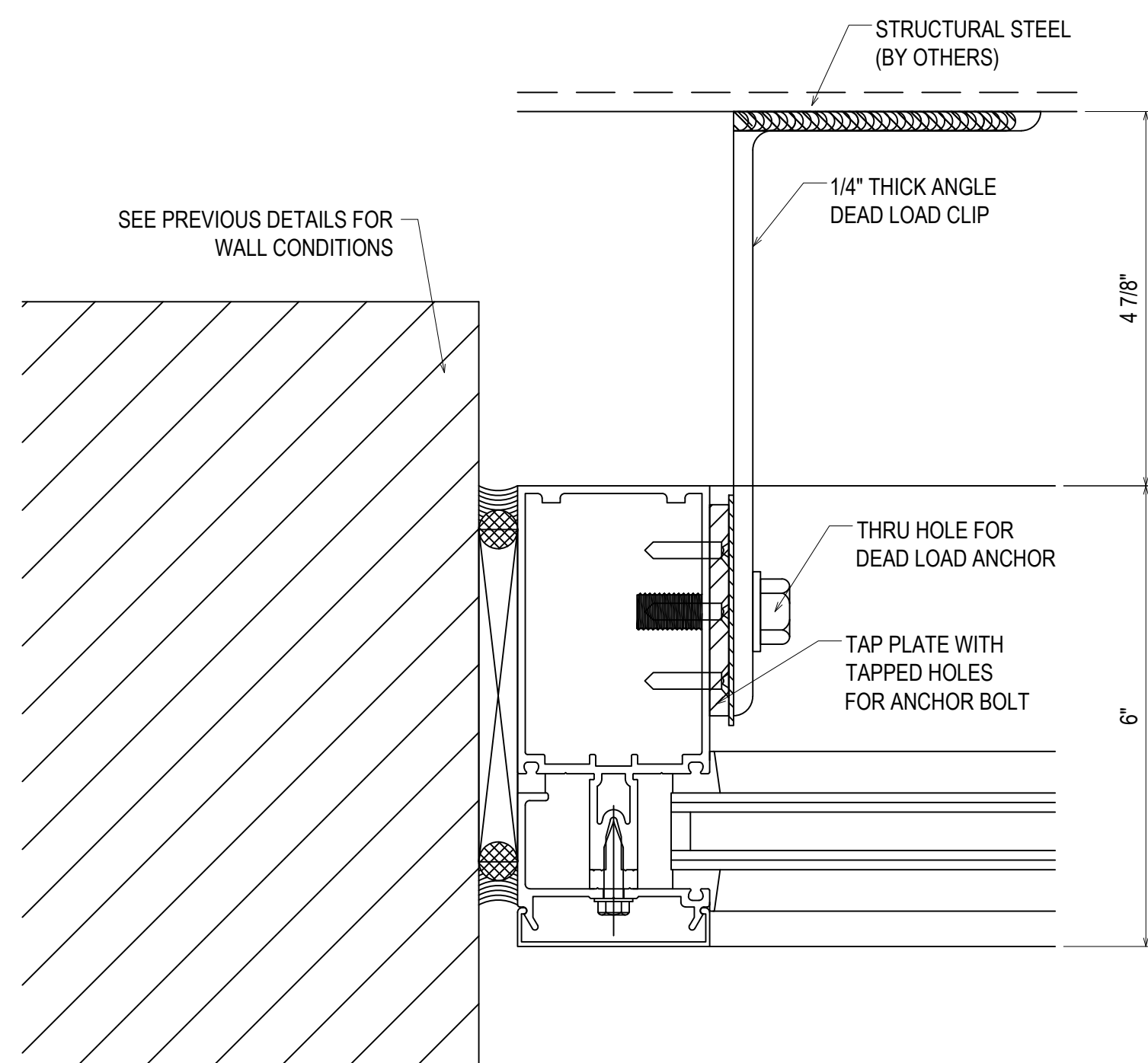
63
3.14
REF: N/A
CW4 - CW4R



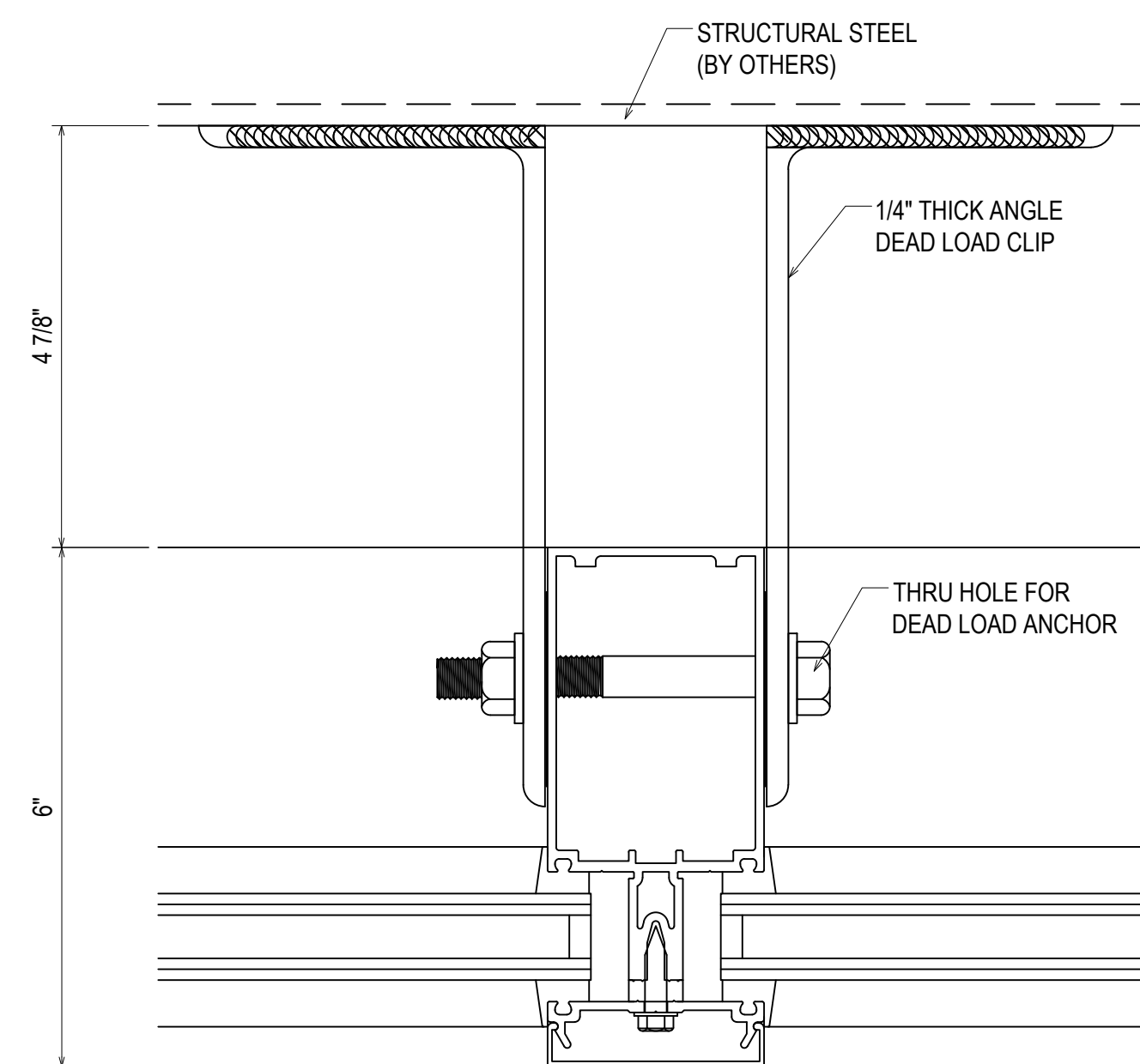
64
3.14
REF: N/A
CW4 - CW4R



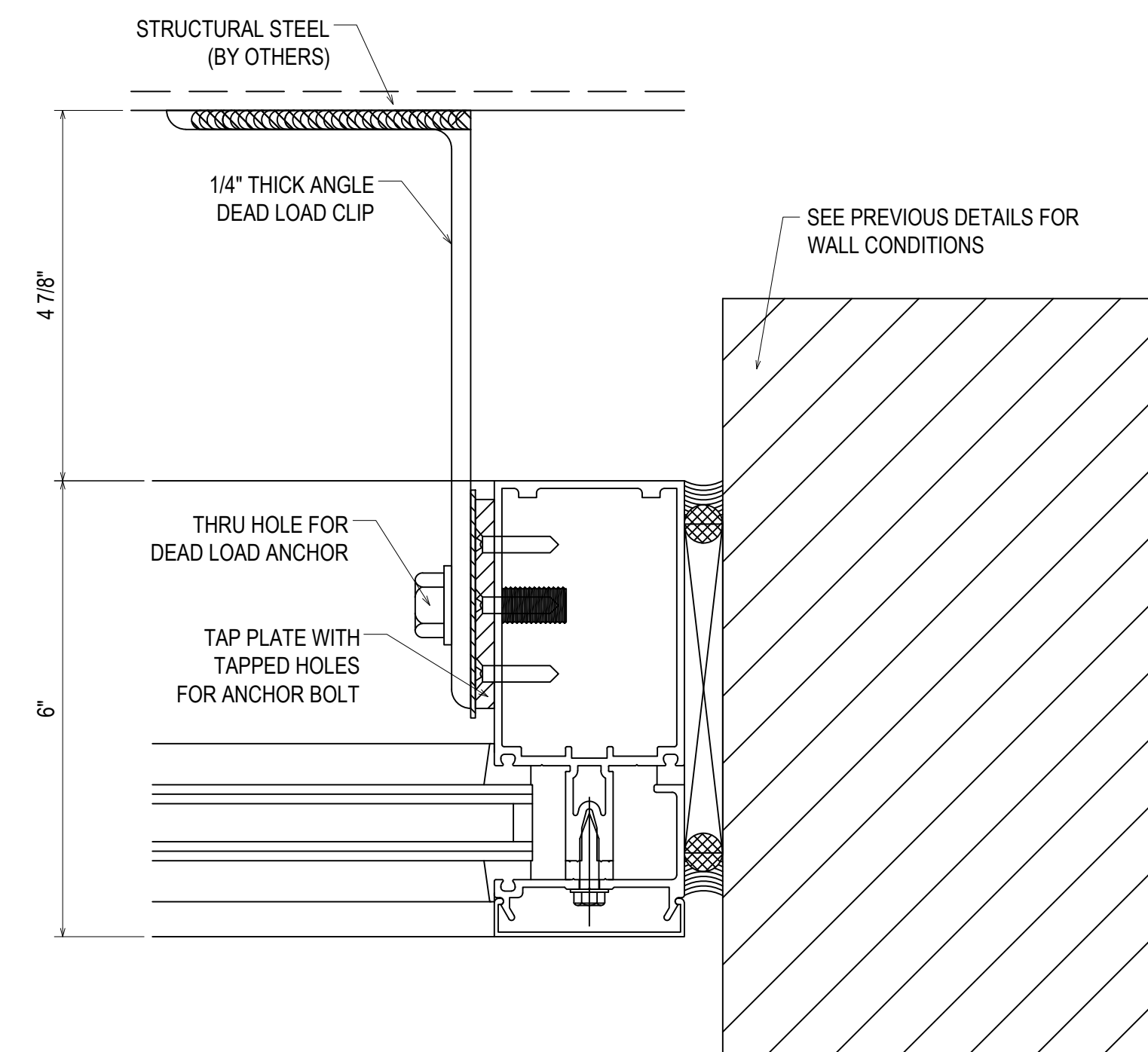
65
3.14
REF: N/A
CW4 - CW4R



66
3.14
REF: N/A
CW6 - CW8 - CW9 - CW10



67
3.14
REF: N/A
CW5 - CW8 - CW10



68
3.14
REF: N/A
CW5 - CW7

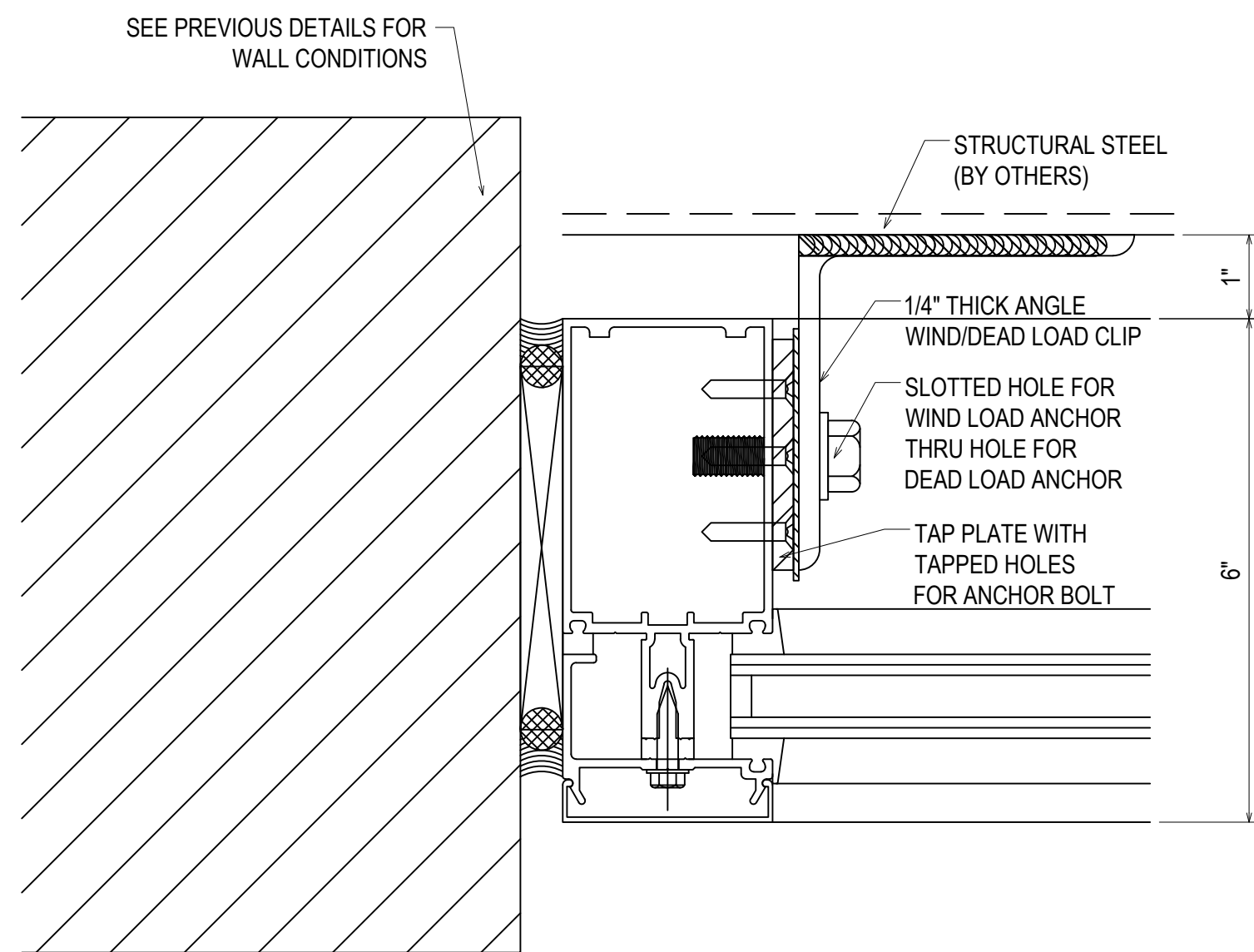
1ST SUBMISSION	8.1.22
1ST REVISION	10.12.22
2ND REVISION	12.16.22
NO	DATE
DESCRIPTION	
DRAWING SUBMISSION	

ERECTOR:
MUSCOGEE GLASS
6922 JAMESSON WAY
MIDLAND, GA 31820
(706)-569-9500

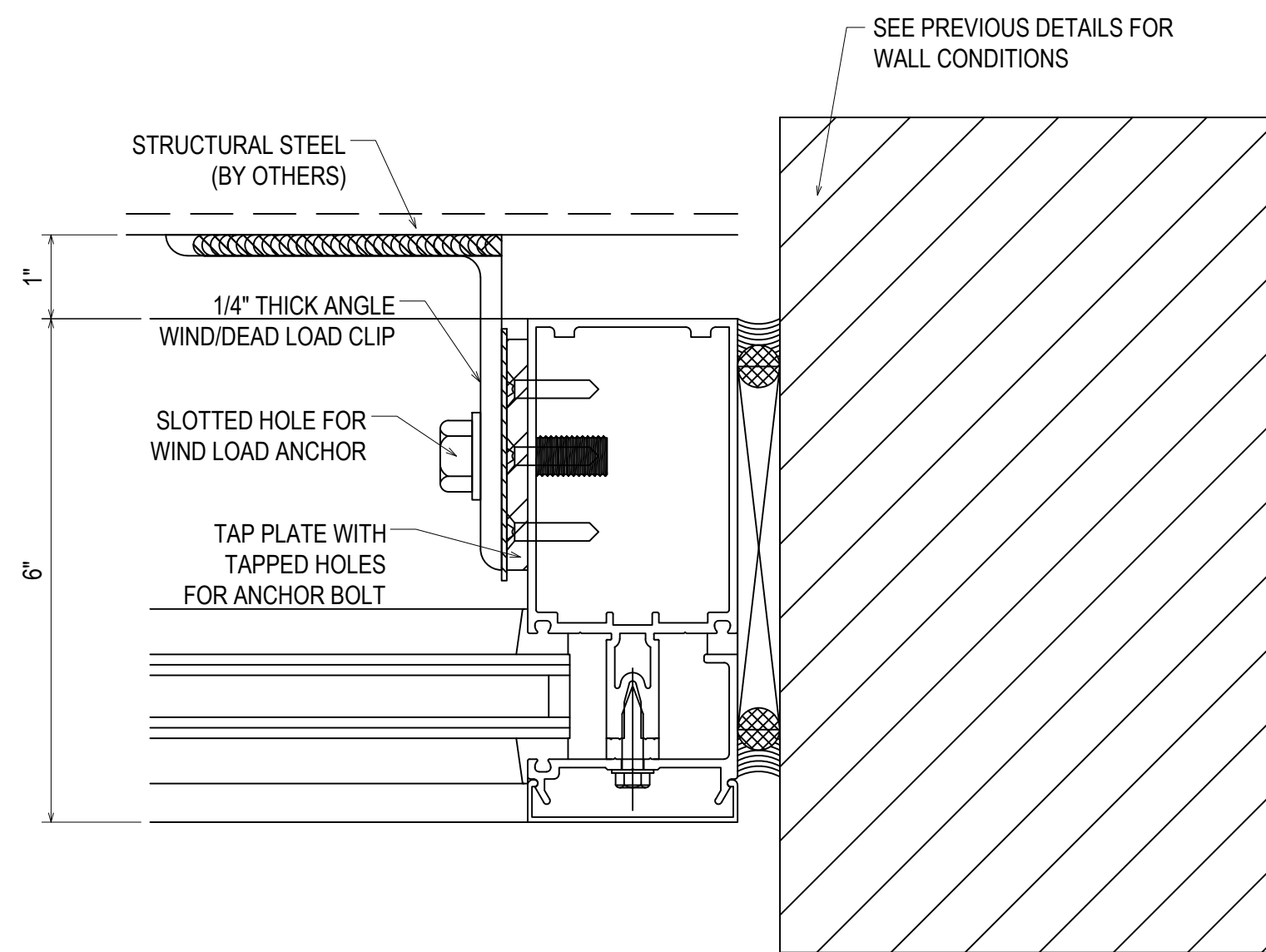
PROJECT: MCSD ELEMENTARY SCHOOL NO. 8

LOCATION: 180 NORTHSTAR DRIVE
COLUMBUS, GA 31907

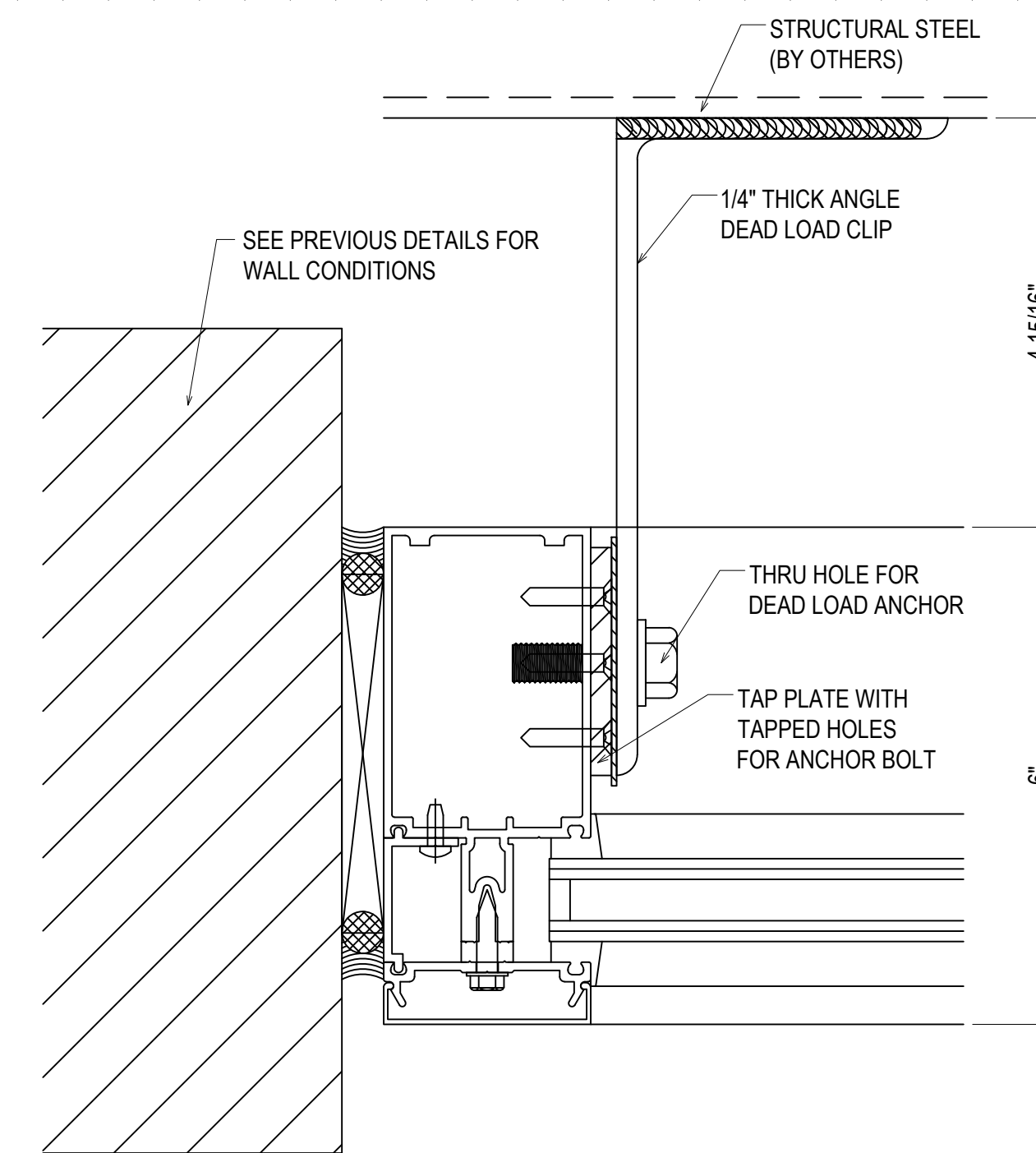
DRAWN BY:	DATE:
DJ	8.1.22
CHECKED BY:	DATE:
CJ	8.1.22



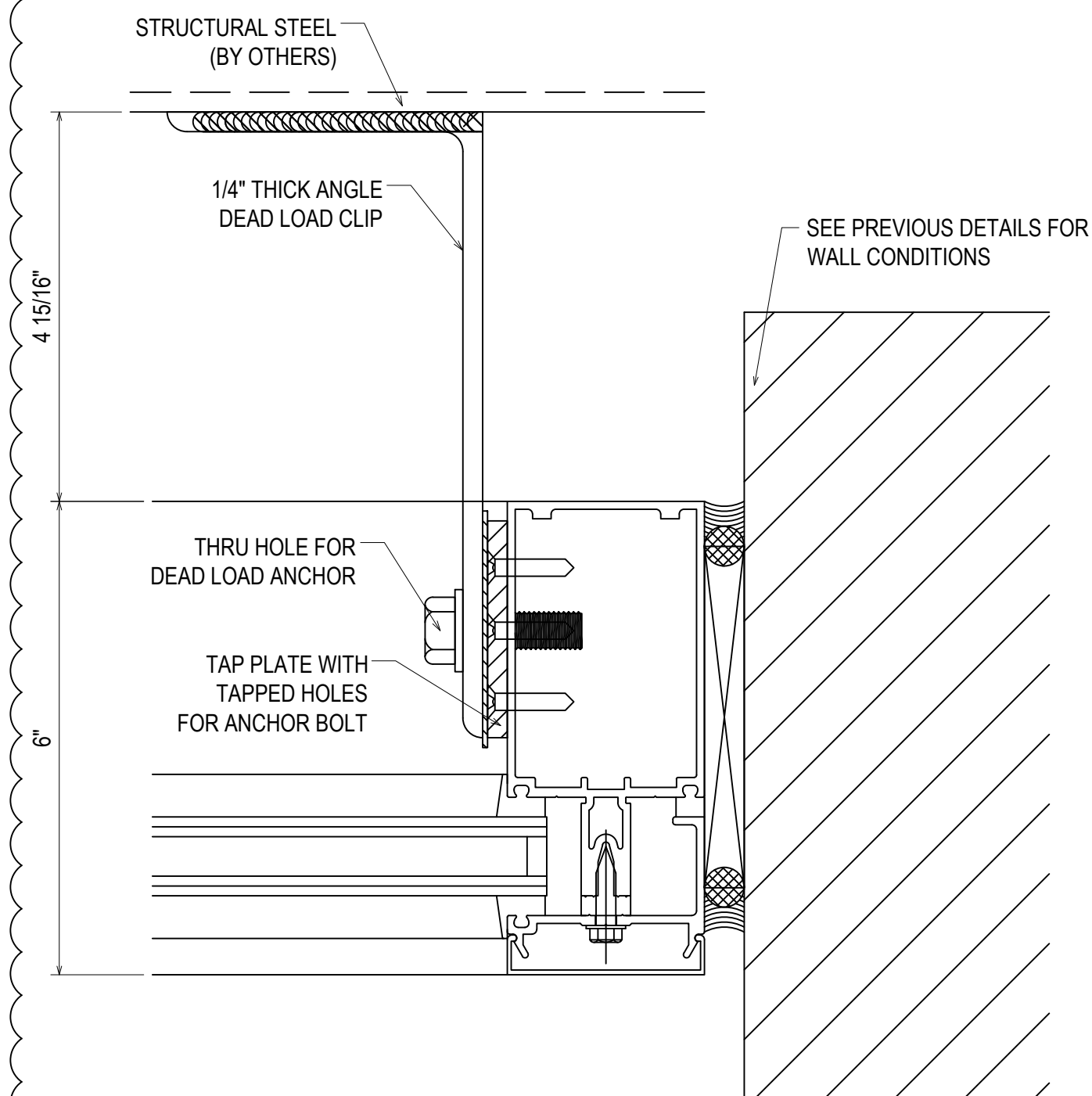
69
3.15
REF: N/A
CW2 - CW6



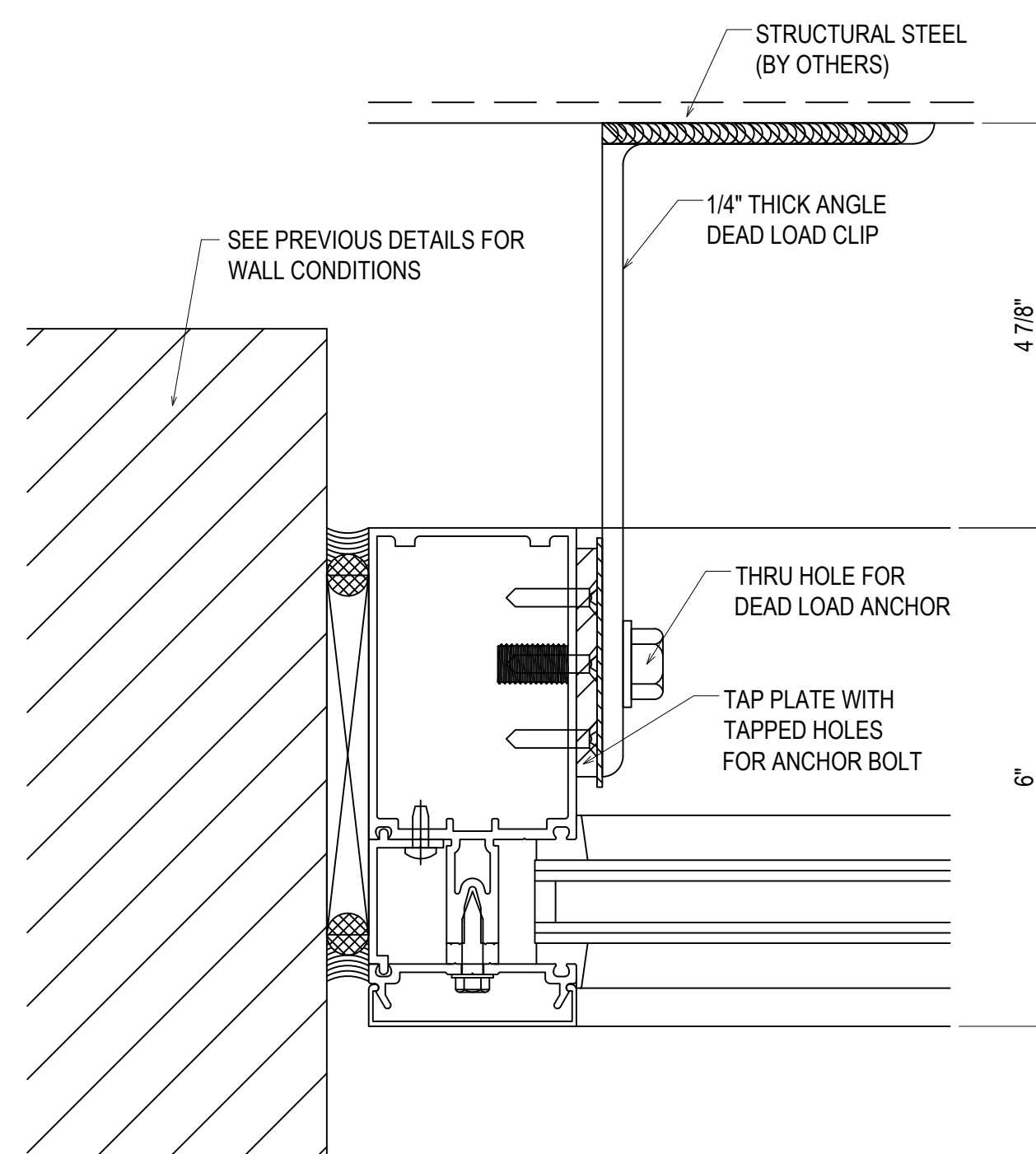
70
3.15
REF: N/A
CW7 - CW9



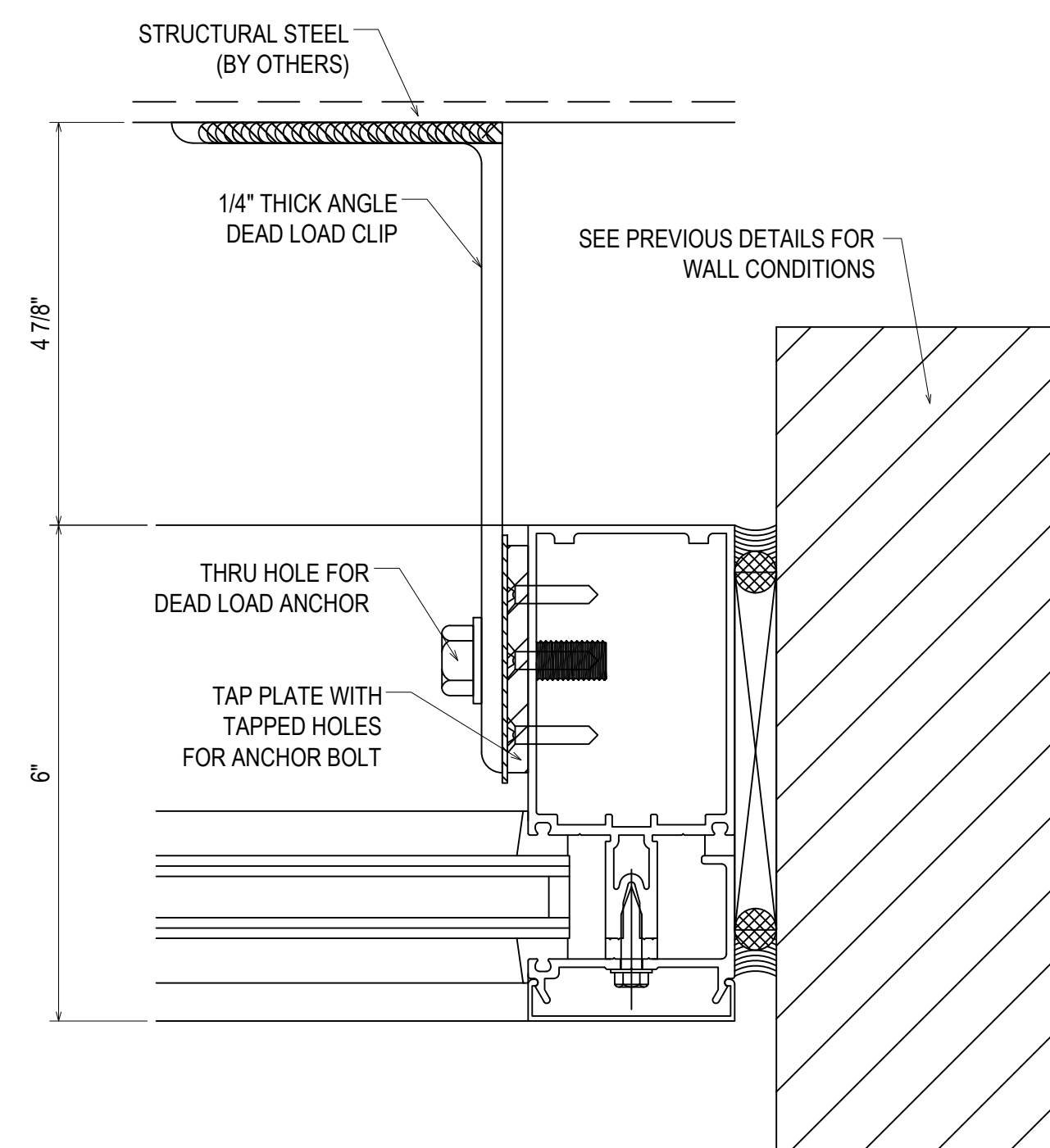
71A
3.15
REF: N/A
CW2



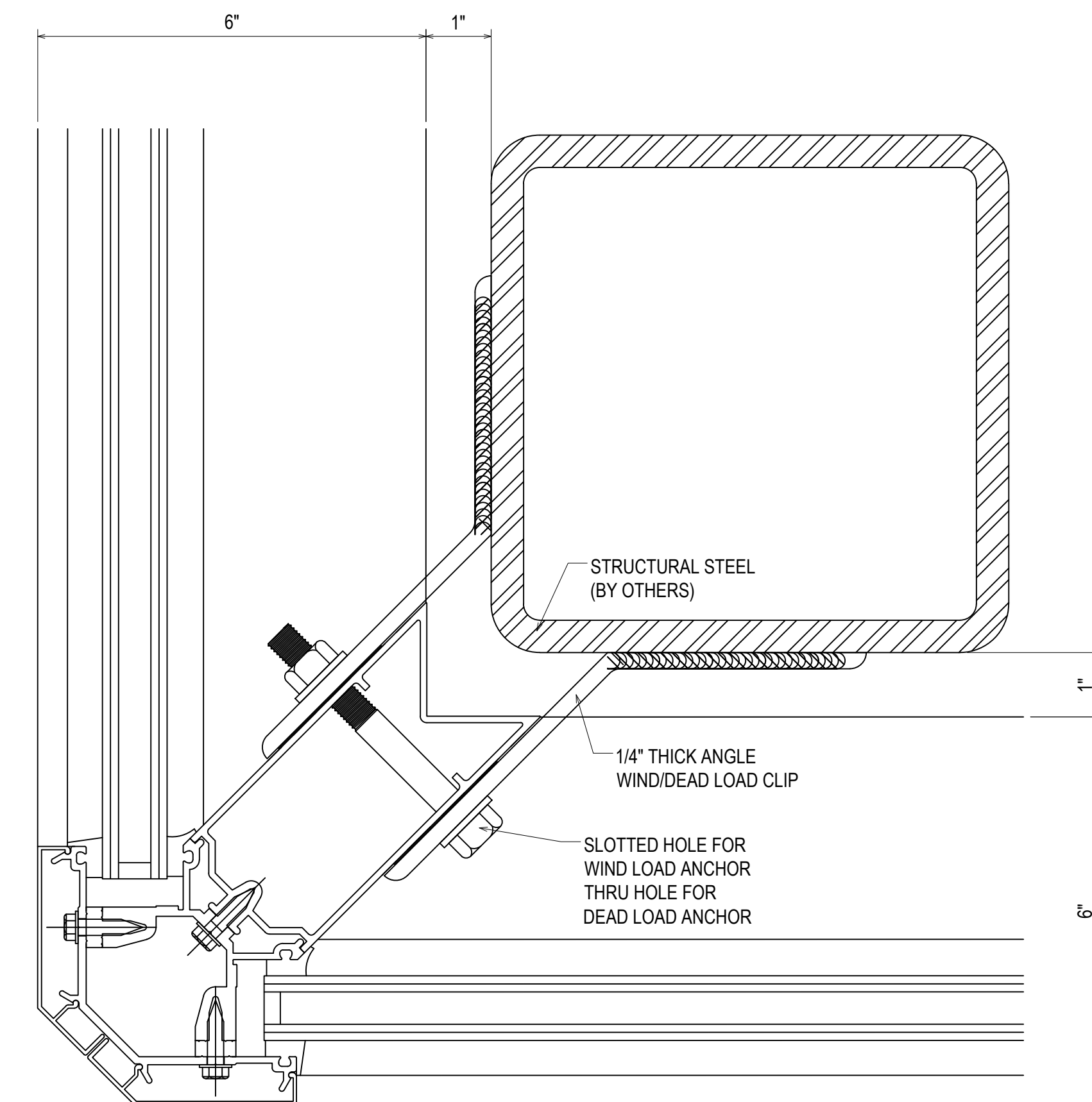
72
3.15
REF: N/A
CW2



71A
3.15
REF: N/A
CW9



72A
3.15
REF: N/A
CW9



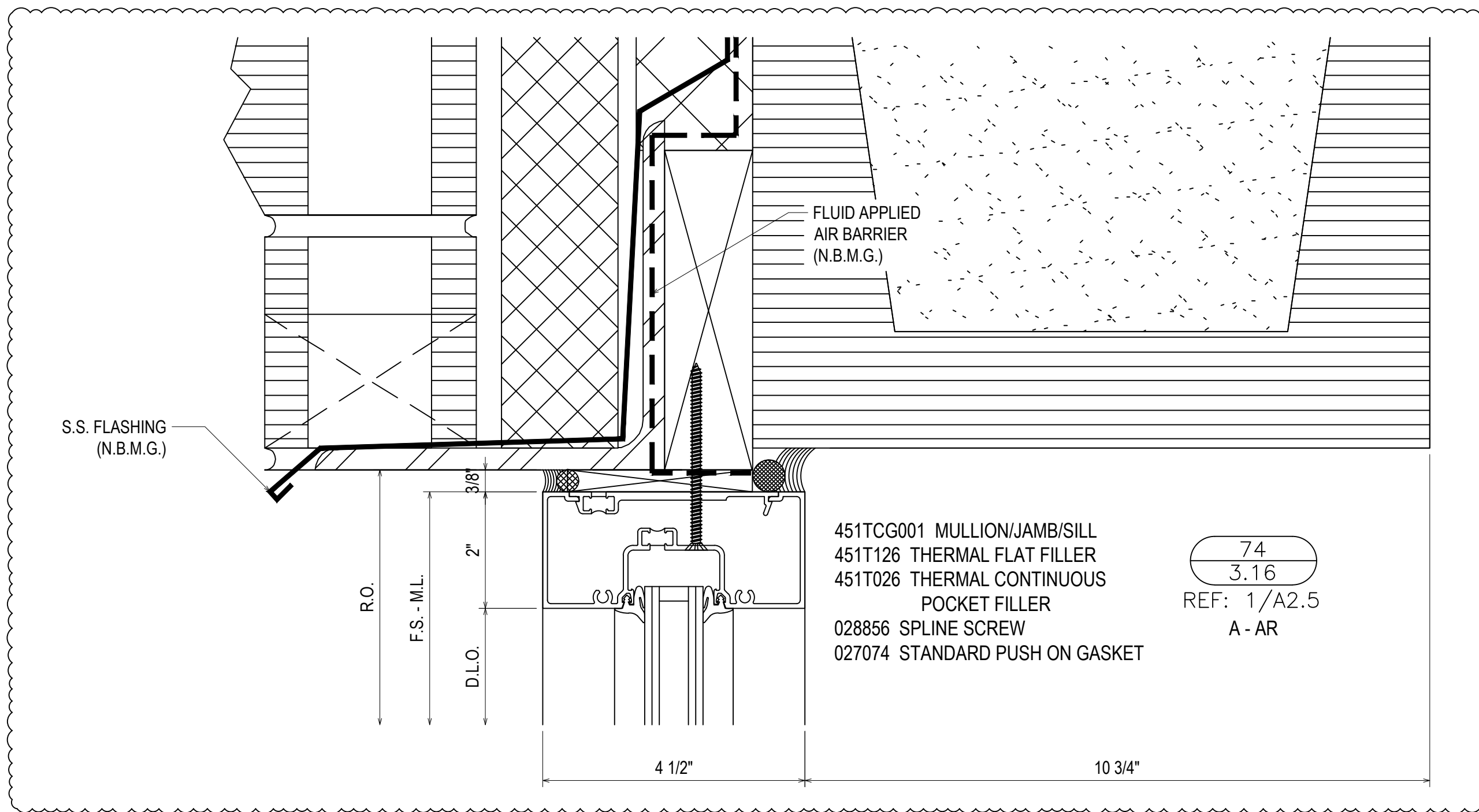
73
3.15
REF: N/A
CW1 - CW2 - CW5 - CW6
CW7 - CW8 - CW9 - CW10

8.1.22	1ST SUBMISSION	NO	DESCRIPTION	DATE
10.12.22	1ST REVISION			
12.16.22	2ND REVISION			
			DRAWING SUBMISSION	

ERECTOR:
MUSCOGEE GLASS
6922 JAMESSON WAY
MIDLAND, GA 31820
(706)-569-9500

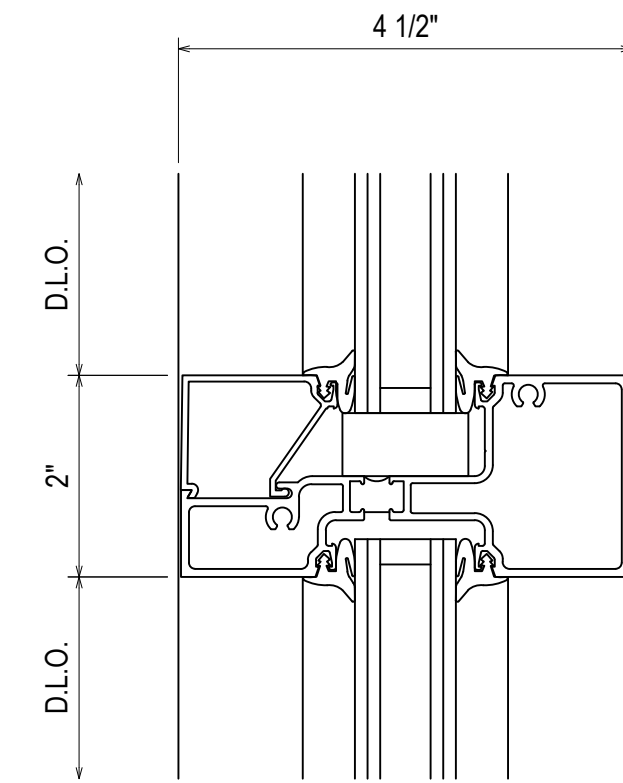
PROJECT: MCSD ELEMENTARY SCHOOL NO. 8
LOCATION: 180 NORTHSTAR DRIVE
COLUMBUS, GA 31907

DRAWN BY:	DATE:
DJ	8.1.22
CHECKED BY:	DATE:
CJ	8.1.22



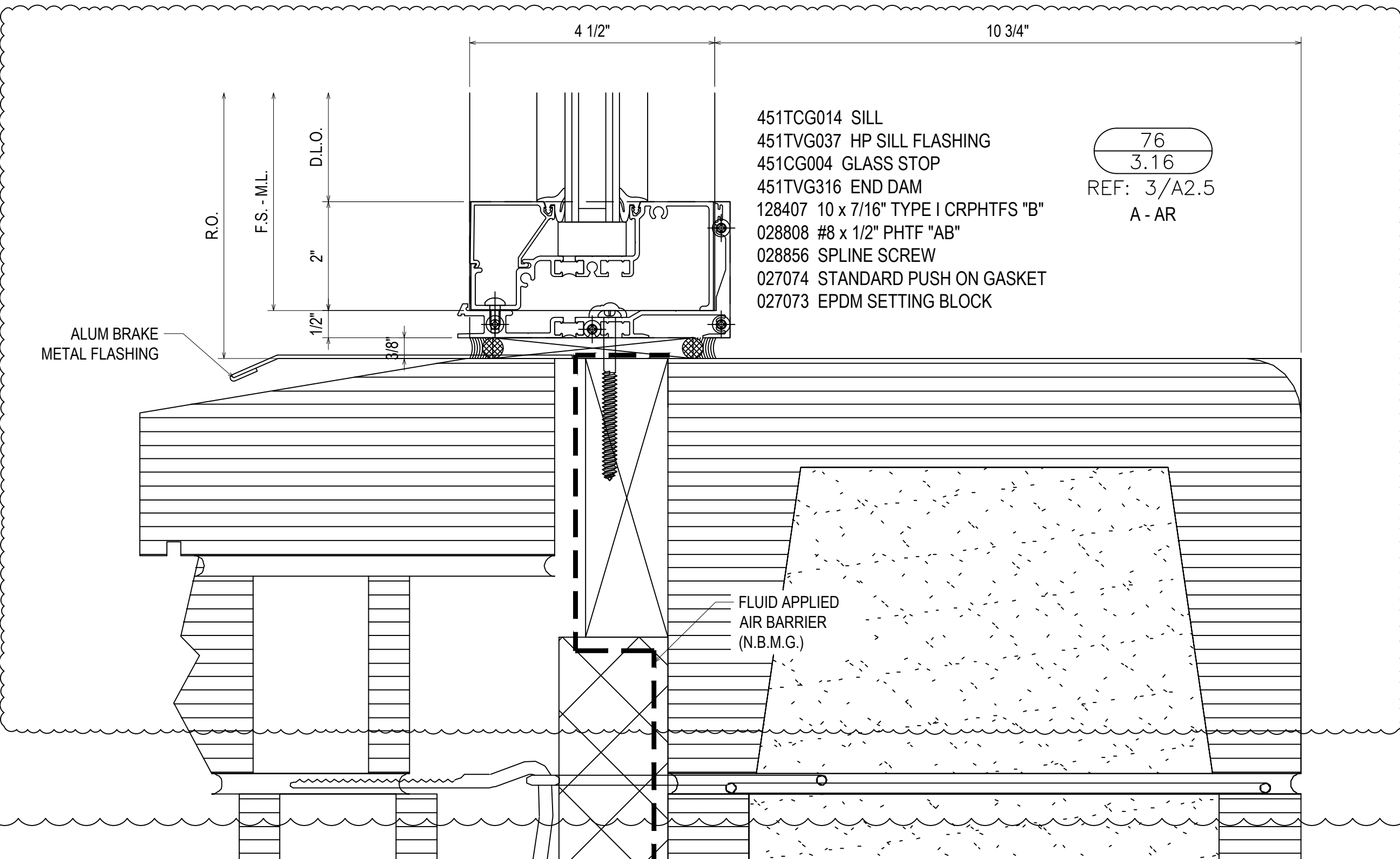
451TCG001 MULLION/JAMB/SILL
 451T126 THERMAL FLAT FILLER
 451T026 THERMAL CONTINUOUS
 POCKET FILLER
 028856 SPLINE SCREW
 027074 STANDARD PUSH ON GASKET

74
 3.16
 REF: 1/A2.5
 A - AR



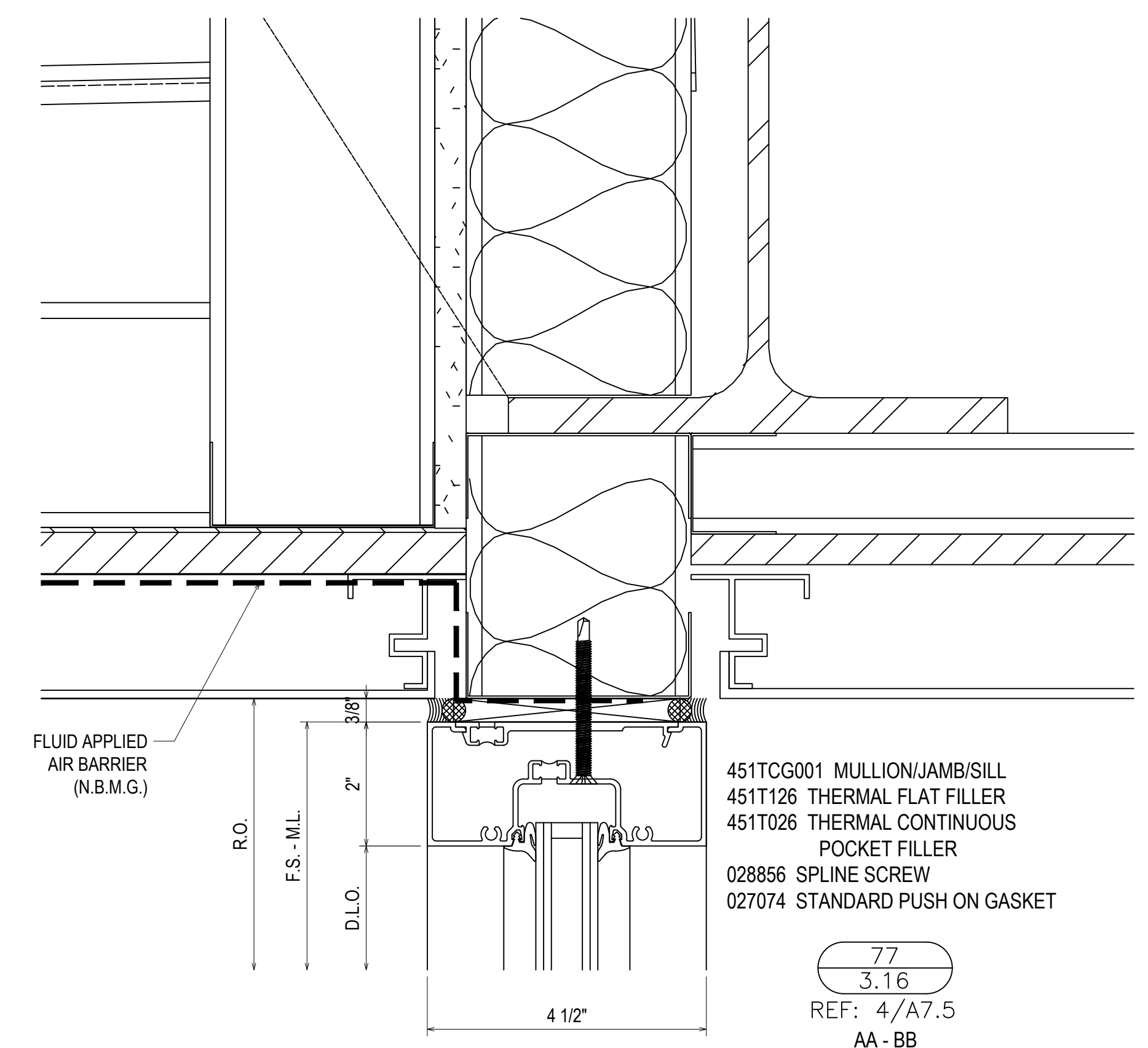
75
 3.16
 REF: N/A
 TYPICAL HORIZONTAL

451TCG011 TUBULAR HORIZONTAL
 451CG004 GLASS STOP
 028856 SPLINE SCREW
 027074 STANDARD PUSH ON GASKET
 027073 EPDM SETTING BLOCK



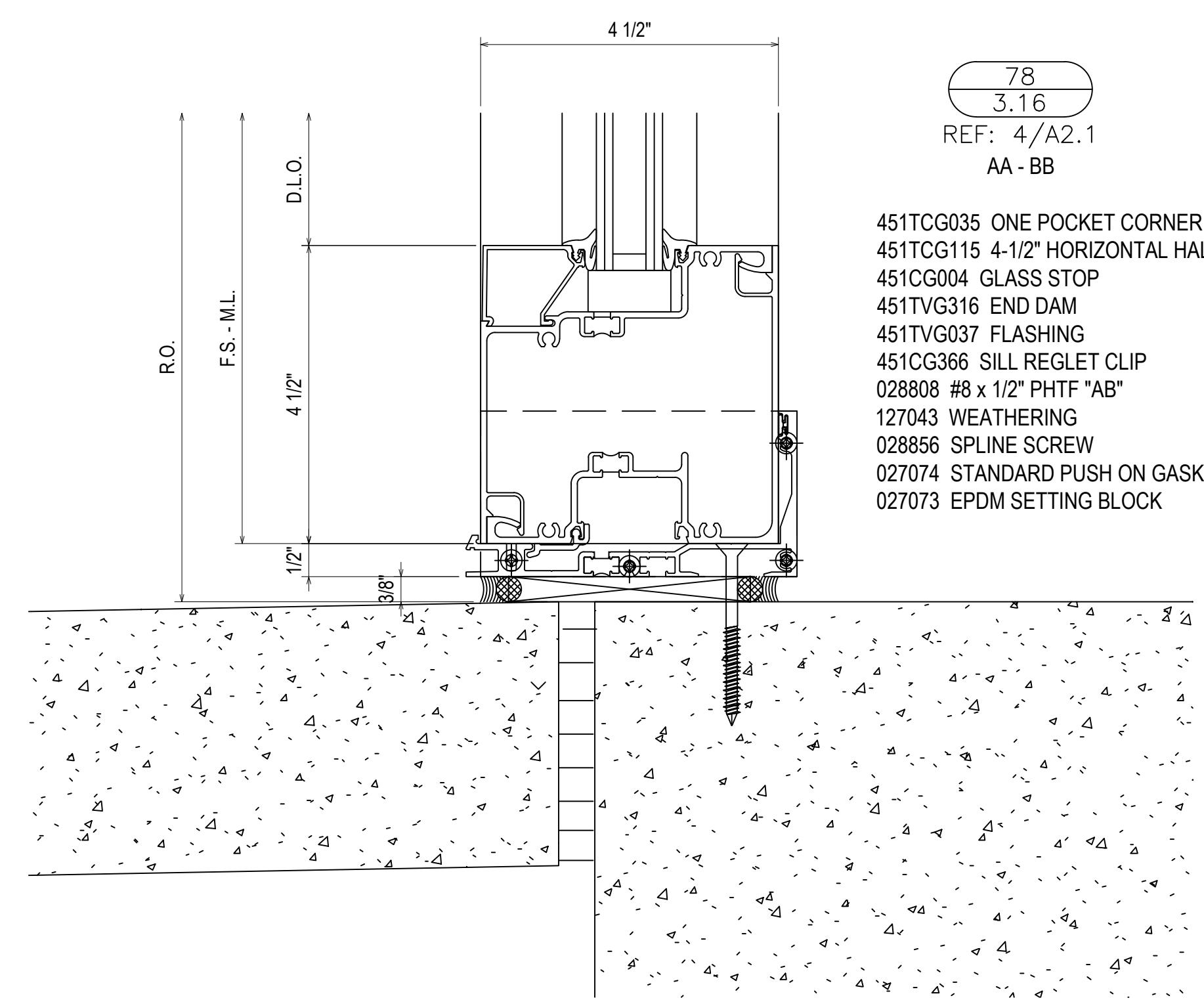
451TCG014 SILL
 451TVG037 HP SILL FLASHING
 451CG004 GLASS STOP
 451TVG316 END DAM
 128407 10 x 7/16" TYPE I CRPHTFS "B"
 028808 #8 x 1/2" PHTF "AB"
 028856 SPLINE SCREW
 027074 STANDARD PUSH ON GASKET
 027073 EPDM SETTING BLOCK

76
 3.16
 REF: 3/A2.5
 A - AR



451TCG001 MULLION/JAMB/SILL
 451T126 THERMAL FLAT FILLER
 451T026 THERMAL CONTINUOUS
 POCKET FILLER
 028856 SPLINE SCREW
 027074 STANDARD PUSH ON GASKET

77
 3.16
 REF: 4/A7.5
 AA - BB



78
 3.16
 REF: 4/A2.1
 AA - BB

451TCG035 ONE POCKET CORNER HALF
 451TCG115 4-1/2" HORIZONTAL HALF
 451CG004 GLASS STOP
 451TVG316 END DAM
 451TVG037 FLASHING
 451CG366 SILL REGLET CLIP
 028808 #8 x 1/2" PHTF "AB"
 127043 WEATHERING
 028856 SPLINE SCREW
 027074 STANDARD PUSH ON GASKET
 027073 EPDM SETTING BLOCK

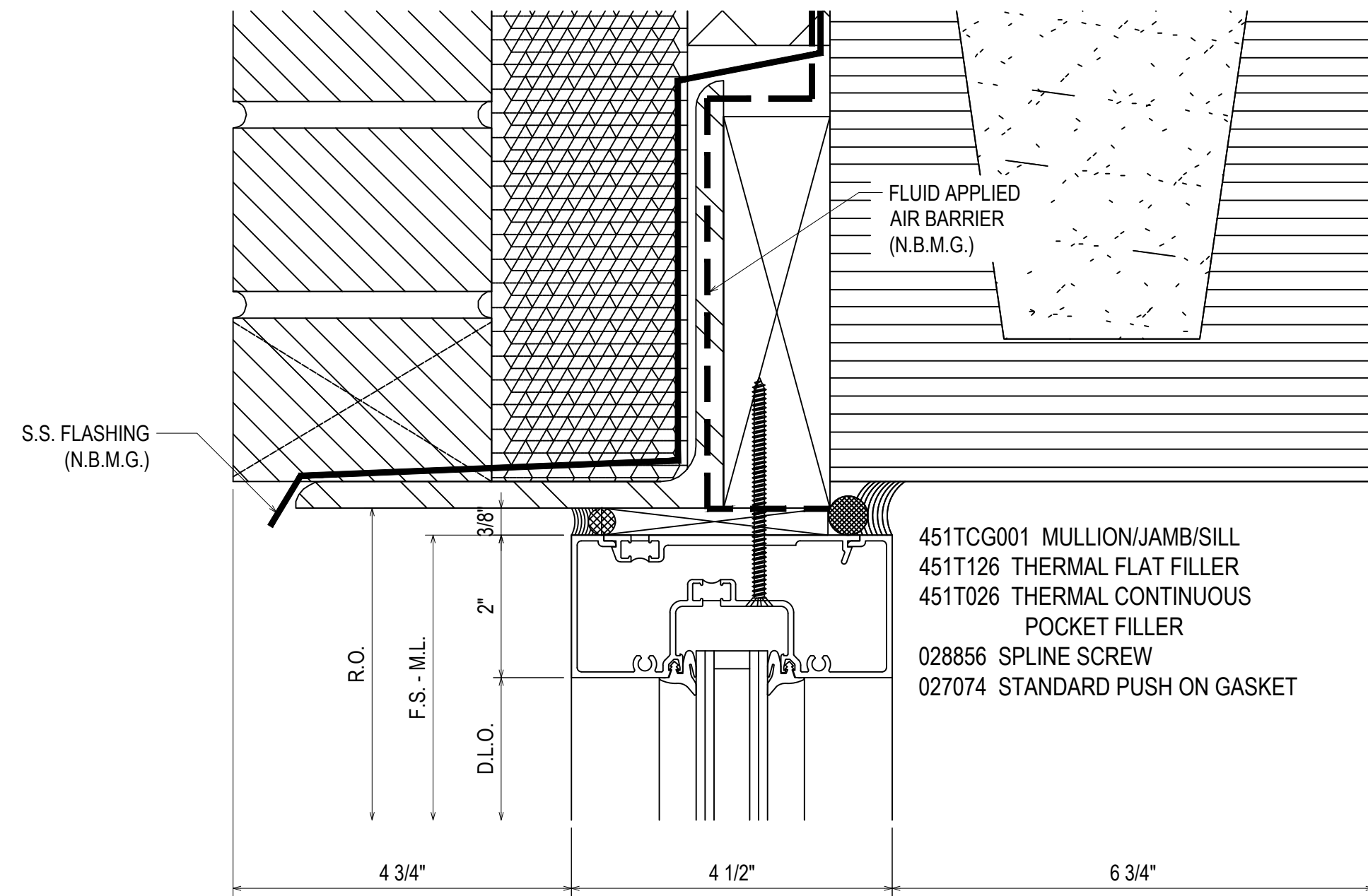
1ST SUBMISSION	8.1.22
1ST REVISION	10.12.22
2ND REVISION	12.16.22
NO	DATE
DESCRIPTION	
DRAWING SUBMISSION	

ERECTOR:
MUSCOGEE GLASS
 6922 JAMESSON WAY
 MIDLAND, GA 31820
 (706)-569-9500

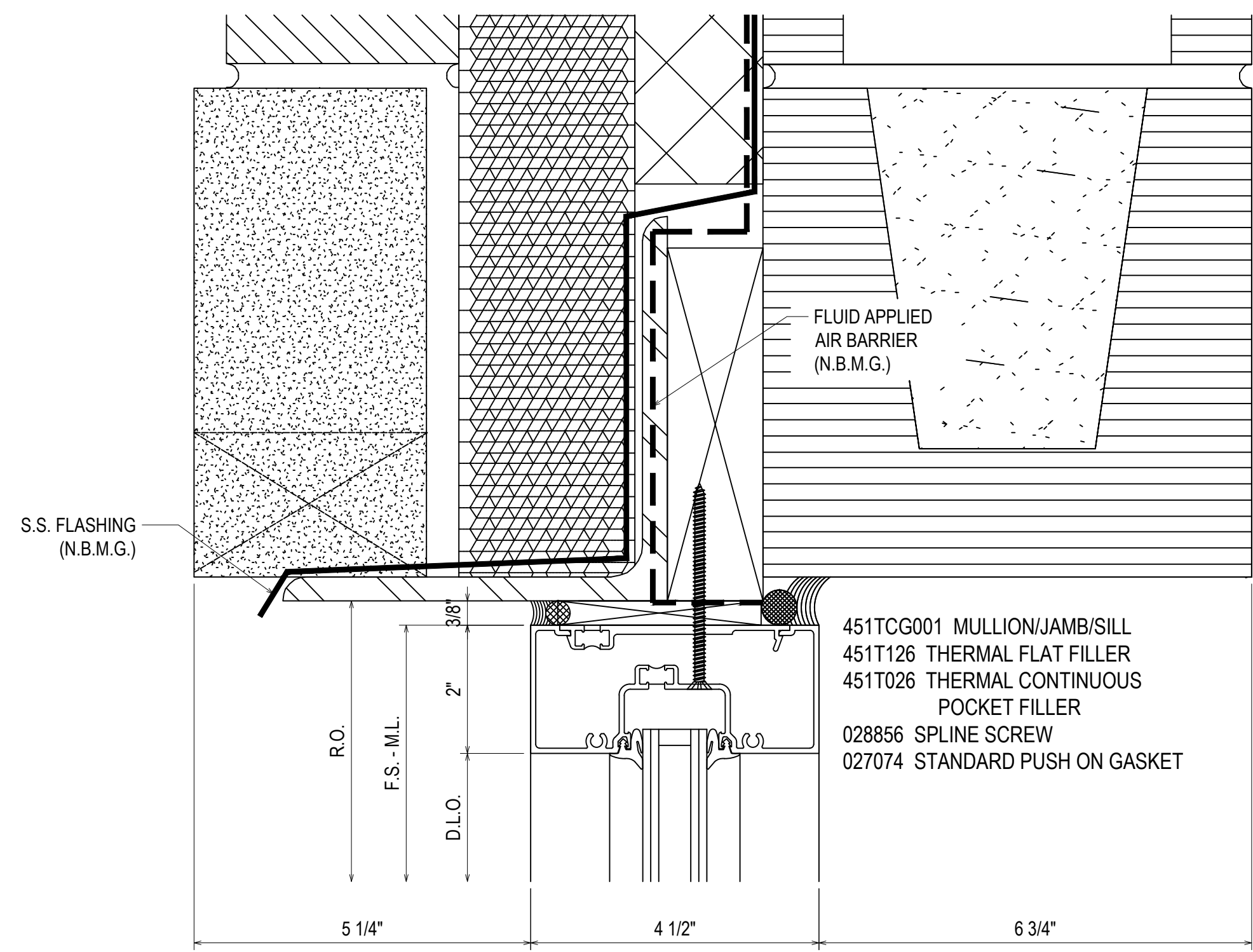
PROJECT: MCSD ELEMENTARY SCHOOL NO. 8

LOCATION: 180 NORTHSTAR DRIVE
 COLUMBUS, GA 31907

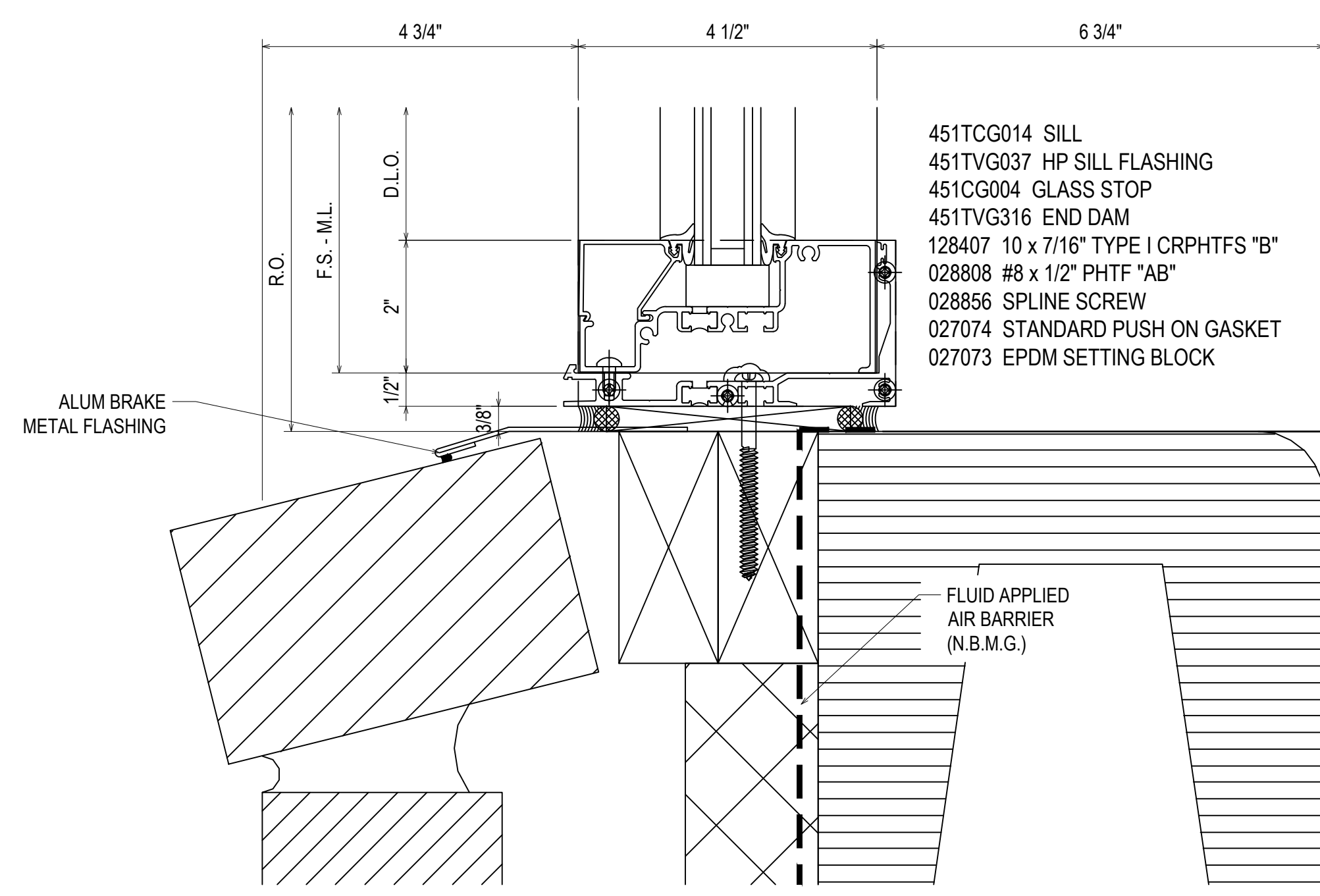
DRAWN BY:	DATE:
DJ	8.1.22
CHECKED BY:	DATE:
CJ	8.1.22



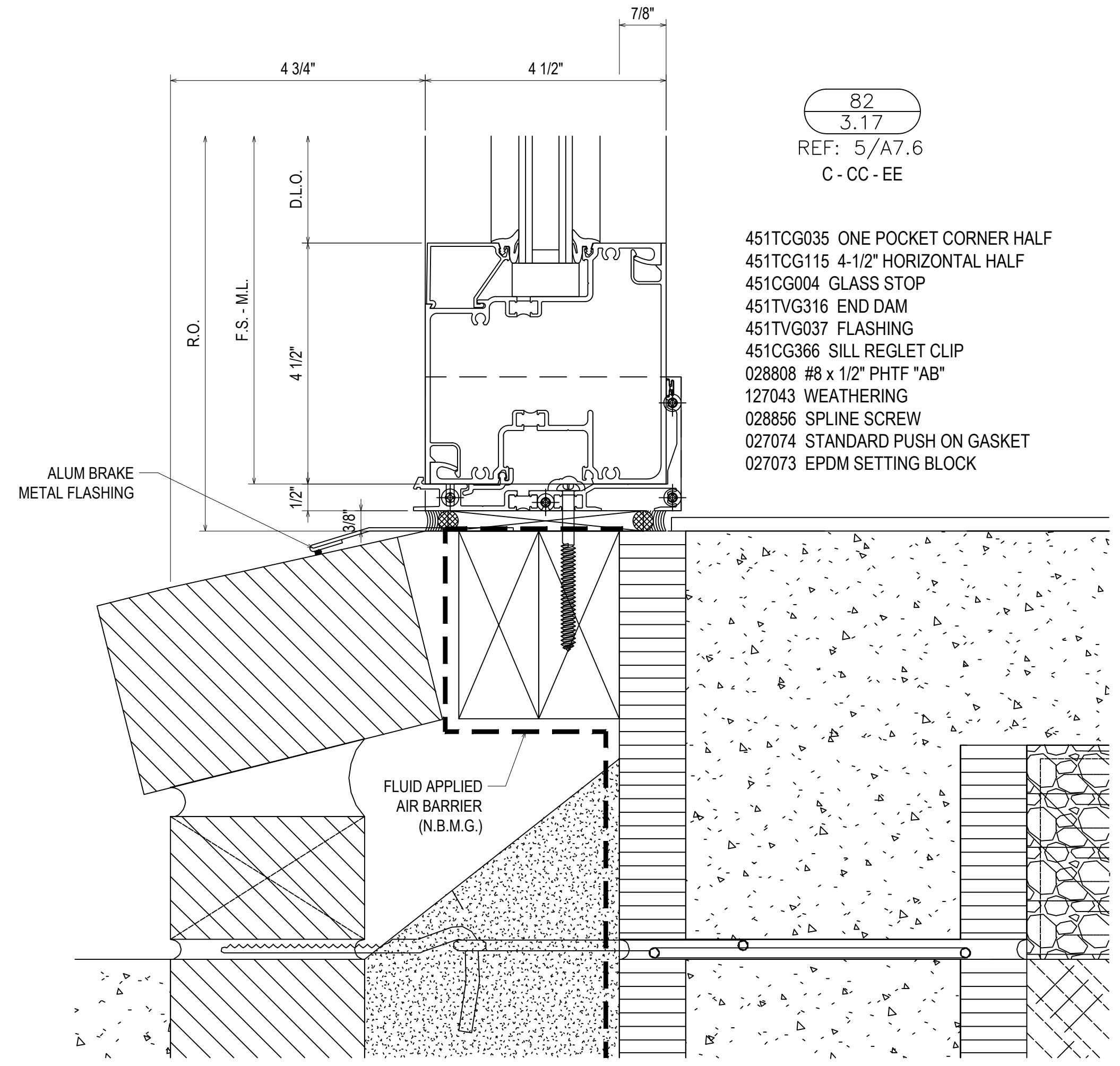
79
3.17
REF: 1/A2.1
B-CC-GG



81
3.17
REF: 6/A2.5
C



80
3.17
REF: 4/A2.5
B



82
3.17
REF: 5/A7.6
C-CC-EE

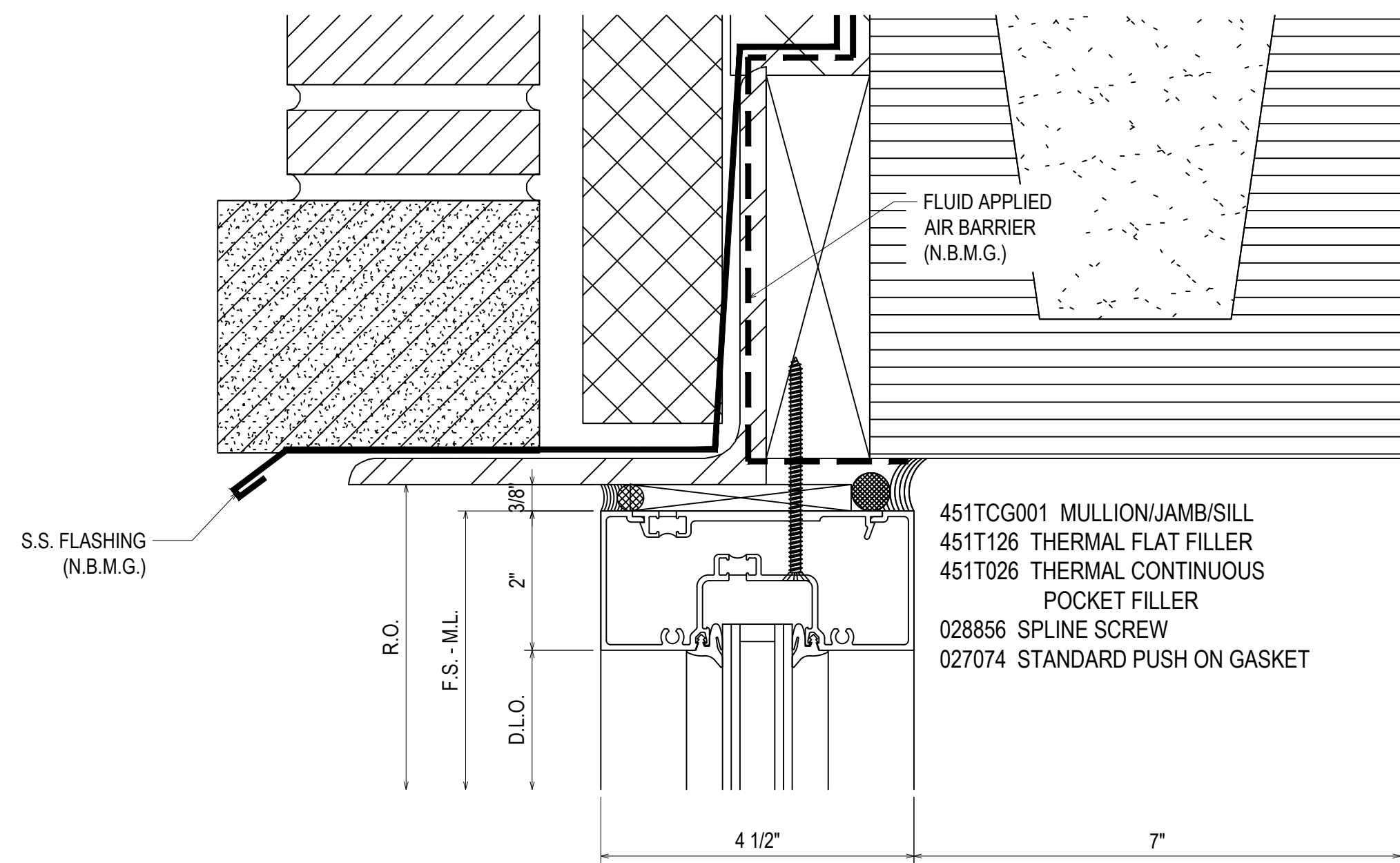
1ST SUBMISSION	8.1.22
1ST REVISION	10.12.22
2ND REVISION	12.16.22
NO	DATE
DESCRIPTION	
DRAWING SUBMISSION	

ERECTOR:
MUSCOGEE GLASS
6922 JAMESSON WAY
MIDLAND, GA 31820
(706)-569-9500

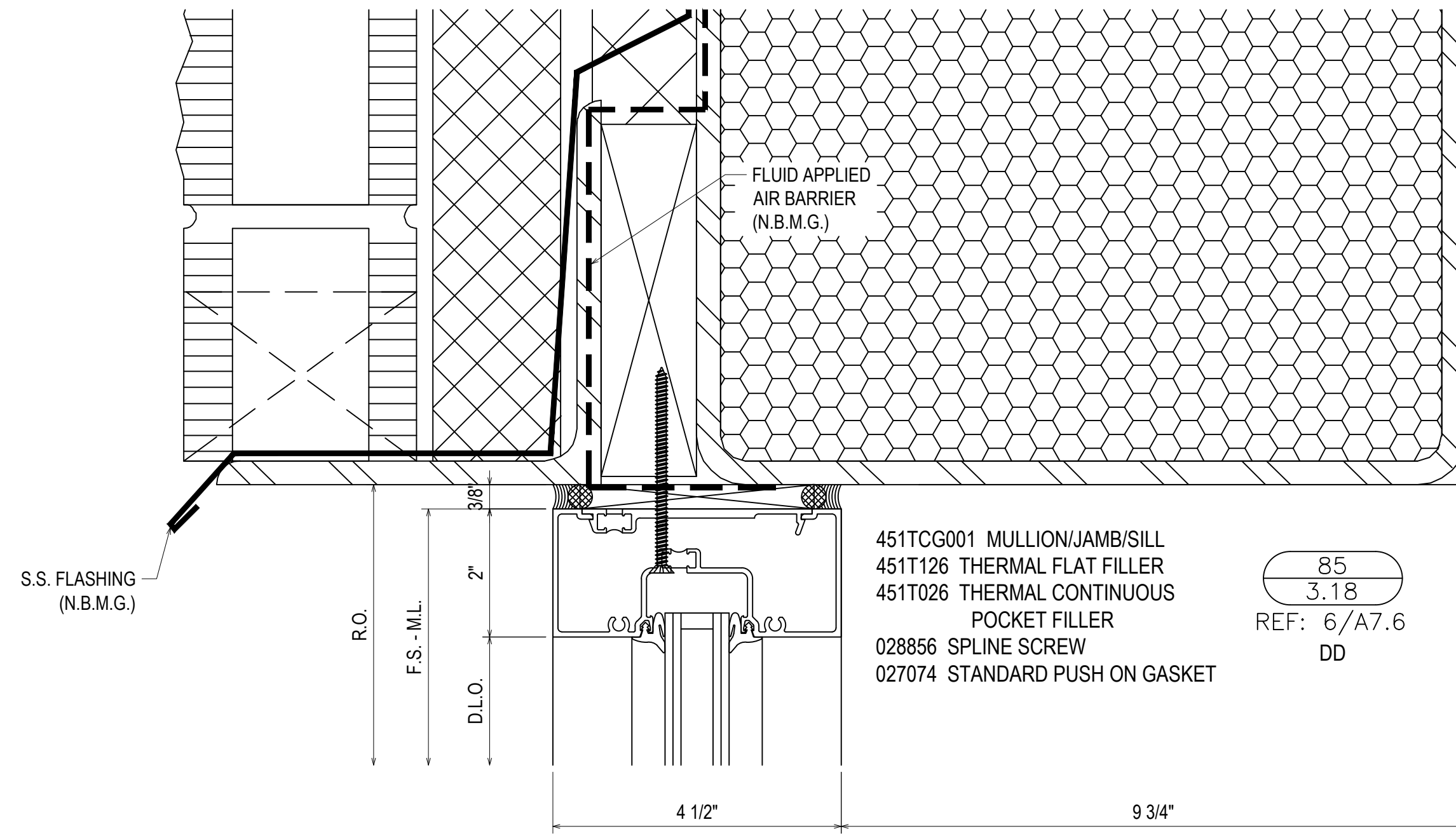
PROJECT: MCSD ELEMENTARY SCHOOL NO. 8

LOCATION: 180 NORTHSTAR DRIVE
COLUMBUS, GA 31907

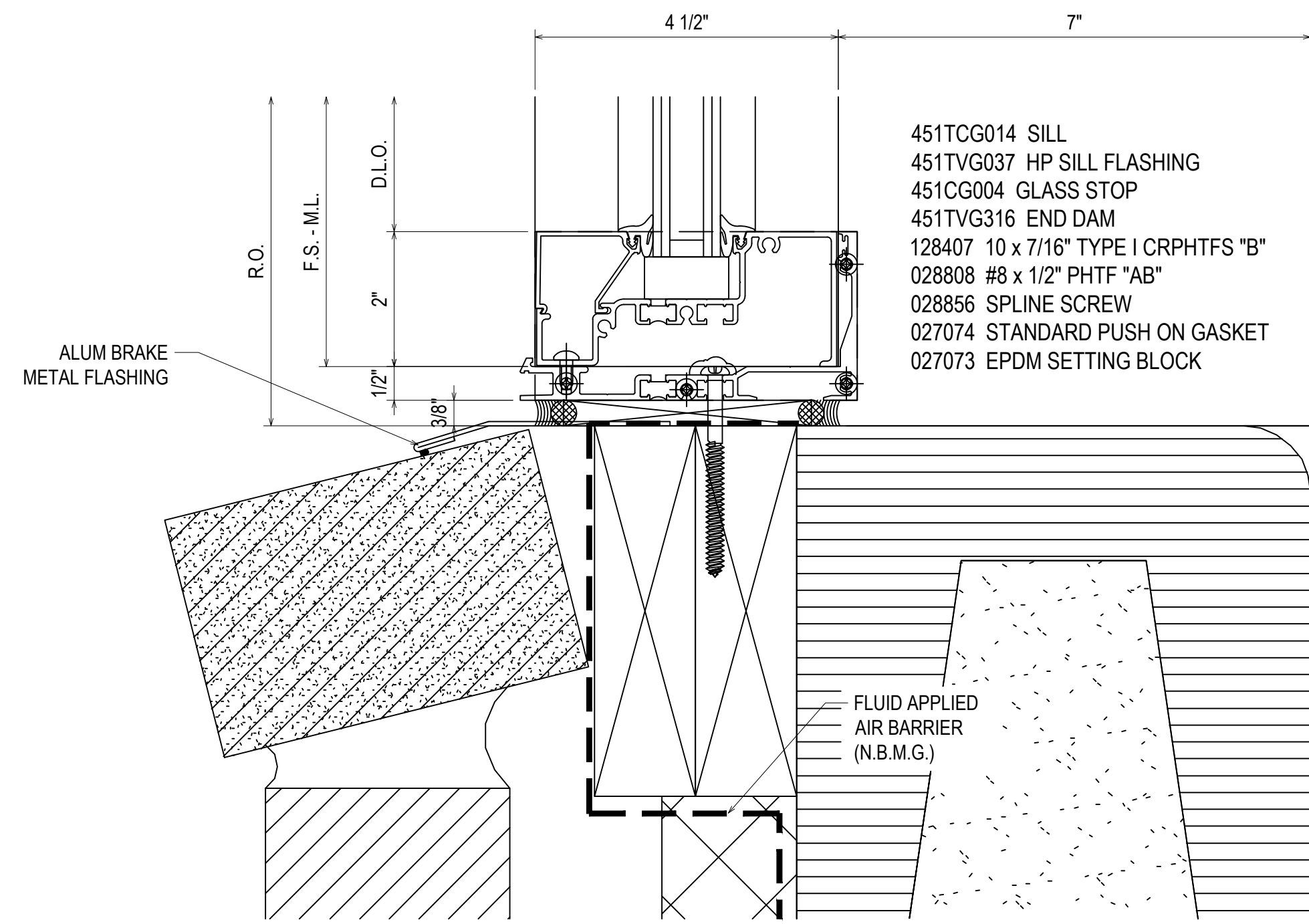
DRAWN BY:	DATE:
DJ	8.1.22
CHECKED BY:	DATE:
CJ	8.1.22



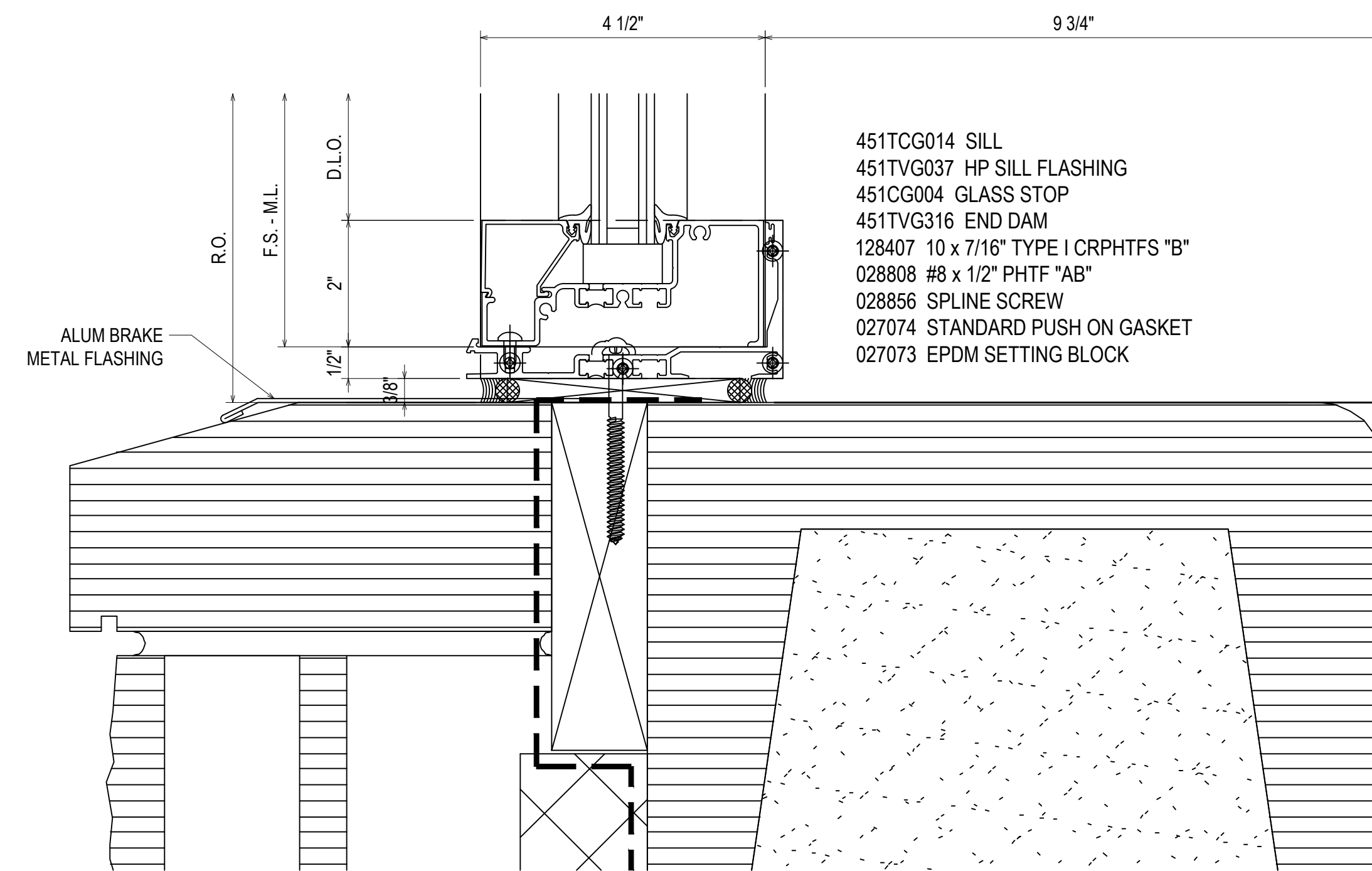
83
3.18
REF: 8/A2.5
D - D1 - DR - E - ER



85
3.18
REF: 6/A7.6
DD



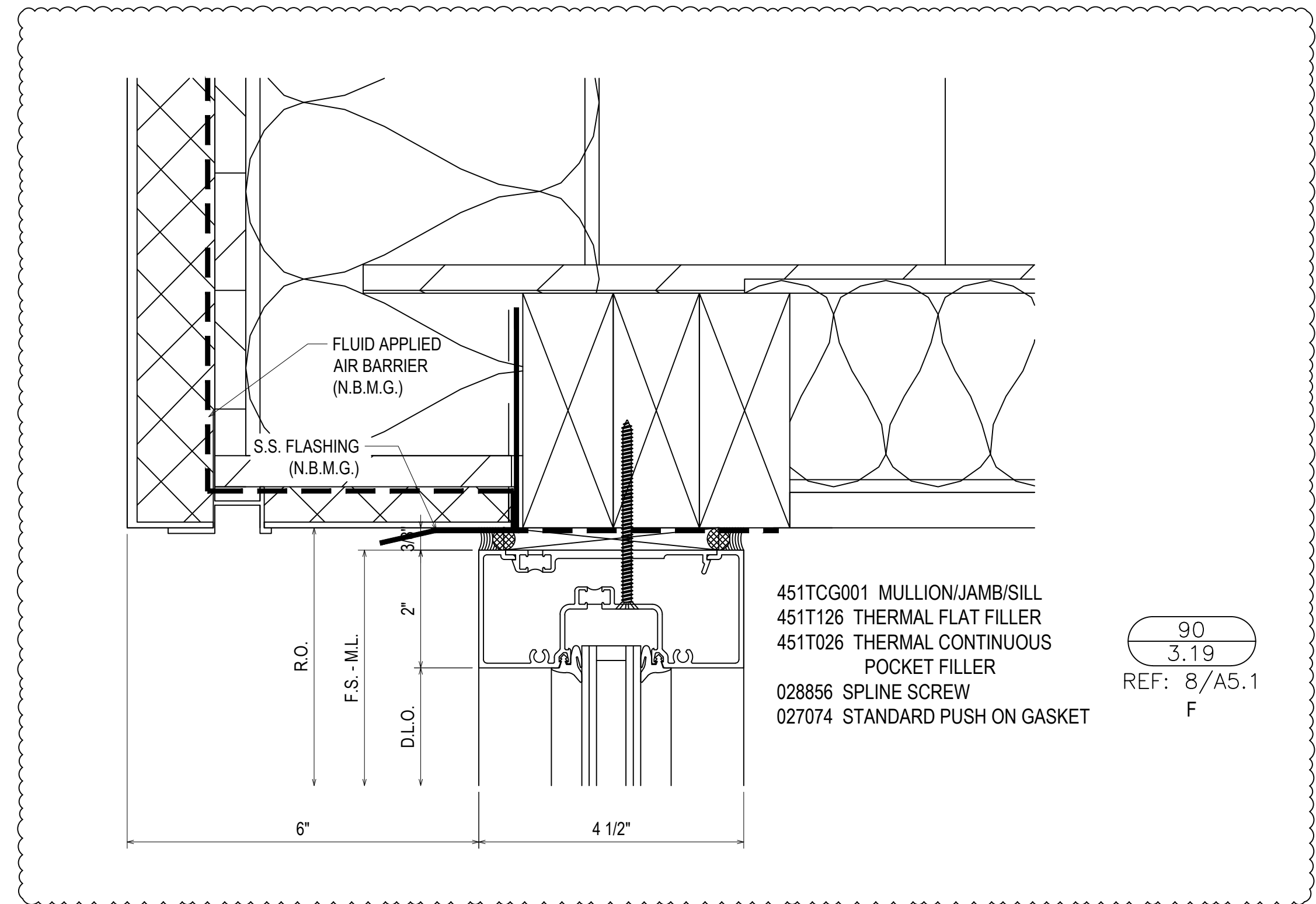
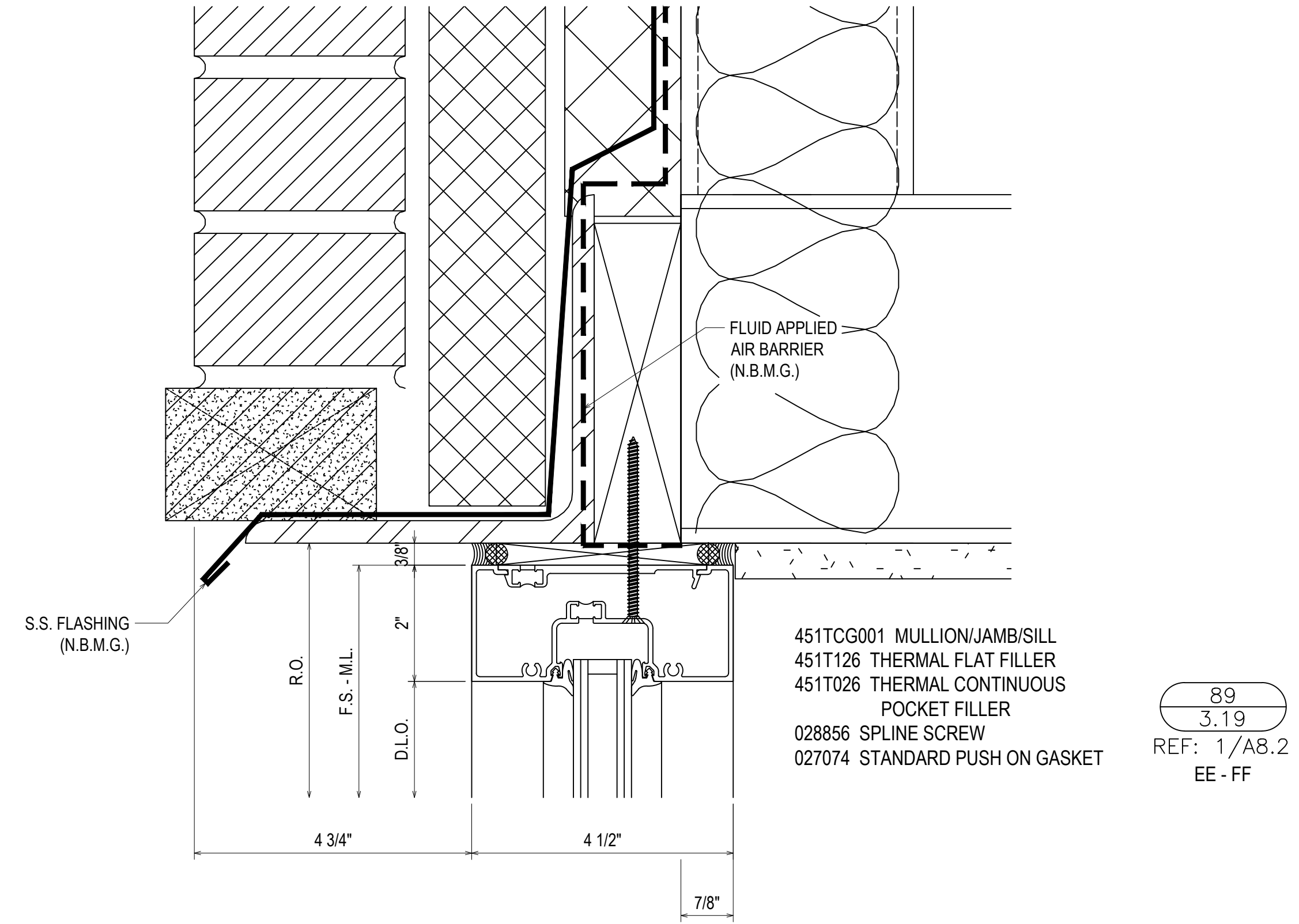
84
3.18
REF: 10/A2.5
D - D1 - DR - E - ER



86
3.18
REF: 7/A7.6
DD

PROJECT:	MCS D ELEMENTARY SCHOOL NO. 8	ERECTOR:	MUSCOGEE GLASS 6922 JAMESSON WAY MIDLAND, GA 31820 (706)-569-9500
LOCATION:	180 NORTHSTAR DRIVE COLUMBUS, GA 31907	1ST SUBMISSION	8.1.22
		1ST REVISION	10.12.22
		2ND REVISION	12.16.22
		NO	DATE
		DESCRIPTION	DRAWING SUBMISSION
DRAWN BY:	DJ	DATE:	8.1.22
CHECKED BY:	CJ	DATE:	8.1.22

DETAILS 87 AND 88 HAVE
BEEN DELETED FROM PROJECT



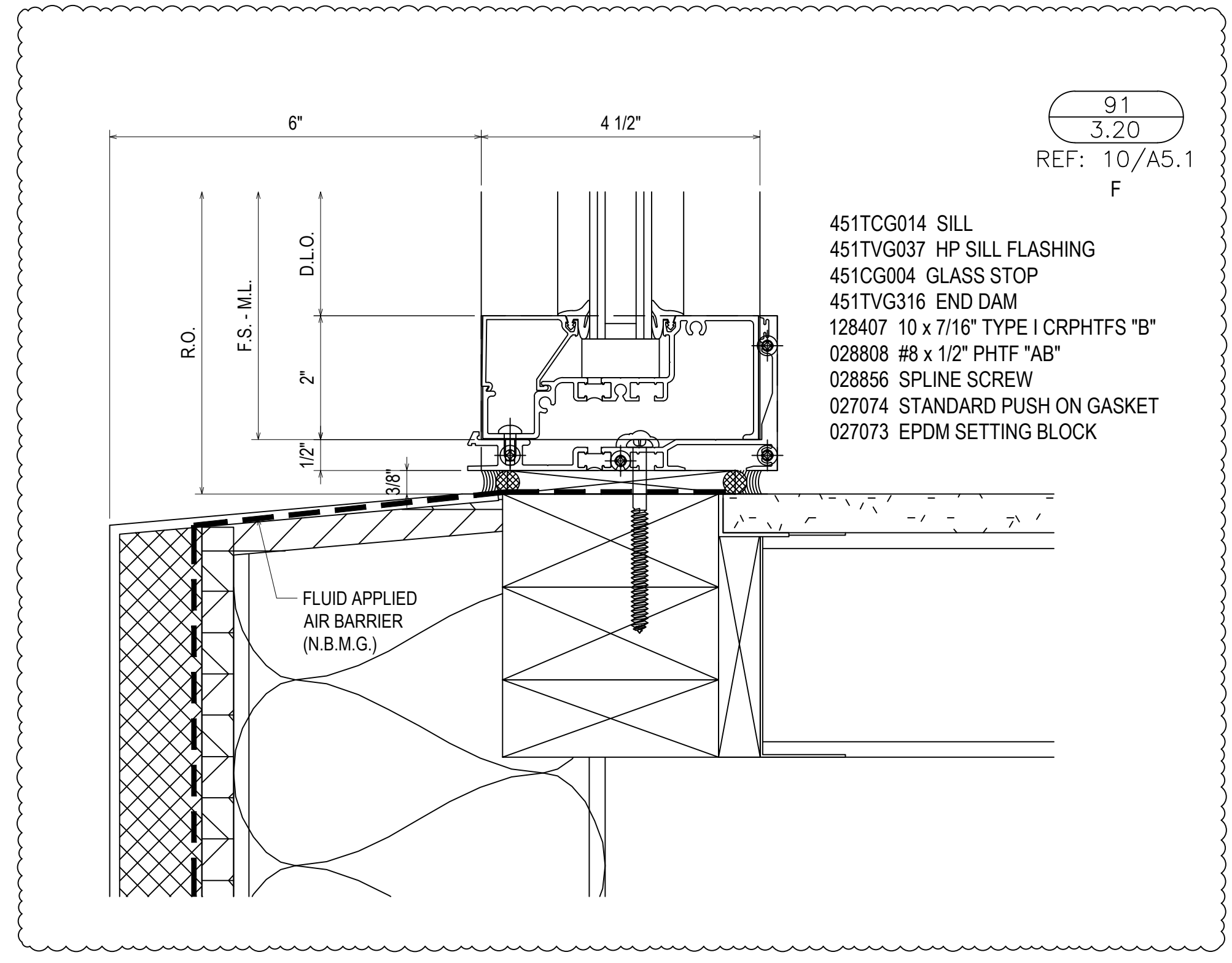
1ST SUBMISSION	8.1.22
1ST REVISION	10.12.22
2ND REVISION	12.16.22
NO	DATE
DRAWING SUBMISSION	

ERECTOR:
MUSCOGEE GLASS
6922 JAMESSON WAY
MIDLAND, GA 31820
(706)-569-9500

PROJECT: MCSD ELEMENTARY SCHOOL NO. 8

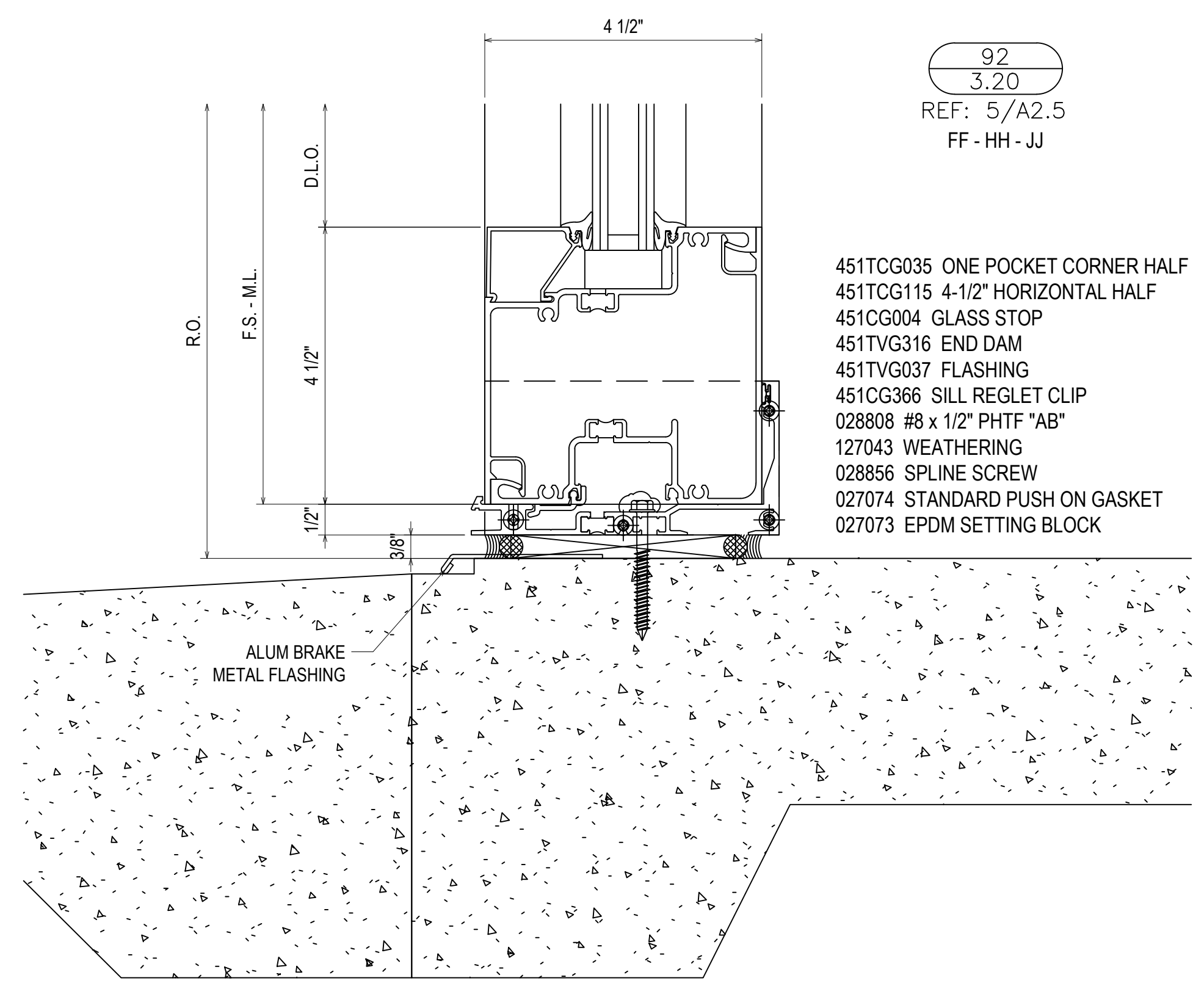
LOCATION: 180 NORTHSTAR DRIVE
COLUMBUS, GA 31907

DRAWN BY:	DATE:
DJ	8.1.22
CHECKED BY:	DATE:
CJ	8.1.22



91
3.20
REF: 10/A5.1
F

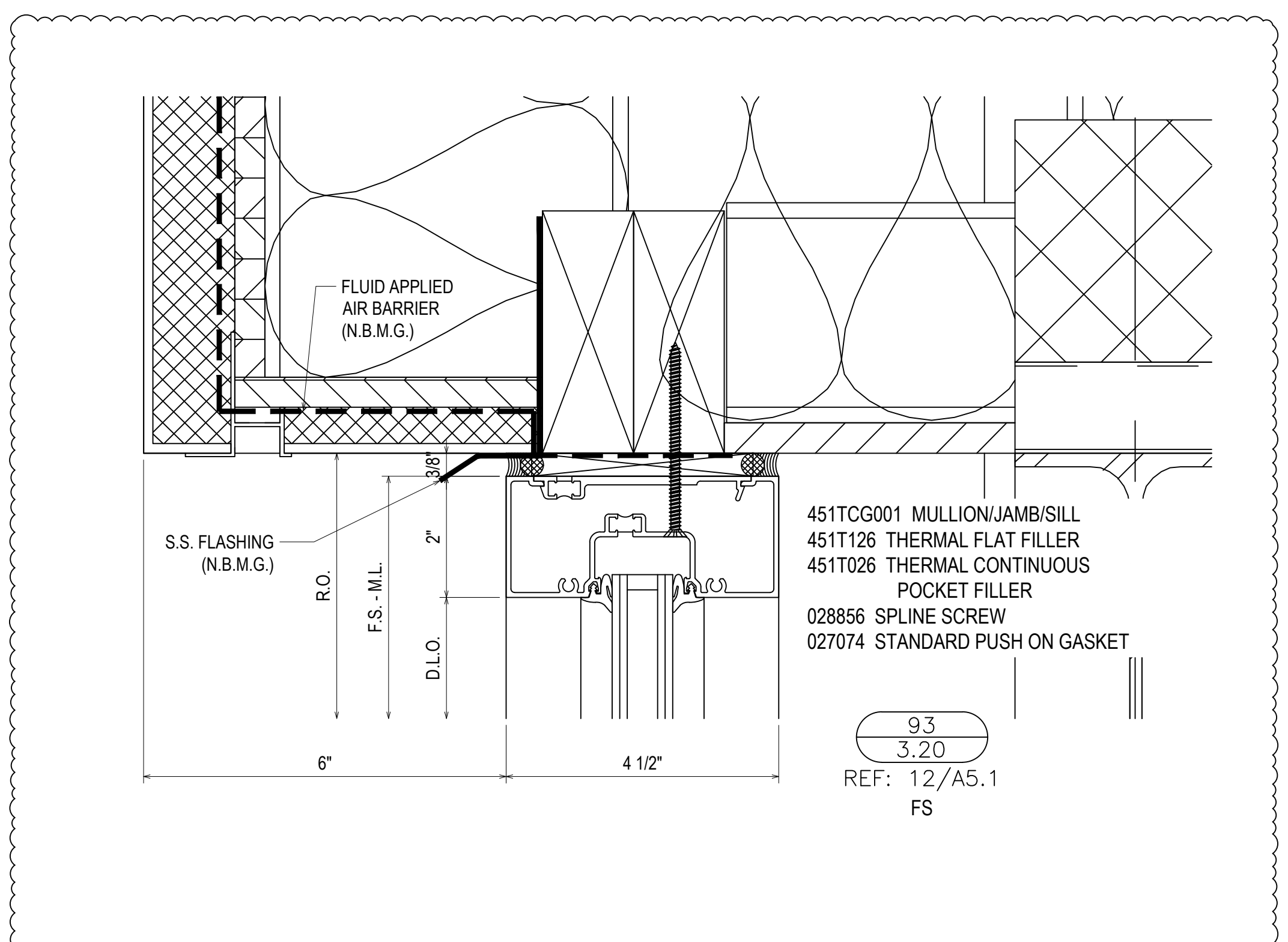
- 451TCG014 SILL
- 451TVG037 HP SILL FLASHING
- 451CG004 GLASS STOP
- 451TVG316 END DAM
- 128407 10 x 7/16" TYPE I CRPHTFS "B"
- 028808 #8 x 1/2" PHTF "AB"
- 028856 SPLINE SCREW
- 027074 STANDARD PUSH ON GASKET
- 027073 EPDM SETTING BLOCK



92
3.20
REF: 5/A2.5
FF - HH - JJ

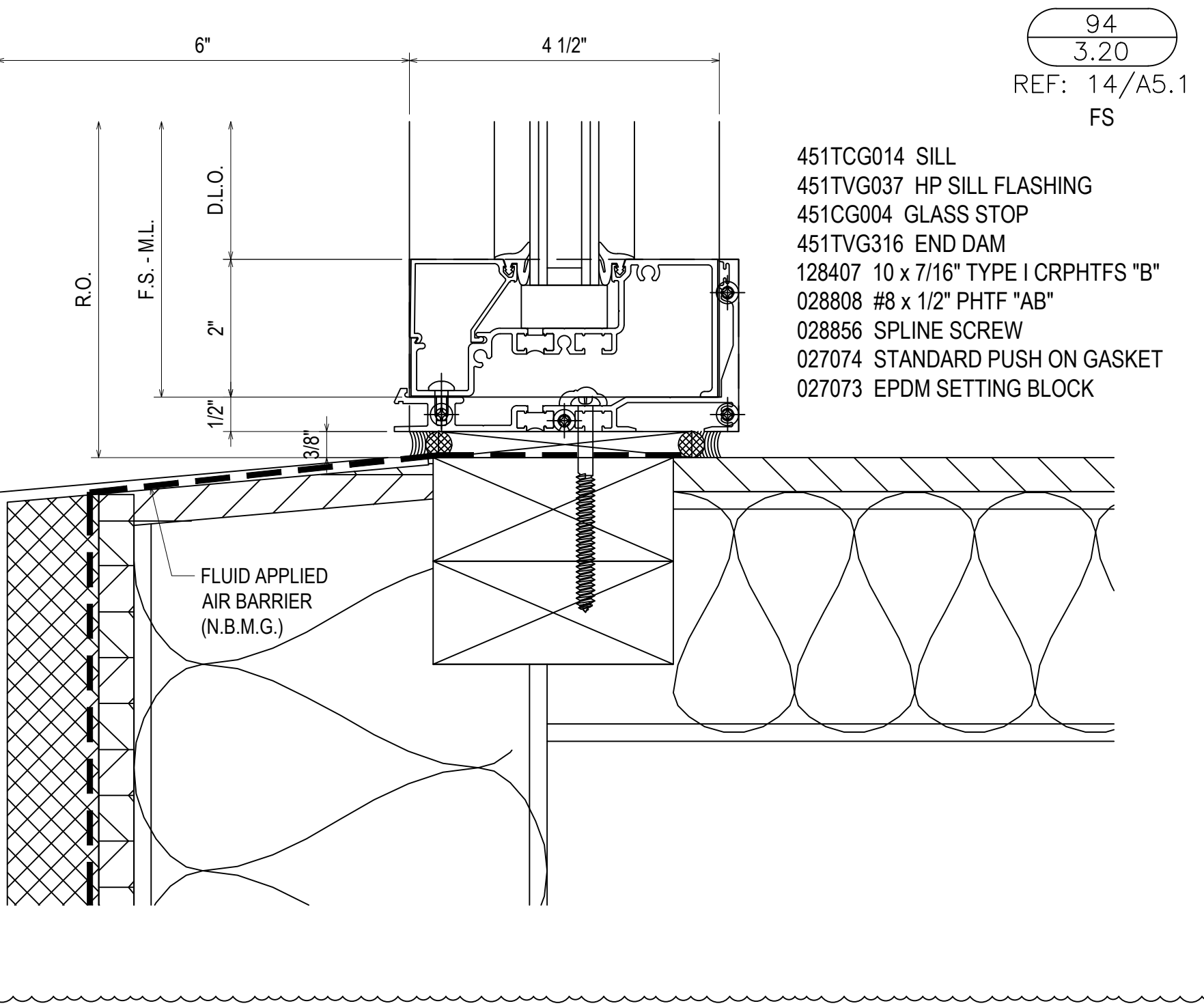
- 451TCG035 ONE POCKET CORNER HALF
- 451TCG115 4-1/2" HORIZONTAL HALF
- 451CG004 GLASS STOP
- 451TVG316 END DAM
- 451TVG037 FLASHING
- 451CG366 SILL REGLET CLIP
- 028808 #8 x 1/2" PHTF "AB"
- 127043 WEATHERING
- 028856 SPLINE SCREW
- 027074 STANDARD PUSH ON GASKET
- 027073 EPDM SETTING BLOCK

ALUM BRAKE
METAL FLASHING



93
3.20
REF: 12/A5.1
FS

- 451TCG001 MULLION/JAMB/SILL
- 451T126 THERMAL FLAT FILLER
- 451T026 THERMAL CONTINUOUS POCKET FILLER
- 028856 SPLINE SCREW
- 027074 STANDARD PUSH ON GASKET



94
3.20
REF: 14/A5.1
FS

- 451TCG014 SILL
- 451TVG037 HP SILL FLASHING
- 451CG004 GLASS STOP
- 451TVG316 END DAM
- 128407 10 x 7/16" TYPE I CRPHTFS "B"
- 028808 #8 x 1/2" PHTF "AB"
- 028856 SPLINE SCREW
- 027074 STANDARD PUSH ON GASKET
- 027073 EPDM SETTING BLOCK

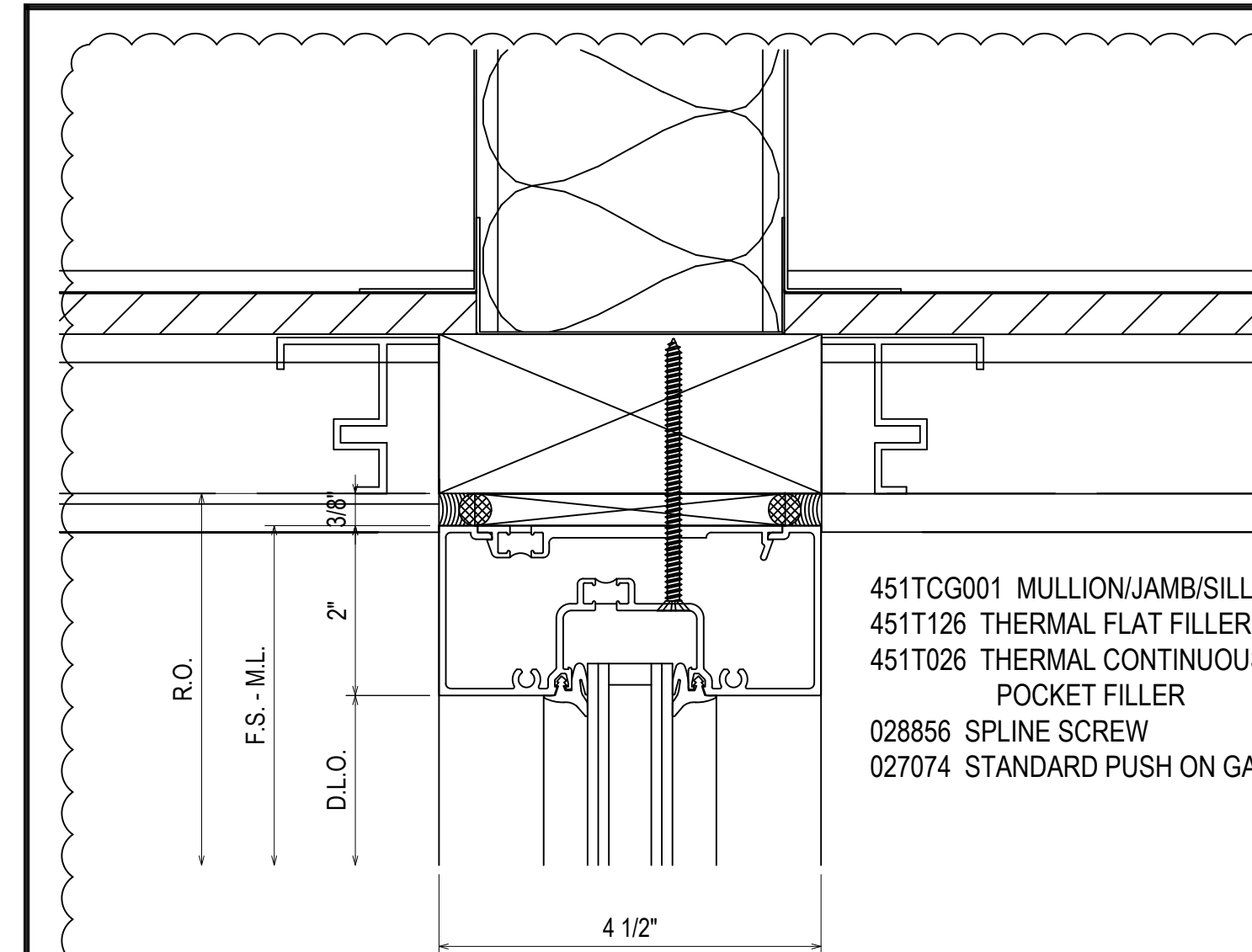
1ST SUBMISSION	8.1.22
1ST REVISION	10.12.22
2ND REVISION	12.16.22
NO	DESCRIPTION
NO	DATE

ERECTOR:
MUSCOGEE GLASS
6922 JAMESSON WAY
MIDLAND, GA 31820
(706)-569-9500

PROJECT: MCSD ELEMENTARY SCHOOL NO. 8

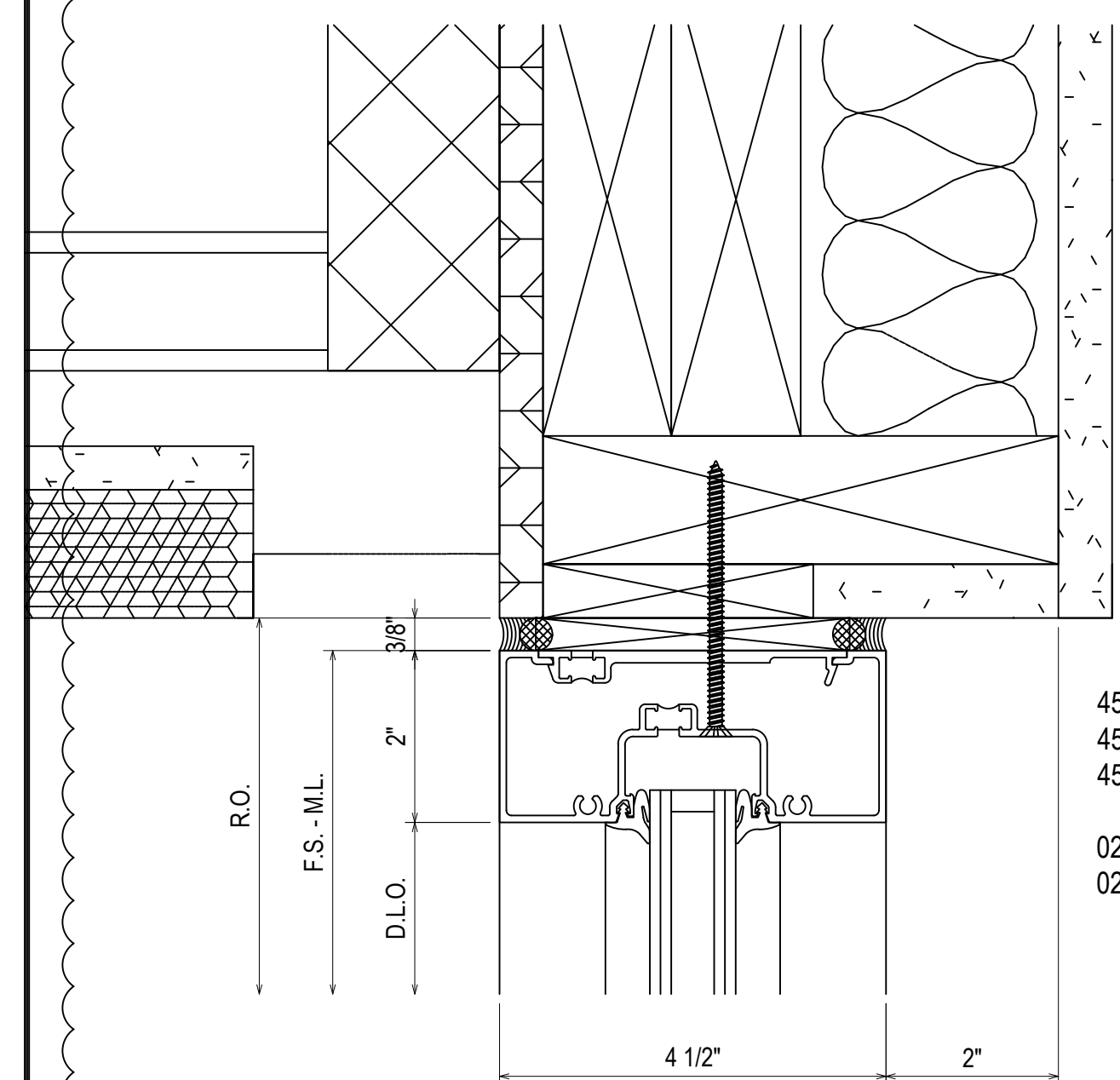
LOCATION: 180 NORTHSTAR DRIVE
COLUMBUS, GA 31907

DRAWN BY:	DATE:
DJ	8.1.22
CHECKED BY:	DATE:
CJ	8.1.22



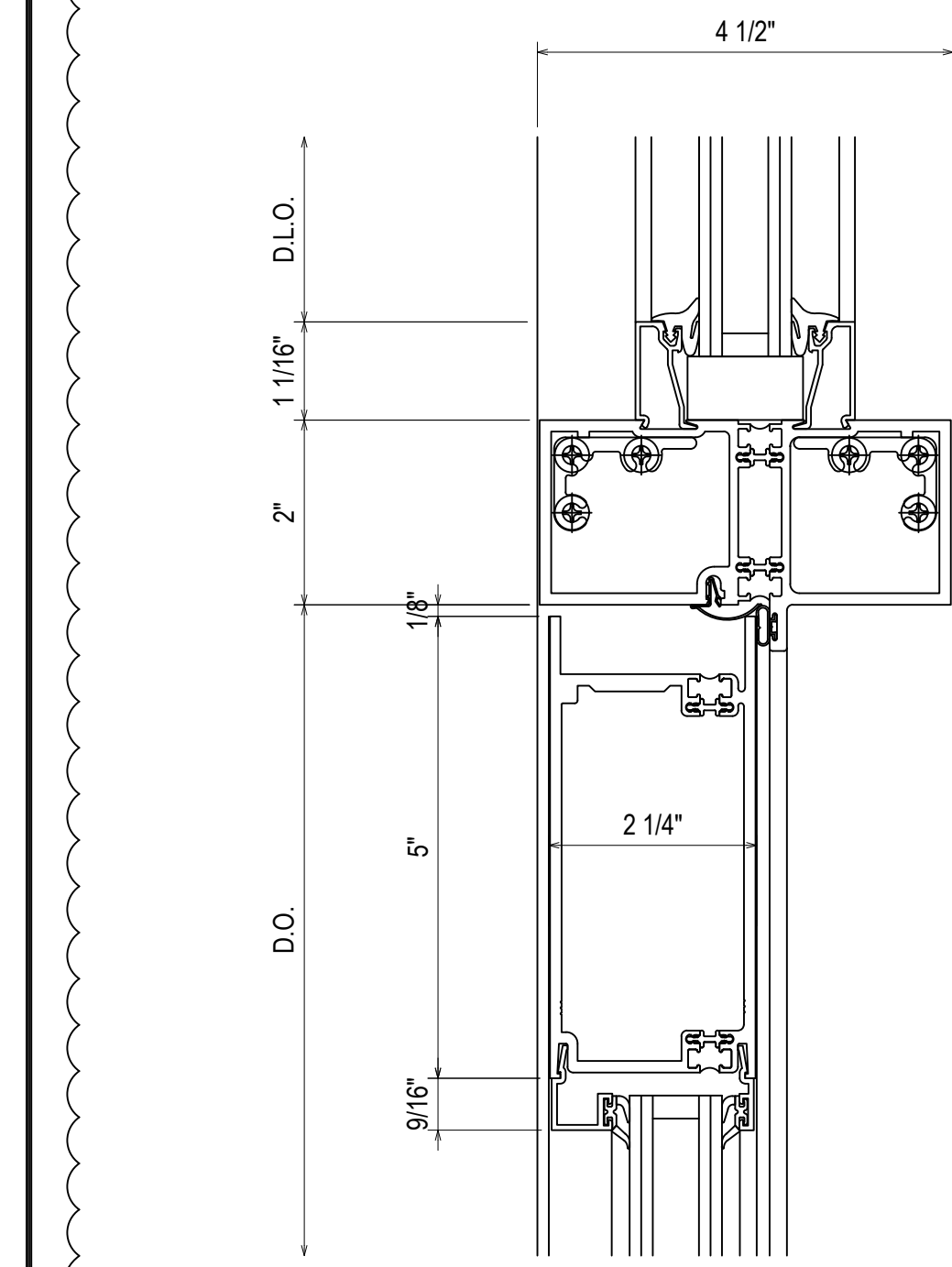
451TCG001 MULLION/JAMB/SILL
 451T126 THERMAL FLAT FILLER
 451T026 THERMAL CONTINUOUS
 POCKET FILLER
 028856 SPLINE SCREW
 027074 STANDARD PUSH ON GASKET

95
 3.21
 REF: 26/A2.5
 HH



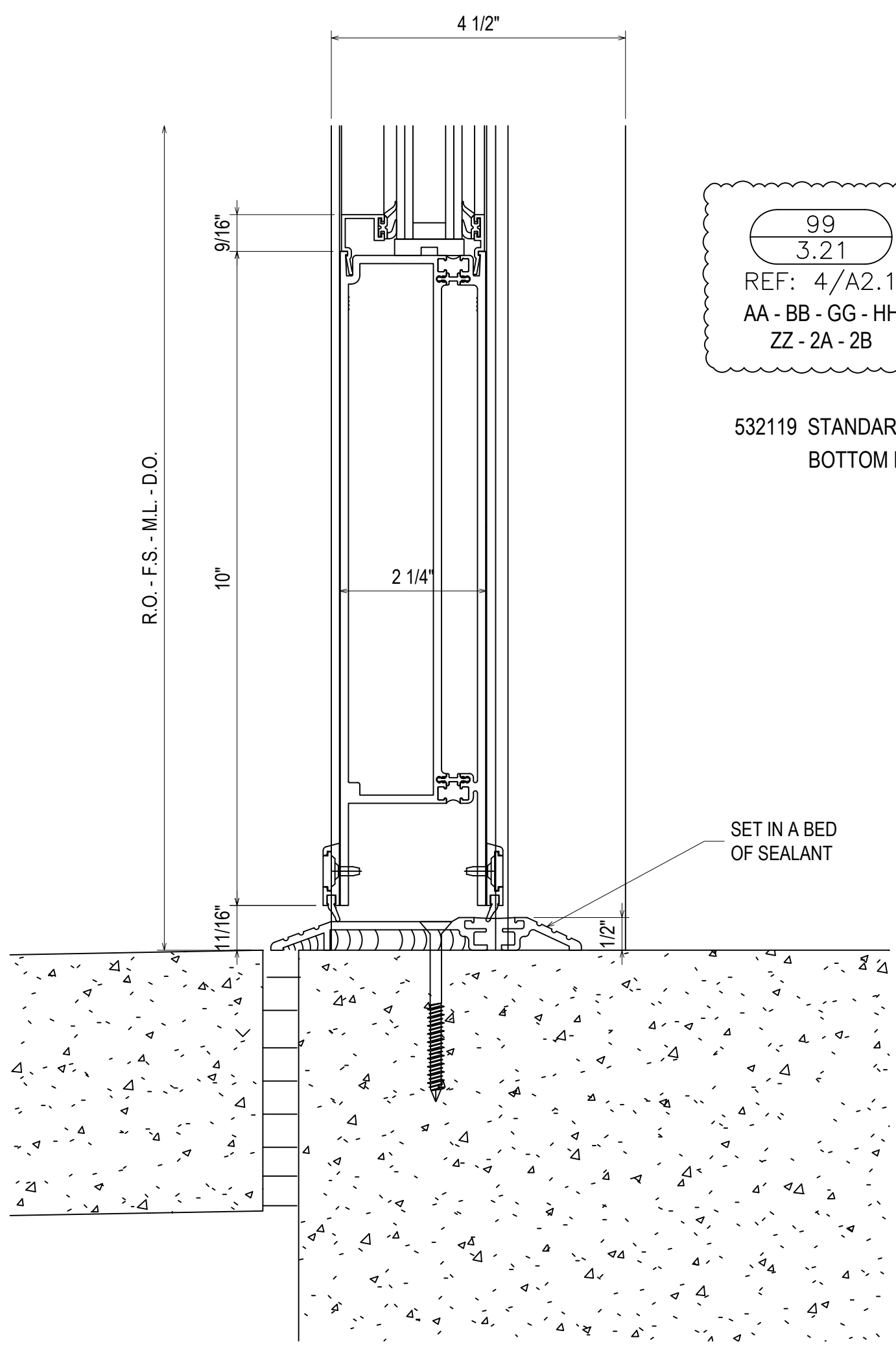
451TCG001 MULLION/JAMB/SILL
 451T126 THERMAL FLAT FILLER
 451T026 THERMAL CONTINUOUS
 POCKET FILLER
 028856 SPLINE SCREW
 027074 STANDARD PUSH ON GASKET

96
 3.21
 REF: 23/A2.5
 JJ



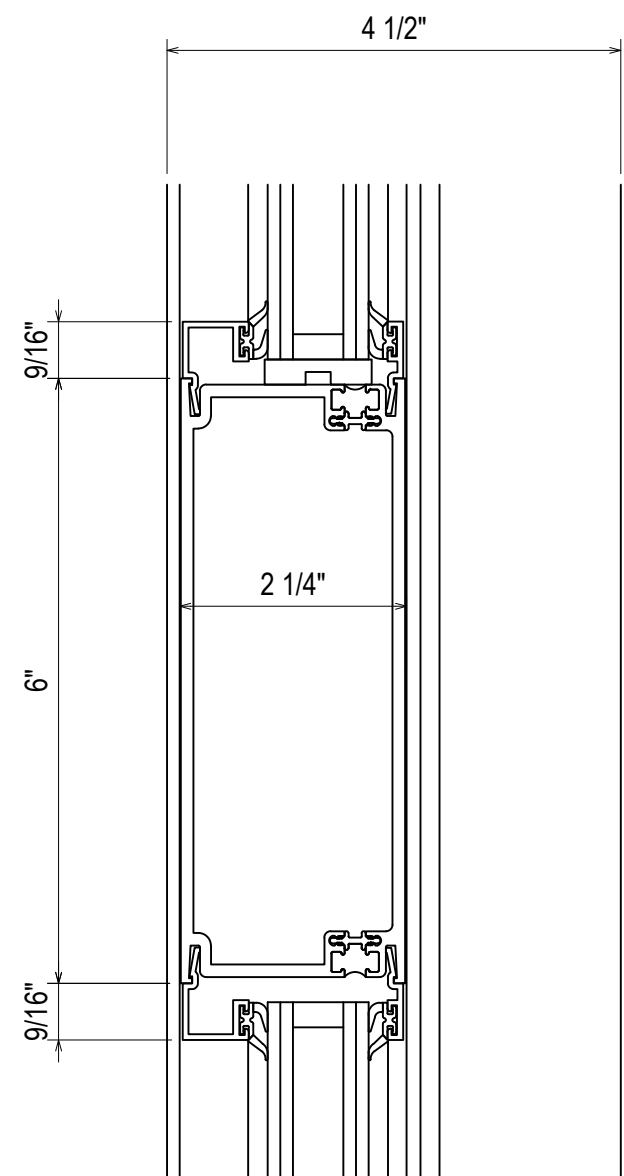
534502 SA DOOR T-BAR W/
 WEATHERING PACKAGE
 450022 TRANSOM BAR GLASS STOP
 534402 SHEAR BLOCK
 027413 WEATHERING FOR
 THERMAL DOOR
 532123 5\"/>

97
 3.21
 REF: N/A
 AA - BB - GG - HH

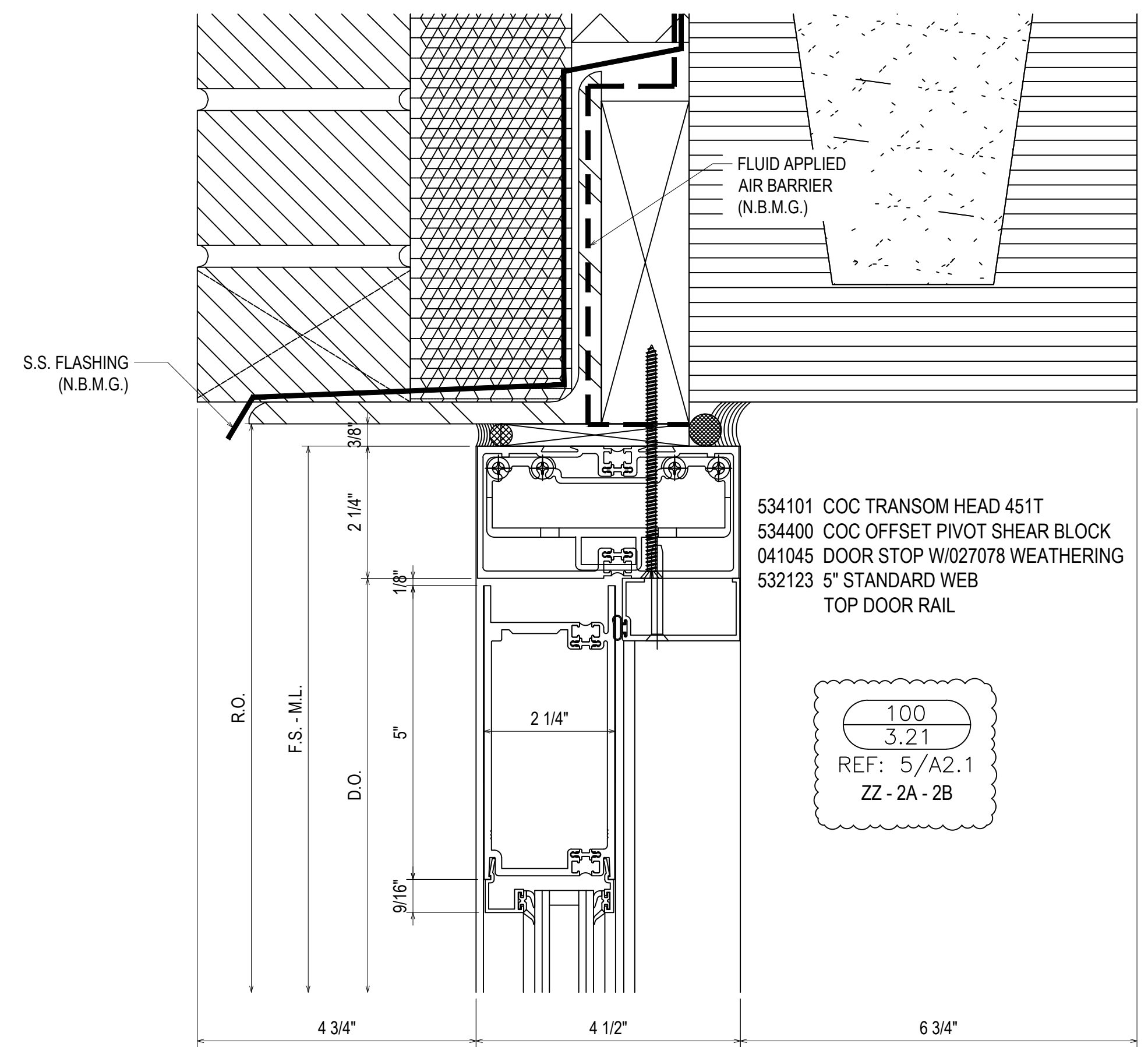


99
 3.21
 REF: 4/A2.1
 AA - BB - GG - HH
 ZZ - 2A - 2B

532119 STANDARD 10\"/>
 BOTTOM DOOR RAIL

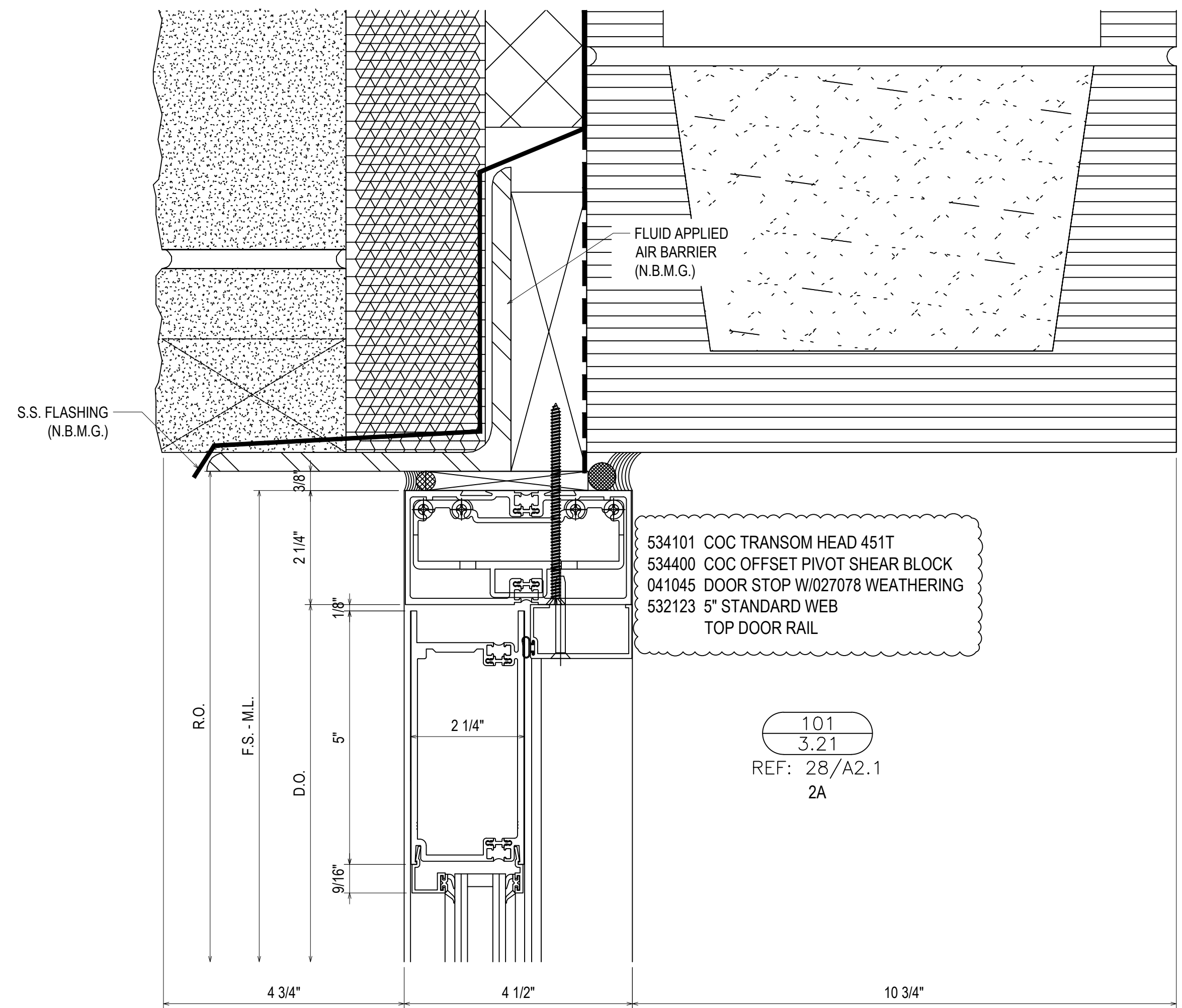


532130 6\"/>
 CROSS RAIL



534101 COC TRANSOM HEAD 451T
 534400 COC OFFSET PIVOT SHEAR BLOCK
 041045 DOOR STOP W/027078 WEATHERING
 532123 5\"/>
 TOP DOOR RAIL

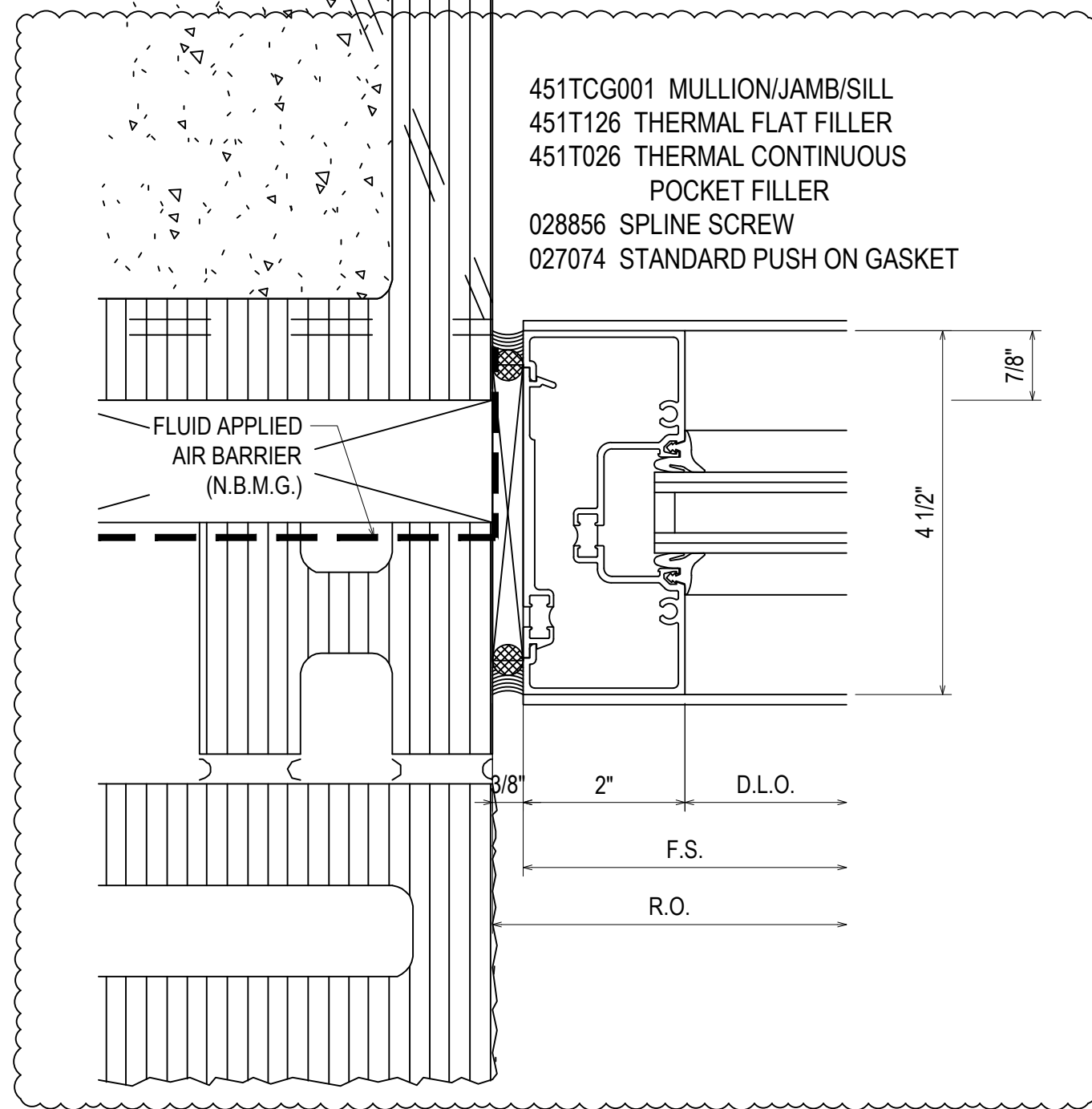
100
 3.21
 REF: 5/A2.1
 ZZ - 2A - 2B



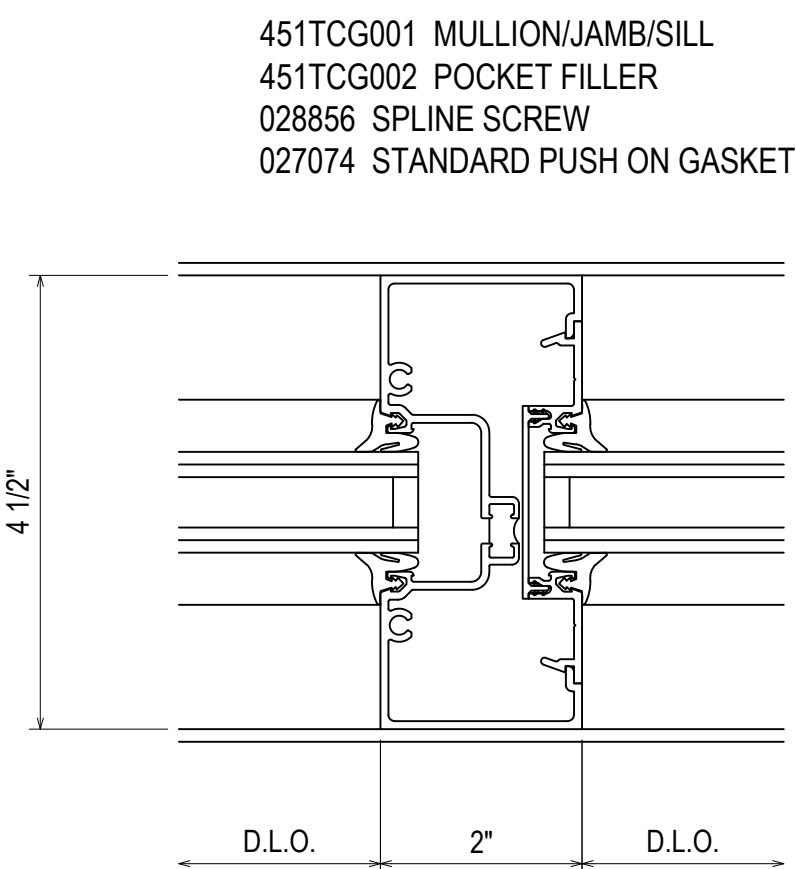
534101 COC TRANSOM HEAD 451T
 534400 COC OFFSET PIVOT SHEAR BLOCK
 041045 DOOR STOP W/027078 WEATHERING
 532123 5\"/>
 TOP DOOR RAIL

101
 3.21
 REF: 28/A2.1
 2A

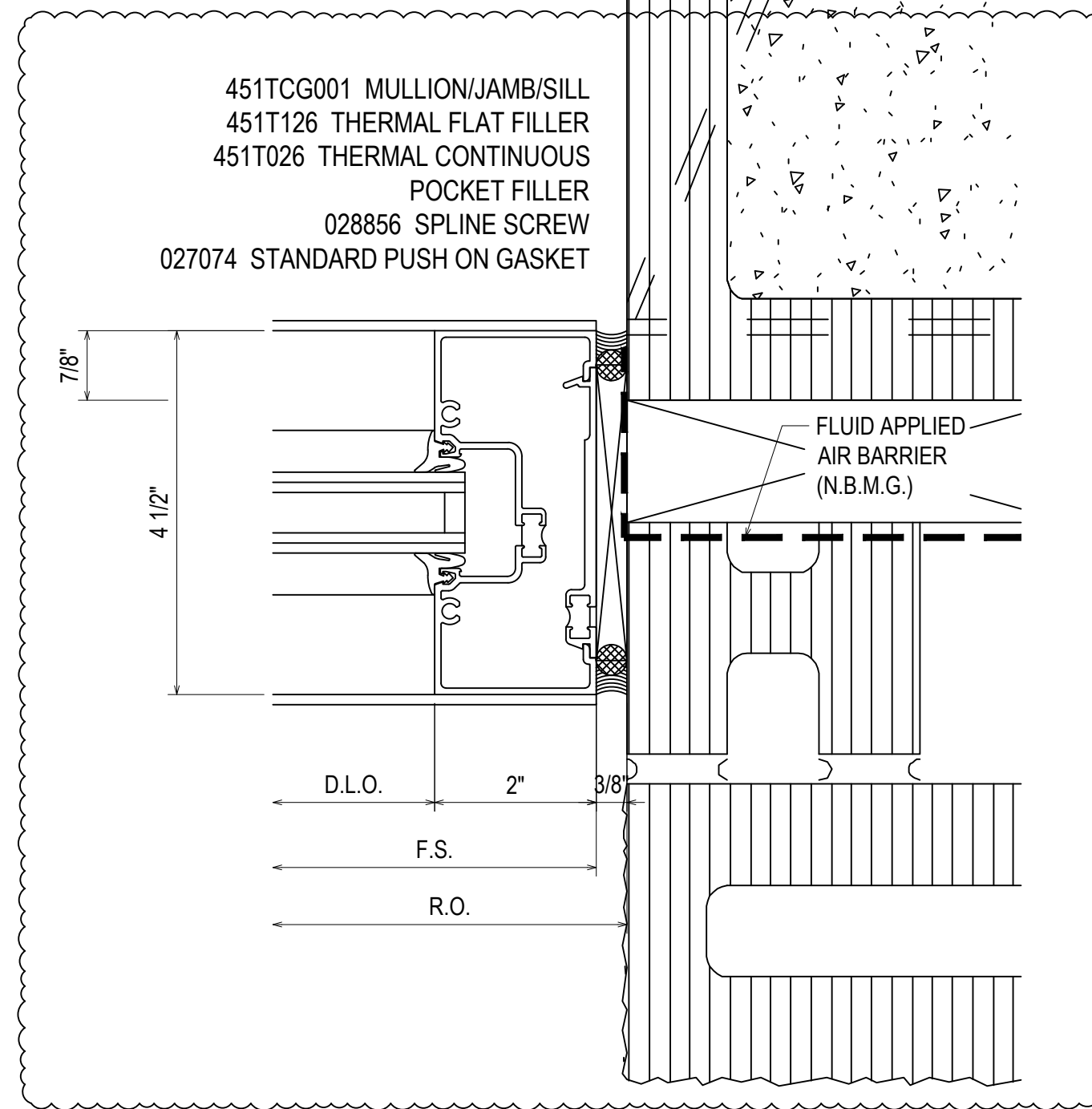
PROJECT: MCSD ELEMENTARY SCHOOL NO. 8	ERECTOR: MUSCOGEE GLASS
LOCATION: 180 NORTHSTAR DRIVE COLUMBUS, GA 31907	6922 JAMESSON WAY MIDLAND, GA 31820 (706)-569-9500
DRAWN BY: DJ	DATE: 8.1.22
CHECKED BY: CJ	DATE: 8.1.22
1ST SUBMISSION	8.1.22
1ST REVISION	10.12.22
2ND REVISION	12.16.22
NO	NO
DESCRIPTION	DATE
DRAWING SUBMISSION	



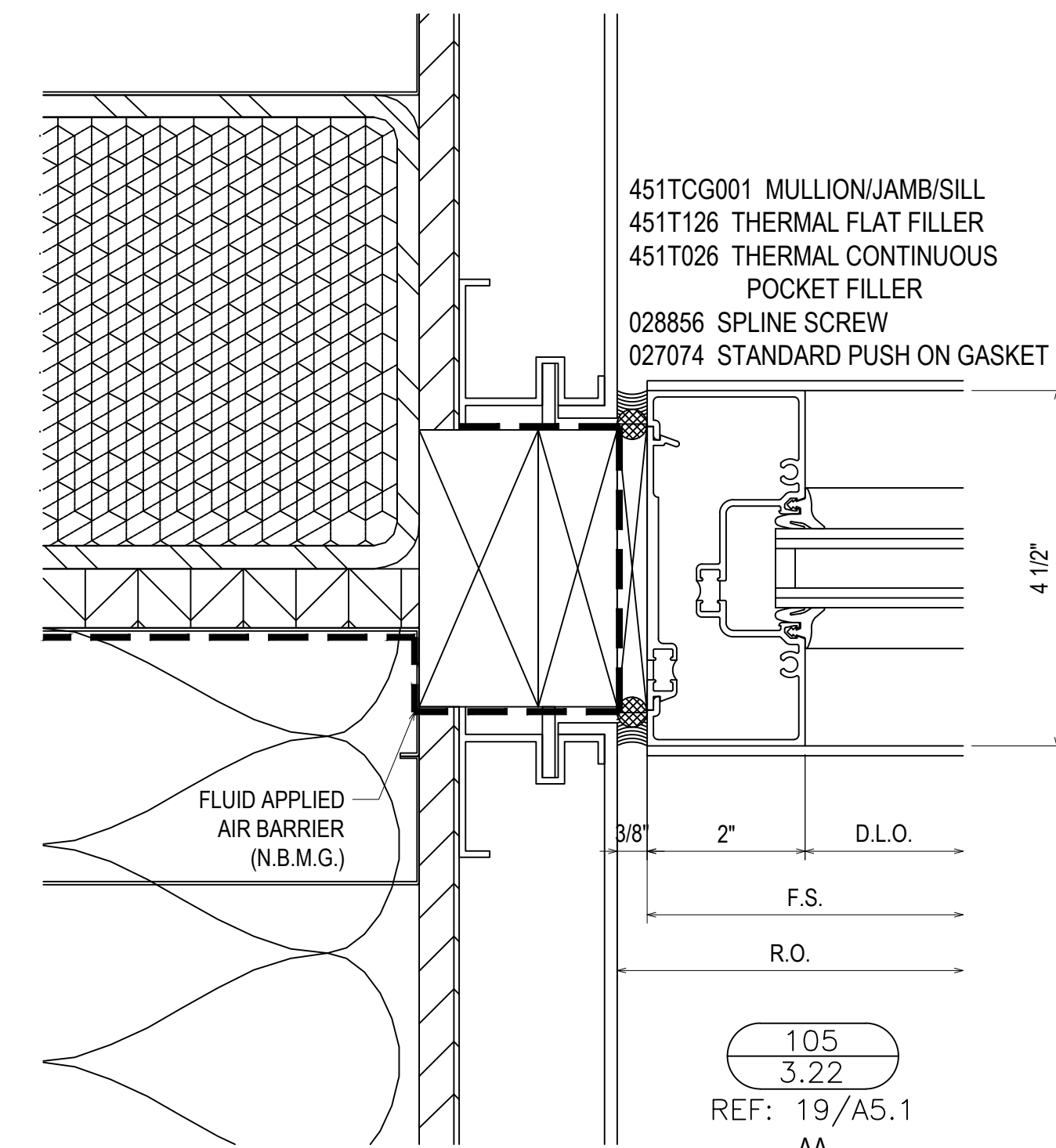
102
3.22
REF: 2/A2.5
A-AR



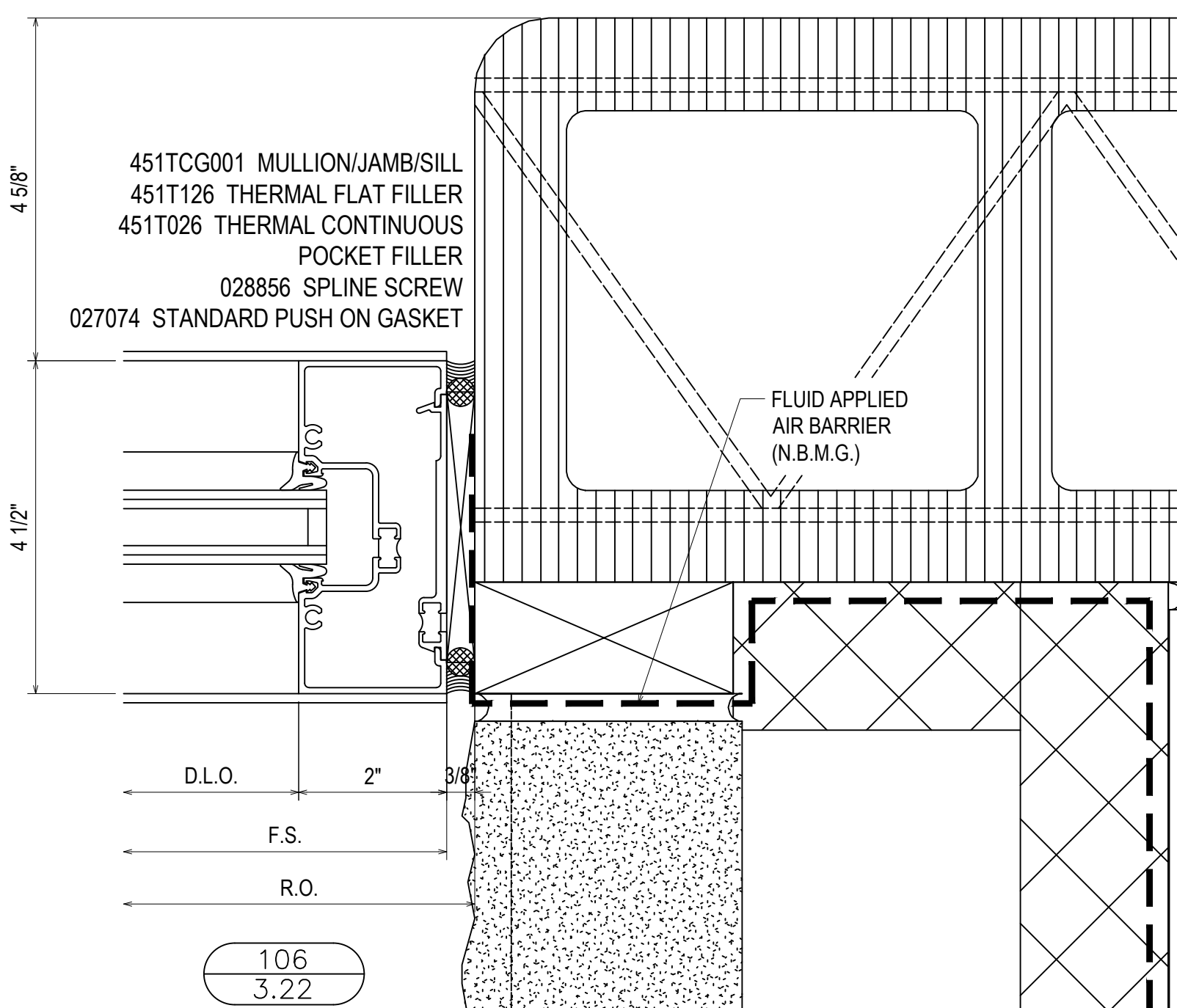
103
3.22
REF: N/A
TYPICAL VERTICAL



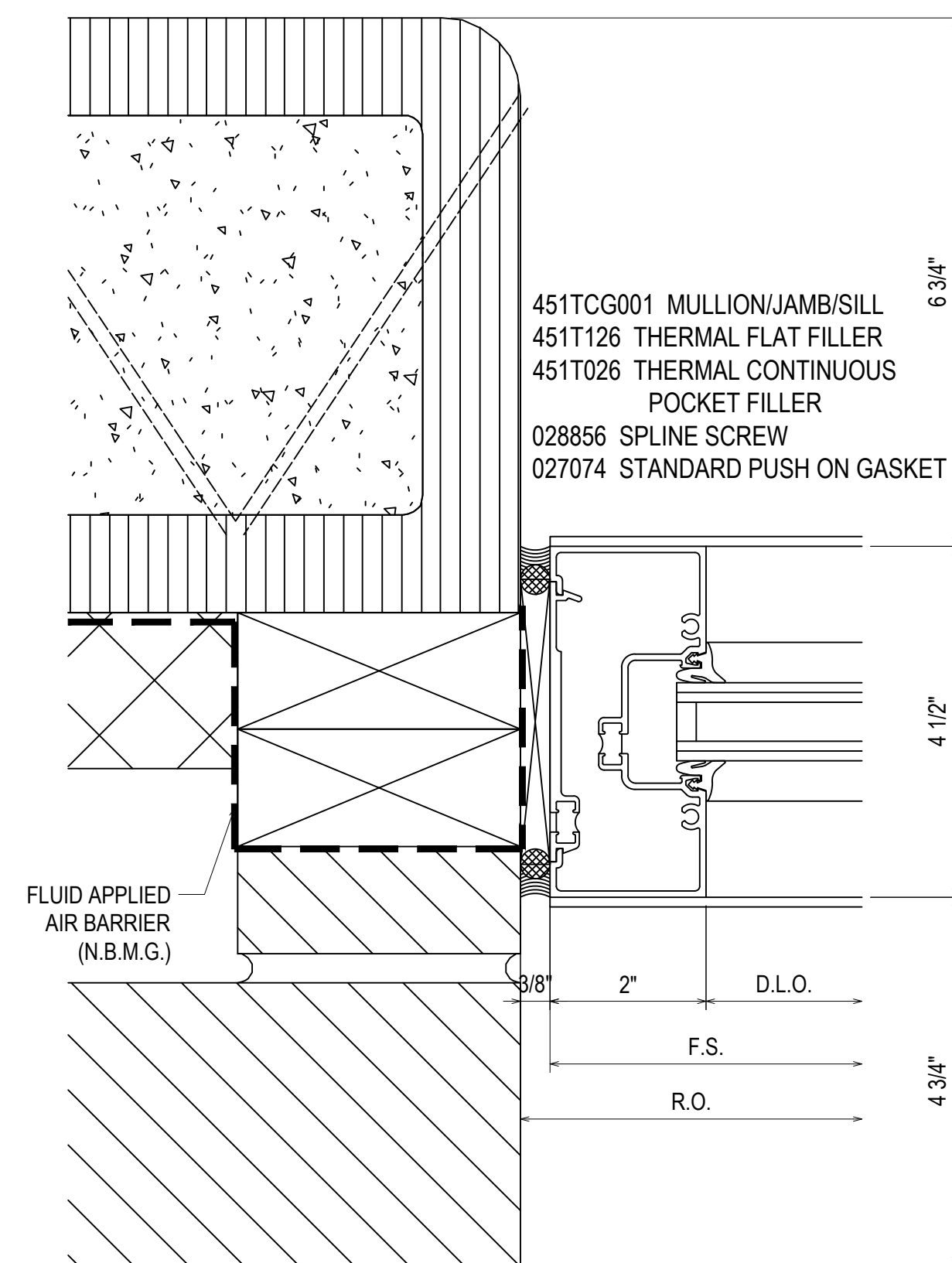
104
3.22
REF: 2/A2.5
A-AR



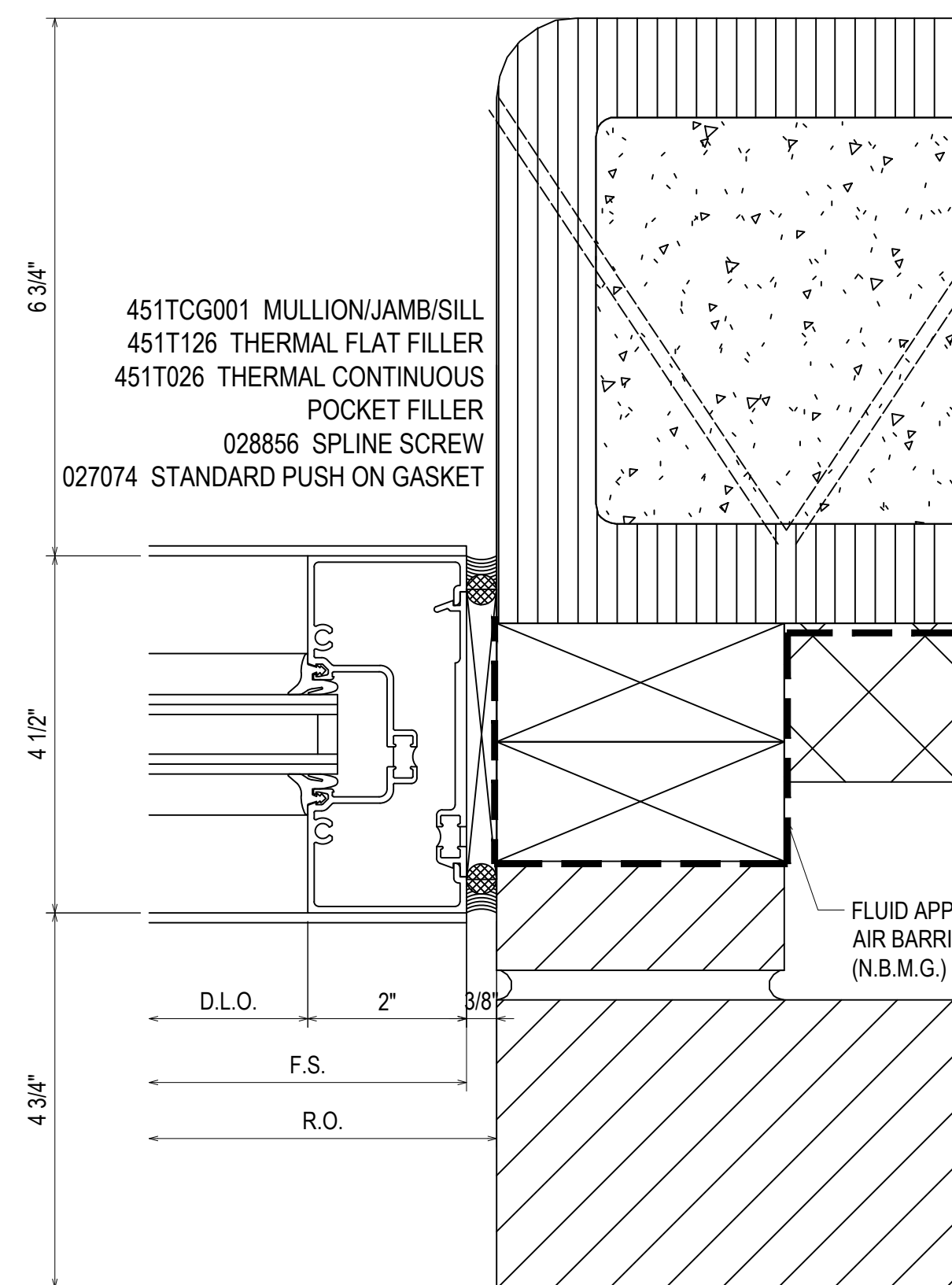
105
3.22
REF: 19/A5.1
AA



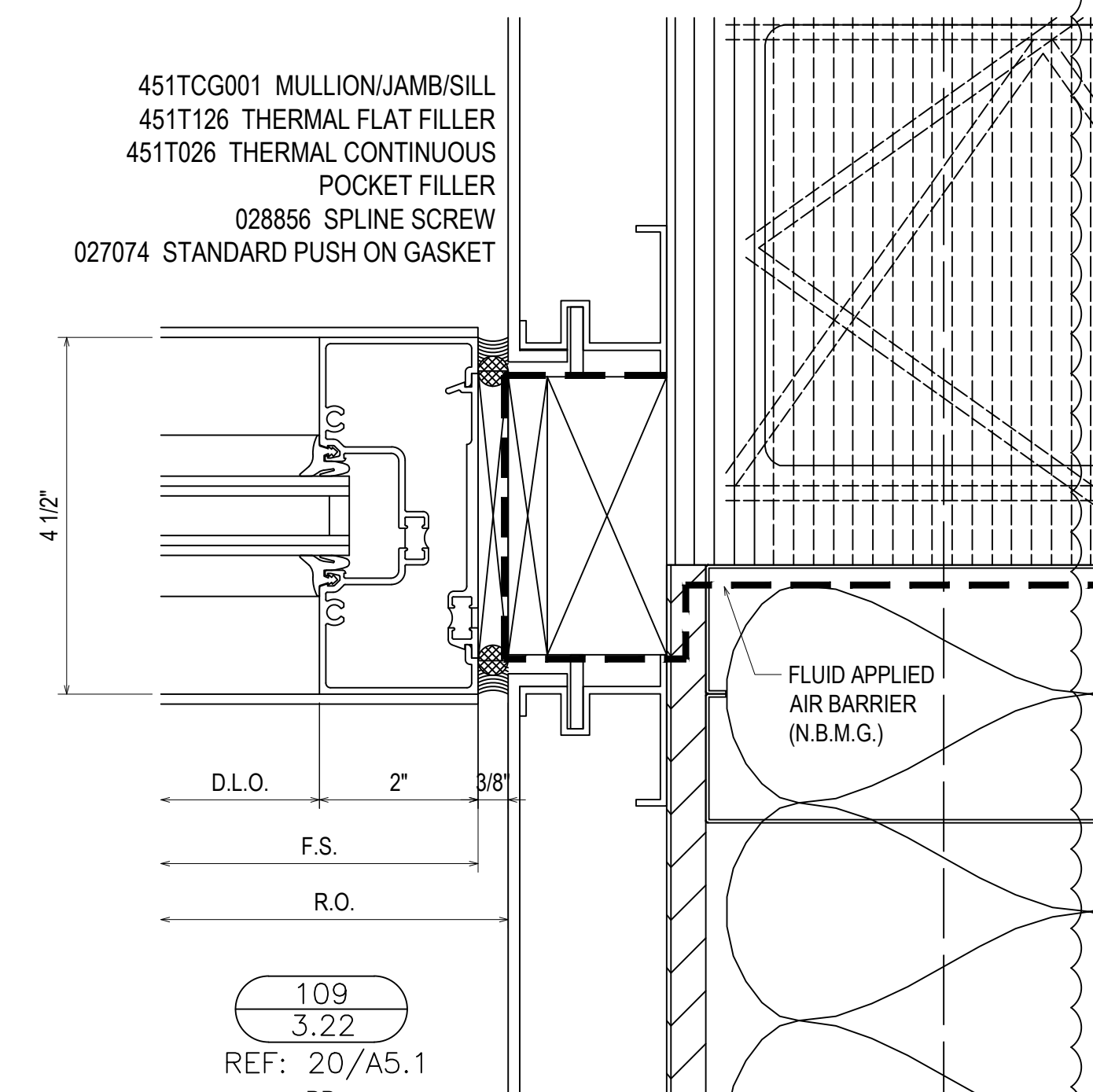
106
3.22
REF: 2/A5.0
AA



107
3.22
REF: 7/A2.5
B-BB - C-CC
FF

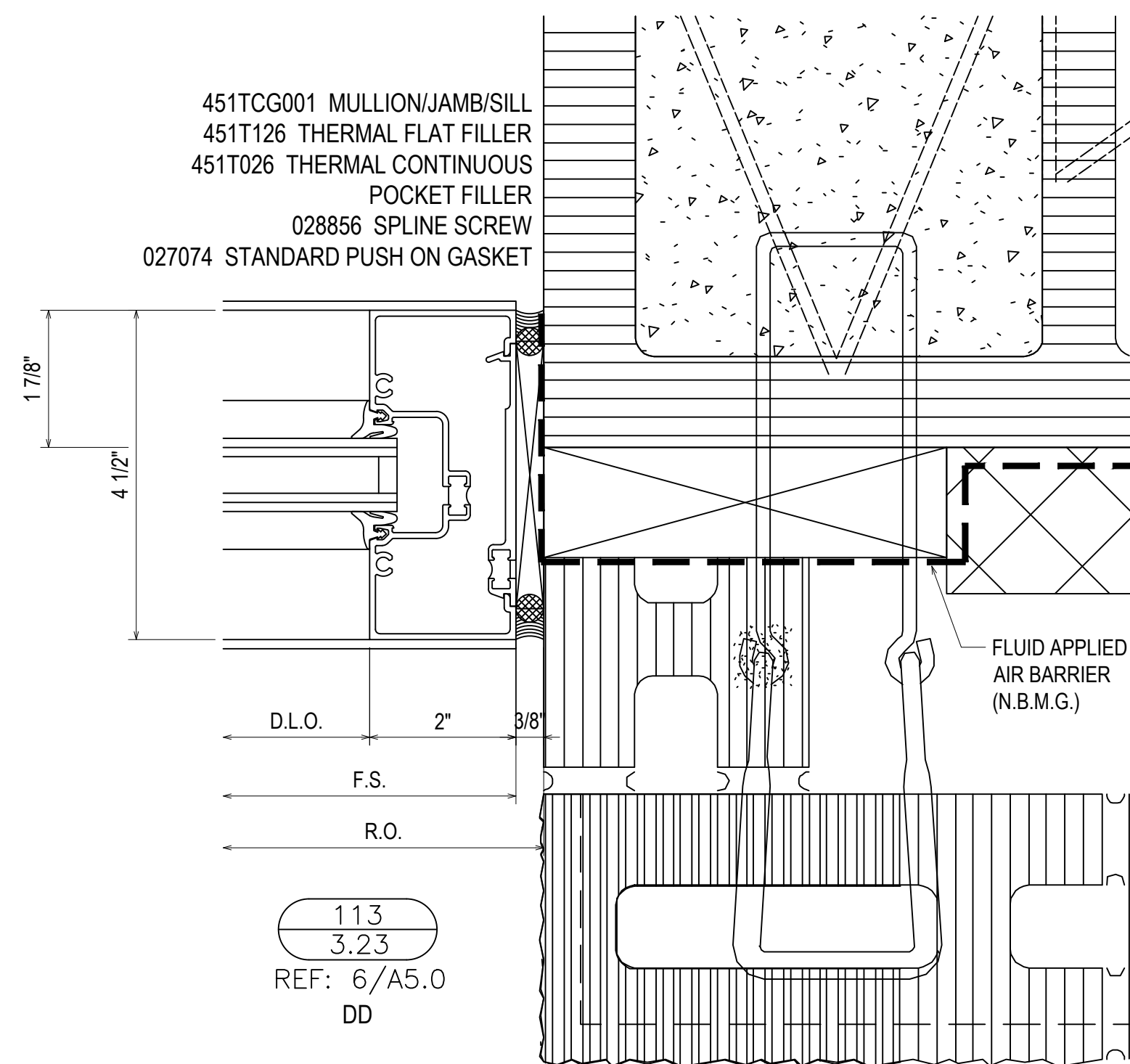
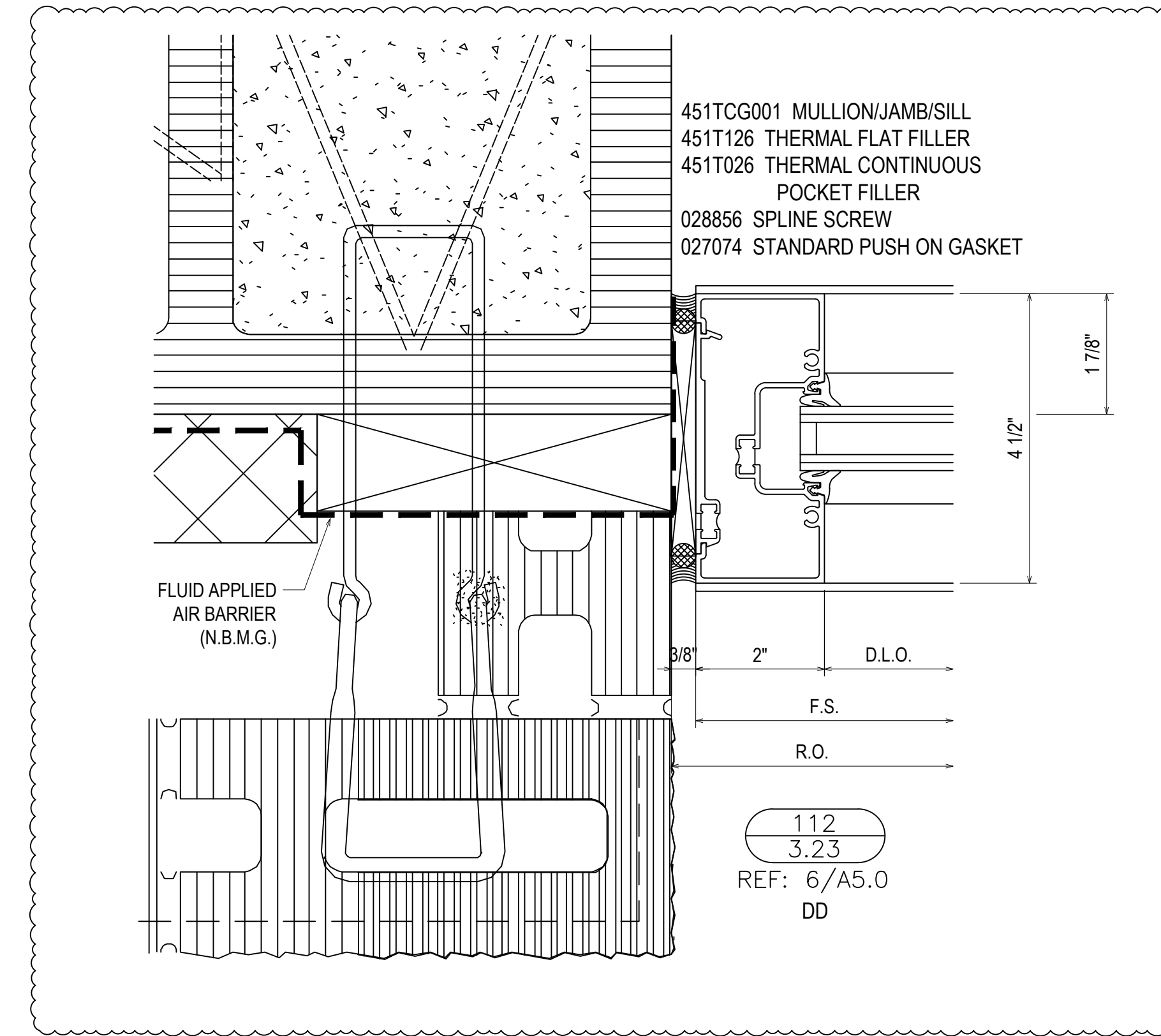
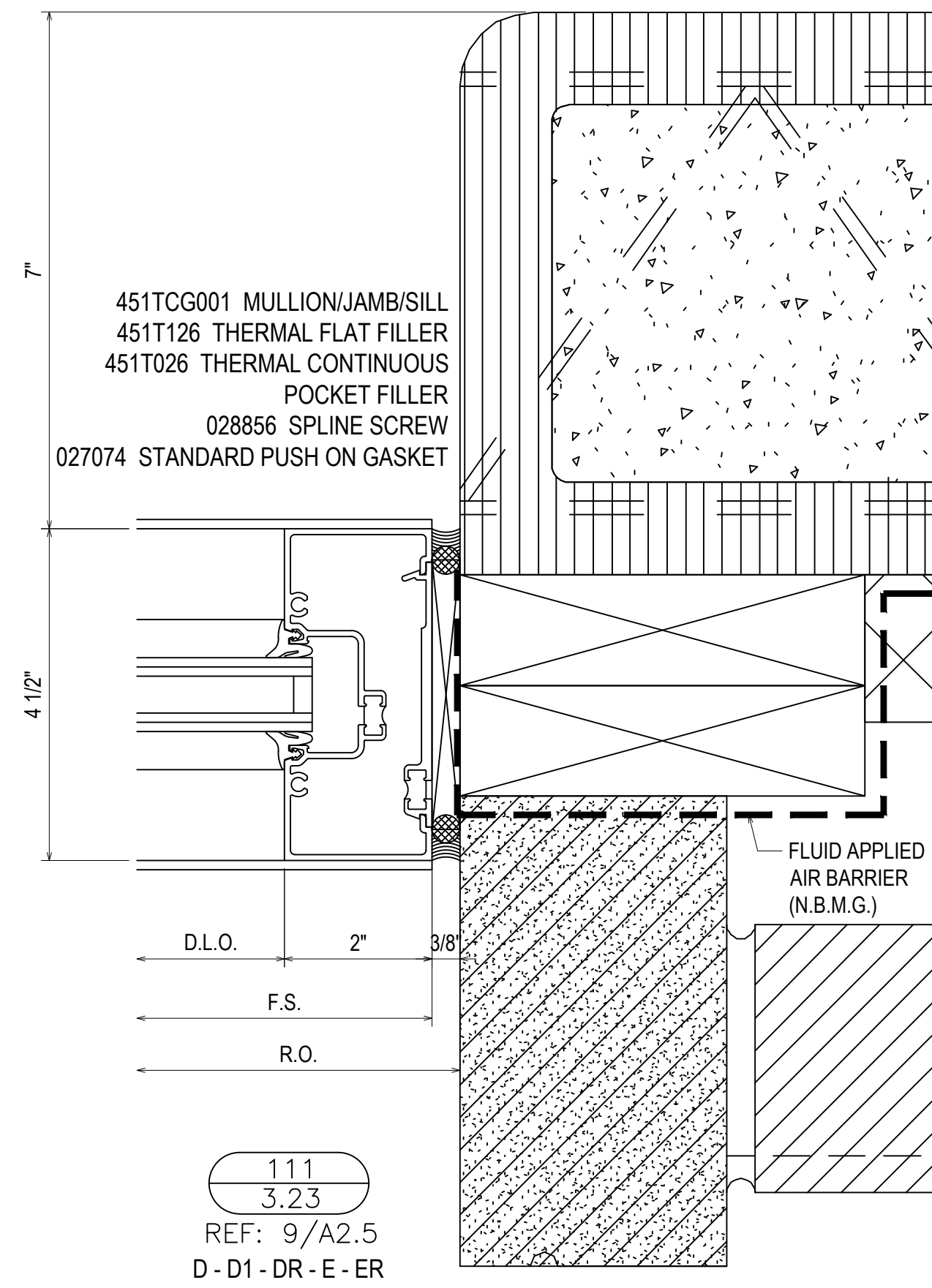
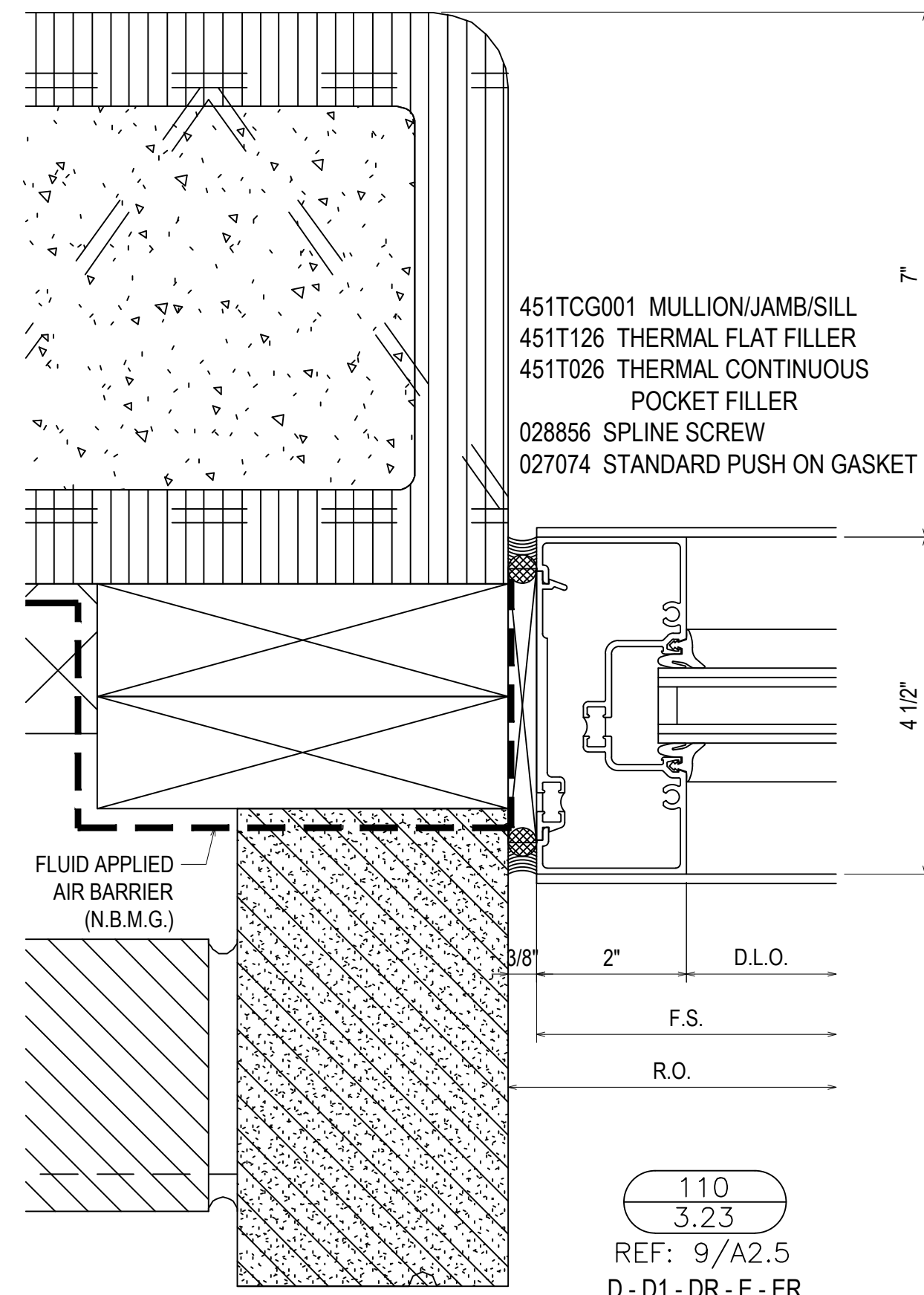


108
3.22
REF: 7/A2.5
B-C-CC-EE



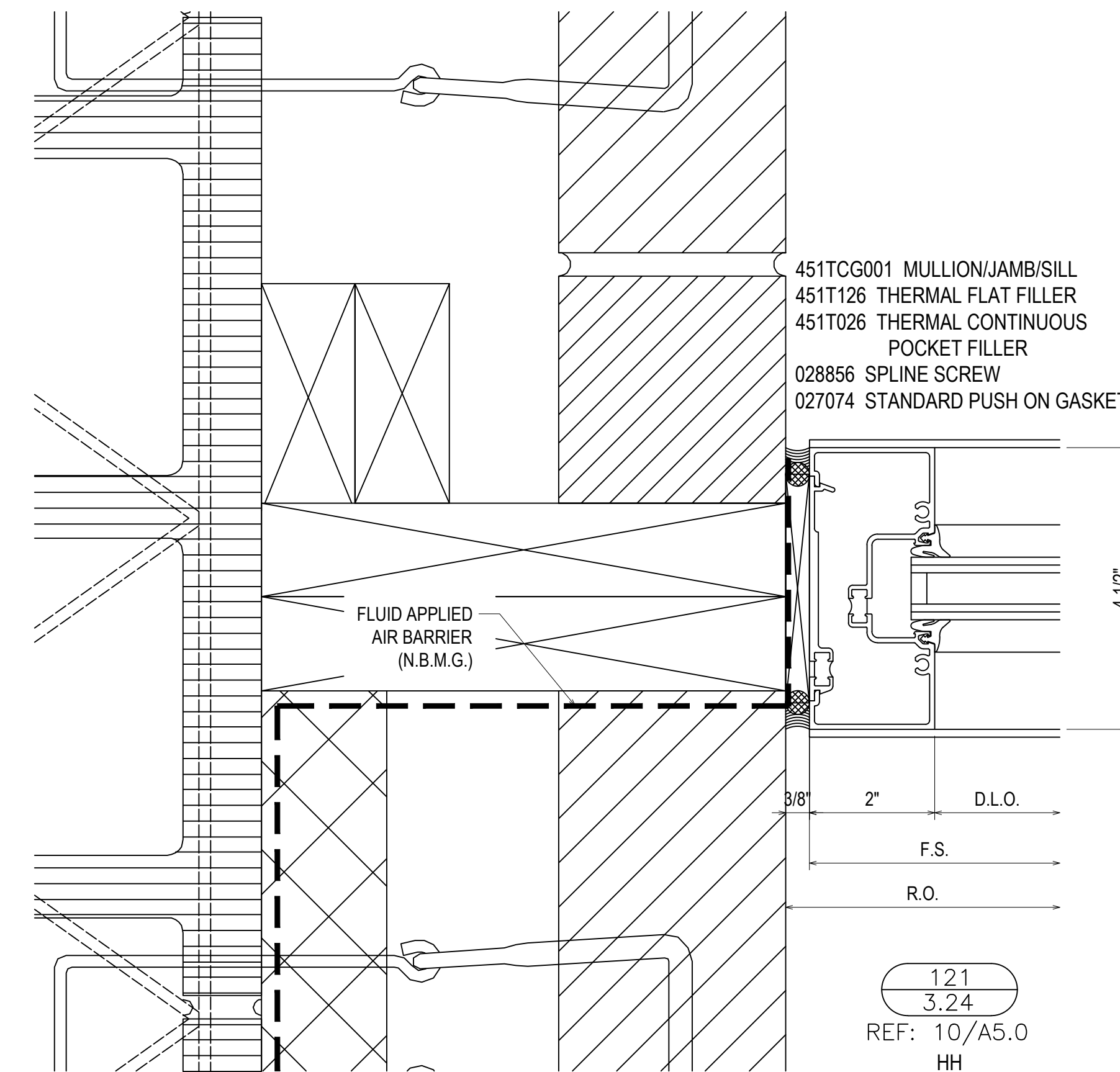
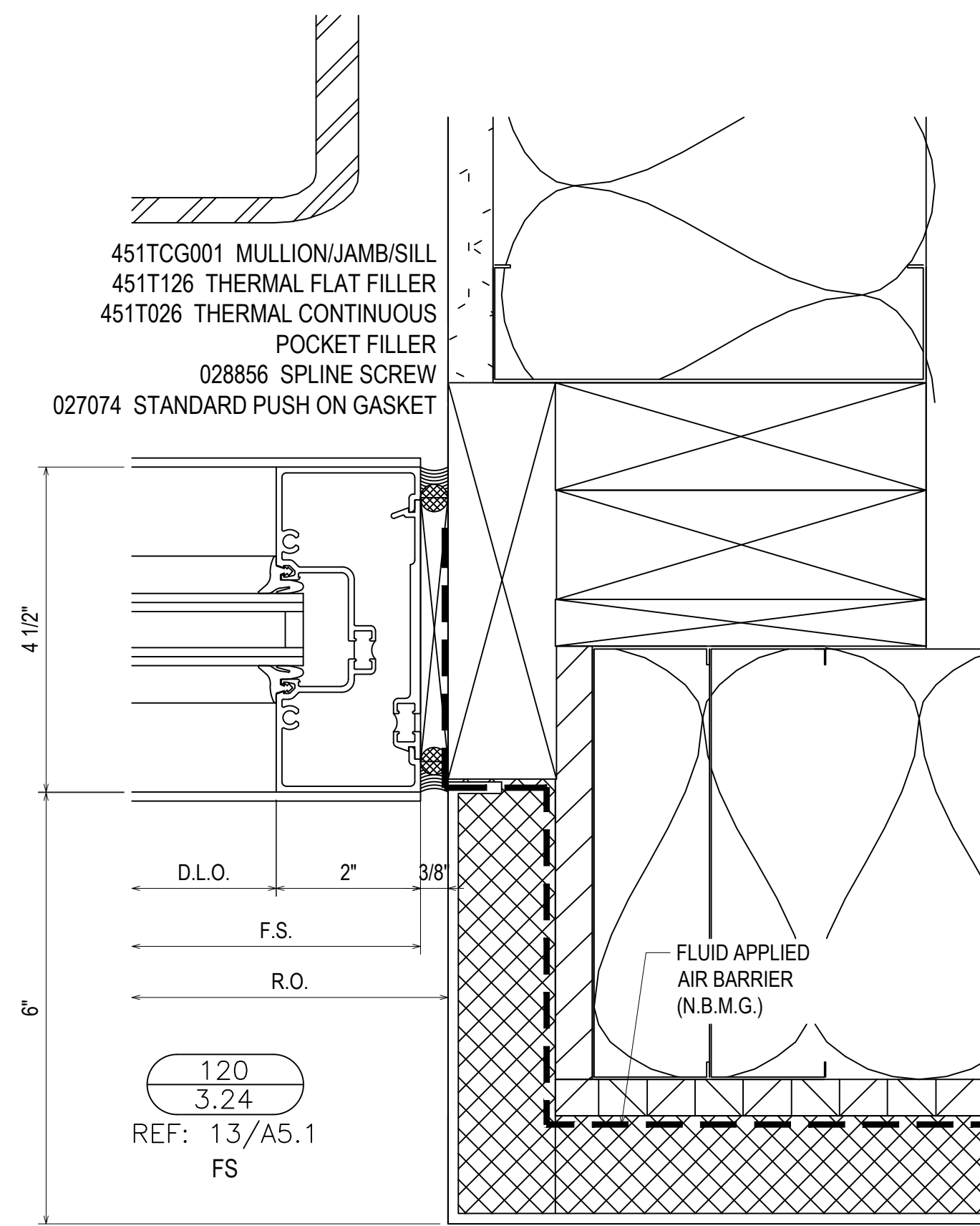
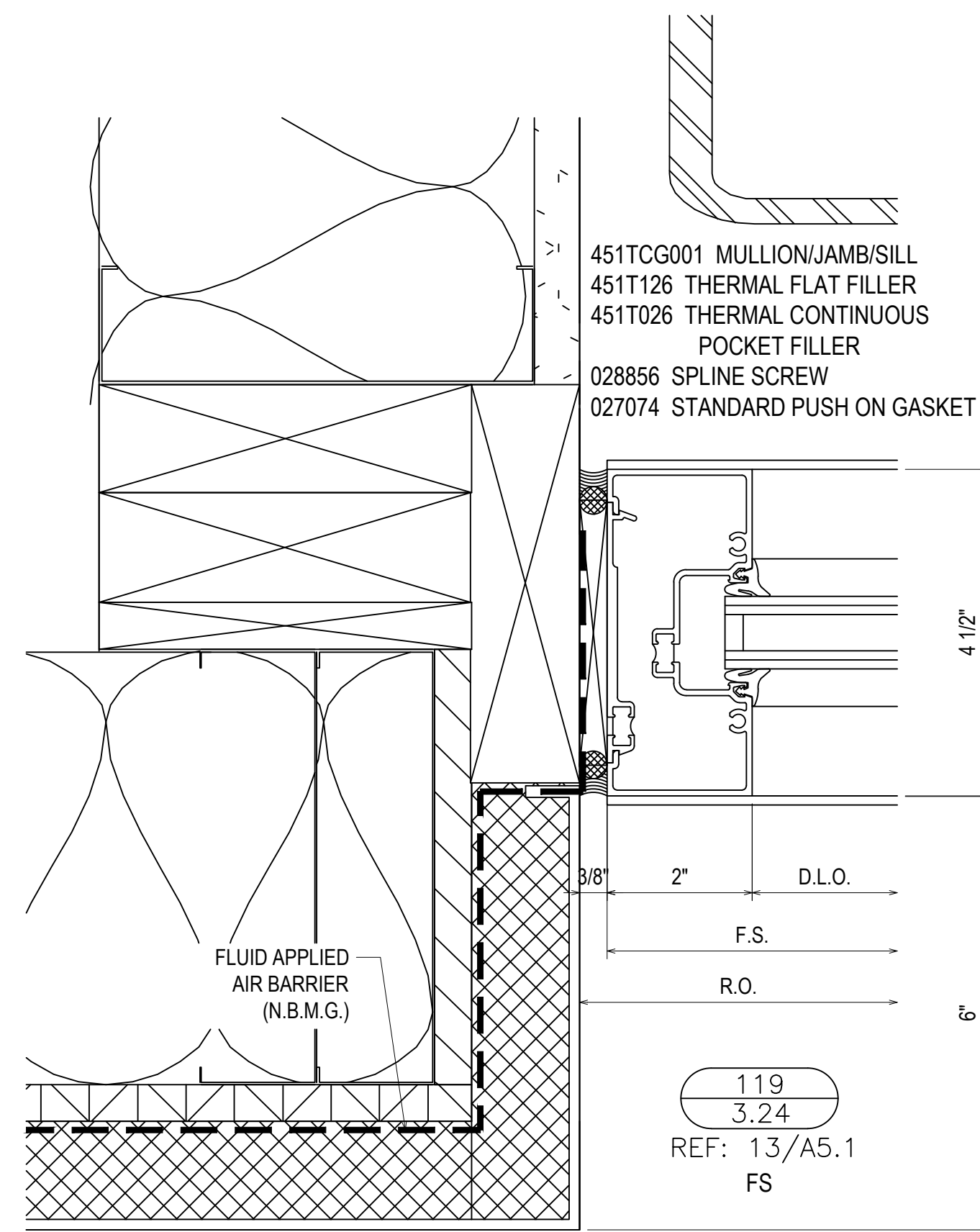
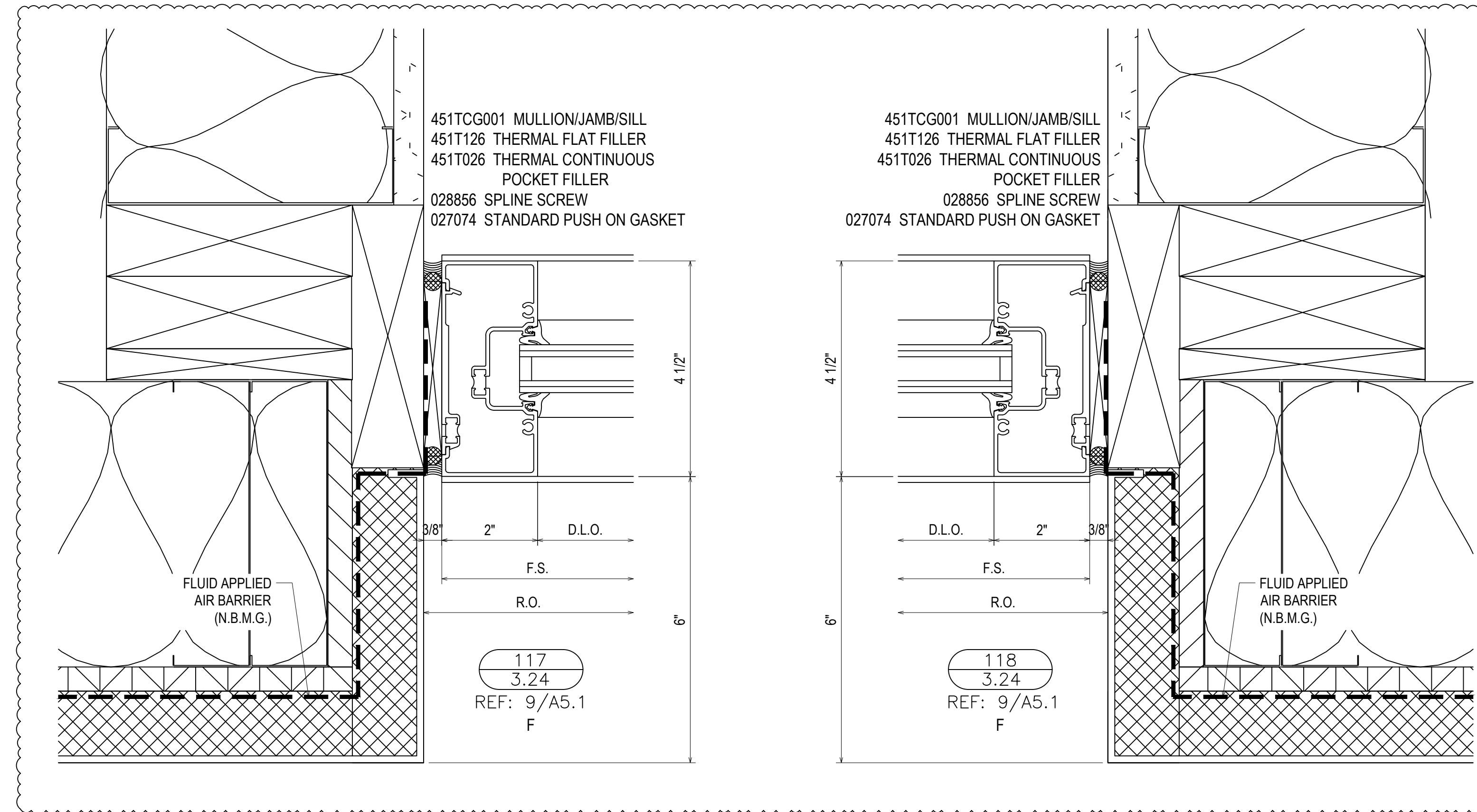
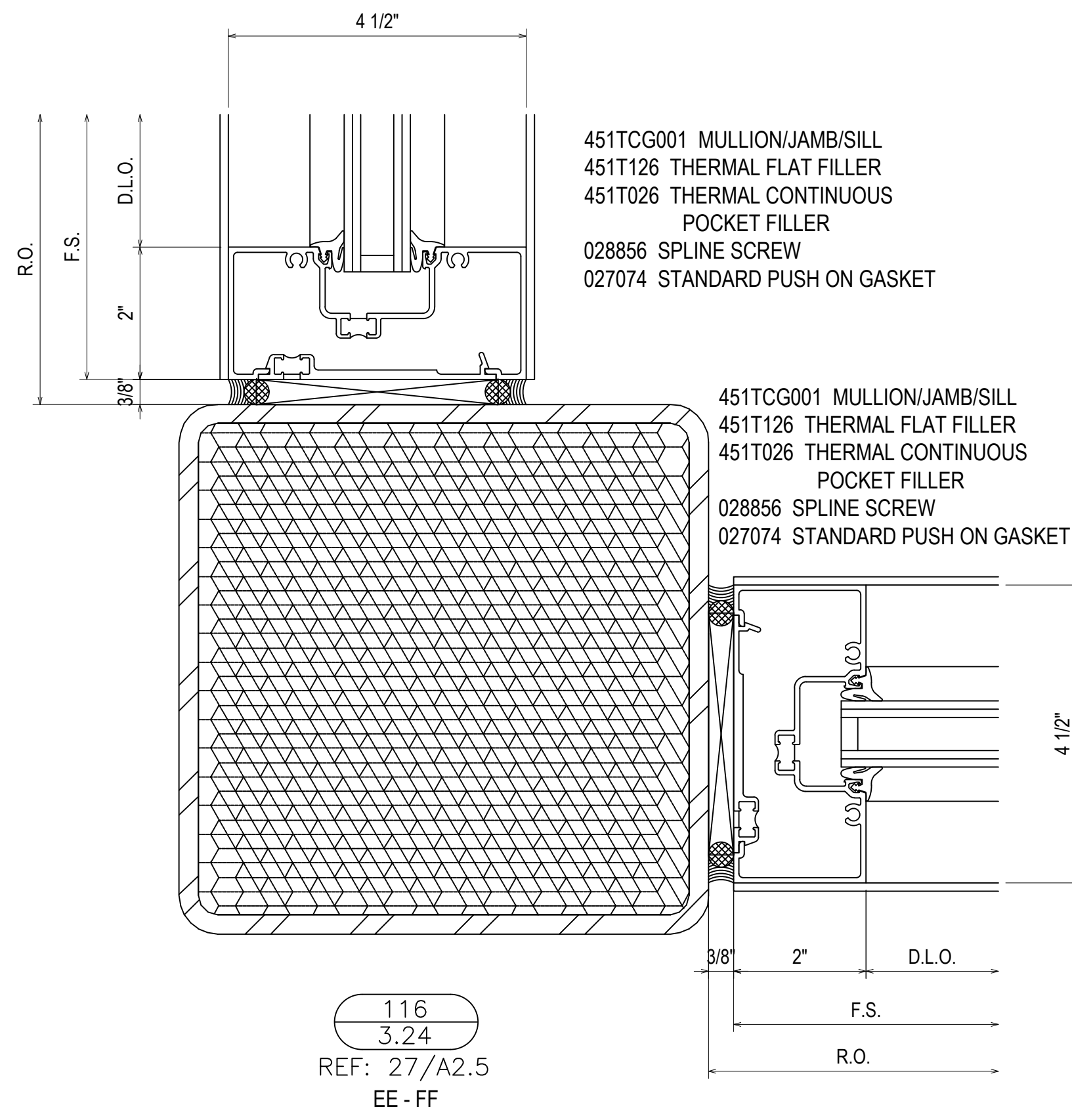
109
3.22
REF: 20/A5.1
BB

ERECTOR:	MUSCOGEE GLASS		
	6922 JAMESSON WAY		
	MIDLAND, GA 31820		
	(706)-569-9500		
PROJECT:	MCSO ELEMENTARY SCHOOL NO. 8		
LOCATION:	180 NORTHSTAR DRIVE COLUMBUS, GA 31907		
DRAWN BY:	DJ	DATE:	8.1.22
CHECKED BY:	CJ	DATE:	8.1.22
1ST SUBMISSION	8.1.22	DESCRIPTION	DRAWING SUBMISSION
1ST REVISION	10.12.22	NO	
2ND REVISION	12.16.22		

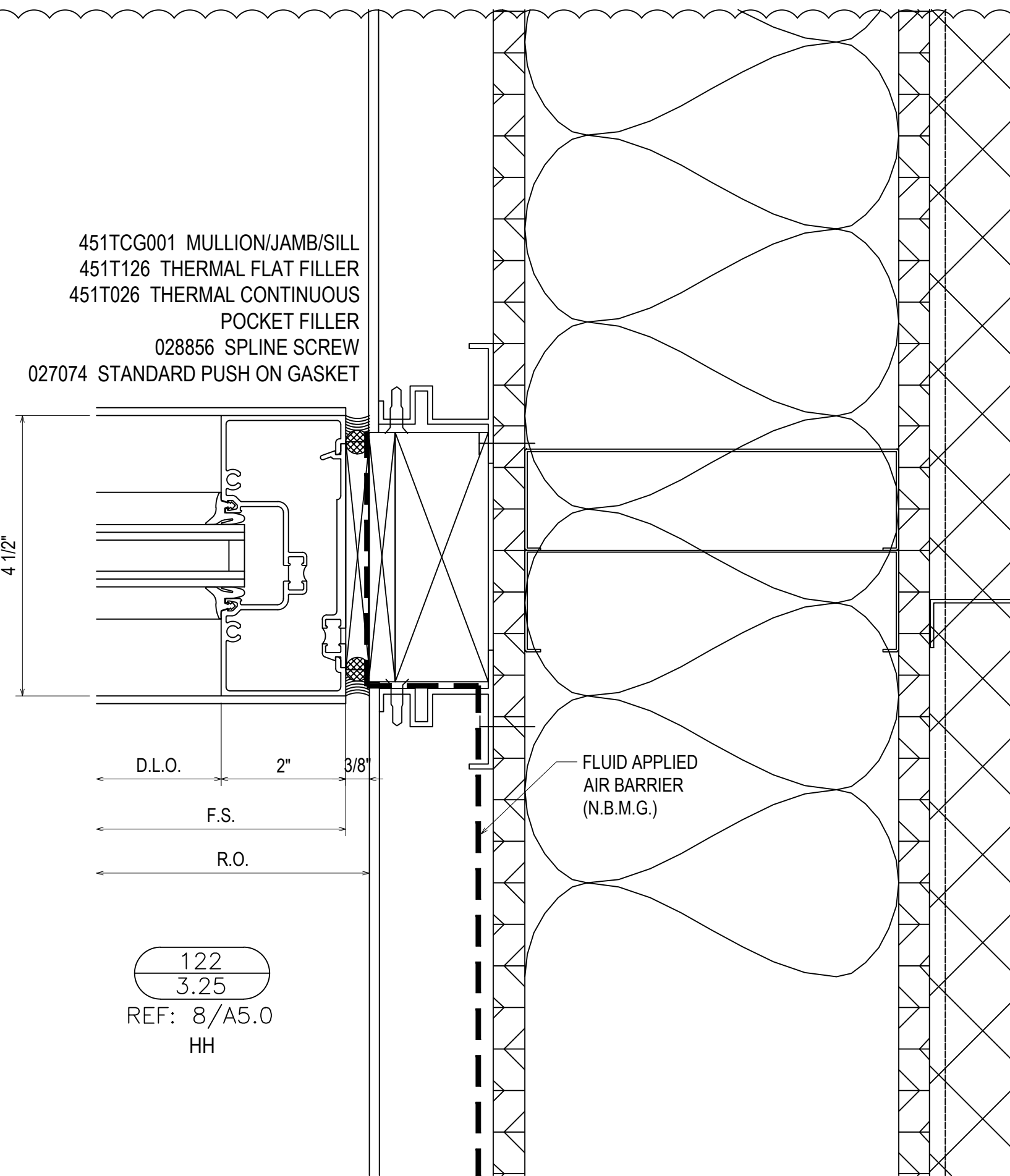


DETAILS 114 AND 115 HAVE
 BEEN DELETED FROM PROJECT

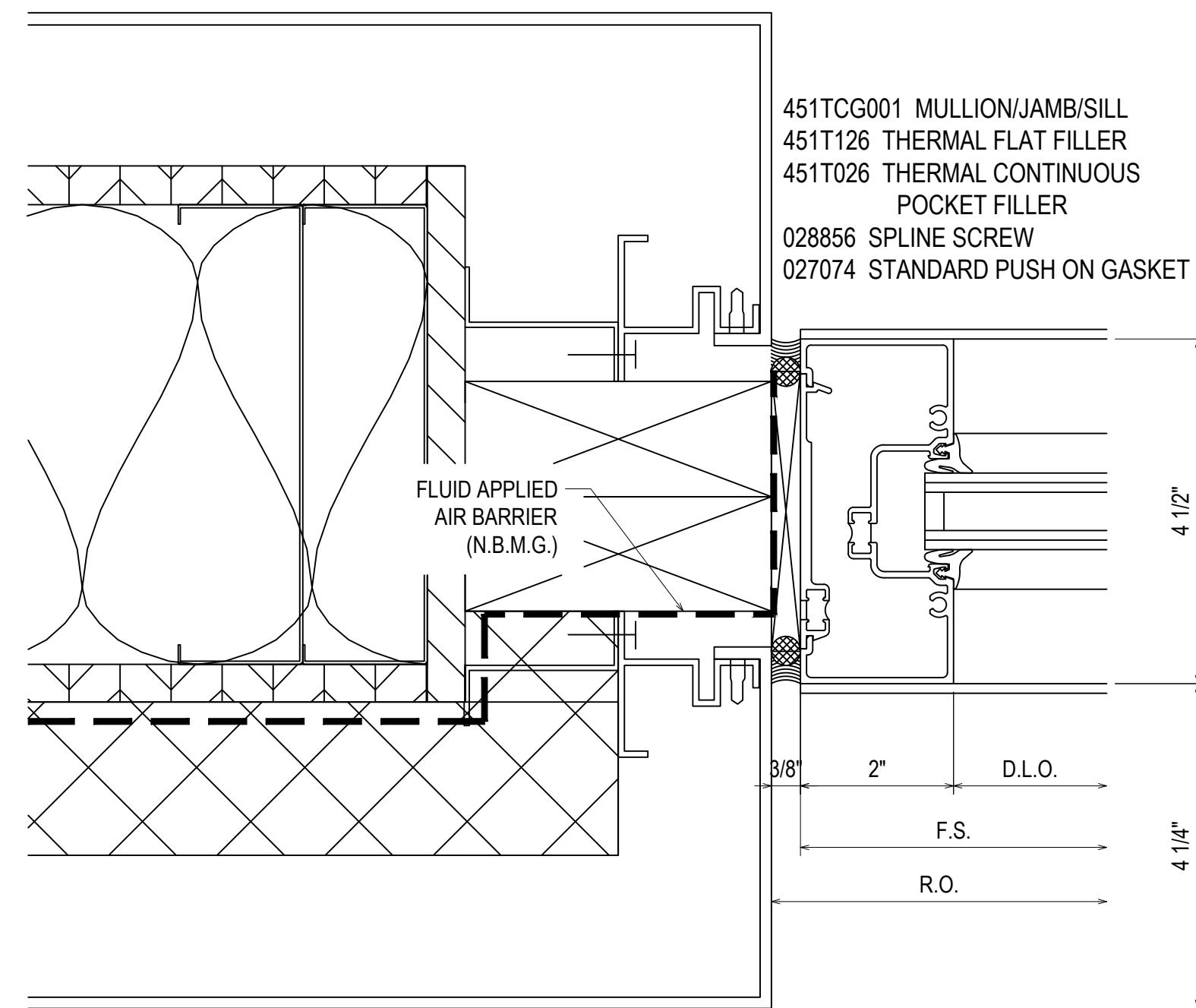
PROJECT: MCSD ELEMENTARY SCHOOL NO. 8	ERECTOR: MUSCOGEE GLASS 6922 JAMESSON WAY MIDLAND, GA 31820 (706)-569-9500
LOCATION: 180 NORTHSTAR DRIVE COLUMBUS, GA 31907	DATE: 8.1.22
DRAWN BY: DJ	CHECKED BY: CJ
DATE: 8.1.22	DATE: 8.1.22
1ST SUBMISSION	1ST REVISION
10.12.22	12.16.22
2ND REVISION	DESCRIPTION
NO	DRAWING SUBMISSION



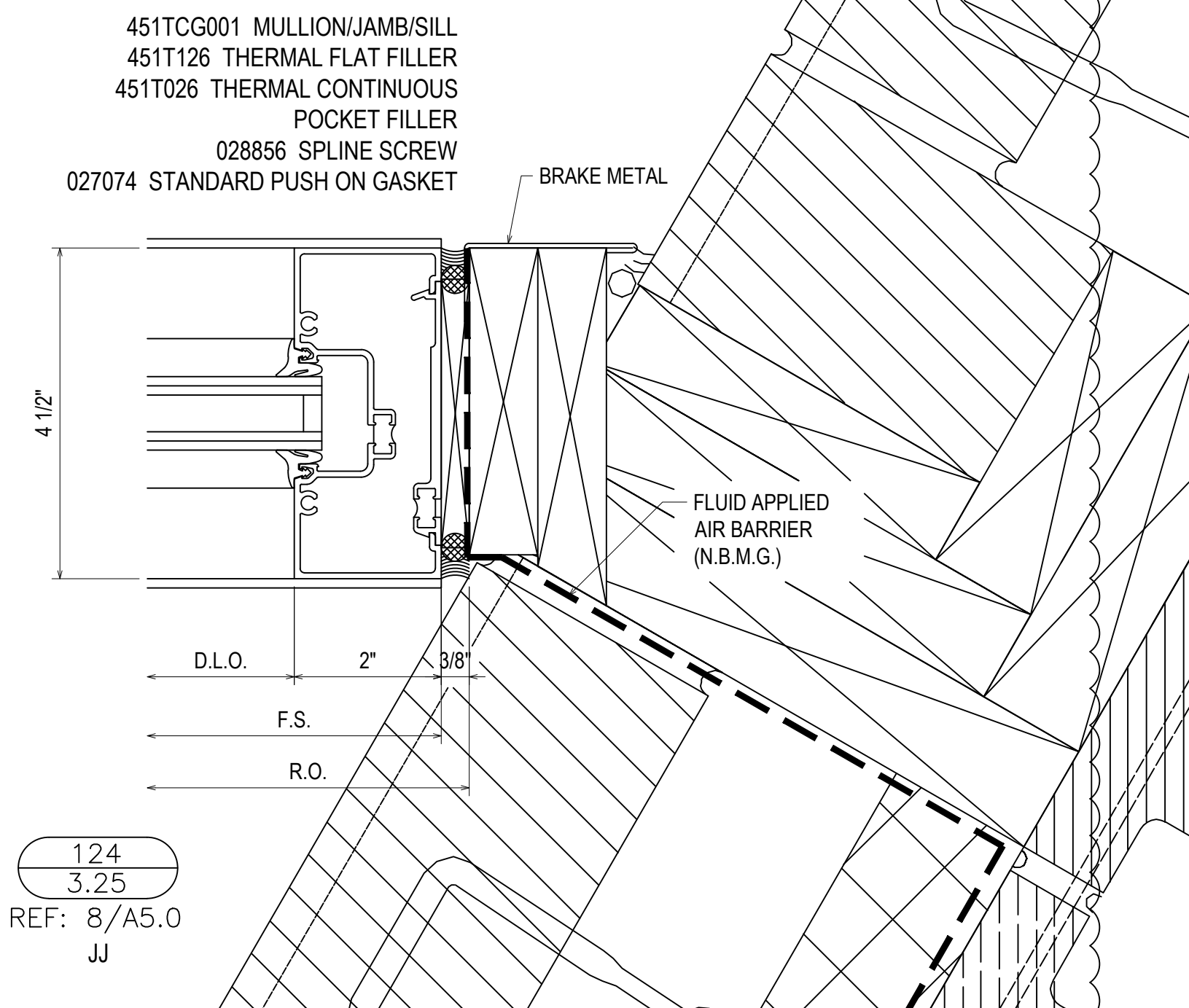
ERECTOR:	MUSCOGEE GLASS 6922 JAMESSON WAY MIDLAND, GA 31820 (706)-569-9500		
PROJECT:	MCSD ELEMENTARY SCHOOL NO. 8		
LOCATION:	180 NORTHSTAR DRIVE COLUMBUS, GA 31907		
1ST SUBMISSION	8.1.22	1ST REVISION	10.12.22
		2ND REVISION	12.16.22
NO		DESCRIPTION	DATE
		DRAWING SUBMISSION	



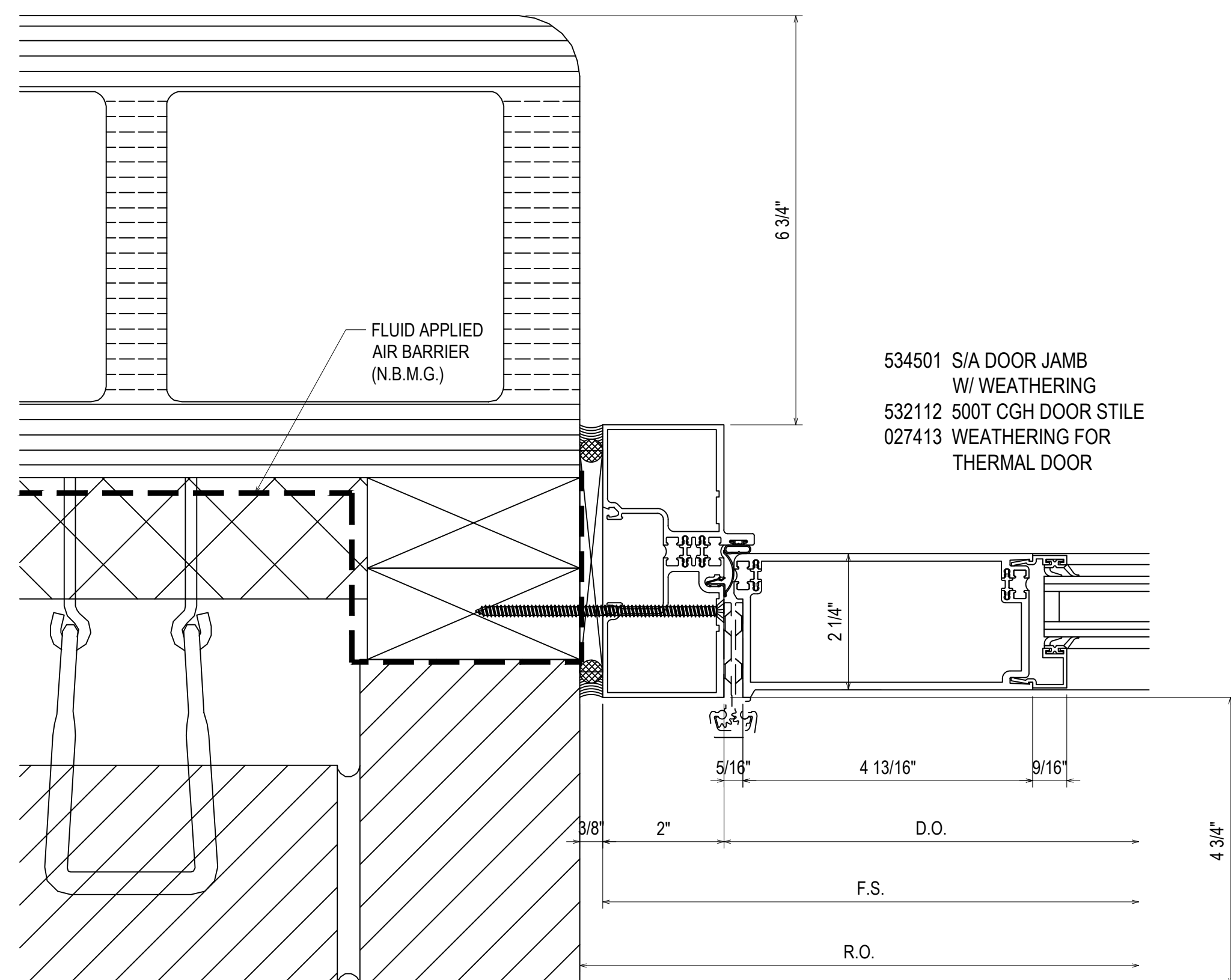
122
3.25
REF: 8/A5.0
HH



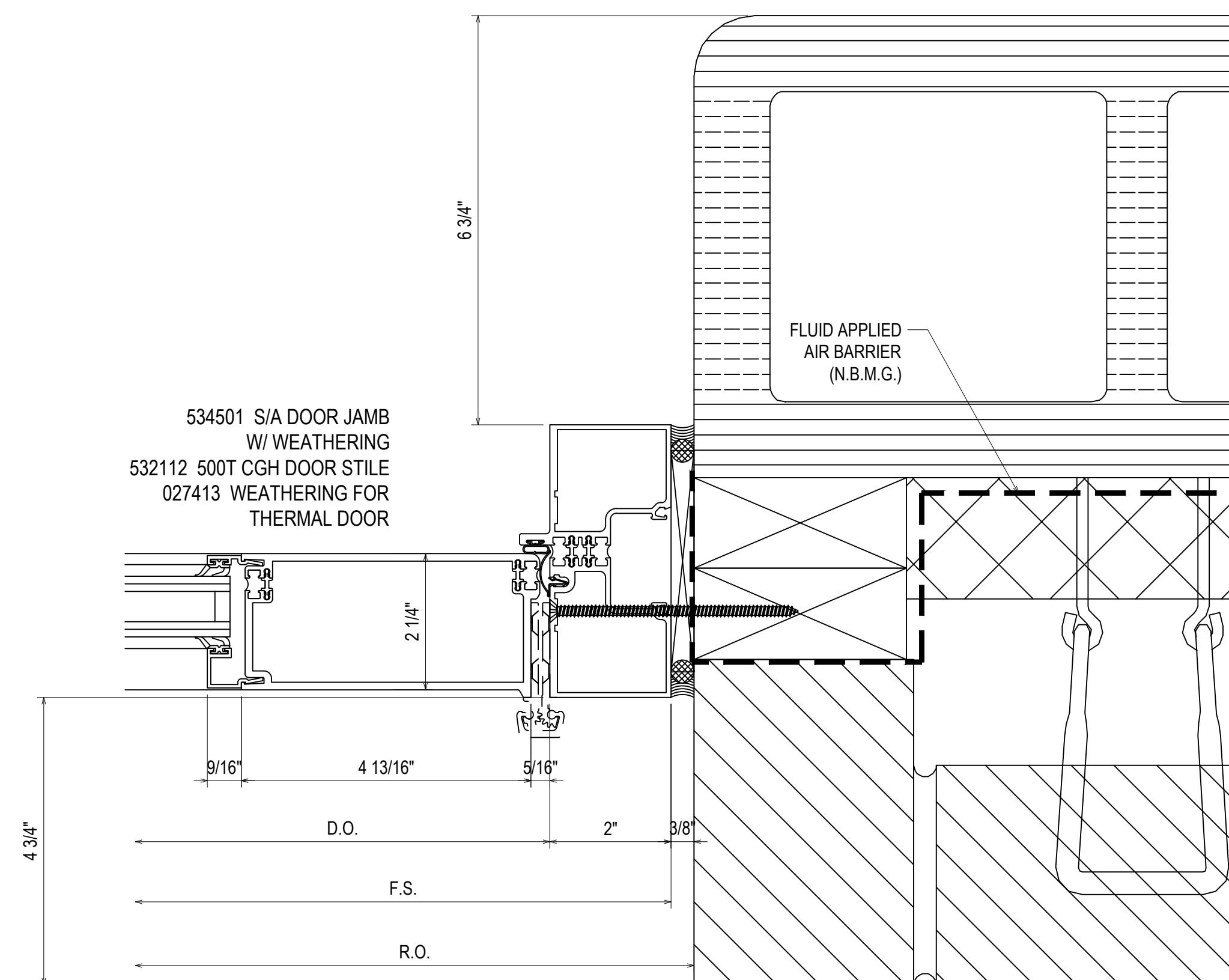
123
3.25
REF: 8/A5.0
JJ



124
3.25
REF: 8/A5.0
JJ



125
3.25
REF: 6/A2.1
GG-ZZ-2A-2B



126
3.25
REF: 6/A2.1
GG-2A-2B

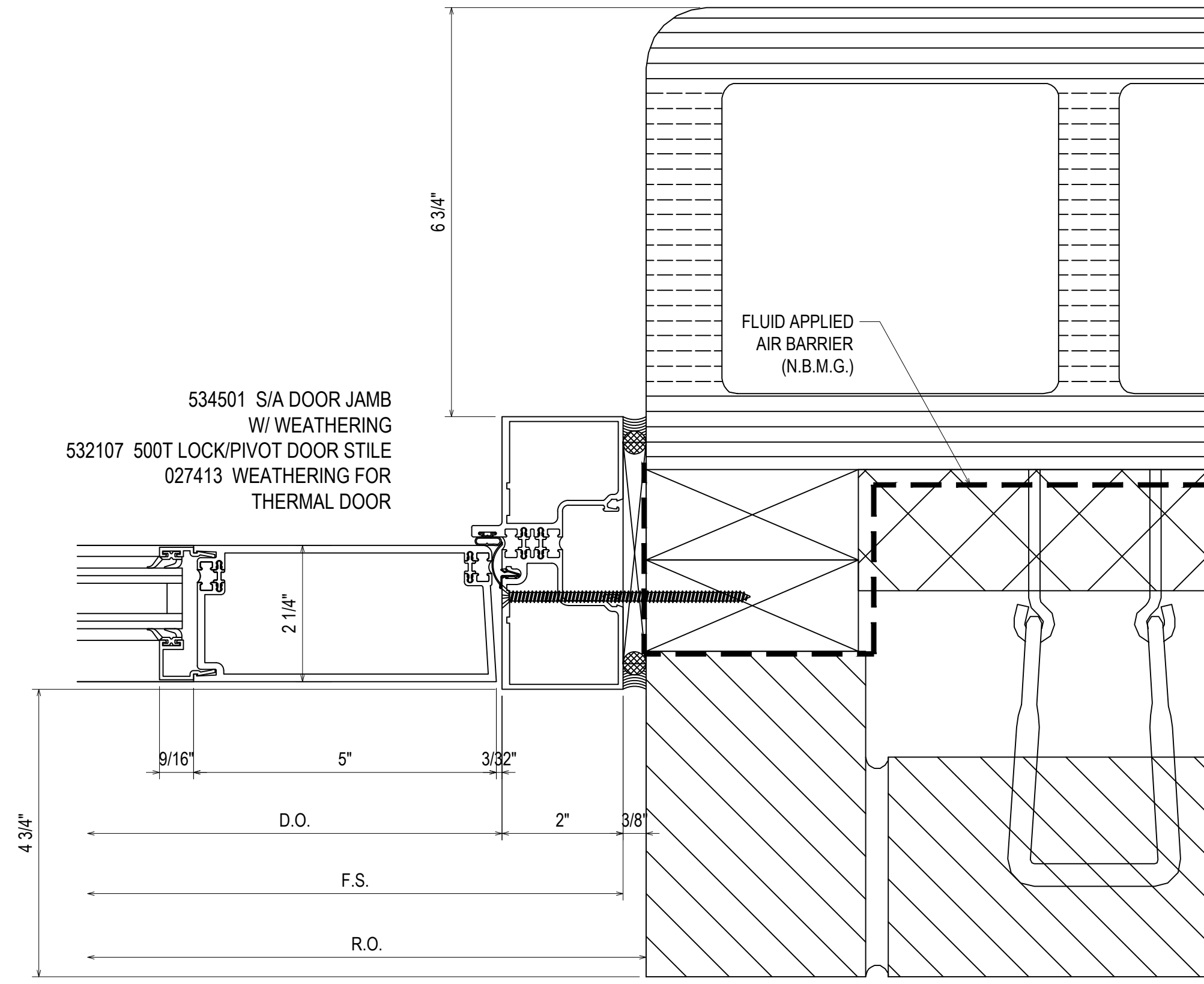
1ST SUBMISSION	8.1.22
1ST REVISION	10.12.22
2ND REVISION	12.16.22
NO	NO
DESCRIPTION	DATE
DRAWING SUBMISSION	

ERECTOR:
MUSCOGEE GLASS
6922 JAMESSON WAY
MIDLAND, GA 31820
(706)-569-9500

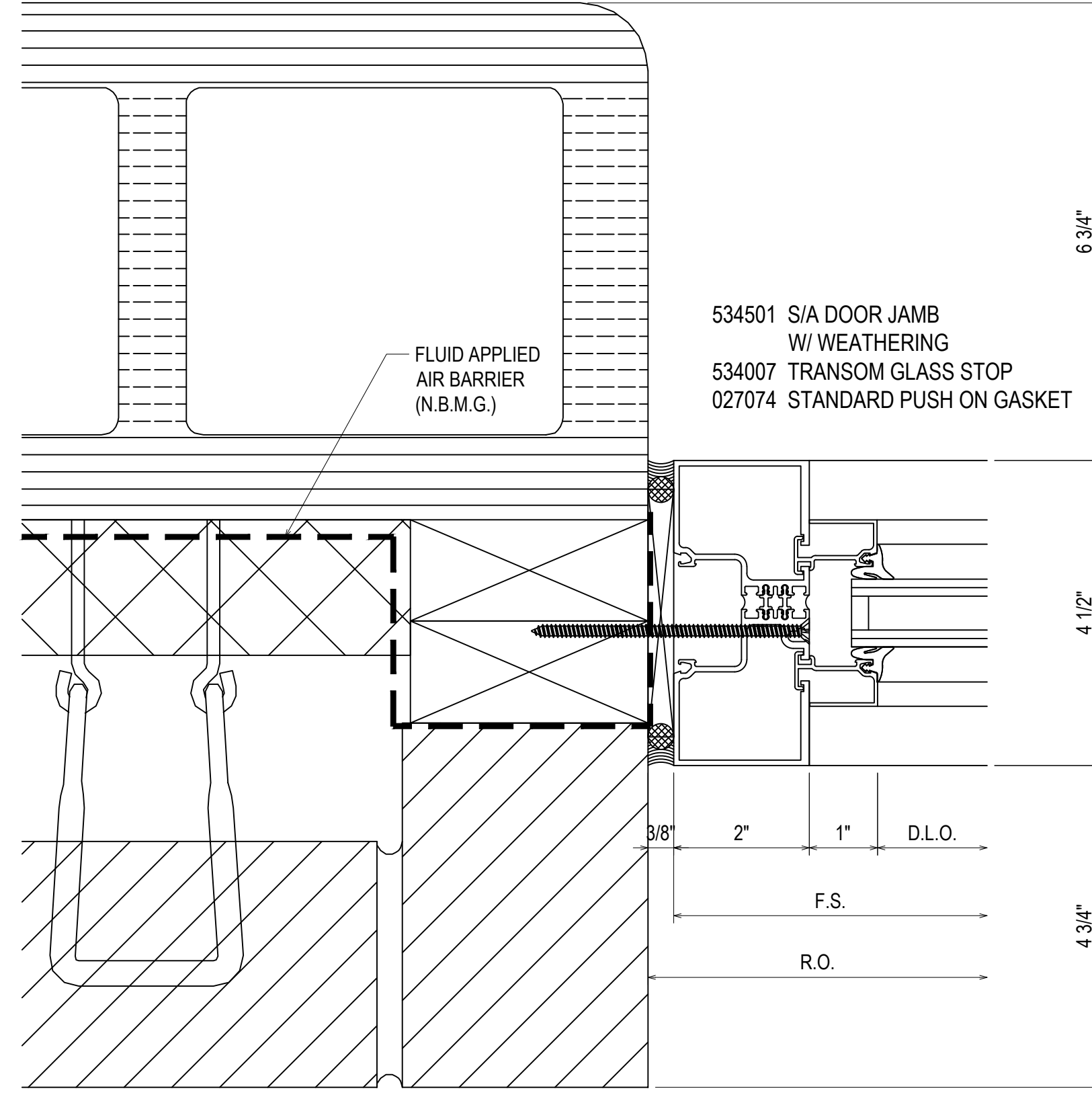
PROJECT: MCSD ELEMENTARY SCHOOL NO. 8

LOCATION: 180 NORTHSTAR DRIVE
COLUMBUS, GA 31907

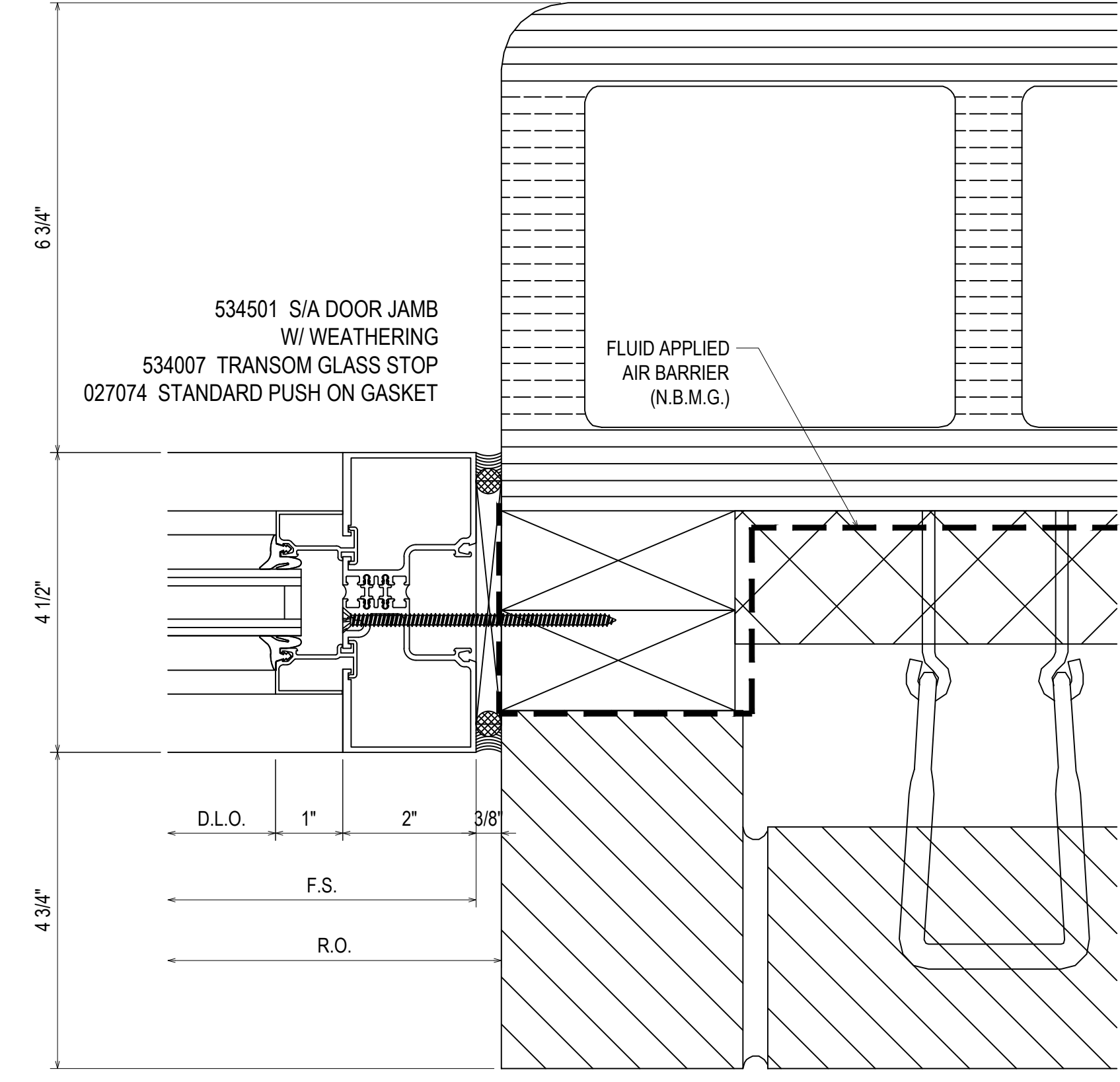
DRAWN BY:	DATE:
DJ	8.1.22
CHECKED BY:	DATE:
CJ	8.1.22



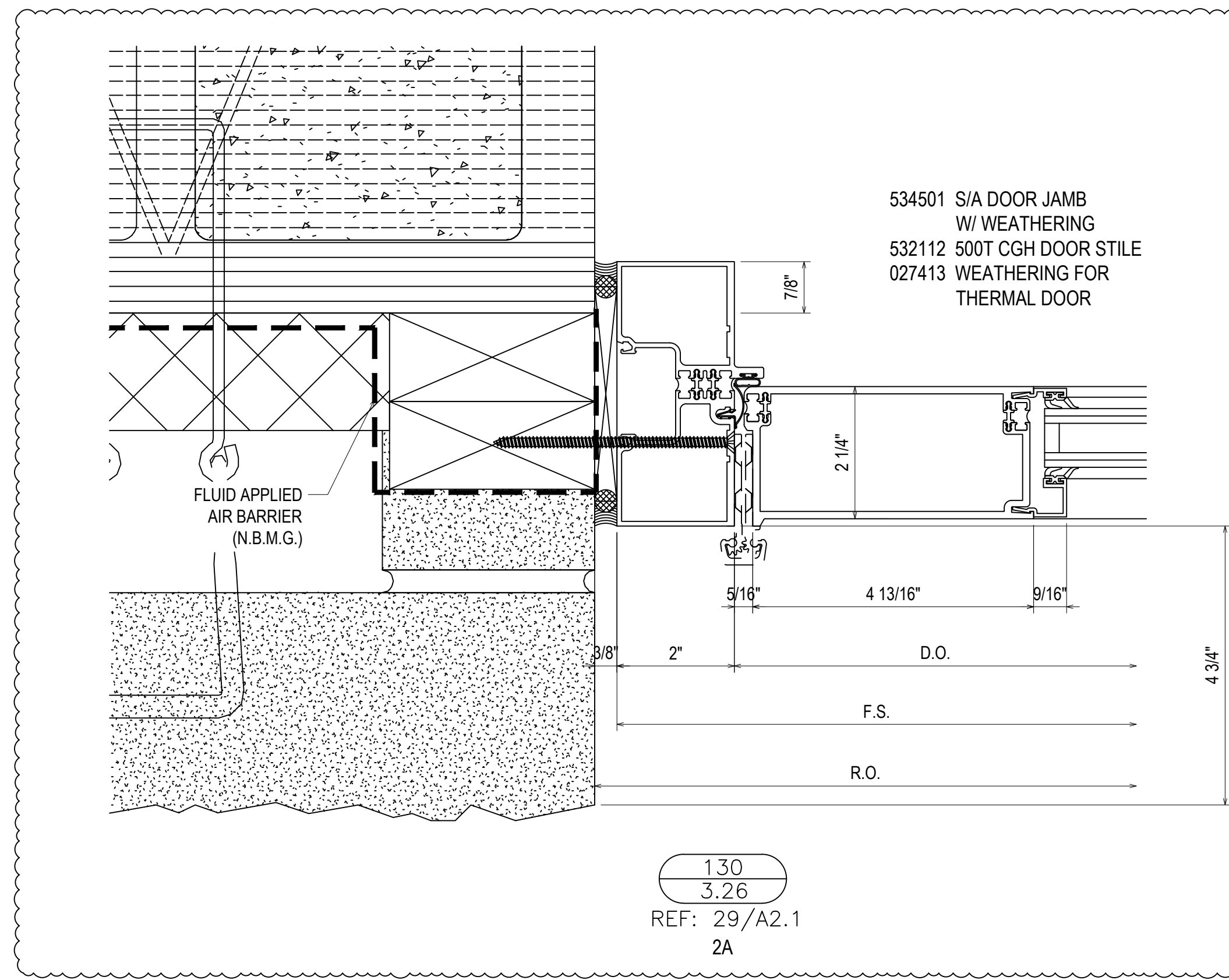
127
3.26
REF: 6/A2.1
ZZ



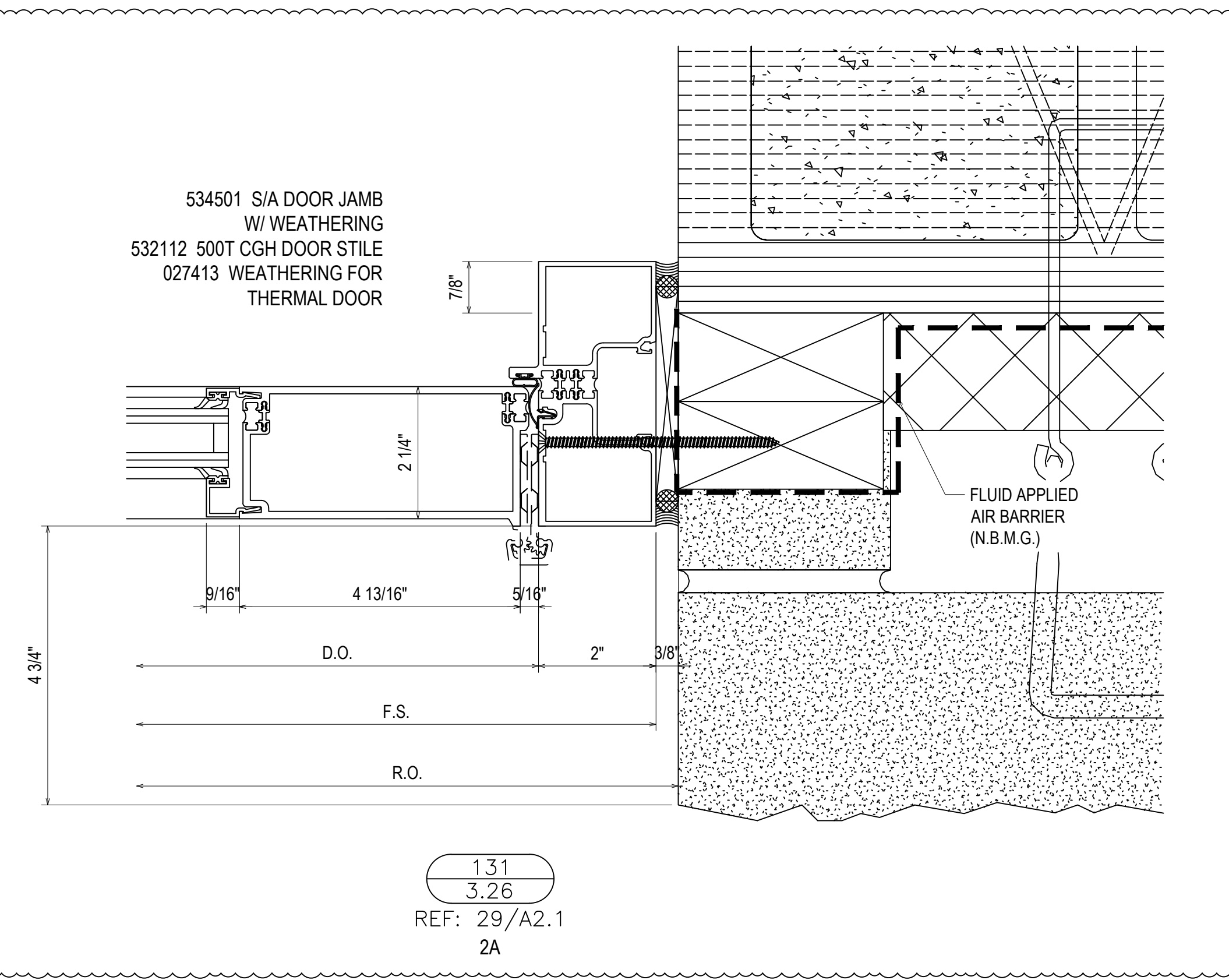
128
3.26
REF: 6/A2.1
GG



129
3.26
REF: 6/A2.1
GG



130
3.26
REF: 29/A2.1
2A



131
3.26
REF: 29/A2.1
2A

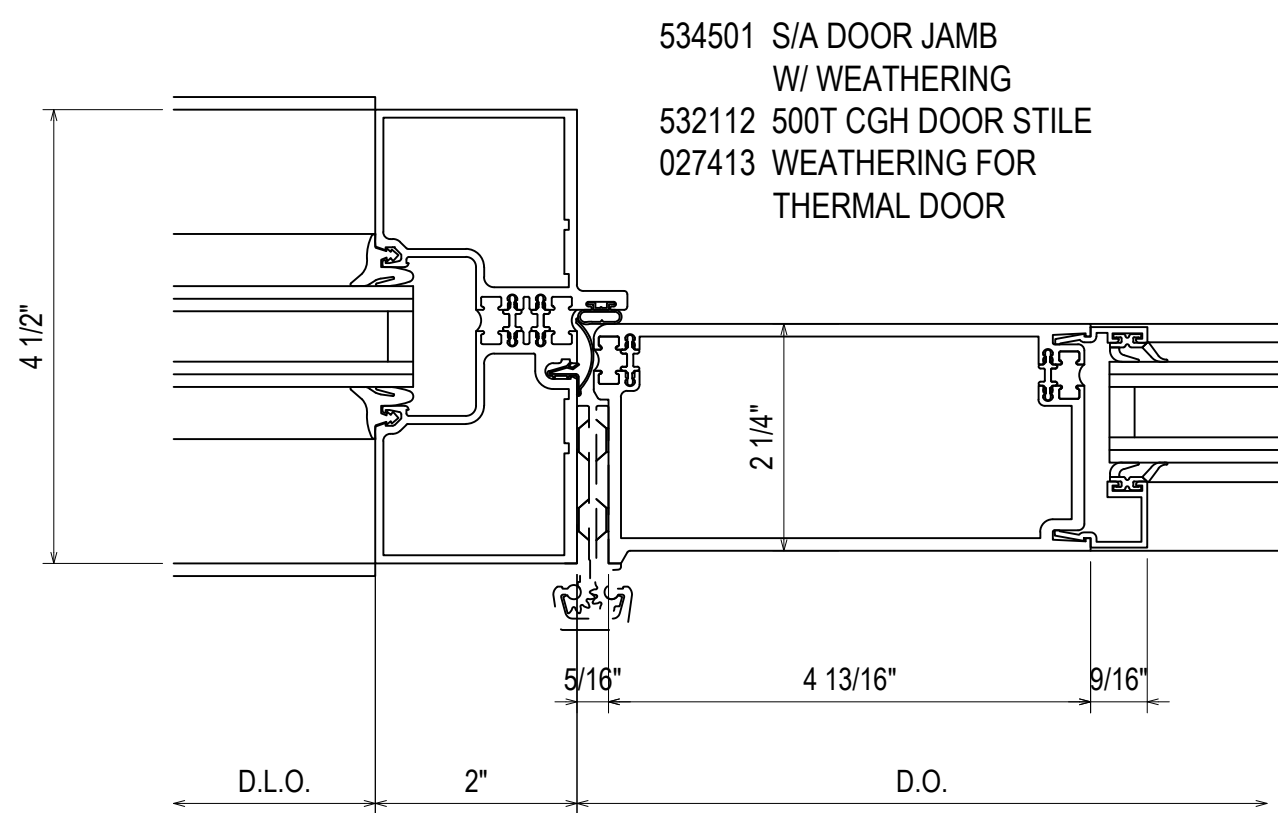
8.1.22	1ST SUBMISSION
10.12.22	1ST REVISION
12.16.22	2ND REVISION
NO	DESCRIPTION
	DRAWING SUBMISSION

ERECTOR:
MUSCOGEE GLASS
6922 JAMESSON WAY
MIDLAND, GA 31820
(706)-569-9500

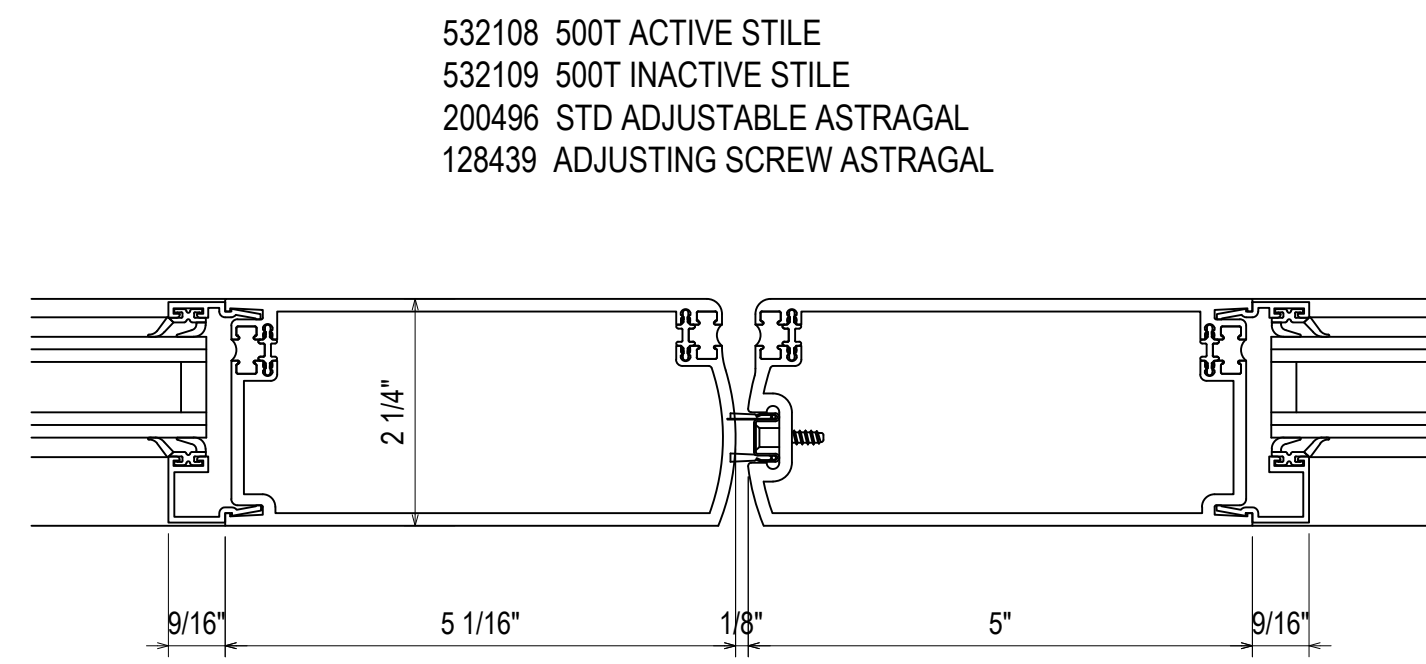
PROJECT: MCSD ELEMENTARY SCHOOL NO. 8

LOCATION: 180 NORTHSTAR DRIVE
COLUMBUS, GA 31907

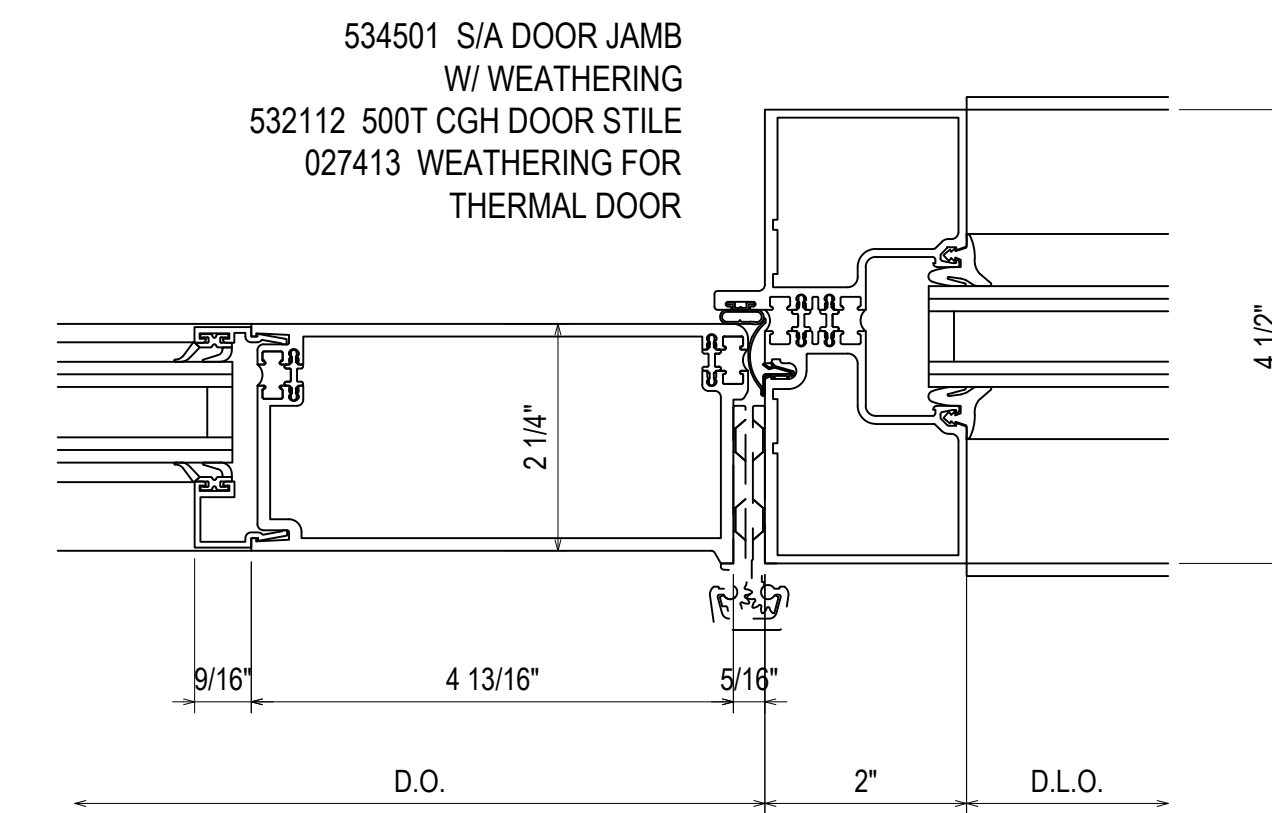
DRAWN BY: DJ	DATE: 8.1.22
CHECKED BY: CJ	DATE: 8.1.22



132
3.27
REF: N/A
AA - BB - HH

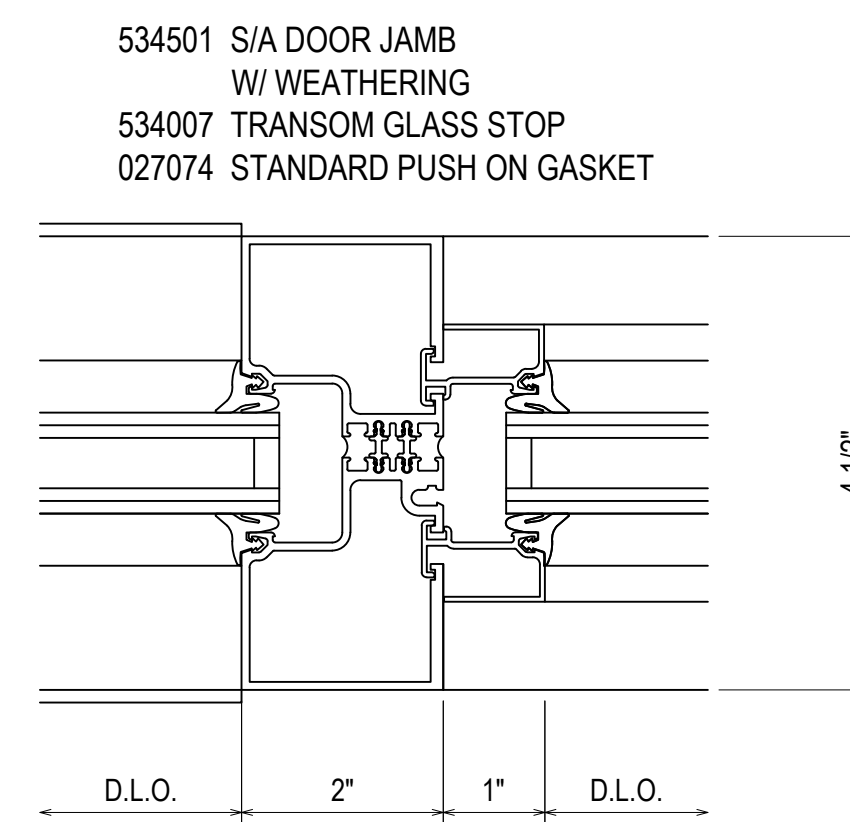


133
3.27
REF: N/A
AA - BB - HH - GG
2B

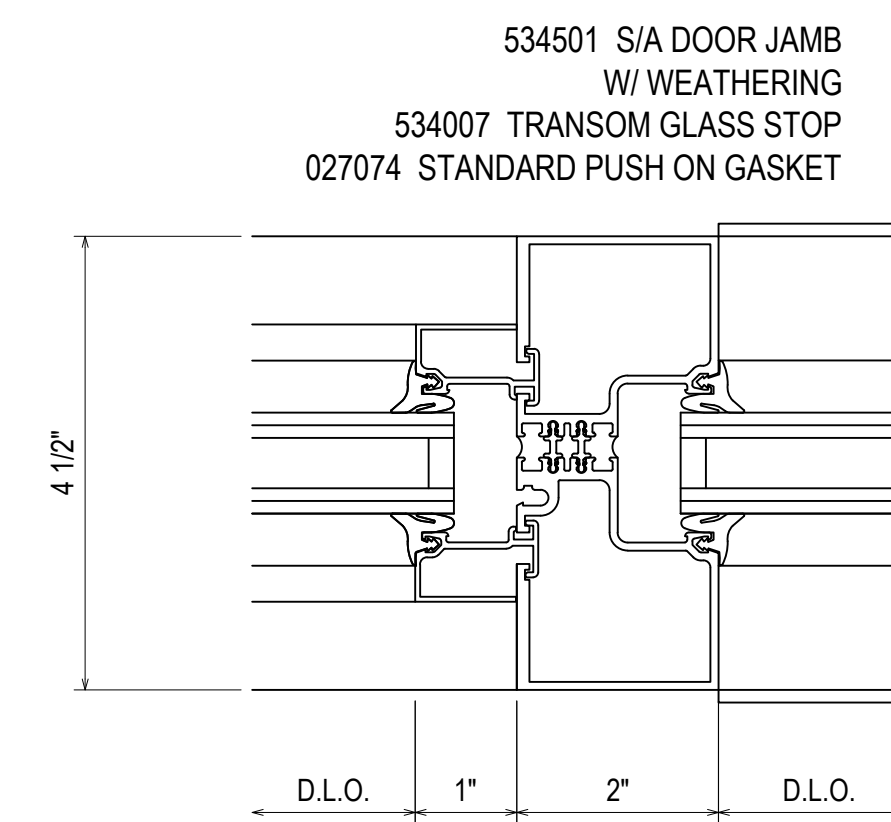


134
3.27
REF: N/A
AA - BB - HH

DETAIL 133A HAS BEEN DELETED FROM PROJECT



135
3.27
REF: N/A
AA - BB - HH



136
3.27
REF: N/A
AA - BB - HH

1ST SUBMISSION	8.1.22
1ST REVISION	10.12.22
2ND REVISION	12.16.22
NO	DATE
DESCRIPTION	
DRAWING SUBMISSION	

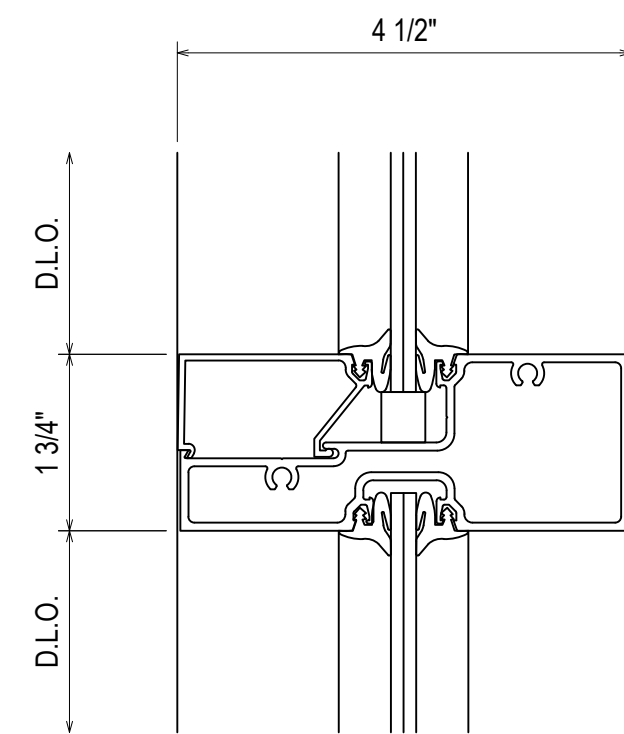
ERECTOR:
MUSCOGEE GLASS
6922 JAMESSON WAY
MIDLAND, GA 31820
(706)-569-9500

PROJECT: MCSD ELEMENTARY SCHOOL NO. 8

LOCATION: 180 NORTHSTAR DRIVE
COLUMBUS, GA 31907

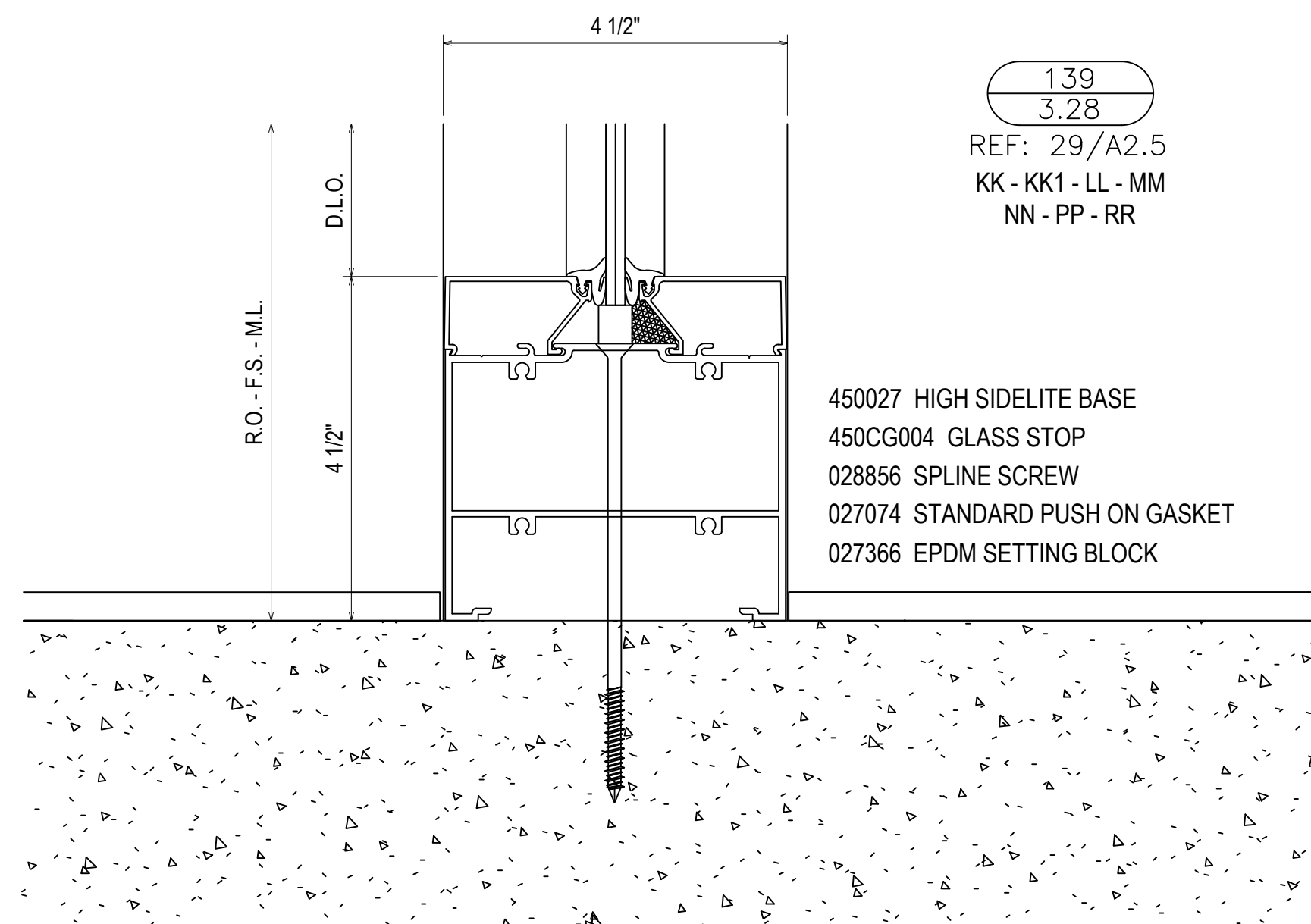
DRAWN BY:	DATE:
DJ	8.1.22
CHECKED BY:	DATE:
CJ	8.1.22

DETAIL137 HAS BEEN DELETED FROM PROJECT



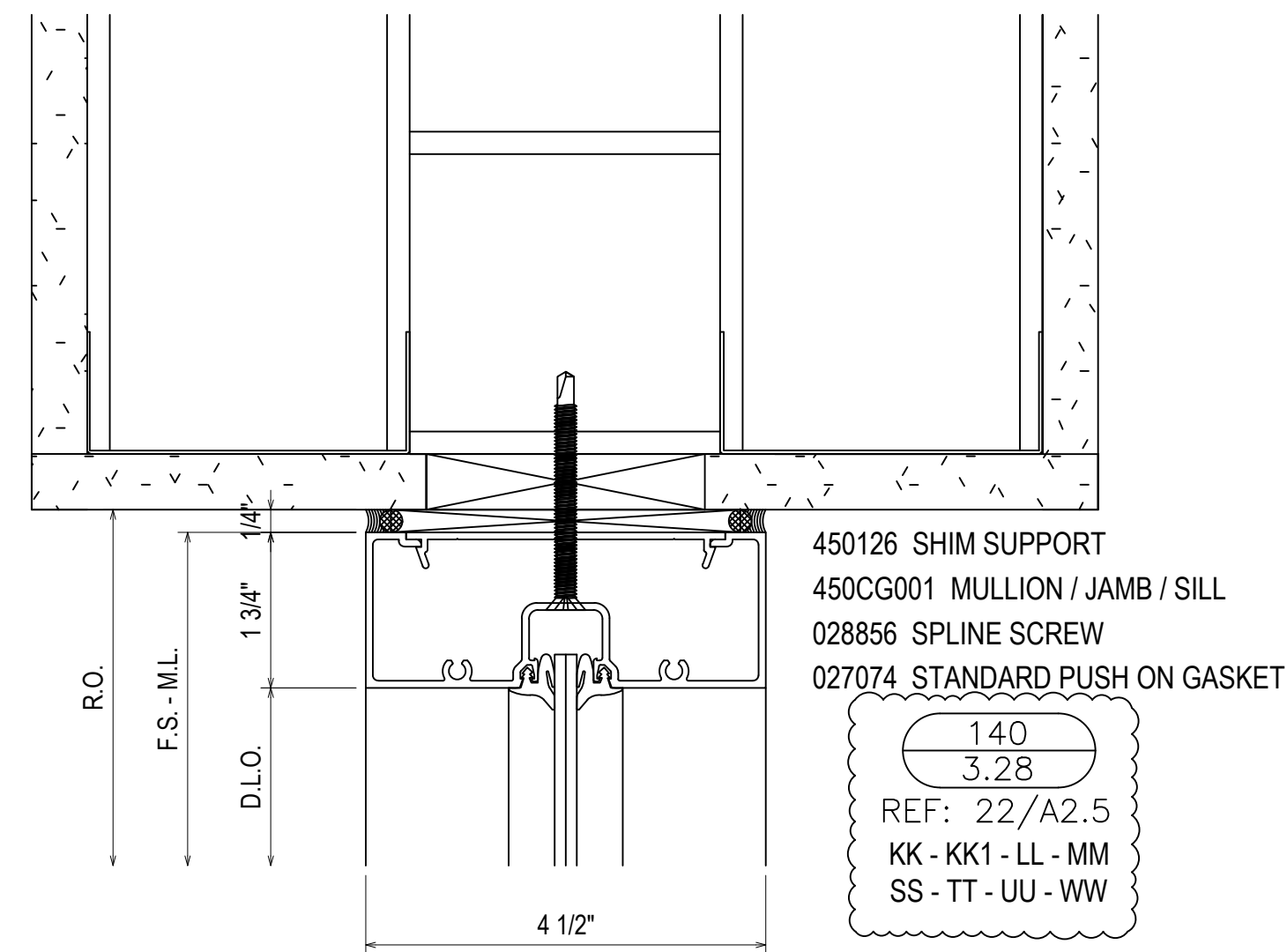
138
3.28
REF: N/A
TYPICAL HORIZONTAL

- 450CG004 GLASS STOP
- 450CG011 TUBE HORIZONTAL
- 028856 SPLINE SCREW
- 027074 STANDARD PUSH ON GASKET
- 027366 EPDM SETTING BLOCK



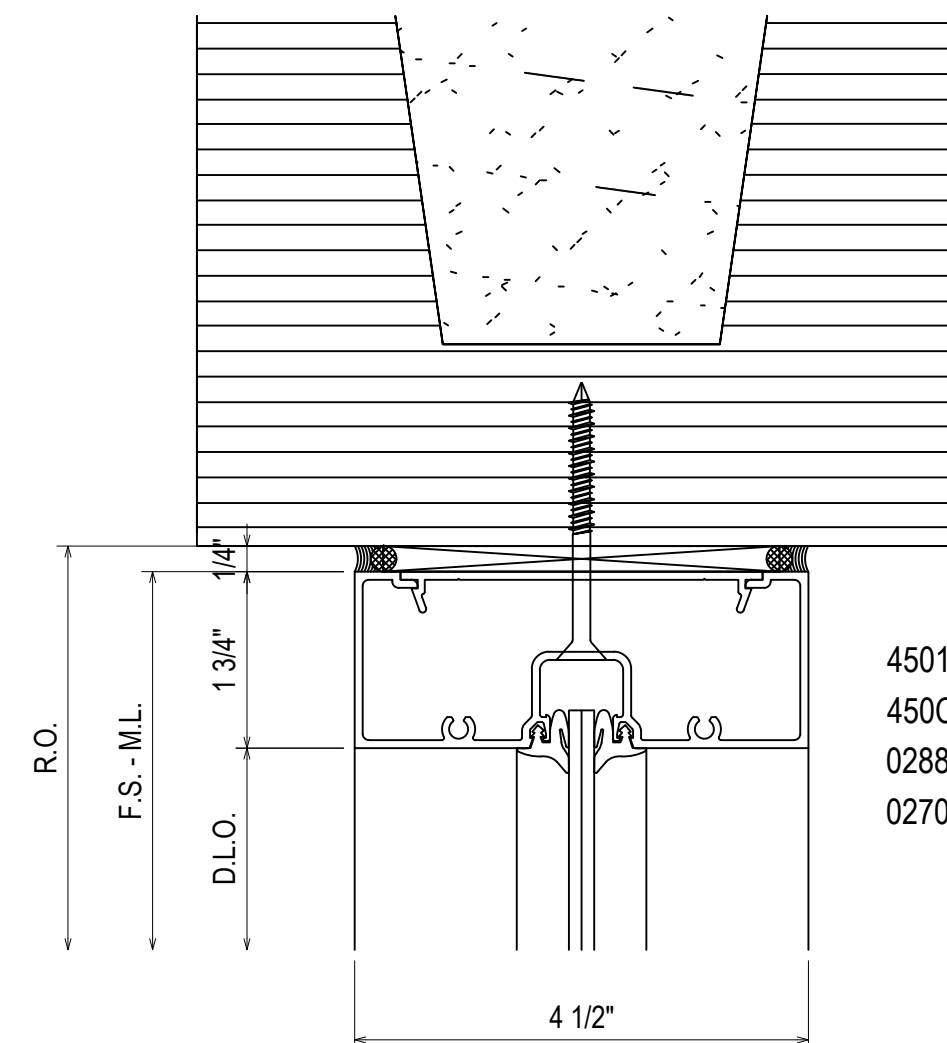
139
3.28
REF: 29/A2.5
KK - KK1 - LL - MM
NN - PP - RR

- 450027 HIGH SIDELITE BASE
- 450CG004 GLASS STOP
- 028856 SPLINE SCREW
- 027074 STANDARD PUSH ON GASKET
- 027366 EPDM SETTING BLOCK



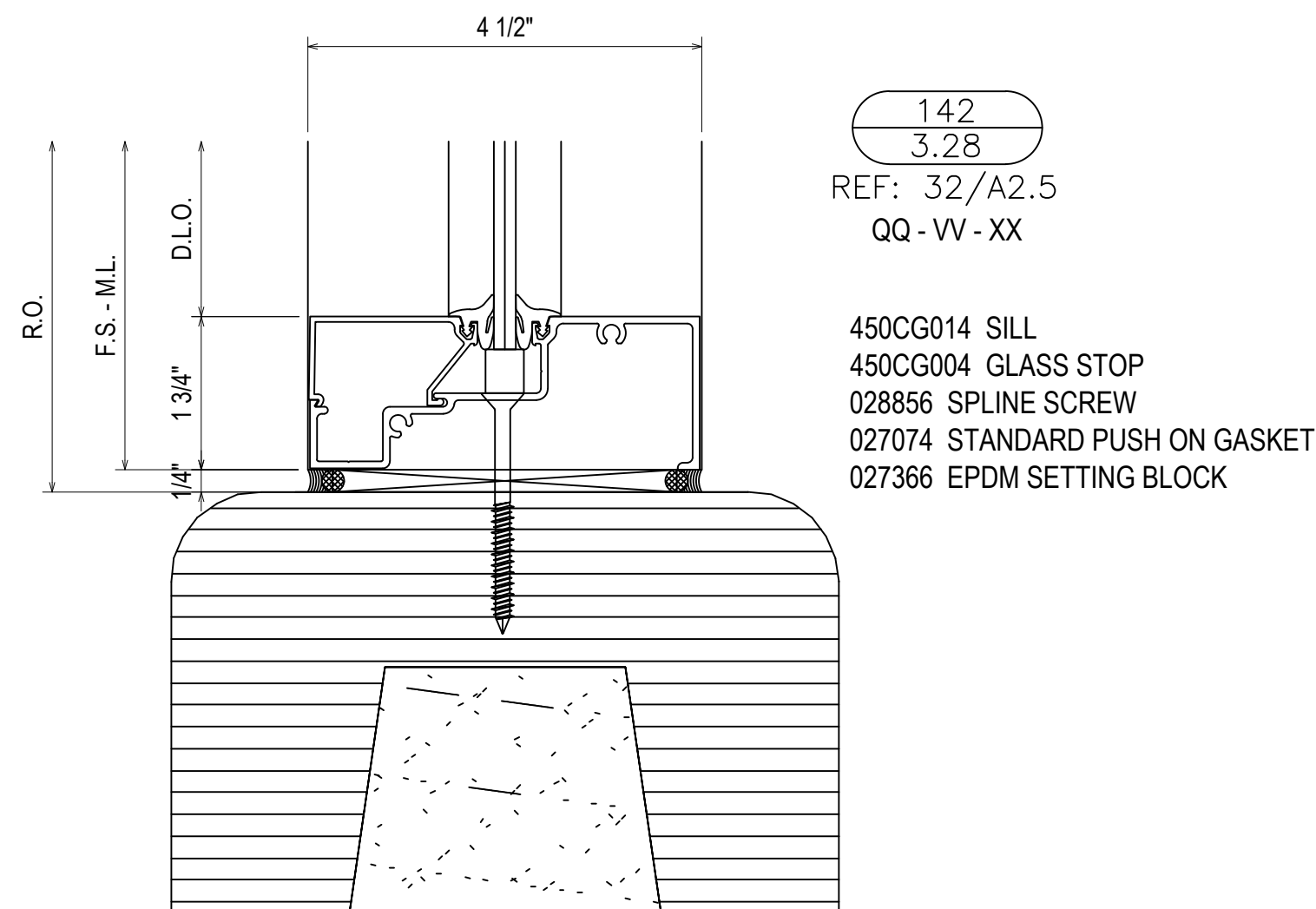
- 450126 SHIM SUPPORT
- 450CG001 MULLION / JAMB / SILL
- 028856 SPLINE SCREW
- 027074 STANDARD PUSH ON GASKET

140
3.28
REF: 22/A2.5
KK - KK1 - LL - MM
SS - TT - UU - WW



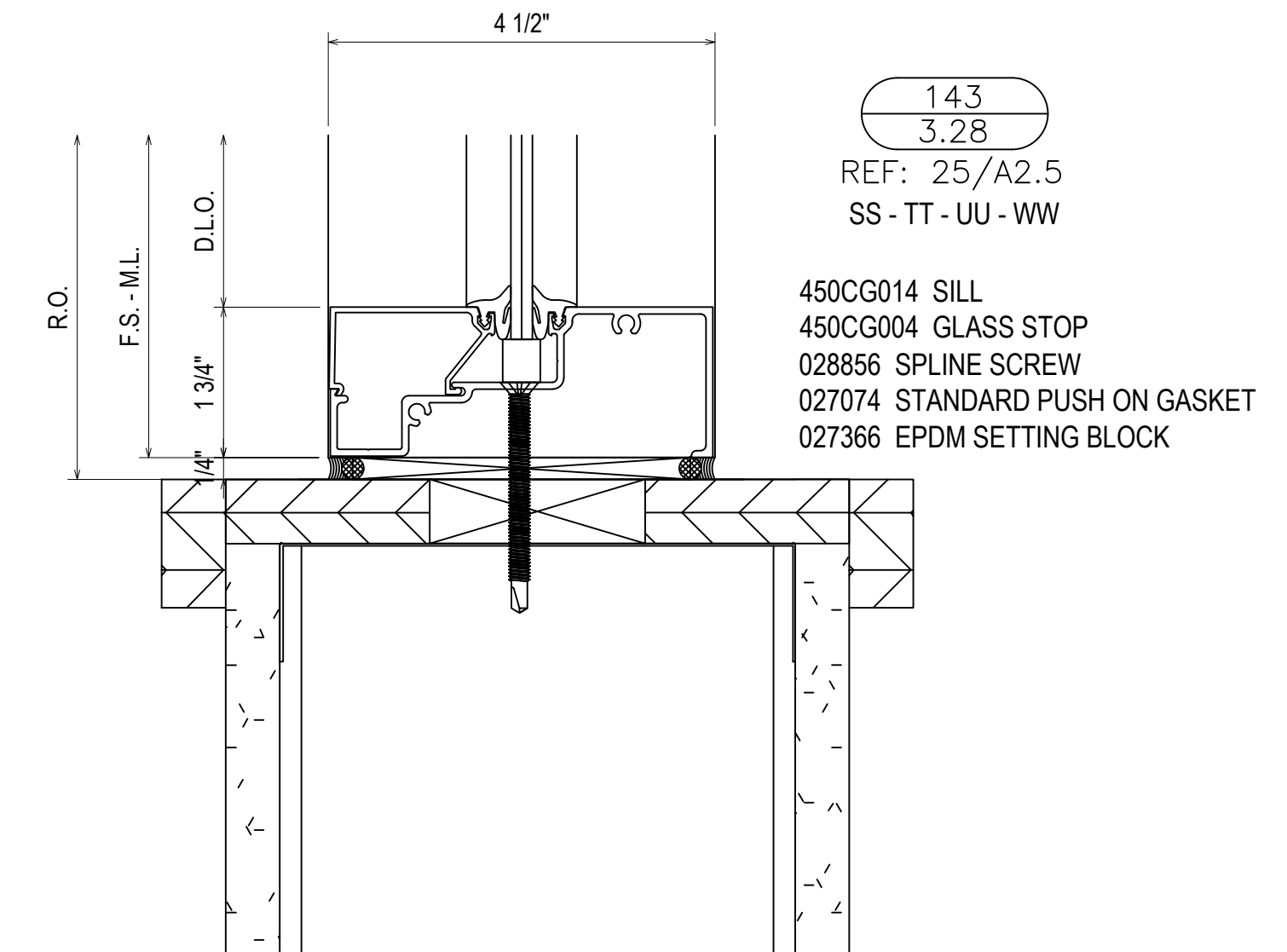
- 450126 SHIM SUPPORT
- 450CG001 MULLION / JAMB / SILL
- 028856 SPLINE SCREW
- 027074 STANDARD PUSH ON GASKET

141
3.28
REF: 30/A2.5
NN - PP - QQ - RR
VV - XX



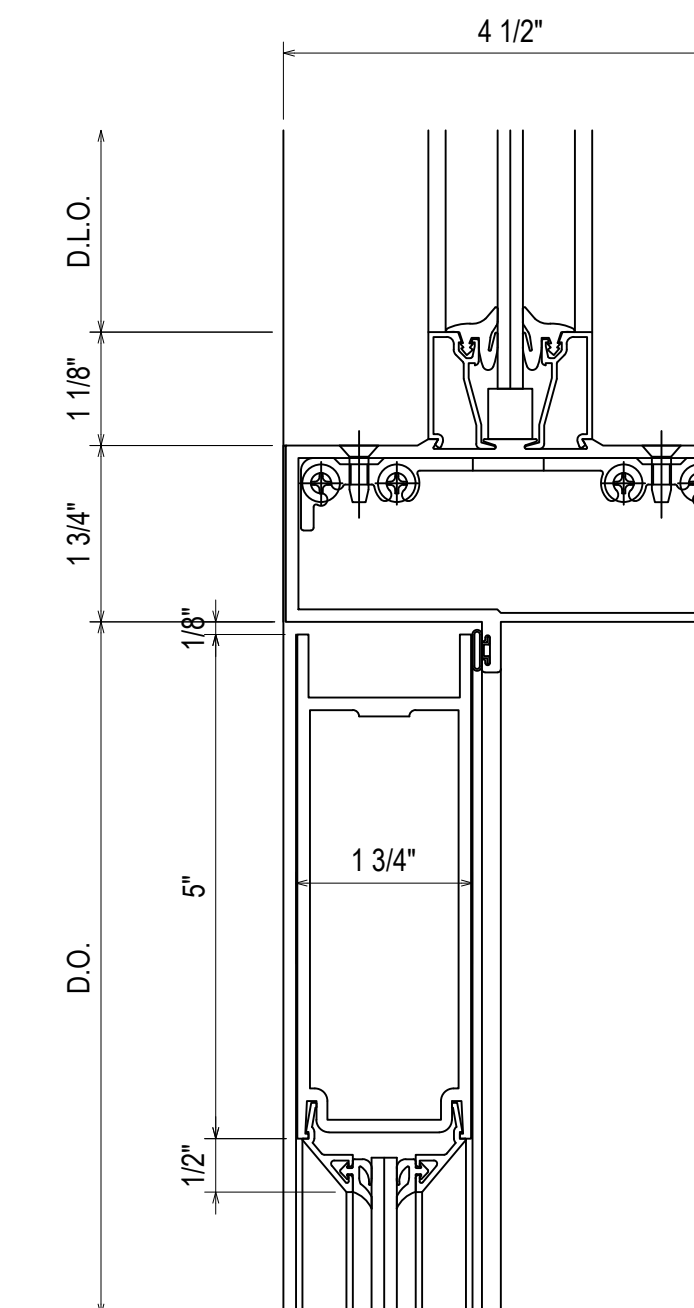
142
3.28
REF: 32/A2.5
QQ - VV - XX

- 450CG014 SILL
- 450CG004 GLASS STOP
- 028856 SPLINE SCREW
- 027074 STANDARD PUSH ON GASKET
- 027366 EPDM SETTING BLOCK



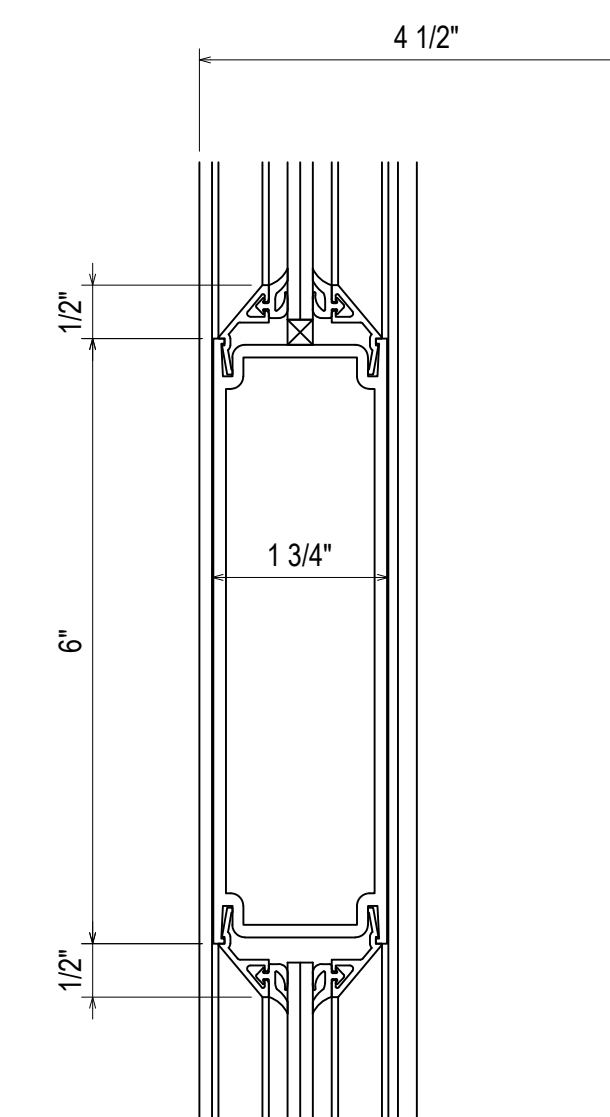
143
3.28
REF: 25/A2.5
SS - TT - UU - WW

- 450CG014 SILL
- 450CG004 GLASS STOP
- 028856 SPLINE SCREW
- 027074 STANDARD PUSH ON GASKET
- 027366 EPDM SETTING BLOCK



- 450502 S/A HEADER/T-BAR W/ WEATHERING
- 027074 STANDARD PUSH ON GASKET
- 027366 EPDM SETTING BLOCK
- 450506 S/A T-BAR/HEADER CLIP PACKAGE
- 450022 T-BAR GLASS STOP
- 200025 STANDARD 500 TOP DOOR RAIL
- 138214 STANDARD DOOR STOP

144
3.28
REF: N/A
KK - LL - MM - NN
RR - TT



145
3.28
REF: N/A
KK - LL - MM - NN
RR - TT

- 200053 6" CROSS RAIL
- 138214 STANDARD DOOR STOP

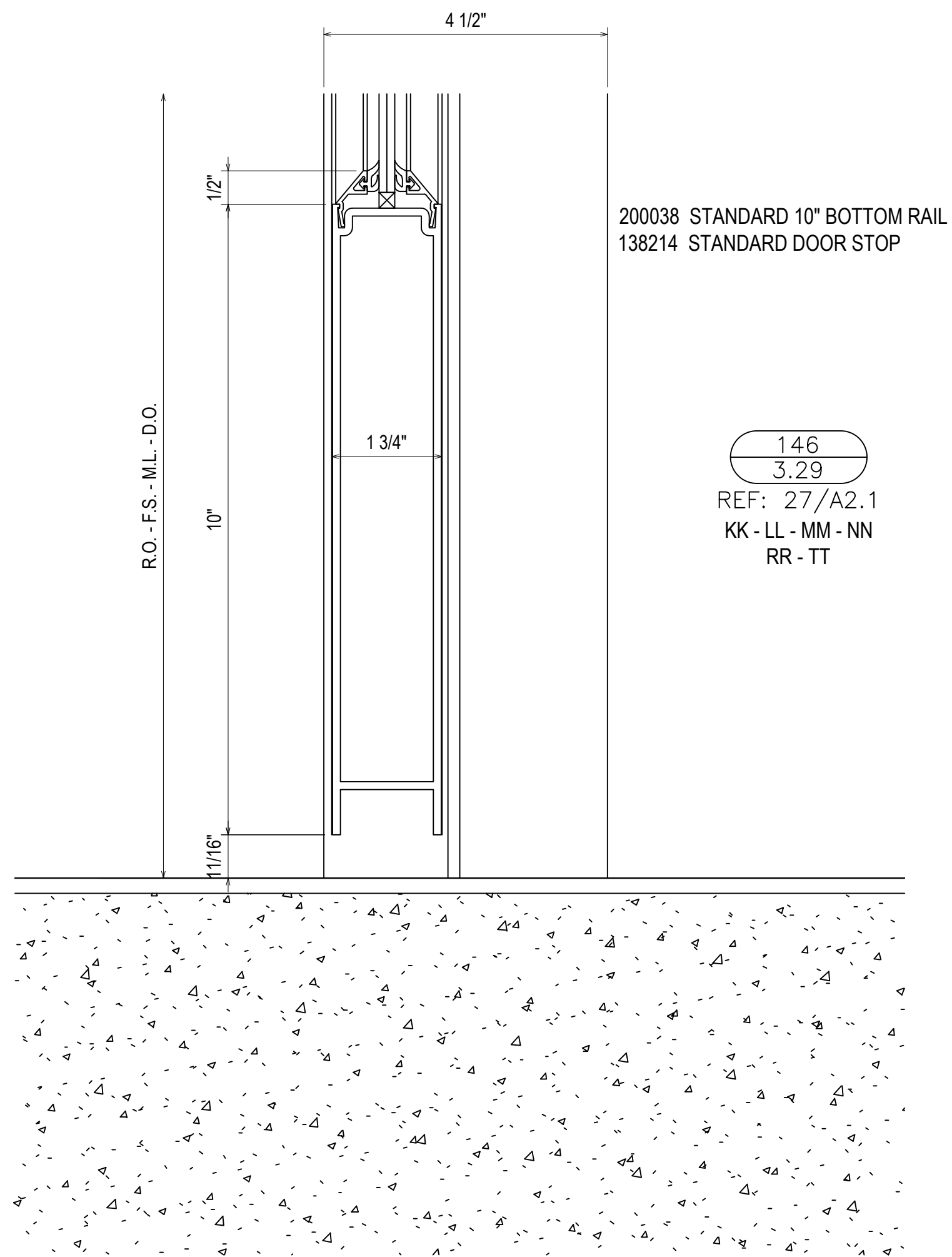
1ST SUBMISSION	8.1.22
1ST REVISION	10.12.22
2ND REVISION	12.16.22
NO	DATE
DRAWING SUBMISSION	

ERECTOR:
MUSCOGEE GLASS
6922 JAMESSON WAY
MIDLAND, GA 31820
(706)-569-9500

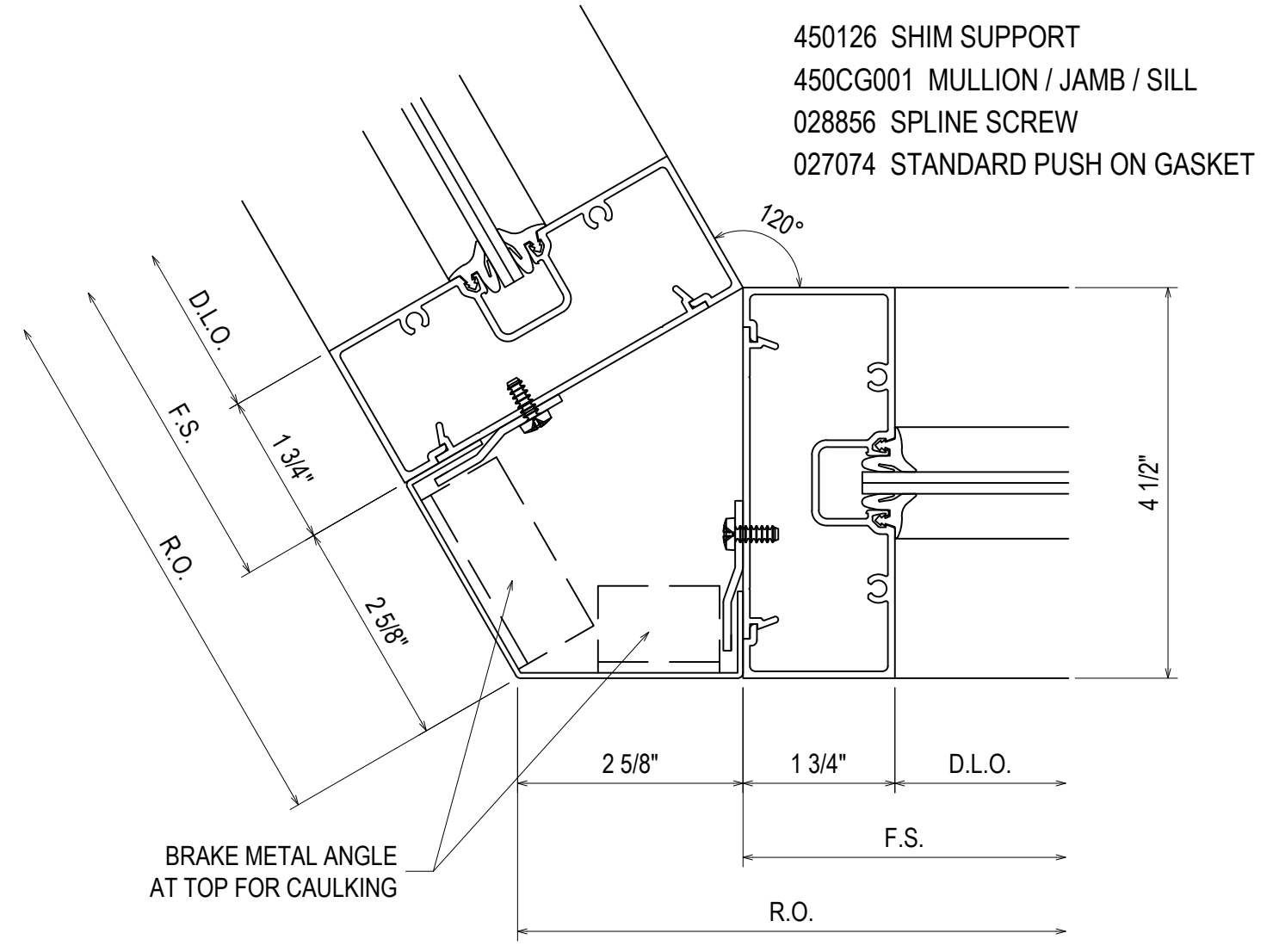
PROJECT: MCSD ELEMENTARY SCHOOL NO. 8

LOCATION: 180 NORTHSTAR DRIVE
COLUMBUS, GA 31907

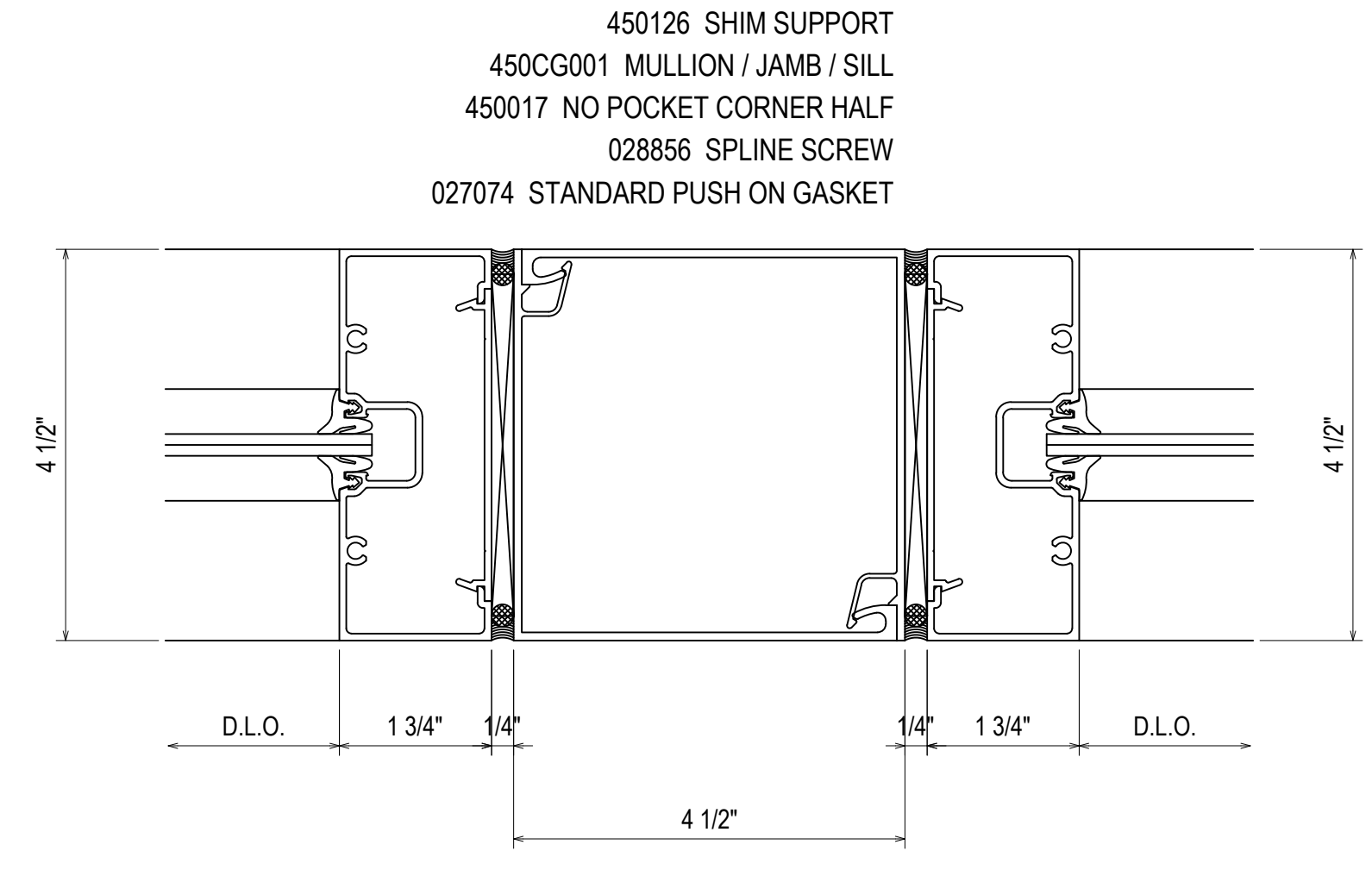
DRAWN BY:	DATE:
DJ	8.1.22
CHECKED BY:	DATE:
CJ	8.1.22



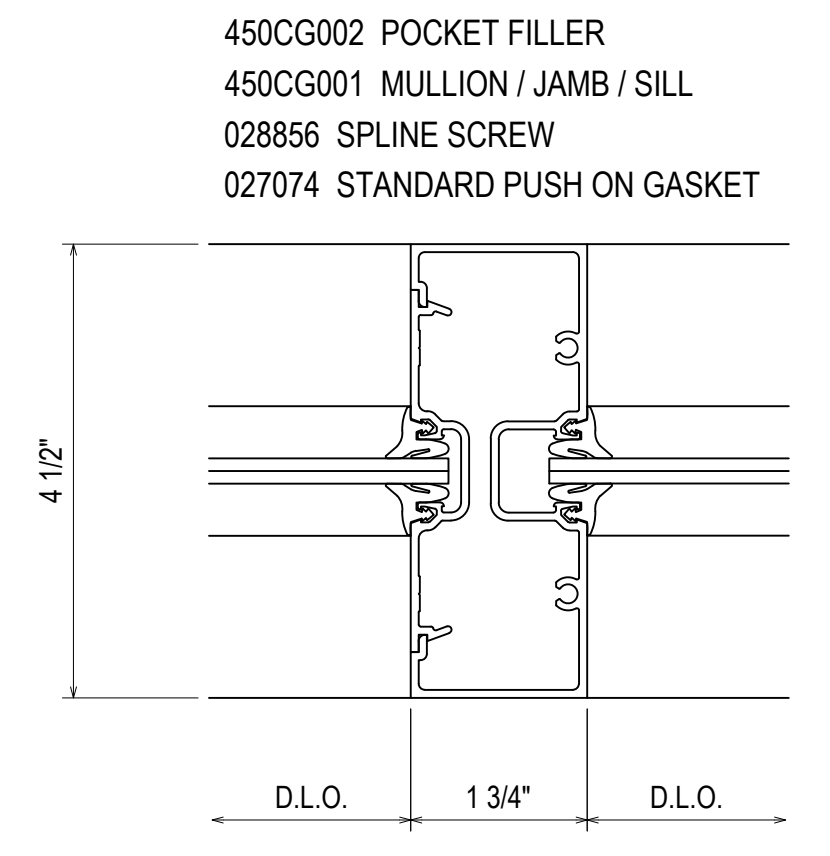
146
3.29
REF: 27/A2.1
KK - LL - MM - NN
RR - TT



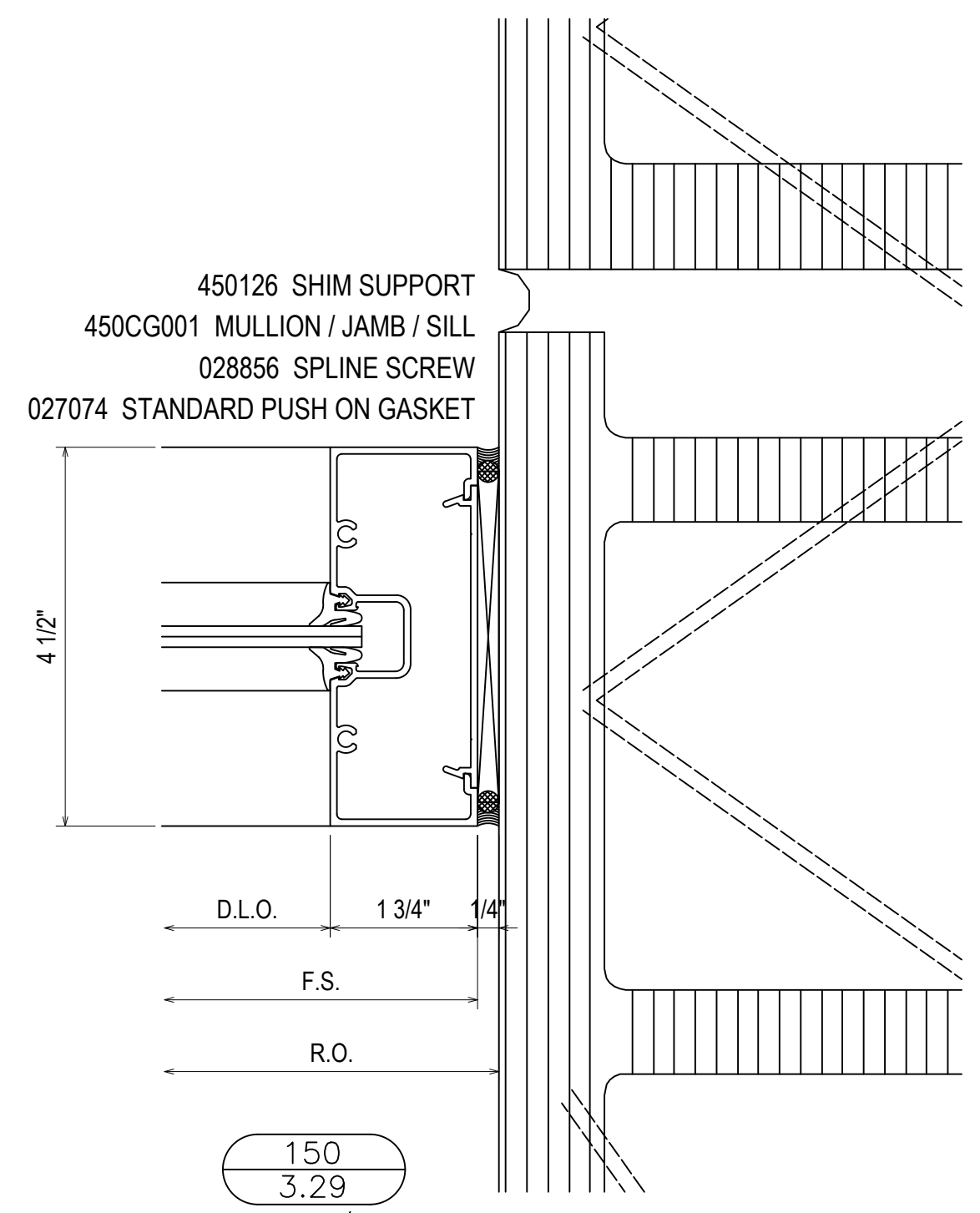
147
3.29
REF: N/A
KK - KK1



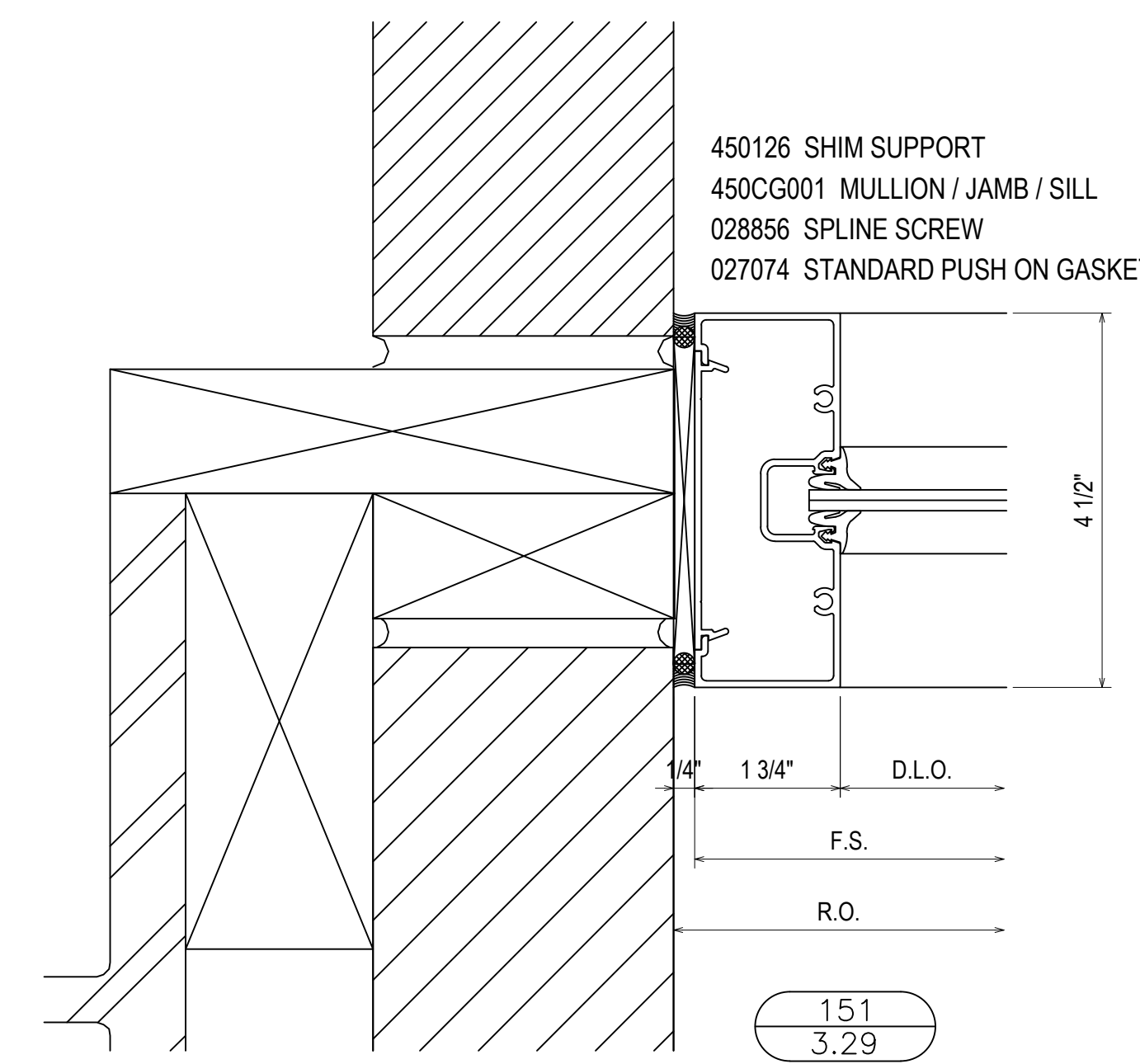
148
3.29
REF: N/A
KK



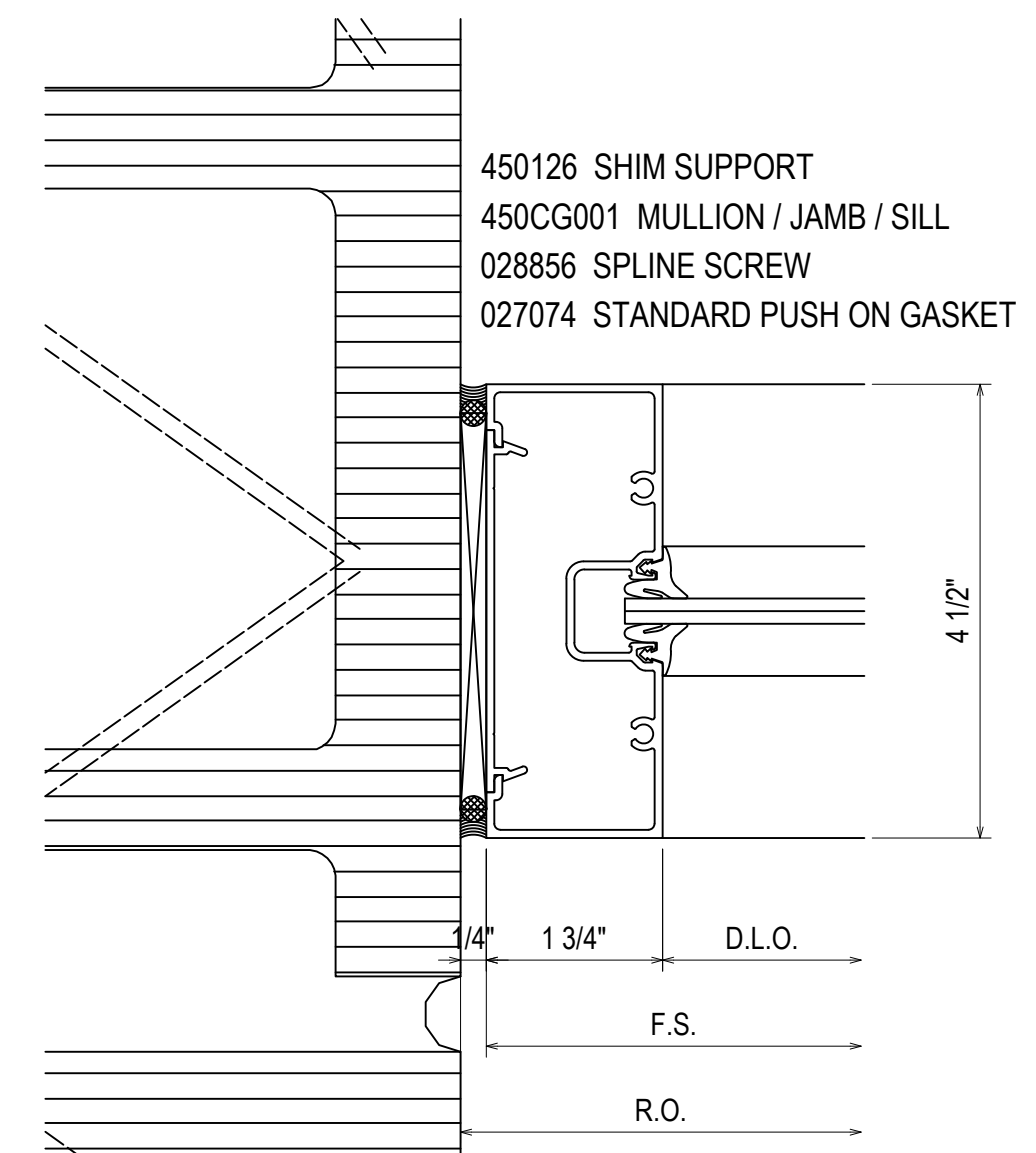
149
3.29
REF: N/A
TYPICAL VERTICAL



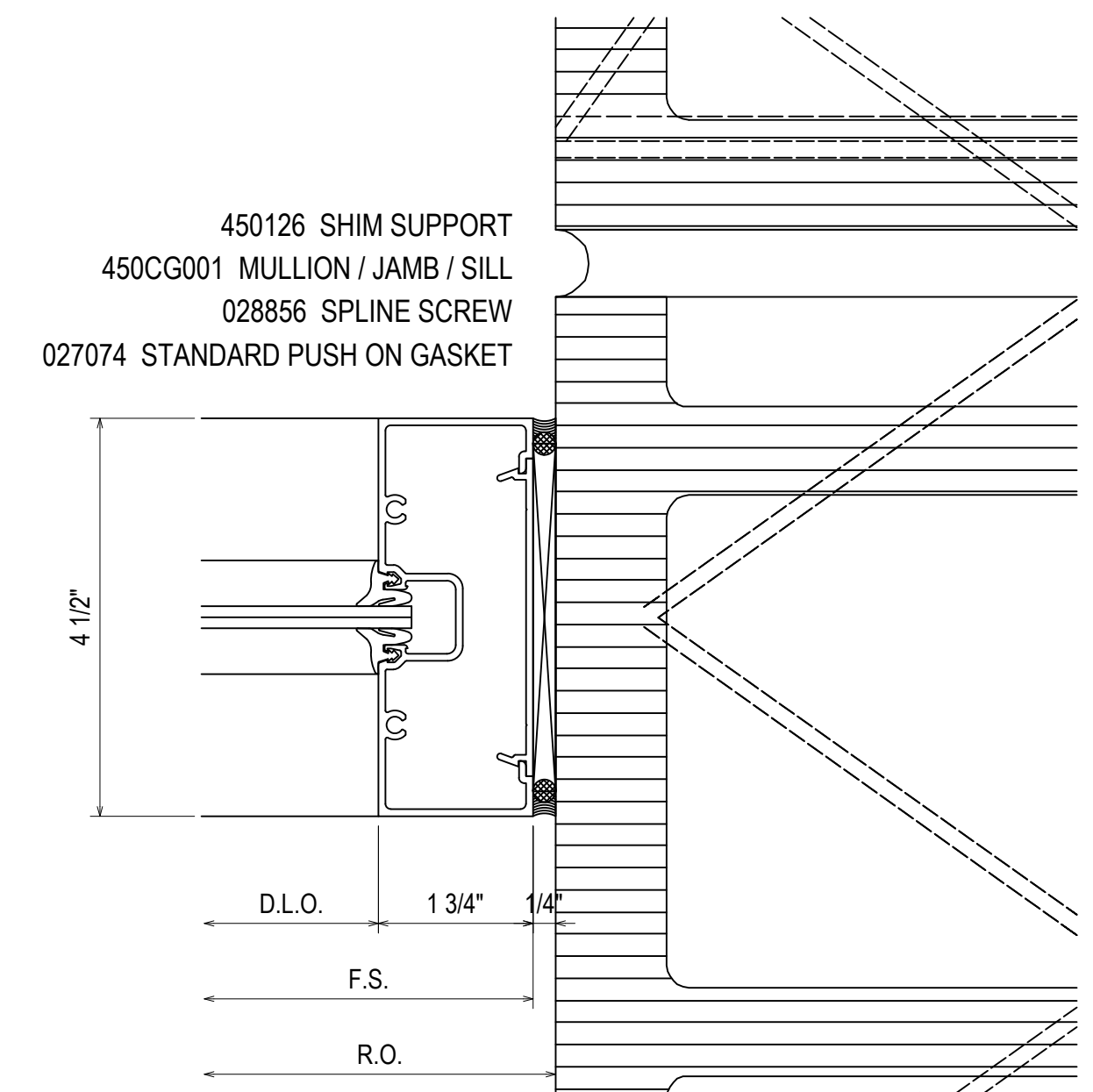
150
3.29
REF: 11/A5.0
KK



151
3.29
REF: 9/A5.0
KK1



152
3.29
REF: 11/A5.0
LL - MM



153
3.29
REF: 3/A1.1B
LL

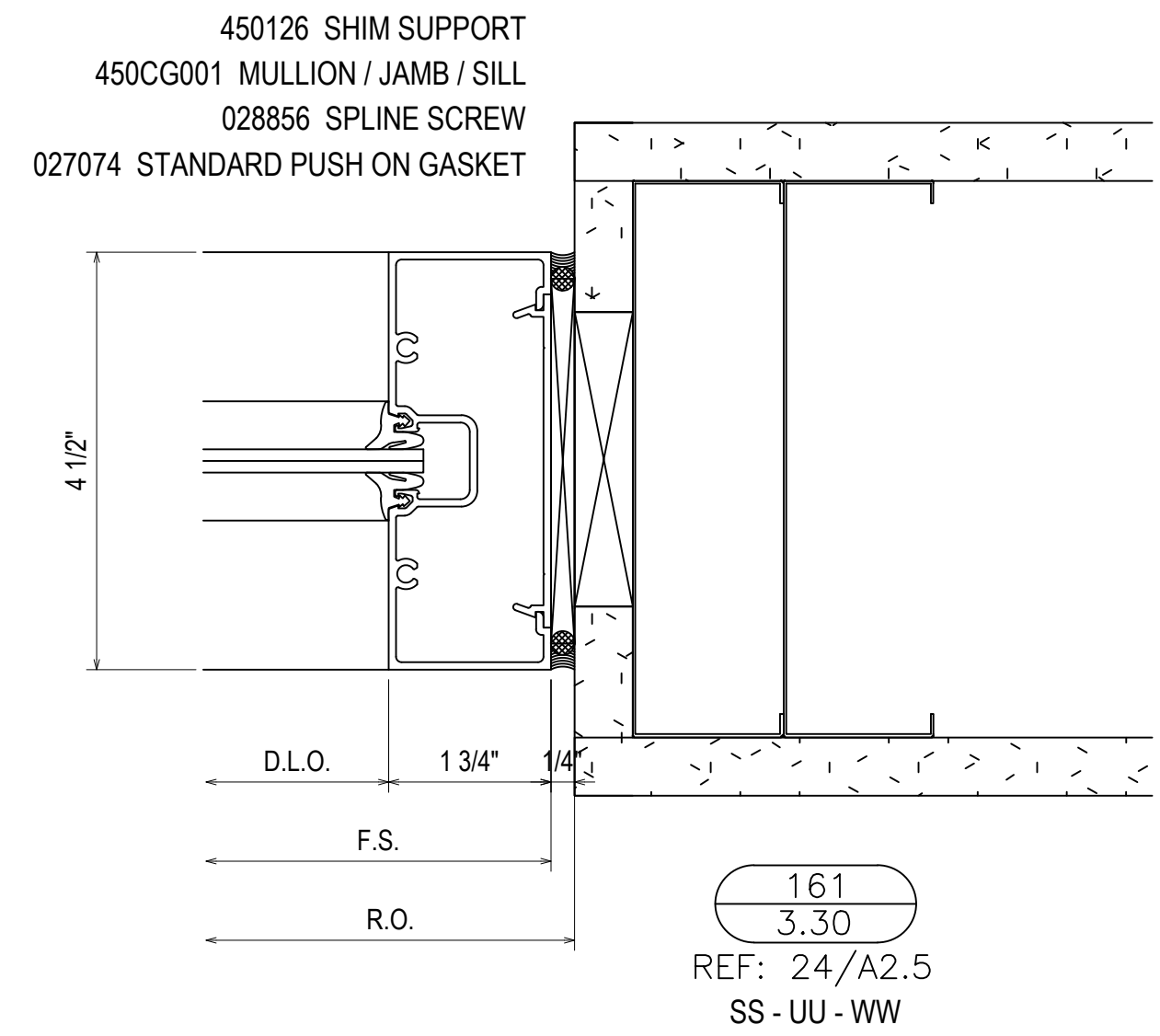
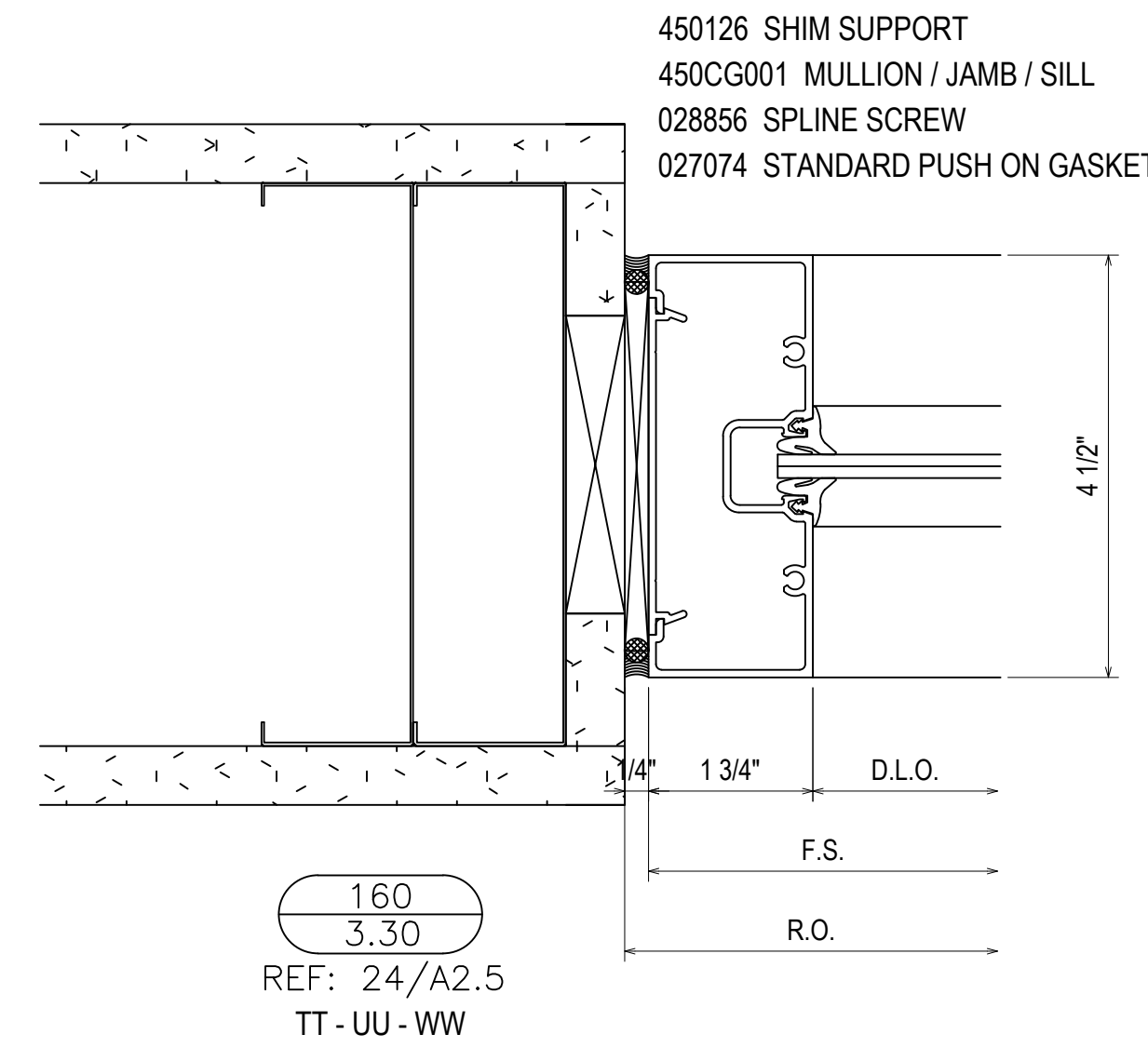
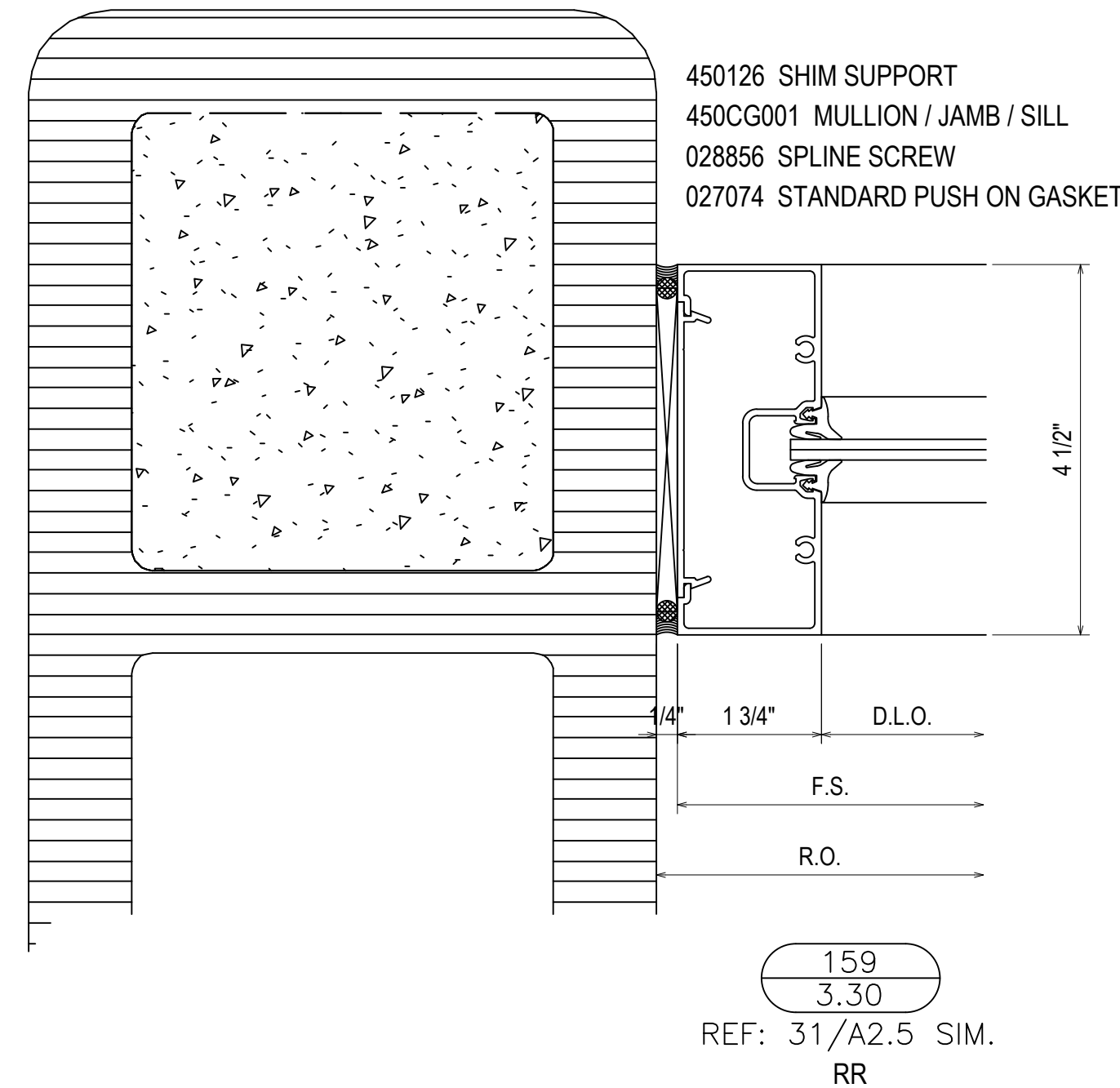
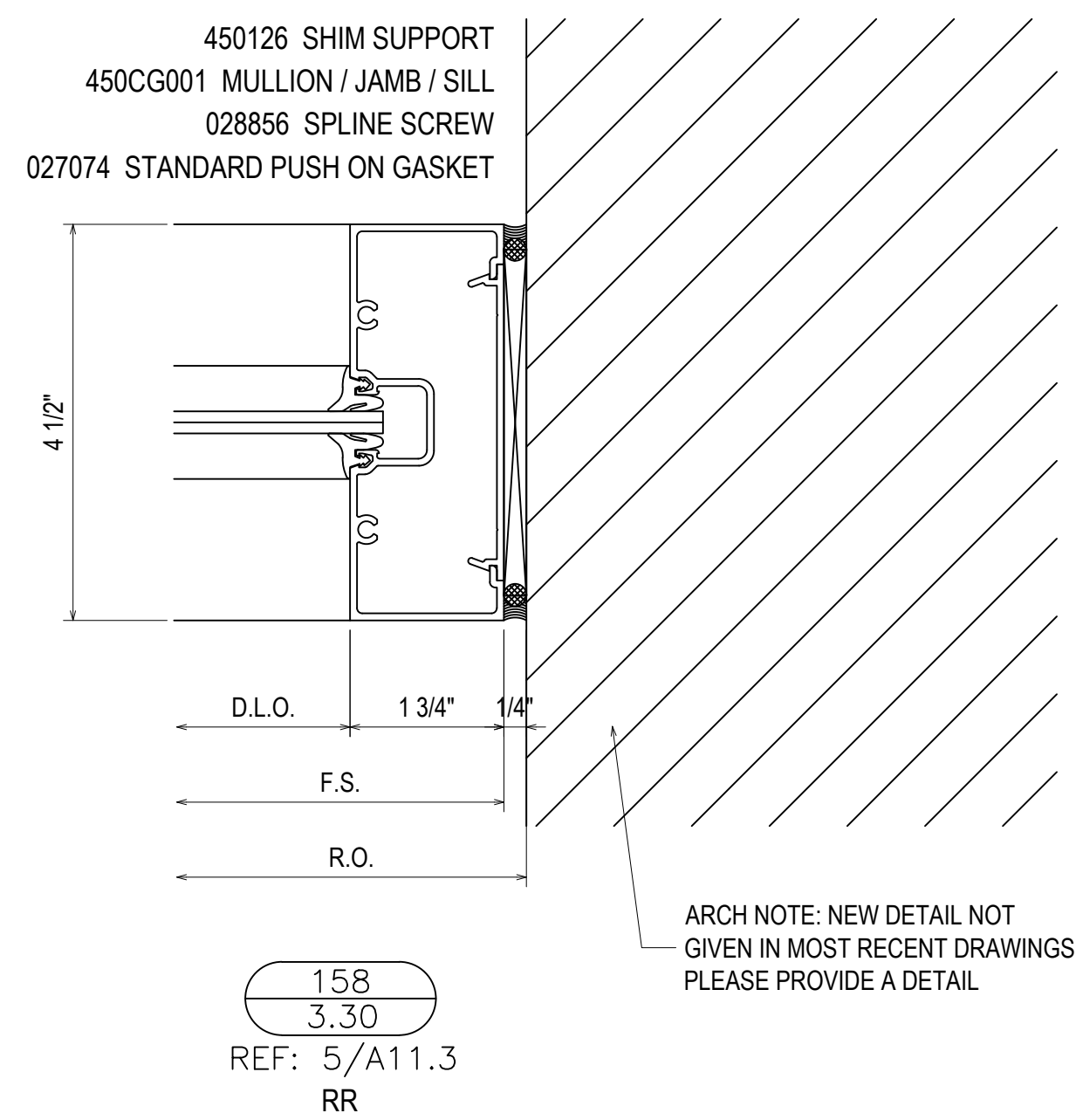
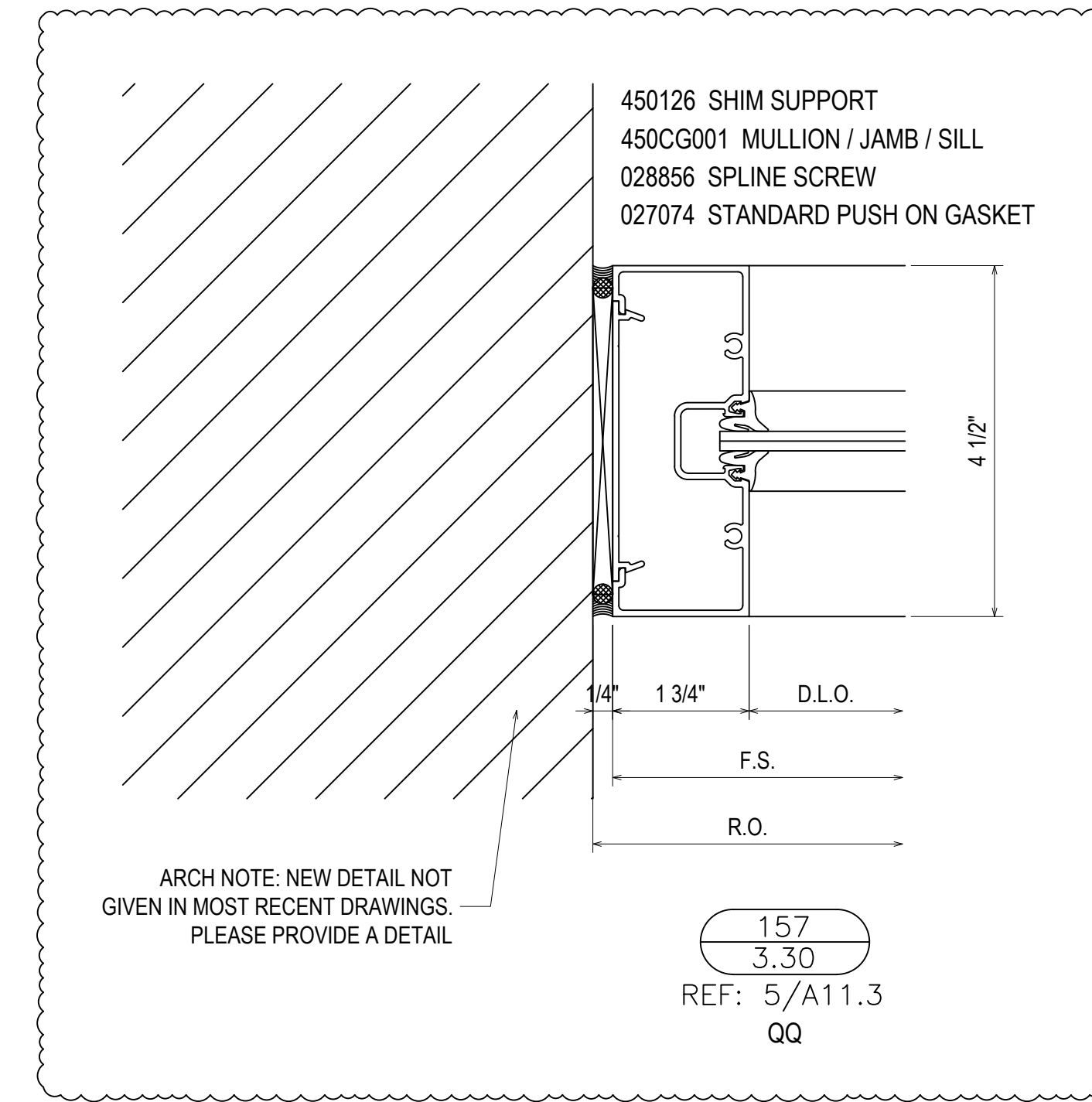
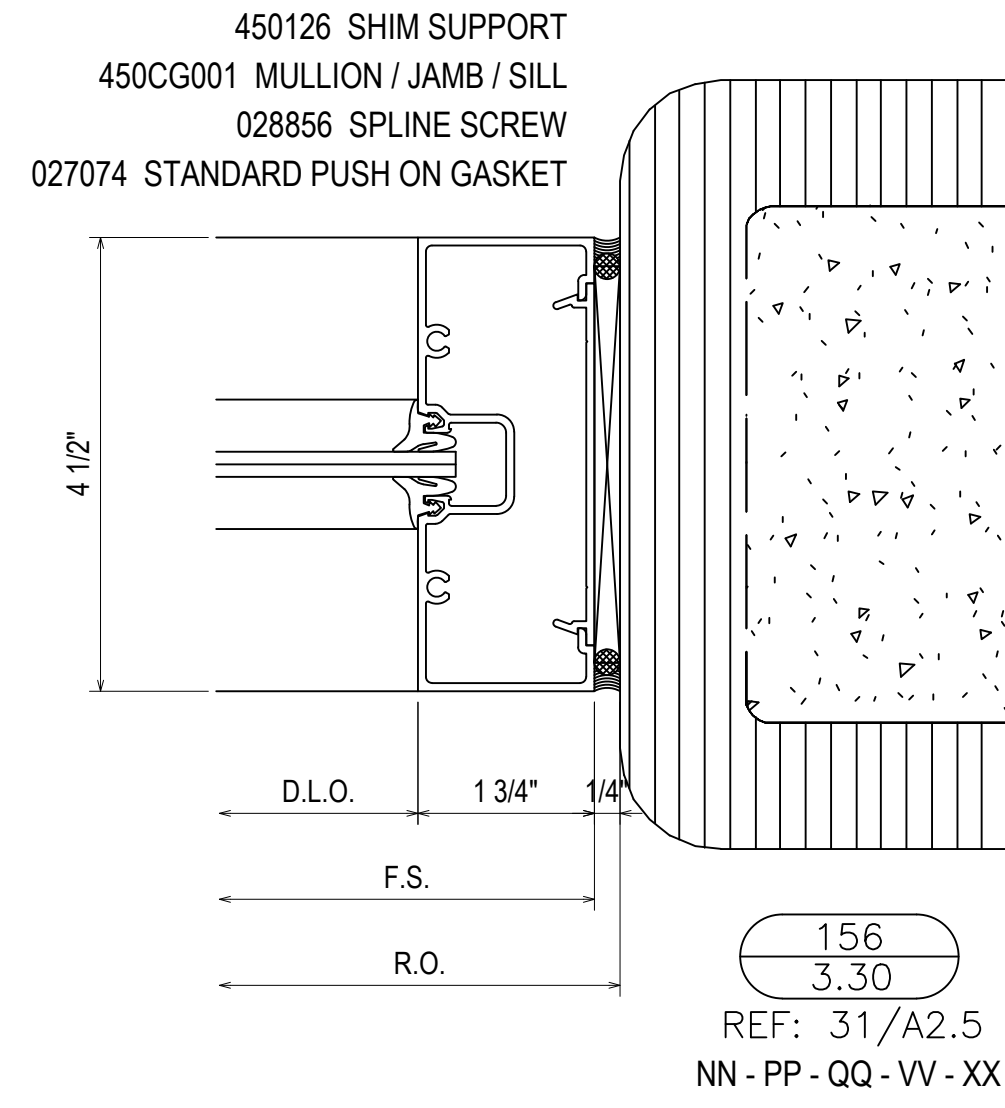
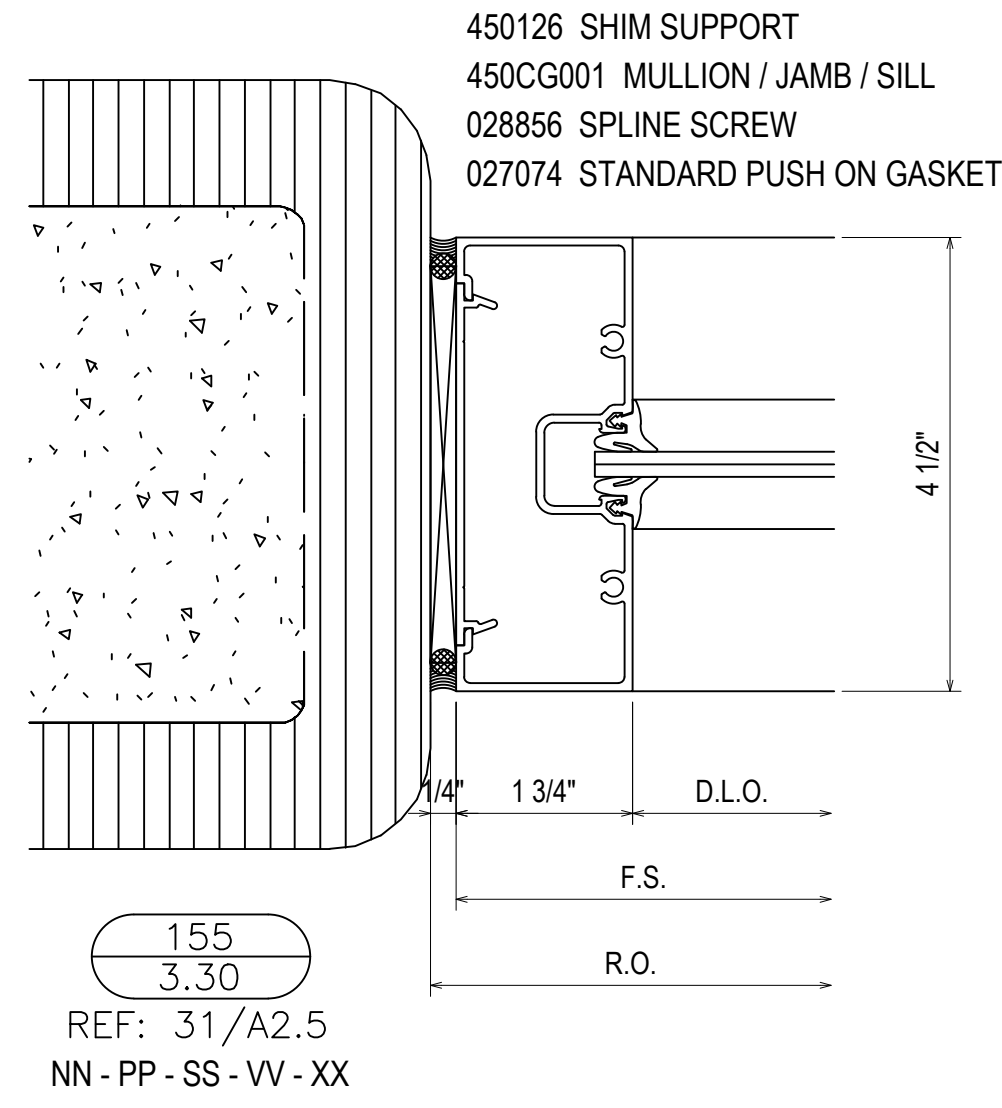
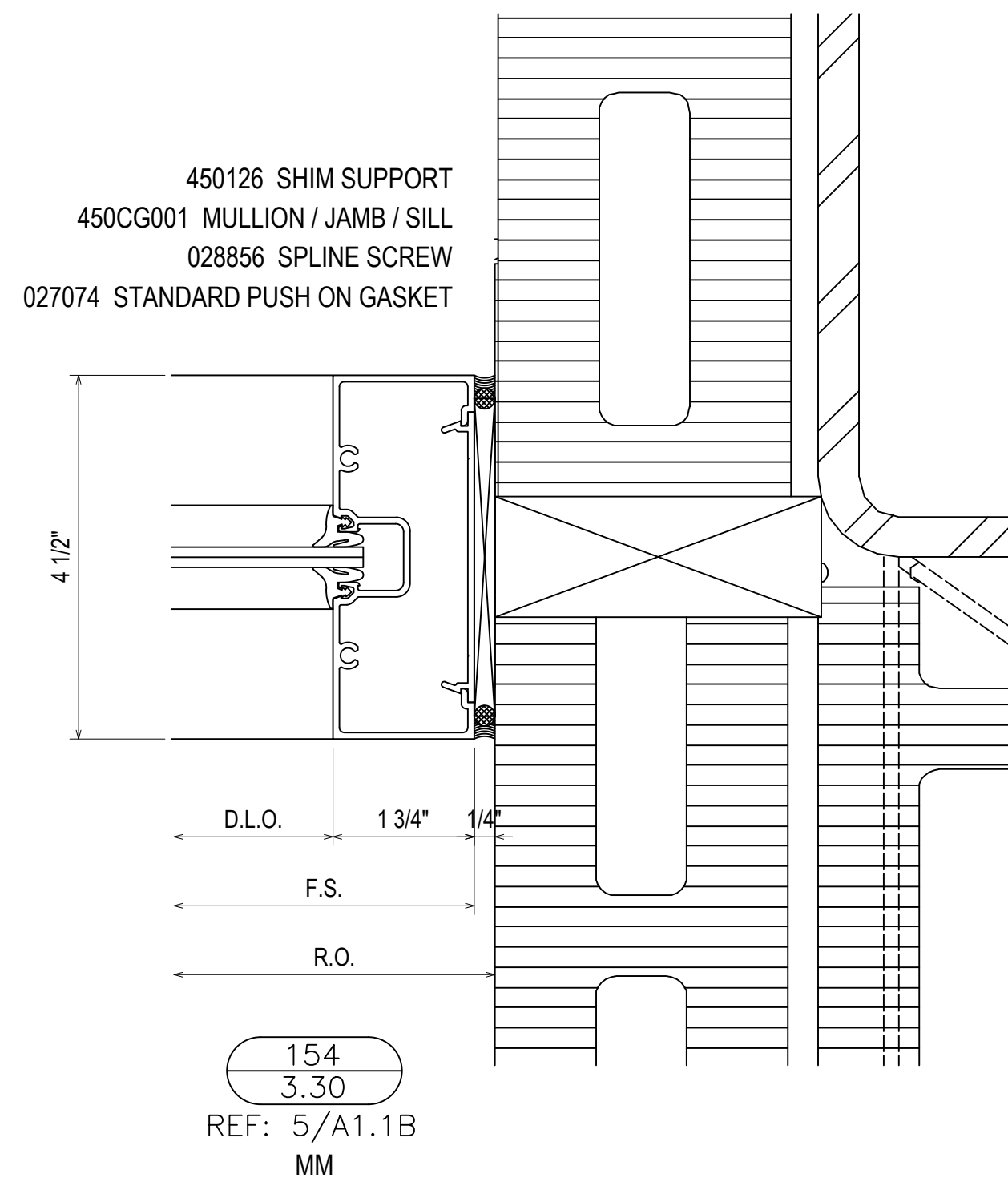
1ST SUBMISSION	8.1.22
1ST REVISION	10.12.22
2ND REVISION	12.16.22
NO	DATE
NO	DESCRIPTION
NO	DRAWING SUBMISSION

ERECTOR:
MUSCOGEE GLASS
6922 JAMESSON WAY
MIDLAND, GA 31820
(706)-569-9500

PROJECT: MCSD ELEMENTARY SCHOOL NO. 8

LOCATION: 180 NORTHSTAR DRIVE
COLUMBUS, GA 31907

DRAWN BY:	DATE:
DJ	8.1.22
CHECKED BY:	DATE:
CJ	8.1.22



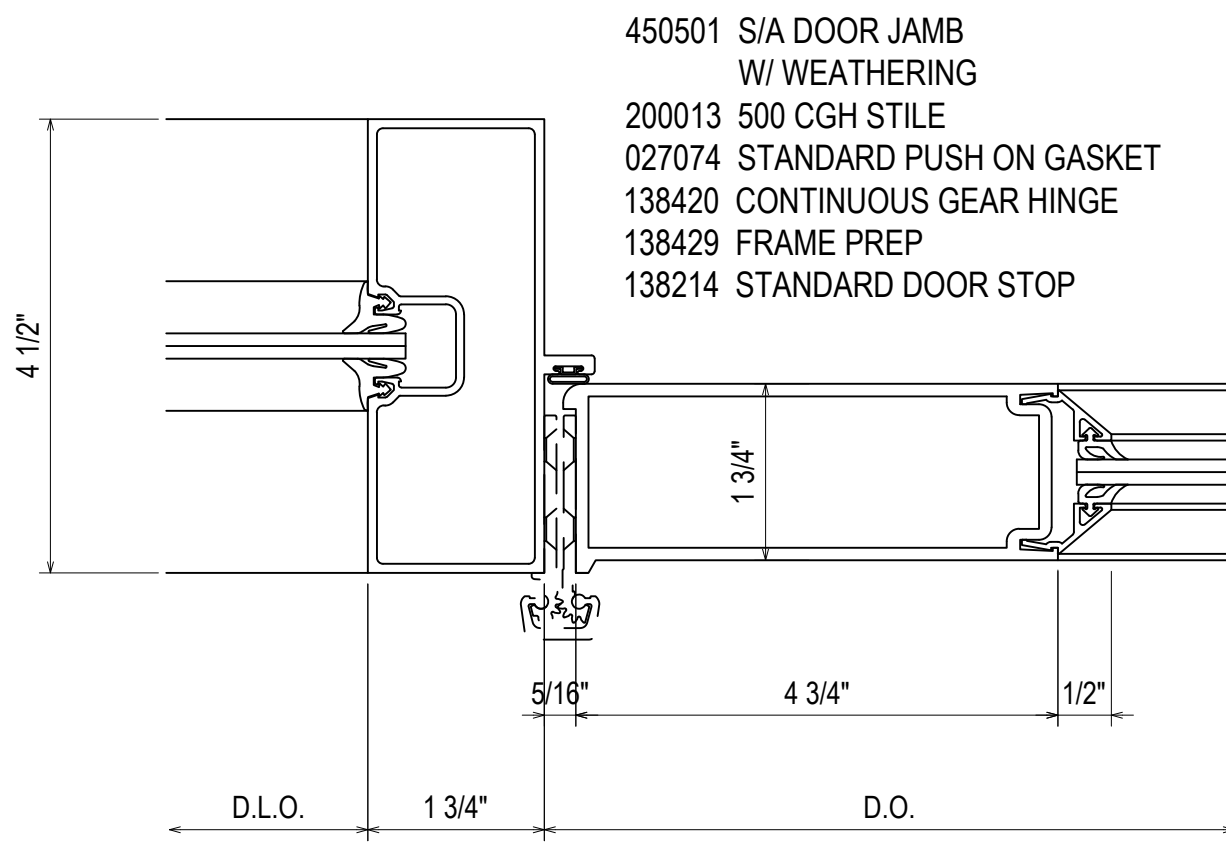
1ST SUBMISSION	8.1.22
1ST REVISION	10.12.22
2ND REVISION	12.16.22
NO	NO
DESCRIPTION	DATE
DRAWING SUBMISSION	

ERECTOR:
MUSCOGEE GLASS
6922 JAMESSON WAY
MIDLAND, GA 31820
(706)-569-9500

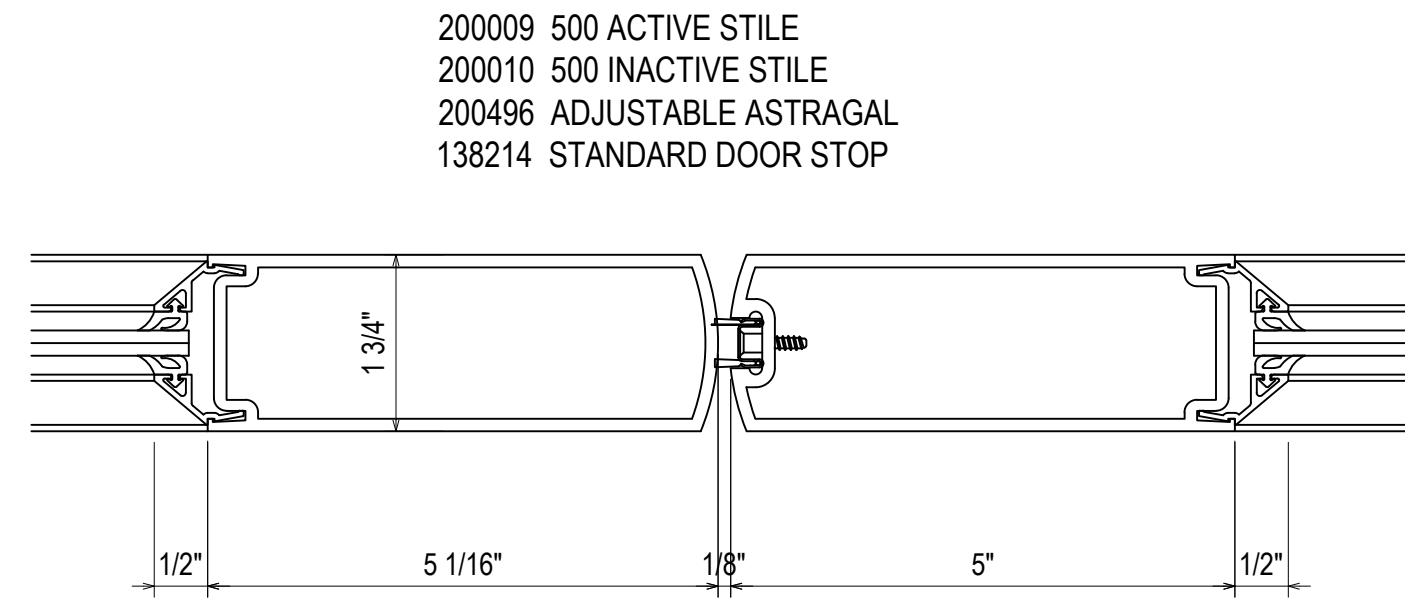
PROJECT: MCSD ELEMENTARY SCHOOL NO. 8

LOCATION: 180 NORTHSTAR DRIVE
COLUMBUS, GA 31907

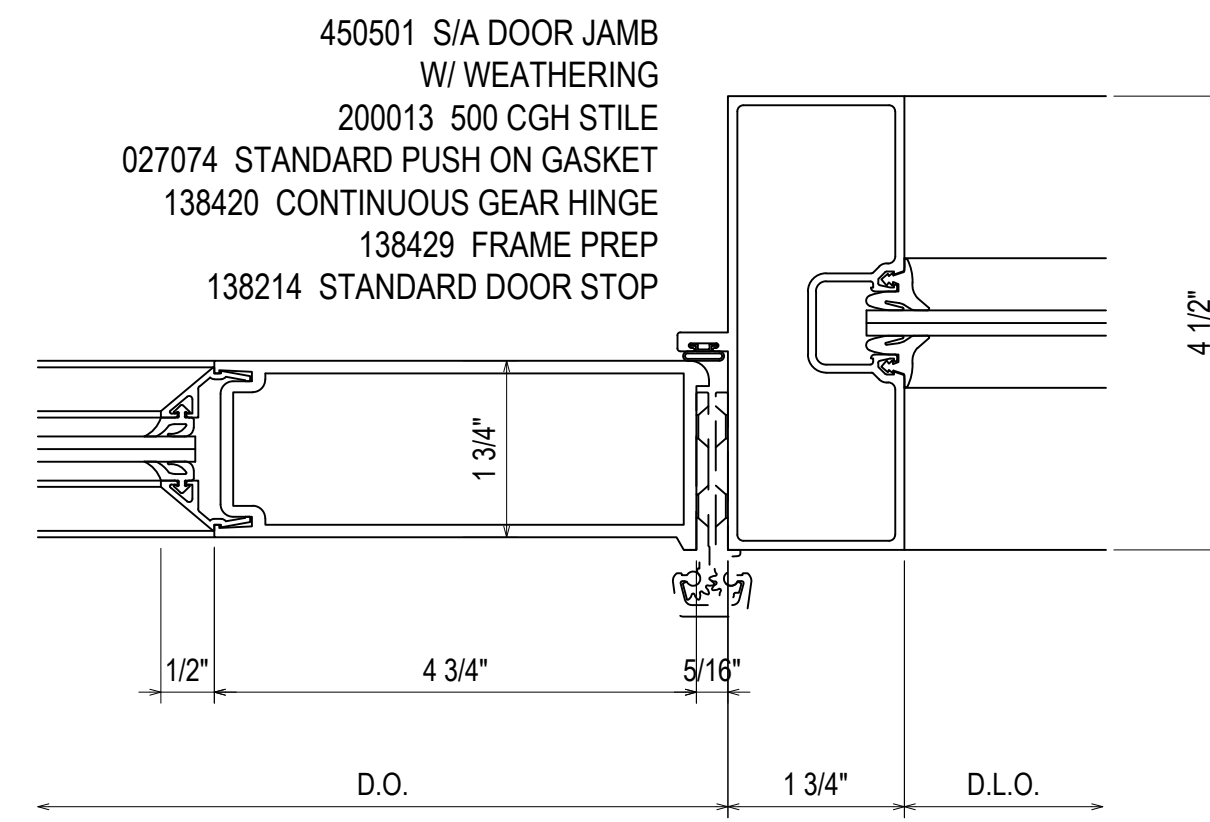
DRAWN BY:	DATE:
DJ	8.1.22
CHECKED BY:	DATE:
CJ	8.1.22



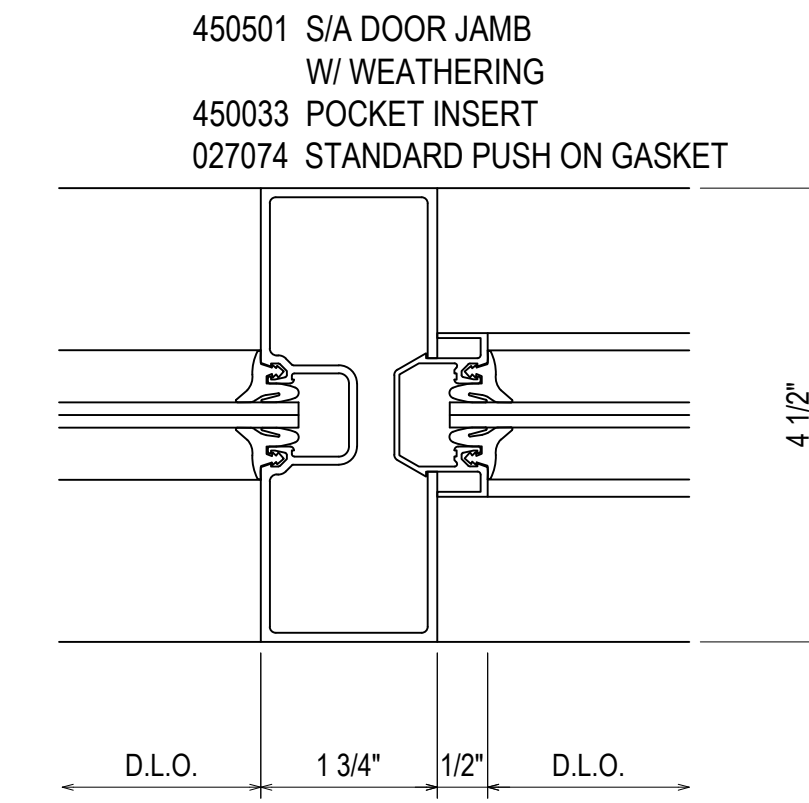
162
3.31
REF: N/A
KK - MM - NN - RR



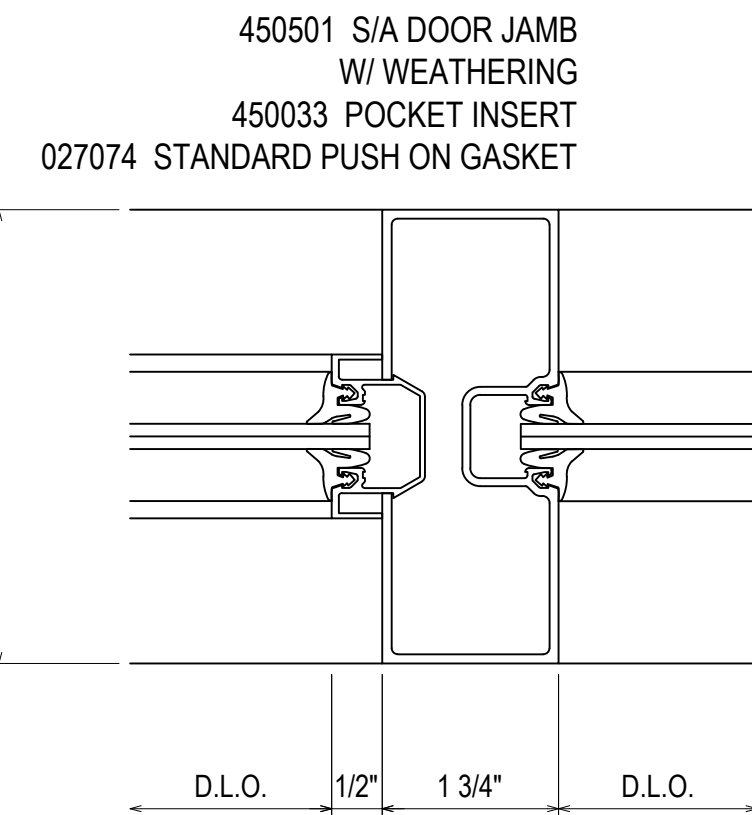
163
3.31
REF: N/A
KK - MM - NN - RR



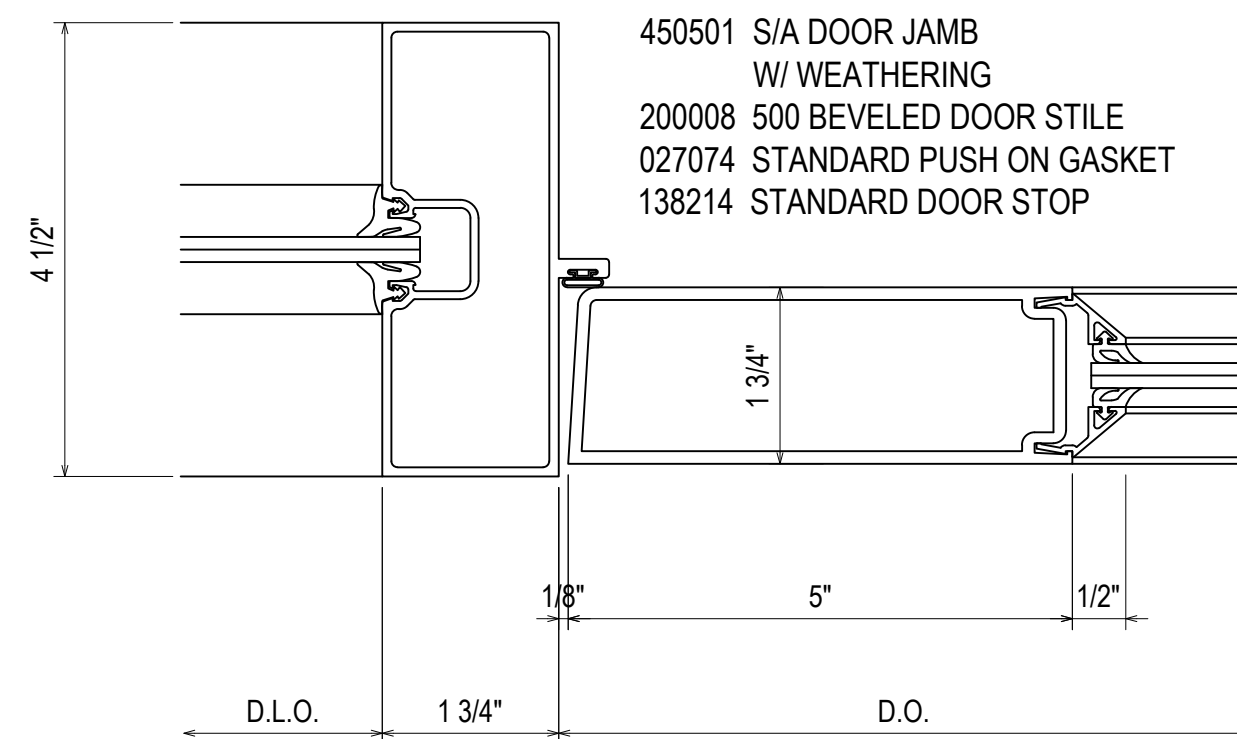
164
3.31
REF: N/A
KK - MM - NN - RR



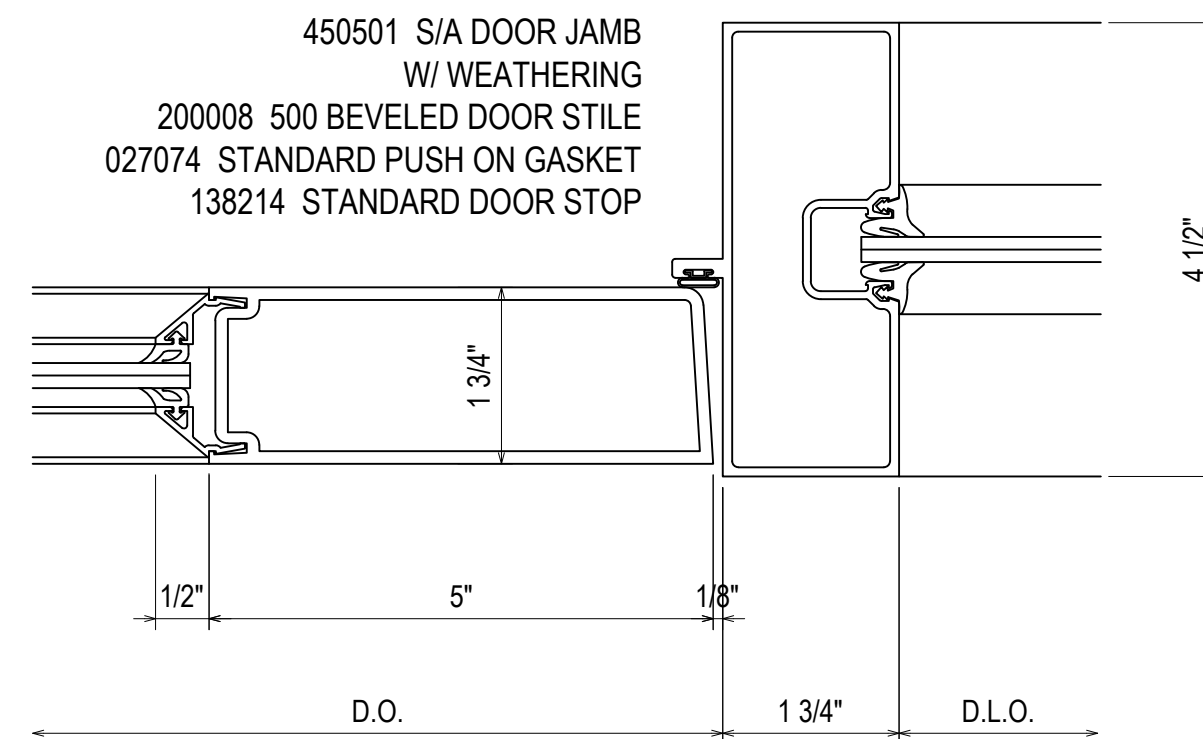
165
3.31
REF: N/A
KK - LL - MM - NN
RR - TT



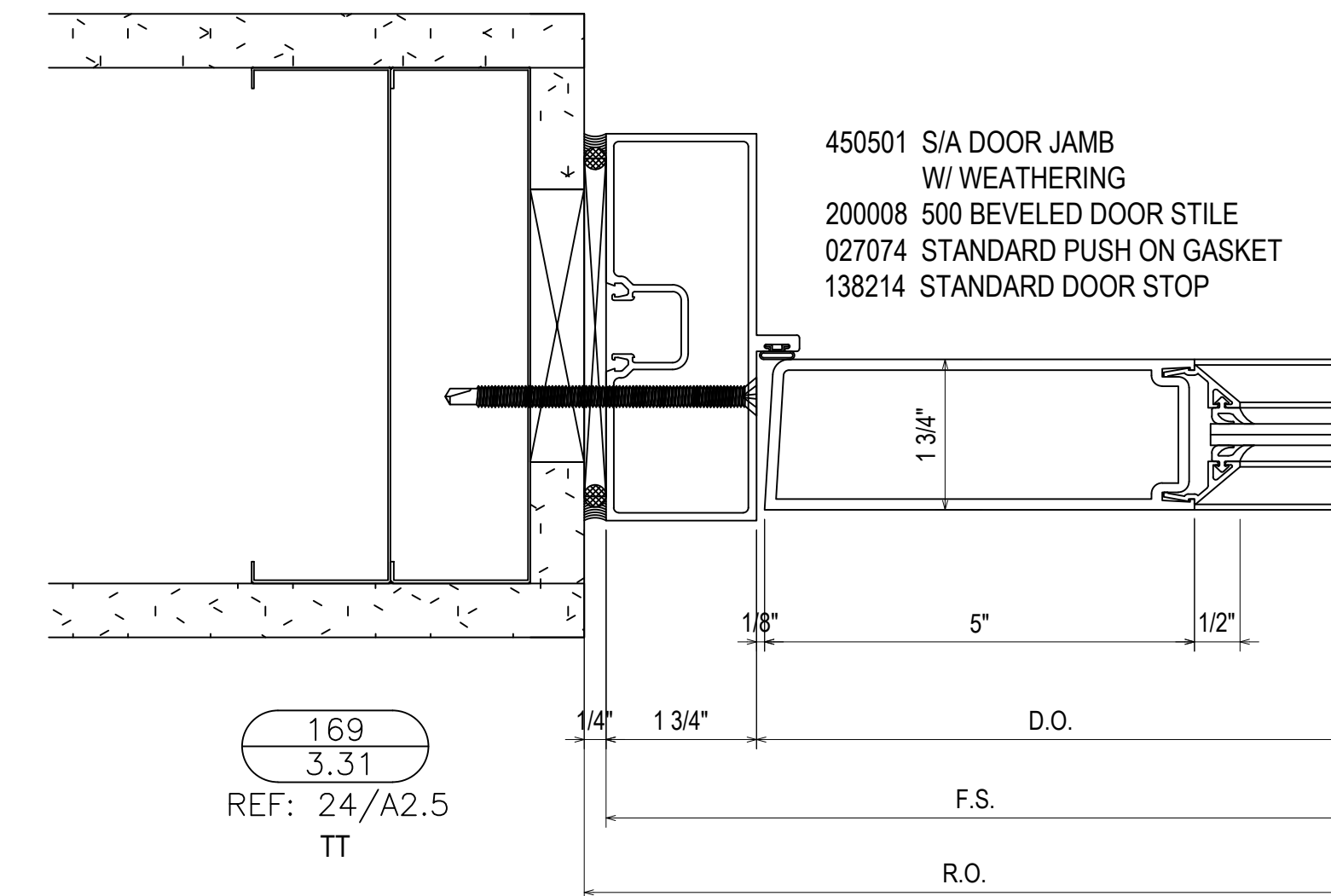
166
3.31
REF: N/A
KK - LL - MM - NN
RR



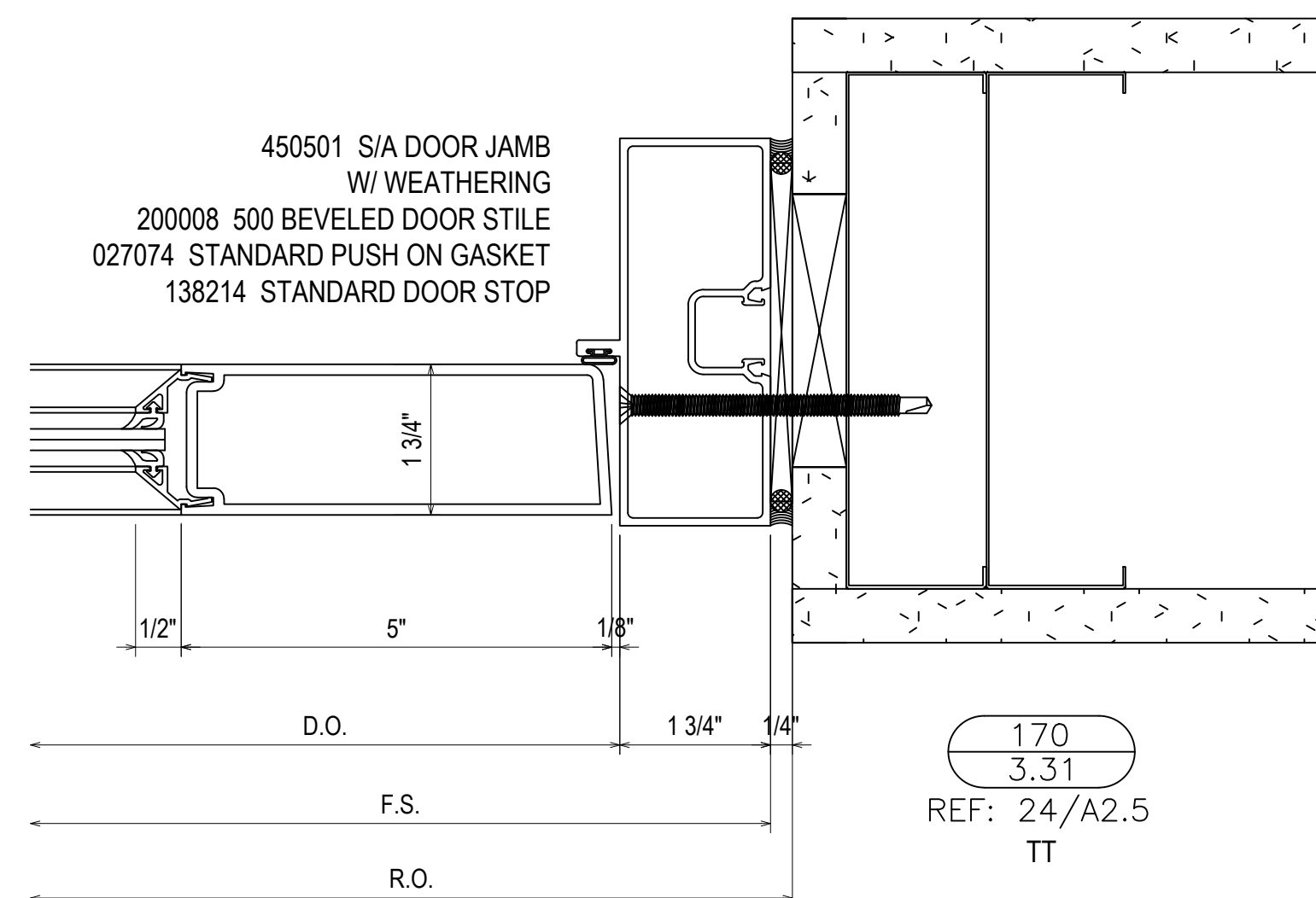
167
3.31
REF: N/A
LL - TT



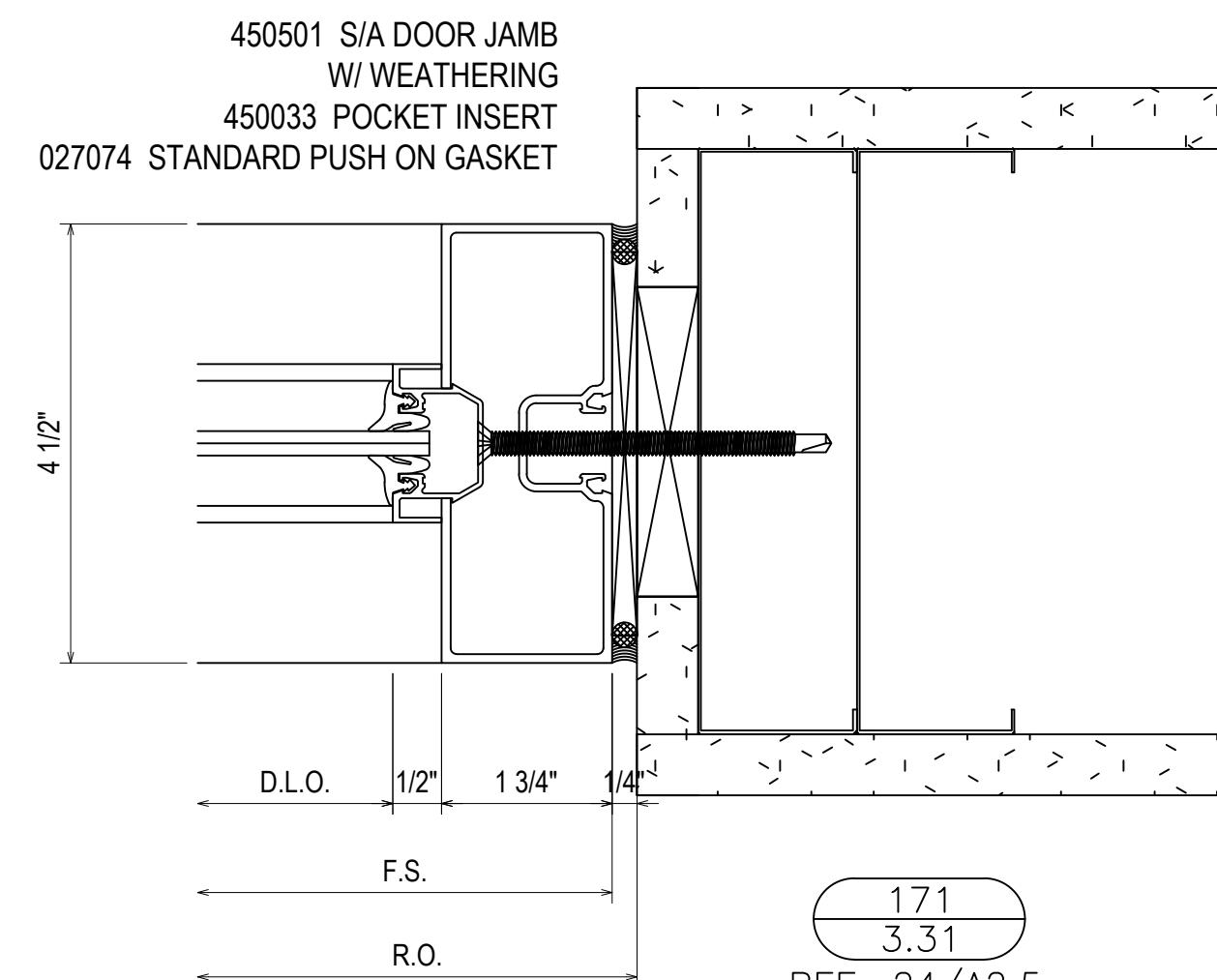
168
3.31
REF: N/A
LL



169
3.31
REF: 24/A2.5
TT



170
3.31
REF: 24/A2.5
TT



171
3.31
REF: 24/A2.5
TT

1ST SUBMISSION	8.1.22
1ST REVISION	10.12.22
2ND REVISION	12.16.22
NO	DATE
DESCRIPTION	DRAWING SUBMISSION

ERECTOR:
MUSCOGEE GLASS
6922 JAMESSON WAY
MIDLAND, GA 31820
(706)-569-9500

PROJECT: MCSD ELEMENTARY SCHOOL NO. 8
LOCATION: 180 NORTHSTAR DRIVE
COLUMBUS, GA 31907

DRAWN BY:	DATE:
DJ	8.1.22
CHECKED BY:	DATE:
CJ	8.1.22