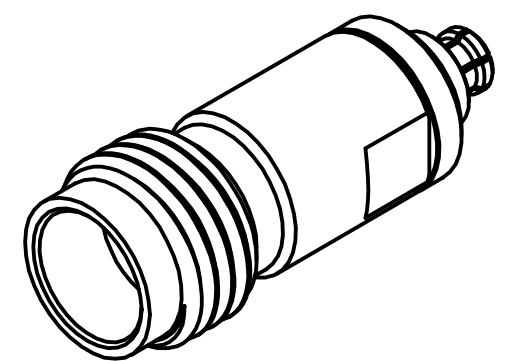
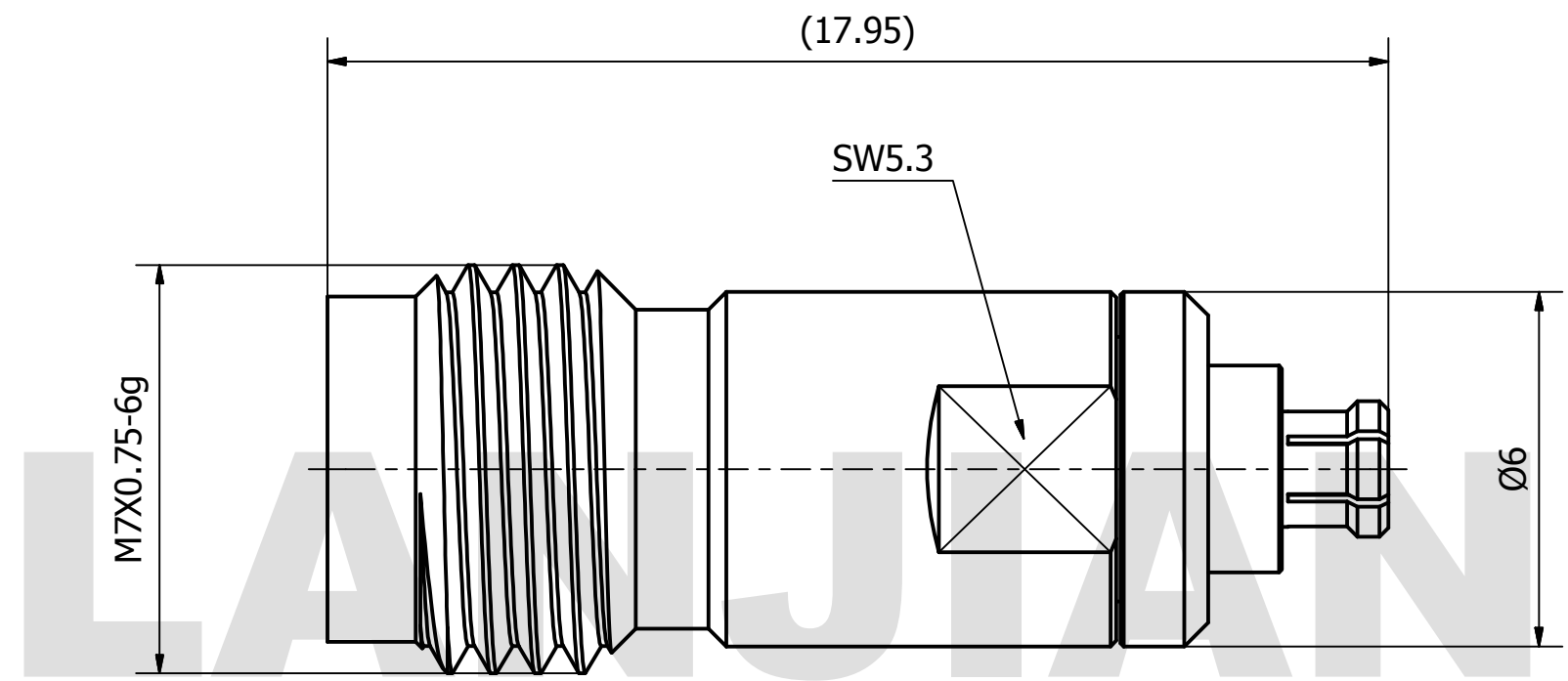


PRODUCT DATA SHEET



MATERIAL:
 BODY: STAINLESS STEEL & BERYLLIUM COPPER
 CONTACT: BERYLLIUM COPPER PER ASTM B196.
 INSULATOR: PEI

PERFORMANCE:
 IMPEDANCE: 50 OHMS
 FREQUENCY: DC TO 65 GHz
 VSWR: ≤1.35

THIS DOCUMENT CONTAINS CONFIDENTIAL AND PROPRIETARY INFORMATION THAT CANNOT BE REPRODUCED OR DIVULGED, IN WHOLE OR IN PART, WITHOUT WRITTEN AUTHORIZATION FROM "LANJIAN ELECTRONICS"	MATERIAL :		
	UNLESS OTHERWISE SPECIFIED: DIMENSIONS IN MM		
	TOLERANCES :		
	X.X	± 0.20	ANGULAR : ± 1°
	X.XX	± 0.10	FILLETS R/C : ± 0.10
	X.XXX	± 0.01	SURFACE FINISH : Ra 1.6
			DEBURR AND BREAK SHARP EDGES
		NAME	DATE
	DRAWN	YaoJiang	04/25/2019
	CHK'D	HongZhongYan	04/25/2019
APPV'D	HongZhongYan	04/25/2019	
MFG			
	PROJECTION	SIZE	SCALE
		A3	8 : 1

LANJIAN ELECTRONICS
 38 Hengtong Road, Xinqu Dingmao
 Zhenjiang, 212009, Jiangsu, P. R. China

TITLE
1.85/SMPM-KK straight adaptor

DWG No. GCPZ3.640.U.027 REV. A

DO NOT SCALE THE DRAWING PAGE 1 / 1