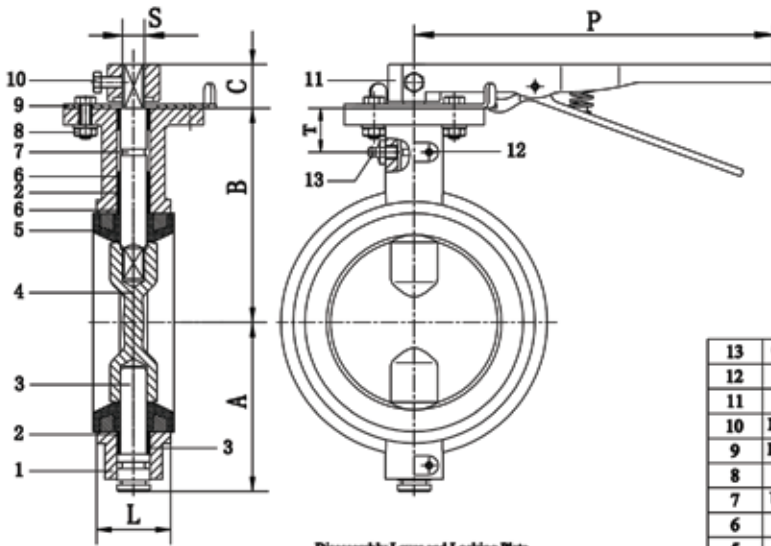
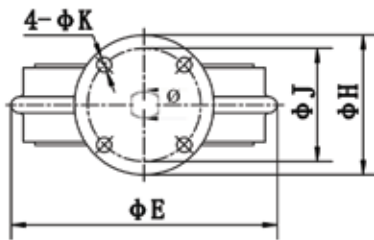


DUCTILE X STAINLESS BUTTERFLY VALVE

200 PSI SERIES: 2014DWR



Disassembly Lever and Locking Plate



| | | | |
|------|----------------|-------------------------------------|---------------|
| 13 | Groove fitting | SS, Bronze | For 6" to 12" |
| 12 | Spring Pin | Carbon Steel | |
| 11 | Lever | Malleable cast iron | |
| 10 | Locking Bolt | Carbon Steel | |
| 9 | Locking Plate | Carbon Steel | |
| 8 | Bolt & nut | Carbon Steel | |
| 7 | Upper Stem | SS410, SS416, SS304, SS316, | |
| 6 | Bushing | PTFE | |
| 5 | Seat | NBR, EPDM | |
| 4 | Disc | Nickel plated DI, CF8, CF8M, C95400 | |
| 3 | Lower Stem | SS410, SS416, SS304, SS316 | |
| 2 | O-Ring | NBR, EPDM | |
| 1 | Body | CI, DI | |
| Item | Description | Material | Remark |

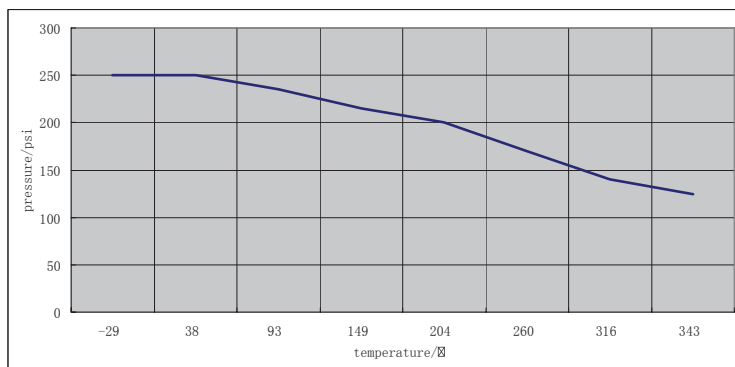
| NPS | A | B | C | E | H | J | K | L | S | P | T | ø |
|--------|------|-------|------|-------|------|------|------|------|------|-------|------|-------|
| 2" | 2.99 | 3.94 | 1.26 | 4.13 | 4.00 | 3.25 | 0.44 | 1.65 | 0.39 | 10.23 | | 0.5 |
| 2 1/2" | 3.35 | 4.61 | 1.26 | 4.88 | 4.00 | 3.25 | 0.44 | 1.77 | 0.39 | 10.23 | | 0.5 |
| 3" | 3.66 | 4.92 | 1.26 | 5.37 | 4.00 | 3.25 | 0.44 | 1.77 | 0.39 | 10.23 | | 0.5 |
| 4" | 4.29 | 6.02 | 1.26 | 6.87 | 4.00 | 3.25 | 0.44 | 2.05 | 0.47 | 10.23 | | 0.625 |
| 5" | 4.84 | 6.14 | 1.26 | 7.75 | 4.00 | 3.25 | 0.44 | 2.13 | 0.55 | 10.23 | | 0.75 |
| 6" | 5.35 | 6.69 | 1.26 | 8.75 | 4.00 | 3.25 | 0.44 | 2.20 | 0.55 | 10.23 | 1.25 | 0.75 |
| 8" | 6.54 | 9.45 | 1.49 | 11.00 | 5.98 | 5.00 | 0.56 | 2.36 | 0.67 | 14.00 | 2.20 | 0.875 |
| 10" | 7.83 | 11.22 | 1.49 | 13.37 | 5.98 | 5.00 | 0.56 | 2.60 | 0.86 | 14.00 | 2.48 | 1.125 |
| 12" | 9.37 | 11.81 | 1.49 | 16.13 | 5.98 | 5.00 | 0.56 | 3.03 | 0.94 | 14.00 | 1.96 | 1.25 |

* Due to the continuous development of our products, design or construction may change without prior notice

DUCTILE X STAINLESS BUTTERFLY VALVE

200 PSI SERIES: 2014DWR

Pressure-temperature curve



200PSI Torque

| SIZE | Torque(N. m) |
|------|--------------|
| 2" | 19 |
| 2.5" | 30 |
| 3" | 39 |
| 4" | 62 |
| 5" | 95 |
| 6" | 138 |
| 8" | 226 |
| 10" | 360 |
| 12" | 514 |

Flow coefficients

Cv Values(US-GPM @ 1/P)

| Size | 10° | 20° | 30° | 40° | 50° | 60° | 70° | 80° | 90° |
|------|------|-----|-----|------|------|------|------|------|------|
| 2" | 0.06 | 3 | 7 | 15 | 27 | 44 | 70 | 105 | 115 |
| 2.5" | 0.1 | 6 | 12 | 25 | 45 | 75 | 119 | 178 | 196 |
| 3" | 0.2 | 9 | 18 | 39 | 70 | 116 | 183 | 275 | 302 |
| 4" | 0.3 | 17 | 36 | 78 | 139 | 230 | 364 | 546 | 600 |
| 5" | 0.5 | 29 | 61 | 133 | 237 | 392 | 620 | 930 | 1022 |
| 6" | 0.8 | 45 | 95 | 205 | 366 | 605 | 958 | 1437 | 1579 |
| 8" | 2 | 89 | 188 | 408 | 727 | 1202 | 1903 | 2854 | 3136 |
| 10" | 3 | 151 | 320 | 694 | 1237 | 2049 | 3240 | 4859 | 5340 |
| 12" | 4 | 234 | 495 | 1072 | 1911 | 3162 | 5005 | 7507 | 8250 |