

Operating Instruction and Parts Manual for

350DD Epoxy



WARNING

DO NOT ATTEMPT TO START OR OPERATE THE MACHINE UNTIL ALL THE INSTRUCTIONS HAVE BEEN READ AND UNDERSTOOD BY THE OPERATOR. FAILURE TO DO SO COULD RESULT IN SERIOUS BODILY INJURY AND/ OR PROPERTY DAMAGE!

K KUSHLAN
PRODUCTS, LLC

10601 S. Sam Houston Pkwy W.,
Ste. 140
Houston, TX 77071
281-313-2506 • 800-469-4178

SHOULD YOU REQUIRE ANY SET-UP OR OPERATING ASSISTANCE WITH YOUR PRODUCT,

DO NOT RETURN TO ORIGINAL PLACE OF PURCHASE

o After referring to the operation manual, if assistance is still needed, please consult our web Site at www.kushlanproducts.com

o From our web site you may **e-mail us** directly If assistance is still required, please call our customer service department at **1-800-469-4178**



Safety Alert Symbol: This safety alert symbol is used to attract your attention!

o Personal Safety is involved when you see this symbol, Pay extra attention, become alert-be sure to heed it's message. Failure to do so may lead to serious personal injury or damage may occur.

o Warnings and safety instruction: If these warnings and safety instructions are not read and carefully followed, serious personal injury could occur.



WARNINGS

1. Do not use, start, or attempt to operate this machine until all of the instructions have been read and fully understood.
2. Never allow anyone to operate this machine unless the person is well acquainted with these rules of safe operation.
3. Never operate this machine without all guards in place and firmly attached to the machine.
4. Make certain that the mixing drum is clear of obstructions and stand clear of the machine without all guards in place and firmly attached to the machine.
5. When cleaning, lubricating, or adjusting the mixer, disconnect the power plug.
6. Keep all people (except operator) a minimum of five (5) feet away from the machine during operation.
7. Always make certain that the mixer is connected to a properly grounded electric circuit to protect the operator from possible electric shock.
8. Do not start the engine if the drum is Fully loaded
9. Do not overload the mixer
10. Never attempt to move the mixer while the engine is on.

SAFETY INSTRUCTIONS *For the safety of yourself and others around you, it is extremely important that you observe the following notes.*

1. Keep hands and clothing away from moving parts at all times.
2. Do not operate this machine under the influence of alcohol or while taking medication that impairs the senses or reactions.
3. Make certain that the work area around the machine is clear of debris and obstructions.
4. Keep all unauthorized and untrained people away from the machine at all times.
5. Never let the mixer run unattended even for a brief moment.
6. Turn off the engine when you leave the machine.
7. Only use or operate the mixer on level ground to prevent the mixer from tipping over.
8. Do not overreach while working with the mixer. Keep proper Footing and balance at all times when loading or unloading the mixer.
9. Never allow children or inexperienced operators to operate or repair the mixer.
10. Use only factory authorized parts for replacement
11. Keep these operation instructions with the machine at all times
12. Always wear safety glasses and safety shoes when operating and moving equipment
13. Safety decals – replace missing damaged safety decals.



Mixer Instructions

A. LUBRICATION: There are grease fittings on all models. Apply any type of EP grease until grease begins to come out of the bushings. **LUBRICATE ALL FITTINGS BEFORE EACH USE**

B. GEARBOX MOTOR: Mixer **DO NOT** shipped with lubricate/oil in gearbox. Change lubricate/oil every 200 hours. Use **8 ounces 75W-90 oil.**

C. GENERAL: Check all screws for tightness before each use.

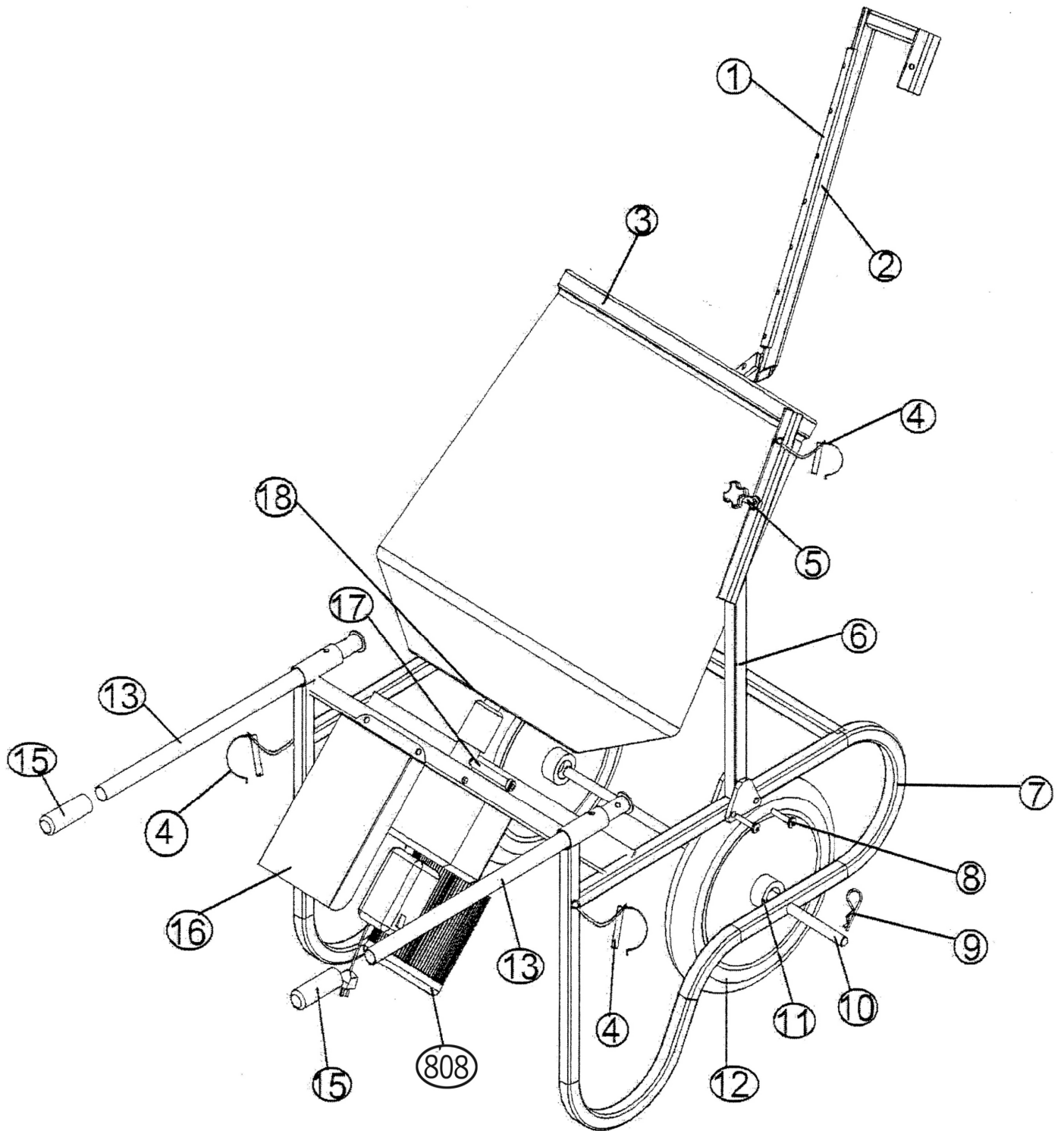
D. CONCRETE MIXING: Do not insert sharp objects into the plastic mixing drum. Doing so will damage the drum.

E. CLEANING: Do not spray water on or into the motor. Thorough cleaning of the mixer after each use is recommended and will add to the service life.

Model 350DD Epoxy Parts List

ITEM	PART NO	DESCRIPTION	QTY
1	350EP-01	Plastic Scraper	2
2	350EP-02	Scraper Holder	1
3	350EP-03	Polyethylene 3.5 Cu. Ft. Drum	1
4	350EP-04	Locking Pin with Lanyard	3
5	350EP-05	Handle-Screw M10 * 40	1
6	350EP-06	Support Frame for Scraper Holder	1
7	350EP-07	Wheelbarrow Frame	1
8	350EP-08	Screw M8 * 50	2
9	350EP-09	"R" Clip for Wheelbarrow Axle	2
10	350EP-10	Wheelbarrow Axle	1
11	350EP-11	Ball Bearing for Wheel 16 * 22(mm)	2
12	350EP-12	300 x 8 Flat Free Wheel	2
13	350EP-13	Wheelbarrow Handle	2
14	DD-808	Gear Motor 3/4HP	1
15	350EP-15	Handle Grip	2
16	350EP-16	Metal Cover for Gear Motor	1
17	350EP-17	Whizlock Screw M12 * 20	1
18	350EP-18	Drum Plate with Shaft Bushing	1

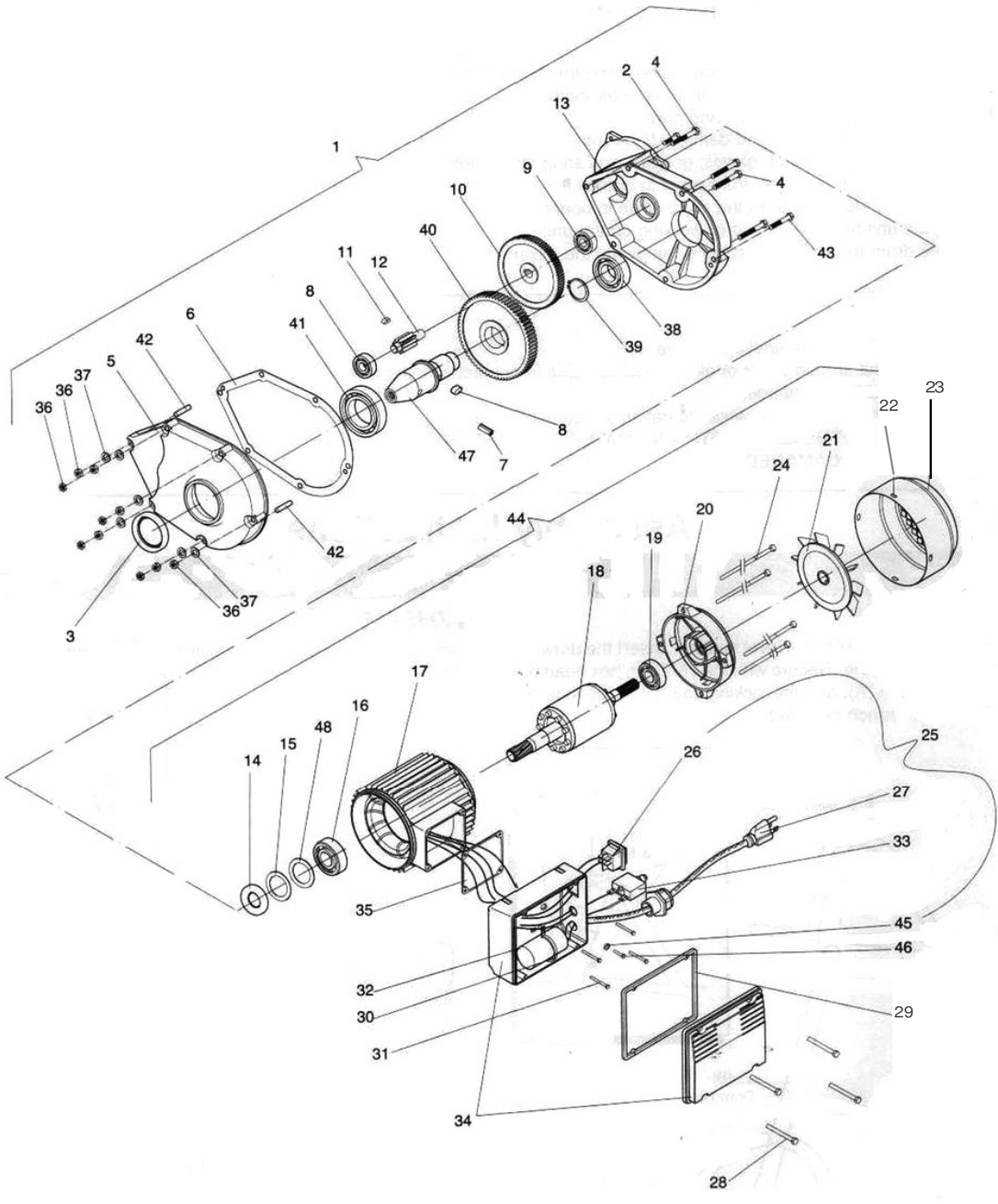
Model 350DD Epoxy Part List

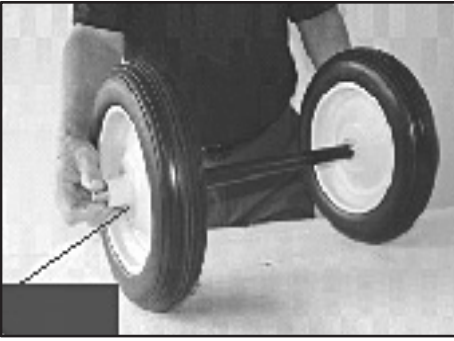


Gearbox and Motor Assembly Parts List

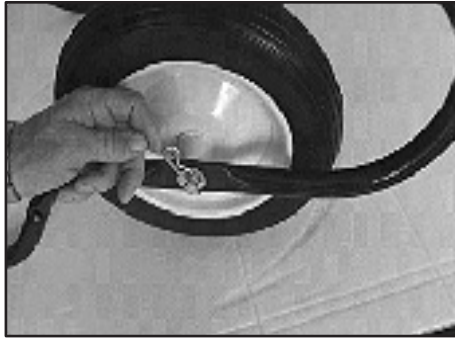
Item	Part Number	DESCRIPTION	Qty
1	DD-808	Gearbox and Motor Assembly (110V-60Hz)	1
2	DDMA-02	Screw (6x25mm)	1
3	DDMA-03	Seal (40mm)	1
4	DDMA-04	Screw (6x50mm)	4
5	DDMA-05	Gearbox Case Front Half	1
6	DDMA-06	Gearbox Gasket	1
7	DDMA-07	Pin (8x20mm)	1
8	DDMA-08	Locking Key For Gear and Axle (8x7x15mm)	1
9	DDMA-09	Gearbox Ball Bearing	1
10	DDMA-10	Gear (Z79)	1
11	DDMA-11	Locking Key for Gear Axle (5x5x12mm)	1
12	DDMA-12	Pinion (Z9)	1
13	DDMA-13	Gearbox Case Back Half	1
14	DDMA-14	Motor Seal (20mm)	1
15	DDMA-15	Space Washer A (30mm)	1
16	DDMA-16	Motor Bearing (6004z)	1
17	DDMA-17	Motor Casing	Seceral
18	DDMA-18	Motor Rotor	1
19	DDMA-19	Motor Bearing (6003z)	1
20	DDMA-20	Bell Housing	1
21	DDMA-21	Fan	1
22	DDMA-22	Screw (4x10mm)	4
23	DDMA-23	Fan Cover	1
24	DDMA-24	Bolt (5x135mm)	4
25	DDMA-25	Electric Panel (110V-60Hz)	1
26	DDMA-26	On/Off Switch	1
27	DDMA-27	Power Cord with Plug	1
28	DDMA-28	Screw (4x22mm)	1
29	DDMA-29	Electric Panel Gasket	1
30	DDMA-30	Support	1
31	DDMA-31	Screw (4x15mm)	1
32	DDMA-32	Condenser	1
33	DDMA-33	Manual Reset Themal Protector	1
34	DDMA-34	Electric Box Assembly	1
35	DDMA-35	Motor Gasket	1
36	DDMA-36	Gearbox Nut (6mm)	10
37	DDMA-37	Gearbox Washer (6mm)	10
38	DDMA-38	Gearbox Bearing (36205)	1
39	DDMA-39	Space Washer B (30mm)	1
40	DDMA-40	Gear (Z68)	1
41	DDMA-41	Gearbox Bearing (36108)	1
42	DDMA-42	Locking Pin (6x10mm)	2
43	DDMA-43	Bolt (6x40mm)	1
44	DDMA-44	Motor (110V-60Hz)	1
45	DDMA-45	Gearbox Washer (4mm)	1
46	DDMA-46	Screw (4x6mm)	8
47	DDMA-47	Gearbox Drive Shaft	1
48	DDMA-48	Stop Ring (30mm)	1

Gearbox and Motor Assembly Parts List

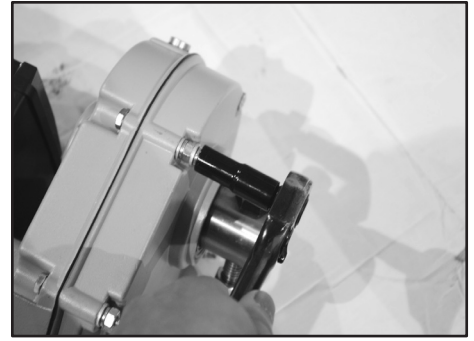




Step 1 - Remove each wheel and face long end out. Thread axle through axle spacer which is between the wheels



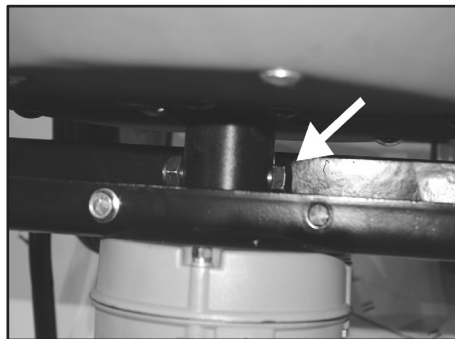
Step 2 - Attach washer with R clip, securing through hole on axle.



Step 3 - Remove outer nuts, lock-washers & flat washers from the 4 studs on the motor gearbox assembly. Check inner nuts to make sure they are tight. (about 20ft. lbs of torque)



Step 4 - Install motor gearbox on back of mixer frame with flat washers, lock washers and nuts to all 4 studs.



Step 5 - Put bolt through hole



Step 6 - Install motor cover with 5/16" x 1/2" whizlock screws & nuts



Step 7 - Slide handles in place, secure with lock pins / lanyards and install grips

How to Mix Concrete

1. You will need approx. 2 1/2 gallons of water.
2. 2-80 lb bags of premix concrete
3. Start Mixer in motion
4. Add 2 gallons of water
5. Add 1-80 lb bag of premix concrete
- NOTE: Mixture will be very sloppy
6. Slowly add 2nd bag of concrete.
7. Add 1/2 gallon of water slowly to obtain desired thickness.

How to Mix Sand & Gravel

1. Use a 8 1/2 X 12" square shovel
2. Portland cement, gravel or round stone and masonry sand.
3. Start mixer in motion.
4. Put in 2 gallons of water.
5. Add 6 shovels full of gravel or round stone.
6. Add 2 shovels full of Portland cement.
7. Slowly add 4 shovels full masonry sand.

Kushlan Products

Limited Warranty Policy

Kushlan Products makes every effort to assure that its products meet high quality and durability standards and warrants to the original retail consumer purchaser of our products (you) that each such product be free from defects in materials and workmanship as follows:

ONE(1)YEAR limited warranty on motors. This warranty covers replacement of parts found to be defective in material or workmanship for a period of 90 days from the date of purchase. This warranty does not apply to typical replacement of parts or assemblies that fail as a consequence of normal wear and tear, for example bushings, tires, belts, and pinion gears.

This warranty does not apply to defects due, directly or indirectly. To misuse, abuse, negligence or accidents repairs or alter actions outside our facilities or the lack of maintenance. WE LIMIT ALL IMPLIED WARRANTIES TO THE PERIOD SPECIFIED ABOVE FROM THE DATE OUR PRODUCT WAS PURCHASED AT RETAIL .EXCEPT AS STATED HEREIN. ANY IMPLIED WARRANTIES OF MERCHANTABILITY AND FITNESS ARE EXCLUDED. SOME STATES DO NOT ALLOW LIMITATIONS ON HOW LONG THE IMPLIED WARRANTY LASTS. SO THE ABOVE LIMITATION MAY NOT APPLY TO YOU. WE SHALL IN NO EVENT BE LIABLE FOR DEATH, INJURIES TO PERSONS OR PROPERTY OR FOR INCIDENTAL, CONTINGENT, SPECIAL OR CONSEQUENTIAL DAMAGES ARISING FROM THE USE OF OUR PRODUCTS. SOME STATES DO NOT ALLOW THE EXCLUSION OR LIMITATION OF INCIDENTAL OR CONSEQUENTIAL DAMAGES, SO THE ABOVE LIMITATION OR EXCLUSION MAY NOT APPLY TO YOU.

To take advantage of this warranty, the product or part must be returned for examination, postage prepaid. To Kushlan Products. Proof of purchase date and an explanation of the complaint must accompany the merchandise. If our inspection discloses a defect, we will either repair or replace the product, at our election or we may elect to refund the purchase price if we cannot readily and quickly provide you with repair or replacement, if you are willing to accept such refund. We will return the repaired product or replacement at our expense, but if we determine there is no defect, or that the defect resulted from causes not within the scope of our warranty, then you must bear the cost of storing and returning this product. This warranty gives you specific legal rights, and you may also have other right which vary from state to state. For service. Contact Kushlan Products 10601 S. Sam Houston Parkway W., #140 Houston, TX 77071 o Phone (281)313-2506 Fax (281)313-2509

