

1.2 Linear Translator with Aluminum Frame

Overview

The Linear Translator with Aluminum Frame (LBS) is supported by a high-strength aluminum alloy frame, with high stability and large load capacity. It also features a self-locking function, making it capable of carrying heavy components for extension and retraction motion along the Z-axis. Additionally, we offer a version with an adjustable flange (LPABS), which is based on the standard linear translator with an aluminum frame. The flange angle can be adjusted by $\pm 3^\circ$ through the adjustment of three screws for precise positional control.



LBS



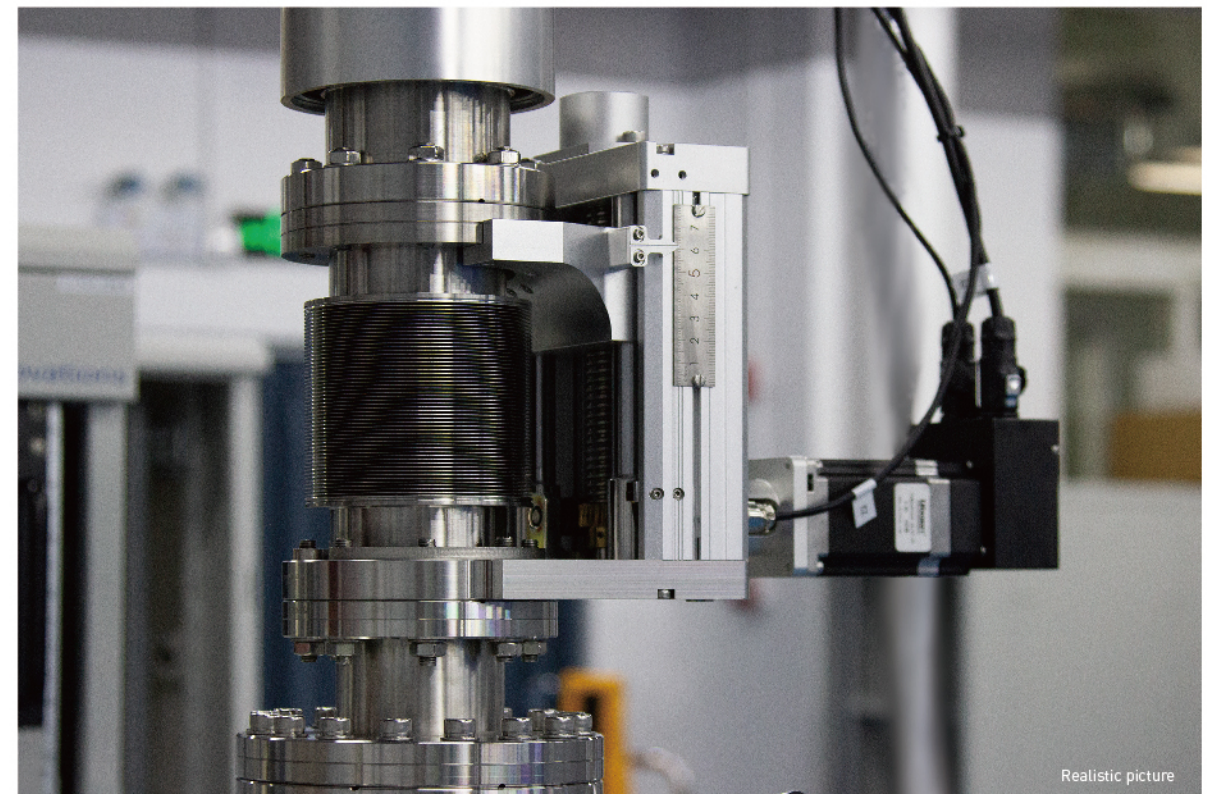
LPABS



LBS (electric)



LPABS (electric)

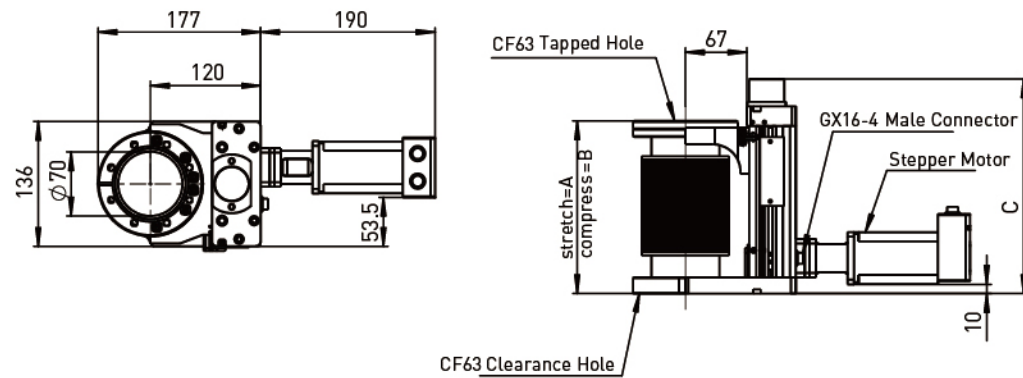


Realistic picture

Features

- Working pressure: 1bar ~10⁻¹¹ mbar
- Adjustable angle: $\pm 3^\circ$ (LPABS)
- Maximum baking temperature: 150°C (Remove electric components)
- Welded corrugated pipe material: SS316L
- Can be installed in any direction
- Upper mounting flange: CF Flange, Tapped Hole
- The scale increments by 1mm
- Lower mounting flange: CF Flange, Clearance Hole
- Acceptable customization

Specifications

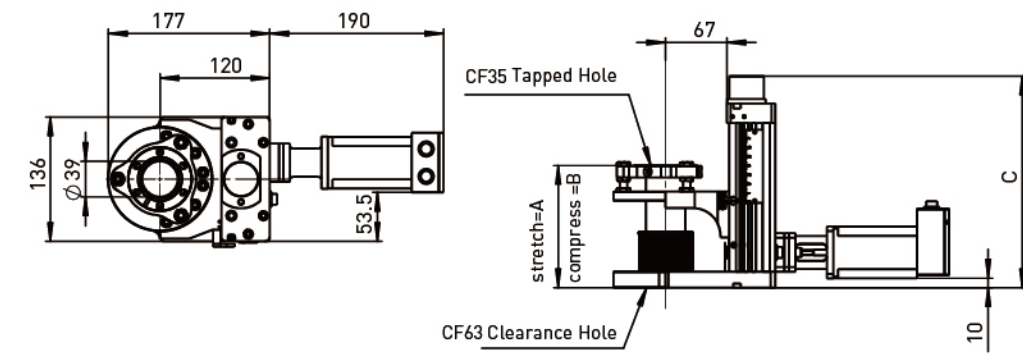


LBS (electric) Model diagram

Parameters

| Product | | Linear Translator with Aluminum Frame | | | | | |
|-----------------|------|---------------------------------------|---------------|------------|---------------|------------|---------------|
| Mounting flange | | CF63 | | | | | |
| Flange | | CF63 | | | | | |
| Flange OD | mm | 114 | | | | | |
| | inch | 4.5 | | | | | |
| Stroke (mm) | | 50 | 100 | 150 | | | |
| A stretch (mm) | | 161 | 213 | 281 | | | |
| B compress (mm) | | 111 | 113 | 131 | | | |
| C (mm) | | 207 | 259 | 327 | | | |
| Actuation | | Manual | Stepper Motor | Manual | Stepper Motor | Manual | Stepper Motor |
| Resolution (mm) | | 1 | 0.005 | 1 | 0.005 | 1 | 0.005 |
| Weight (kg) | | 6.7 | 8.0 | 7.5 | 8.8 | 8.4 | 9.7 |
| Model number | | LBS63L50M | LBS63L50A | LBS63L100M | LBS63L100A | LBS63L150M | LBS63L150A |
| Order code | | 3041100001 | 3041100002 | 3041100005 | 3041100006 | 3041100007 | 3041100008 |

Specifications



LPABS (electric) Model diagram

Parameters

| Product | | Linear Translator with Aluminum Frame and Port Aligner | | | |
|-----------------|------|--|---------------|--------------|---------------|
| Mounting flange | | CF35 | | | |
| Flange | | CF63 | | | |
| Flange OD | mm | 114 | | | |
| | inch | 4.5 | | | |
| Stroke (mm) | | 100 | 150 | | |
| A stretch (mm) | | 234 | 302 | | |
| B compress (mm) | | 134 | 152 | | |
| C (mm) | | 259 | 327 | | |
| Actuation | | Manual | Stepper Motor | Manual | Stepper Motor |
| Resolution (mm) | | 1 | 0.005 | 1 | 0.005 |
| Weight (kg) | | 7.4 | 9.1 | 8.2 | 9.9 |
| Model number | | LPABS63L100M | LPABS63L100A | LPABS63L150M | LPABS63L150A |
| Order code | | 3041100019 | 3041100020 | 3041100021 | 3041100022 |