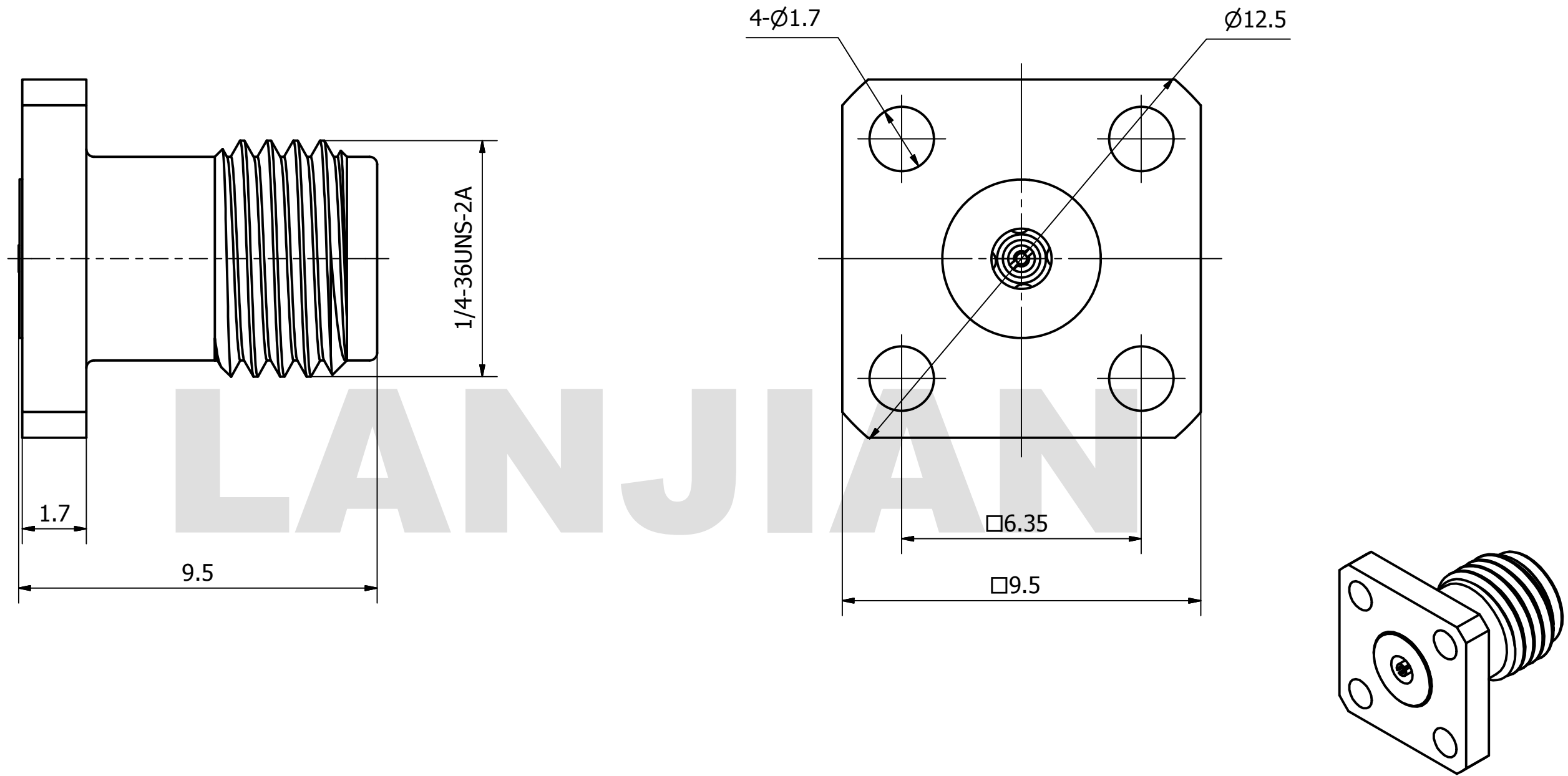


# PRODUCT DATA SHEET



**MATERIAL:**  
 BODY: STAINLESS STEEL PER AMS-5640,  
 ALLOY UNS S30300  
 JACK: BERYLLIUM COPPER PER ASTM B196.  
 ALLOY NO. UNS C17300  
 INSULATOR: PEEK

**PERFORMANCE:**  
 IMPEDANCE: 50 OHMS  
 FREQUENCY: DC TO 40 GHz  
 VSWR:  $\leq 1.30$

THIS DOCUMENT CONTAINS CONFIDENTIAL AND PROPRIETARY INFORMATION THAT CANNOT BE REPRODUCED OR DIVULGED, IN WHOLE OR IN PART, WITHOUT WRITTEN AUTHORIZATION FROM "LANJIAN ELECTRONICS"	MATERIAL :			<b>LANJIAN ELECTRONICS</b> 38 Hengtong Road, Xinqu Dingmao Zhenjiang, 212009, Jiangsu, P. R. China	
	UNLESS OTHERWISE SPECIFIED: DIMENSIONS IN MM				
	TOLERANCES :			TITLE <b>2.9200087/1145-1</b> straight jack microstrip connector	
	X.X	$\pm 0.20$	ANGULAR : $\pm 1^\circ$		
	X.XX	$\pm 0.10$	FILLETS R/C : $\pm 0.10$		
	X.XXX	$\pm 0.01$	SURFACE FINISH : Ra 1.6	DEBURR AND BREAK SHARP EDGES	
	NAME	DATE	SIGNATURE	DWG No. GCPZ3.660.C.003	
DRAWN				REV.	
CHK'D				DO NOT SCALE THE DRAWING	
APPV'D				PAGE 1 / 1	
MFG					
PROJECTION		SIZE	SCALE		
		A3	8 : 1		