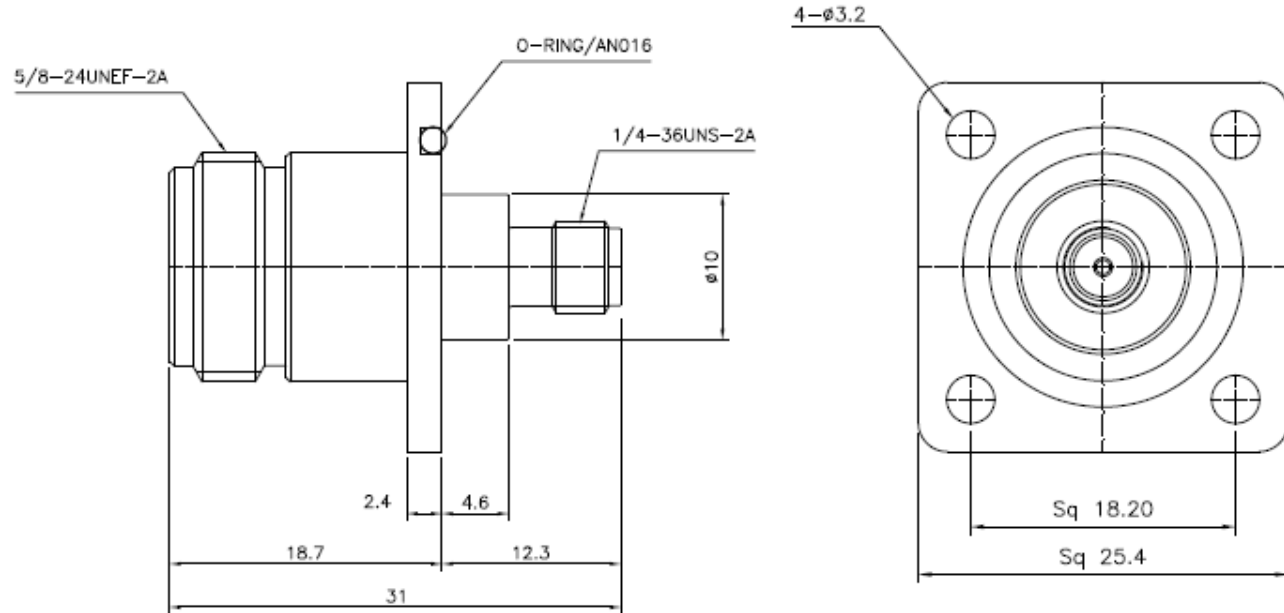


SPECIFICATIONS:

Impedance: 50 Ohm
 Frequency: DC-11 GHz
 VSWR: 1.20 max.
 Operating temp. : -55° C + 155° C

Part	Material	Plating
Body	Brass	Nickel
Center Contact	Beryllium Copper	Gold
Insulator	PTFE	---
O'Ring	Silicone Rubber	---

RoHS Compliant



Dimensions are for reference only, and are subject to change without notice.



Premier RF
 17 Roslyn CT
 Patchogue, NY 11772
 PH: 631-447-3804
 sales@premier rf.com
 www.premier rf.com

	PART NUMBER	PRF-AD1F2F4
02/12/2012	DESCRIPTION	SMA FEMALE TO N FEMALE ADAPTER, 4 HOLE FLANGE
APPROVED		
A. Ianacci		