

PROPRIETARY AND CONFIDENTIAL  
 THE INFORMATION CONTAINED IN THIS DRAWING IS THE SOLE PROPERTY OF VECTOR ELECTRONICS & TECHNOLOGY, INC. ANY REPRODUCTION IN PART OR AS A WHOLE WITHOUT THE WRITTEN PERMISSION OF VECTOR ELECTRONICS & TECHNOLOGY, INC. IS PROHIBITED.

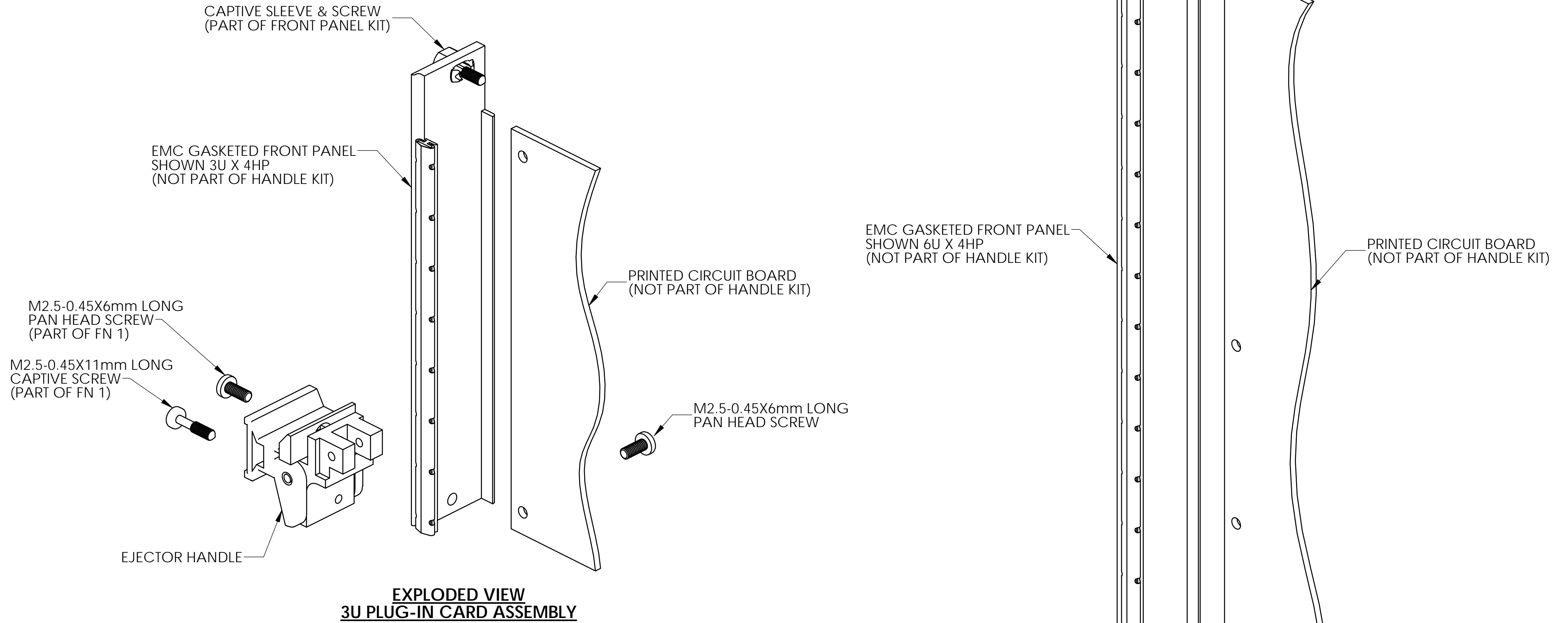
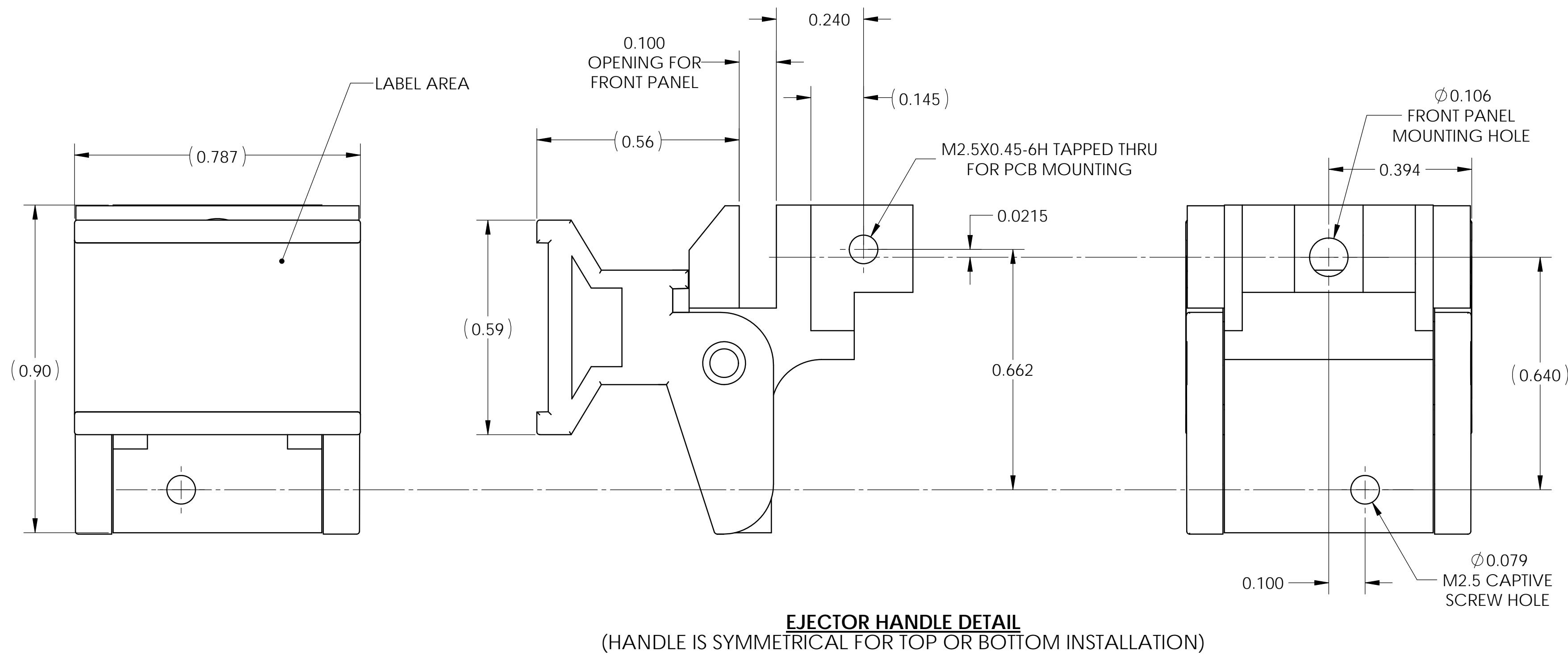
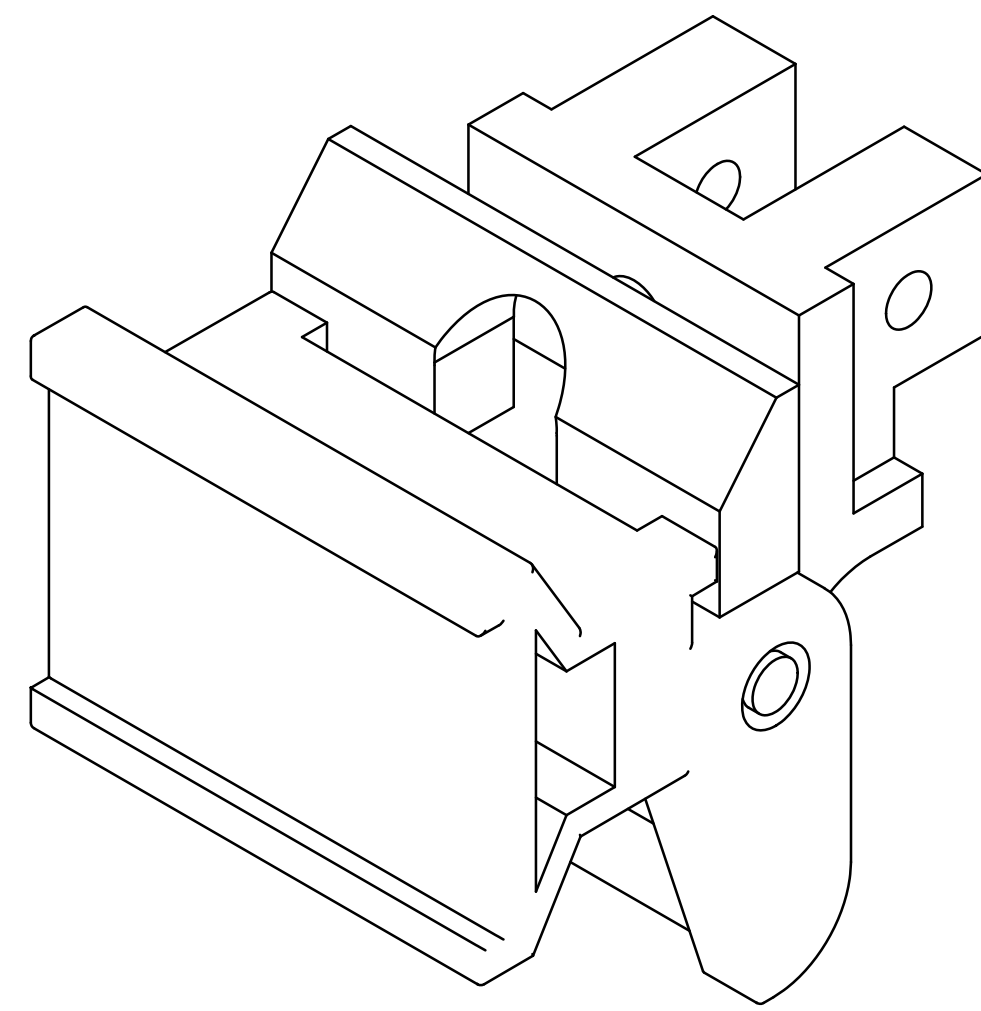
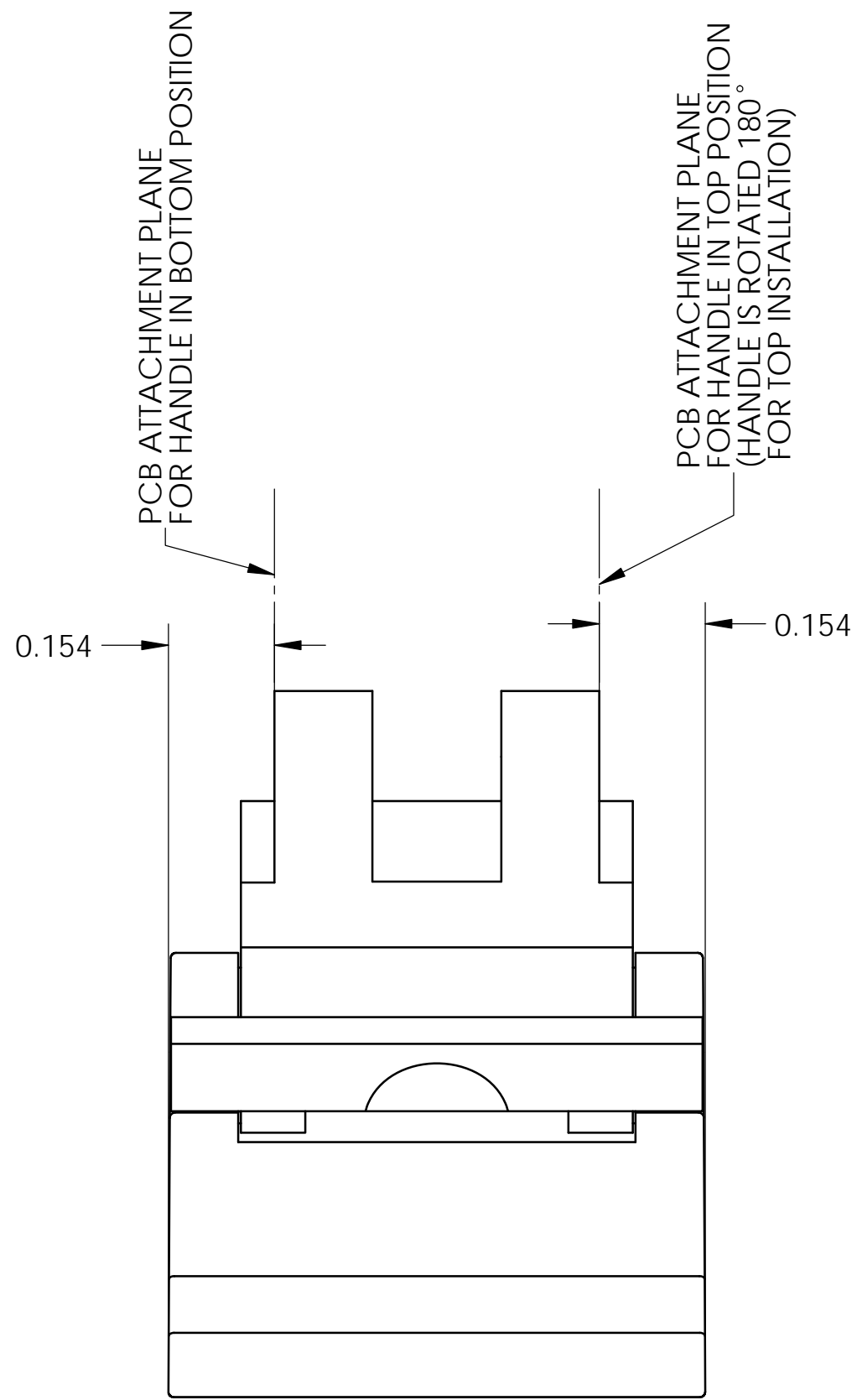
REVISIONS				
ZONE	REV	DESCRIPTION	DATE	APPROVED
ALL	A	INITIAL RELEASE	07/22/15	

**90100043 PARTS LIST**  
 (FOR 3U FRONT PANEL ASSEMBLY)

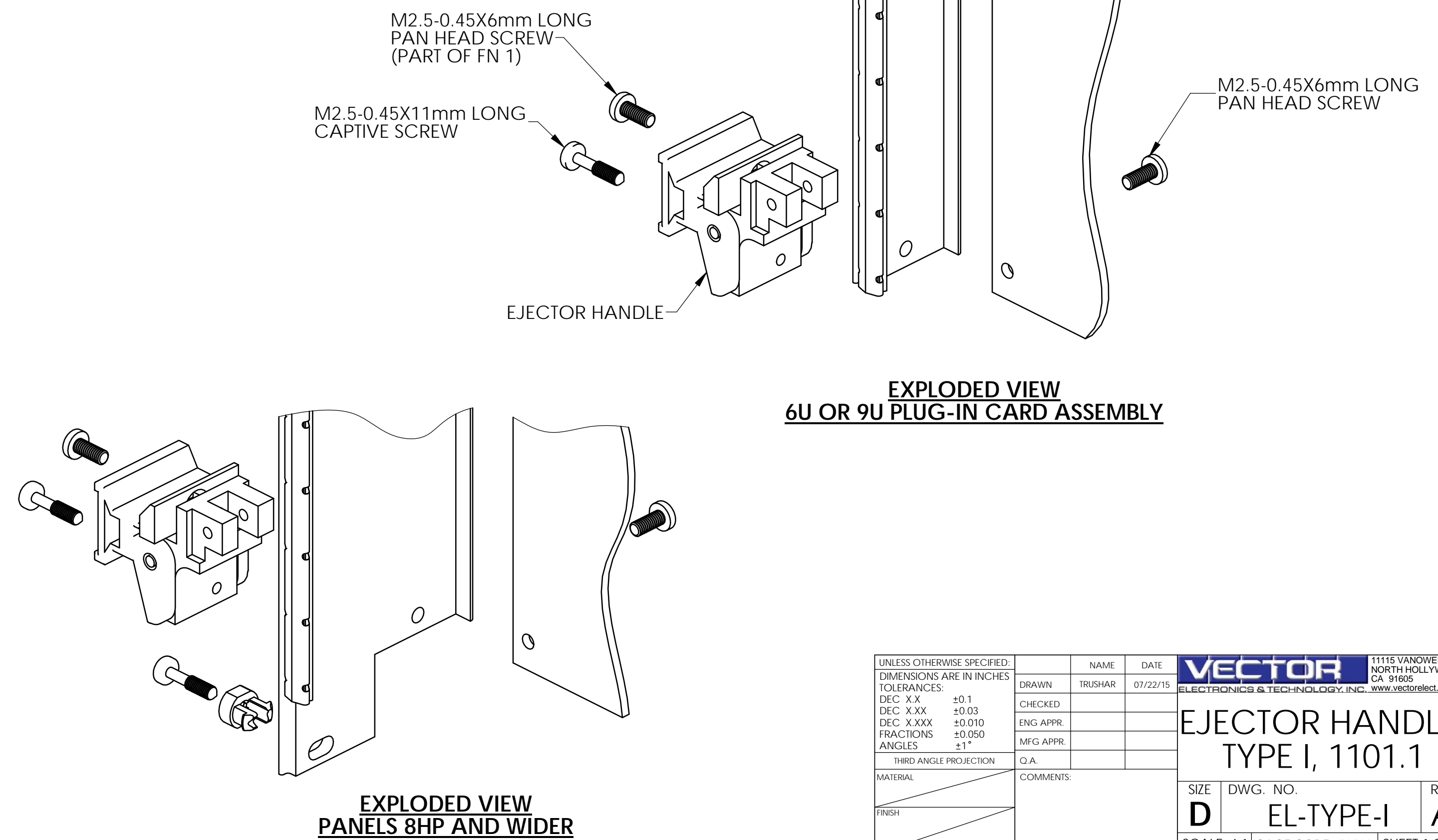
FIND NO	DESCRIPTION	PART NO	QTY	U/M
1	EJECTOR HANDLE, TYPE I	90100043#	1	EACH
2	SCREW, PAN HEAD, M2.5-0.45X6mm	88000066	1	EACH
3	ASSEMBLY INSTRUCTION SHEET	IN406	1	EACH

**90100044 PARTS LIST**  
 (FOR 6U OR 9U FRONT PANEL ASSEMBLY)

FIND NO	DESCRIPTION	PART NO	QTY	U/M
1	EJECTOR HANDLE, TYPE I	90100043#	2	EACH
2	SCREW, PAN HEAD, M2.5-0.45X6mm	88000066	2	EACH
3	ASSEMBLY INSTRUCTION SHEET	IN406	1	EACH



**EXPLODED VIEW  
 3U PLUG-IN CARD ASSEMBLY**



**EXPLODED VIEW  
 6U OR 9U PLUG-IN CARD ASSEMBLY**

**EXPLODED VIEW  
 PANELS 8HP AND WIDER**

UNLESS OTHERWISE SPECIFIED: DIMENSIONS ARE IN INCHES TOLERANCES:	DRAWN	TRISHAR	DATE	07/22/15
DEC .X.X ±0.1	CHECKED			
DEC .X.XXX ±0.03	ENG APPR			
DEC .X.XXXX ±0.010	MFG APPR			
FRACTIONS ±0.050	Q.A.			
ANGLES ±1°	COMMENTS:			
THIRD ANGLE PROJECTION				
MATERIAL				
FINISH				

VECTOR ELECTRONICS & TECHNOLOGY, INC. 11115 VANDERBILT  
 NORTH HOLLYWOOD, CA 91655

**EJECTOR HANDLE, TYPE I, 1101.1**

SIZE	DWG. NO.	REV
D	EL-TYPE-I	A

SCALE: 4:1 CAGE CODE: 82893 SHEET 1 OF 1