

Electric Submersible Pumps

HS HSZ TRASH PUMP



HS TRASH PUMP

Durable trash pumps in two sizes—a 1HP 3-inch discharge and a 1/2HP 2-inch discharge. Both designed to pump sand, solids and debris with minimal wear and clogging.

HSZ AUTOMATIC TRASH PUMP

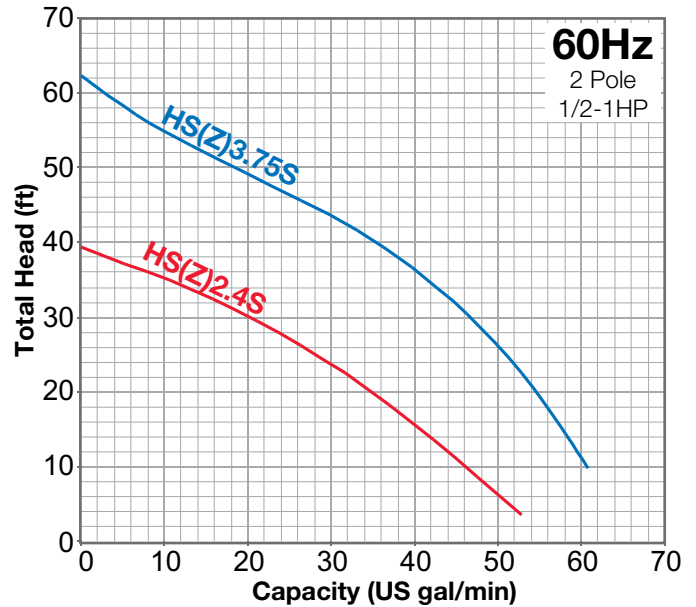
Automatic trash pumps in two sizes, designed to pump sand, solids and debris with minimal wear and clogging.

HS HSZ TRASH PUMP Features

- Built-in shaft mounted agitator suspends solids.
- Urethane Semi Vortex Impeller for maximum durability and pump performance.
- Dual Inside Mechanical Seal With SiC faces provides longest operational life.
- Oil Lifter provides lubrication of the seal faces. (Patented)
- V-Ring Seal design protects mechanical seal from abrasive particles.

Optional Accessories

- Vertical Discharge Coupling.
- 2-inch NPT coupling available for HS(Z)3.75S.

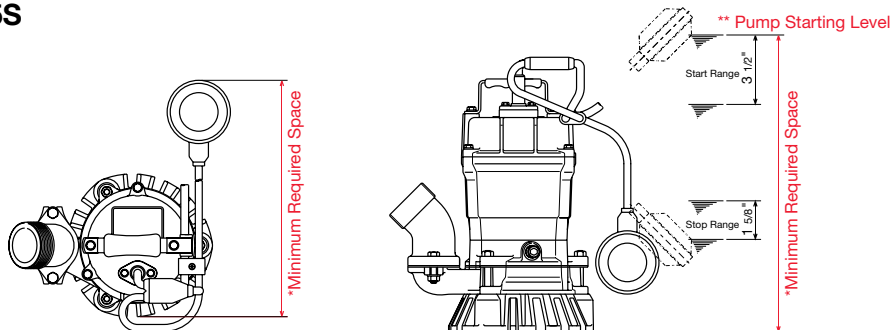


Certified by Intertek Testing Service to UL and CSA standards for submersible construction pumps.

HS2.4S / 3.75S

Model	Motor Output (HP)	Phase	Discharge Bore (inch)	Cable Length (ft)	Dimension (inch)		Continuous Running Water Level (inch)	Shipping Weight (lbs.)
					Diameter	Height		
HS2.4S	1/2	Single	2	20	10 1/16	12 15/16	3 1/2	30
HS3.75S	1	Single	3	32	12 7/16	15 1/4	3 1/2	49

HSZ2.4S / 3.75S



Model	Motor Output (HP)	Phase	Discharge Bore (inch)	Cable Length (ft)	Dimension (inch)		**Pump Starting Water Level (inch)	Shipping Weight (lbs.)
					*Diameter	*Height		
HSZ2.4S	1/2	Single	2	20	13 1/2	15 1/8	15 1/8	30
HSZ3.75S	1	Single	3	32	13 1/2	17 1/2	17 1/2	49

*Minimum Required Space

**Please refer HSZ dimension drawing above