

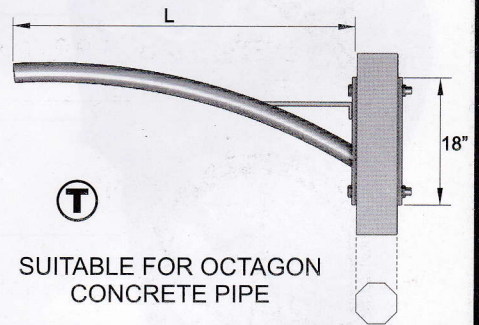
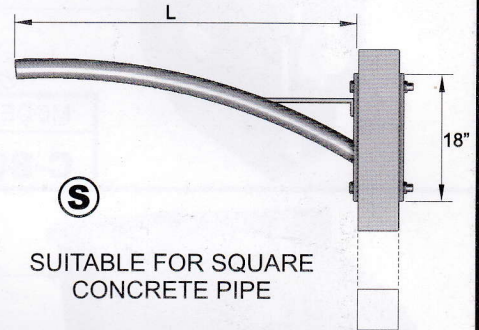
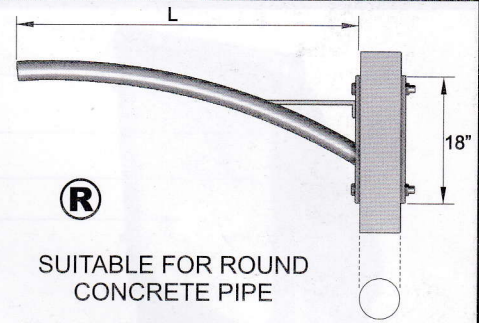
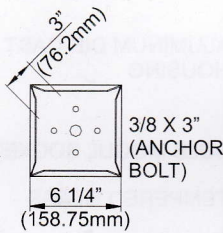
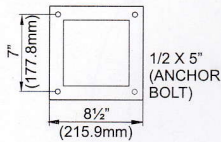
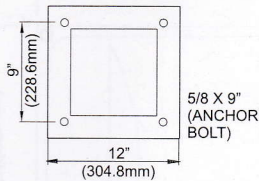
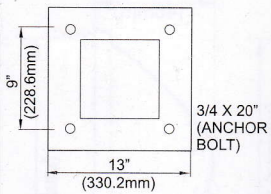
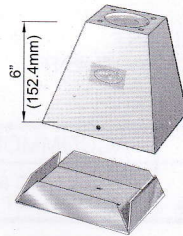
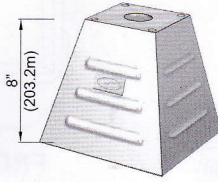
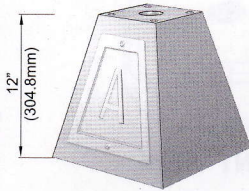
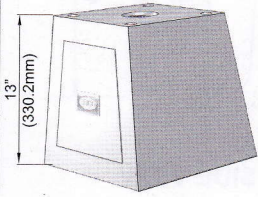
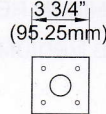
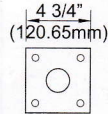
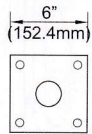
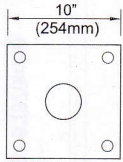
AMCO STEEL PEDESTAL POST BASE, ARM & BRACKET

MODEL NO.
B-10-13

MODEL NO.
B-6-12

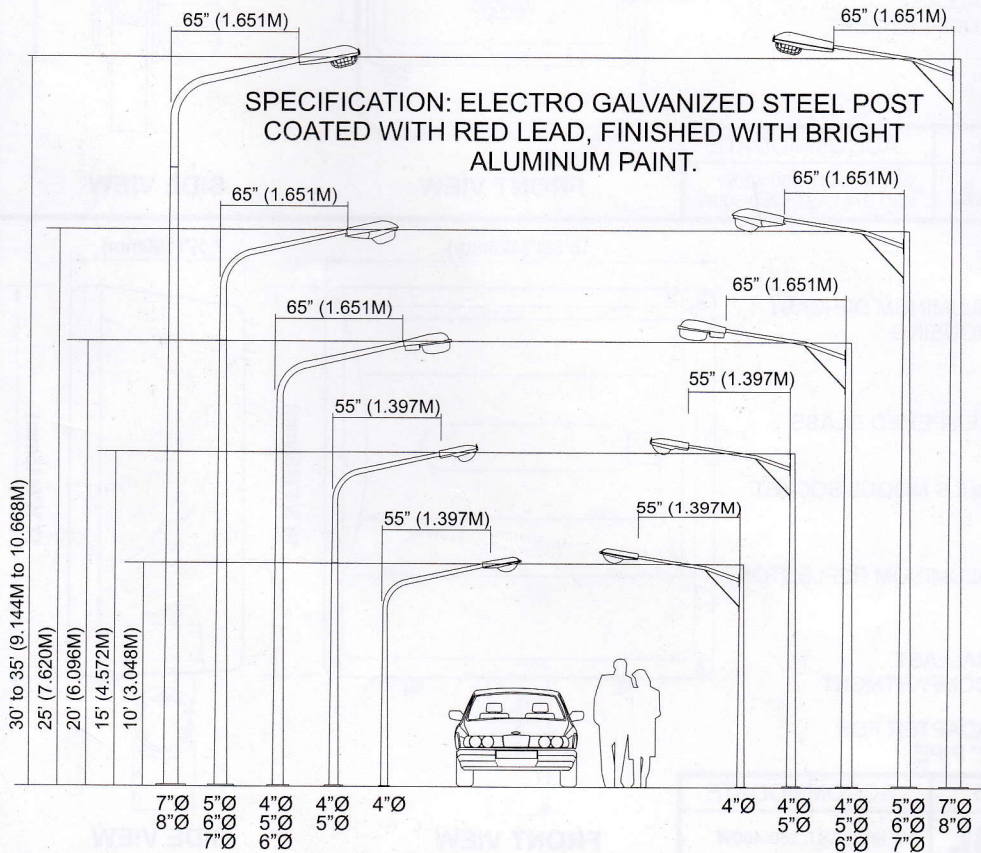
MODEL NO.
B-6-9

MODEL NO.
B-3-6



AMCO STEEL TAPERED LAMP POST SINGLE ARM / BRACKET LAMP POST (ABSOLUTE SCALE & PROPORTION)

SPECIFICATION: ELECTRO GALVANIZED STEEL POST COATED WITH RED LEAD, FINISHED WITH BRIGHT ALUMINUM PAINT.



FOUNDATION PLAN DETAIL

