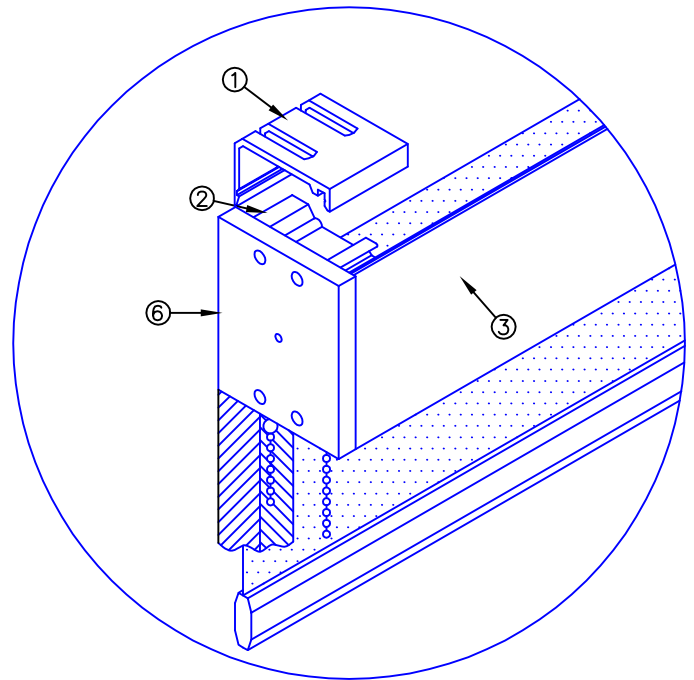
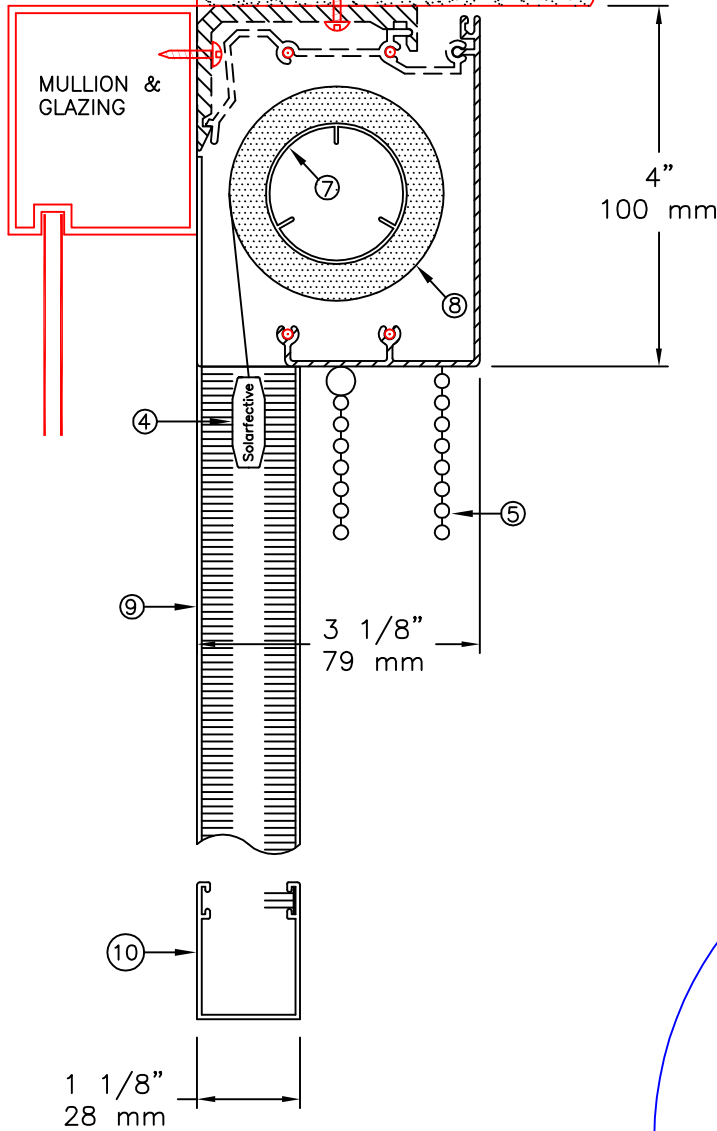


3/4" PLYWOOD
BLOCKING
(BY OTHERS)

THE TELESHADE CAN BE MOUNTED
TO THE CEILING OR TO THE
FACE OF THE MULLION



NOTES:

1. MOUNTING ANGLE
2. SPRING CLIP
3. EXTRUDED ALUMINUM FASCIA
4. EXTRUDED ALUMINUM EXTERIOR HEMBAR
5. STAINLESS STEEL BALL CHAIN
6. ABS END BRACKETS
7. 1 1/2" ϕ EXTRUDED ALUMINUM TUBE
8. FABRIC: 1%, 3%, 5%, 10% OPENNESS OR BLACKOUT
9. MANUAL BLACKOUT SIDE CHANNELS
10. MANUAL BLACKOUT BOTTOM CHANNELS

Solarfective

55 Hymus Road, Scarborough
Ontario, Canada. M1L 2C6

Tel. (416) 421-3800
Fax. (416) 421-8424

Web Site: www.solarfective.com
Email: shades@solarfective.com

TELESHADE SYSTEM
WITH SIDE AND BOTTOM CHANNELS

PROJECT: -

DATE:
JAN. 01, 2015

SCALE:
N.T.S.

FILE No.
-

DRAWN:
ADIE

DWG. No.
RD-1

REV
0