

Drapery Hardware Solutions

kirsch.

Wood Trends Rod over
Superfine Traverse Rod
*Creating layered draperies with
Wood Trends & Basic Drapery Hardware*

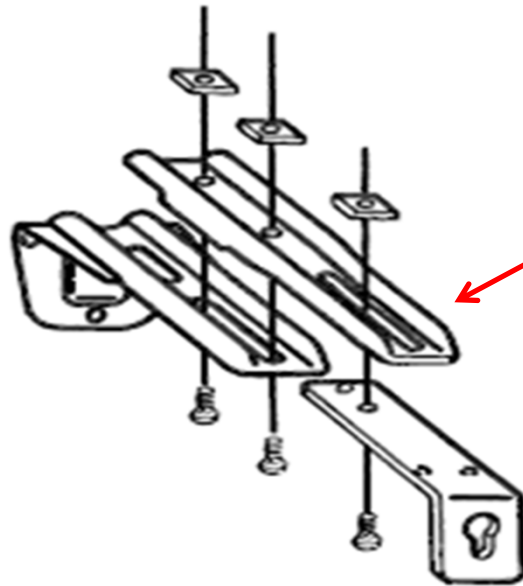


kirsch

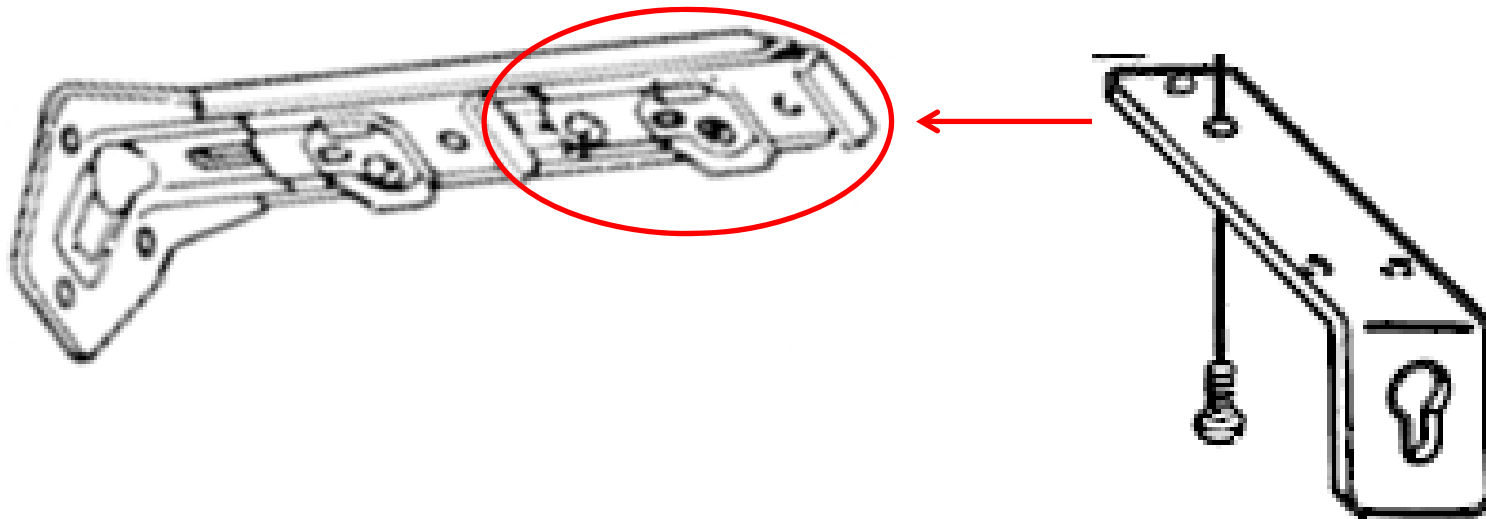
Wood Trends over Superfine Traverse



1. Start with Wood Trends
Hidden Metal Support,
part # 5620E063,
Remove bracket fore-part

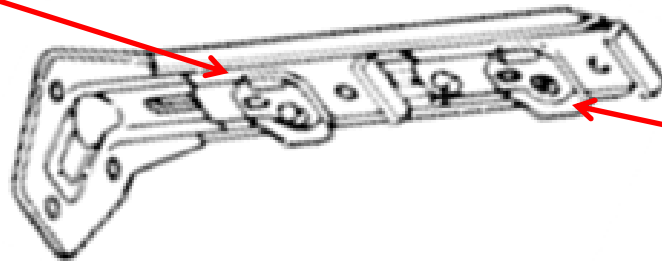


2. Add Wood Trends bracket fore-part to front position of Superfine Double bracket (part # 3508025)

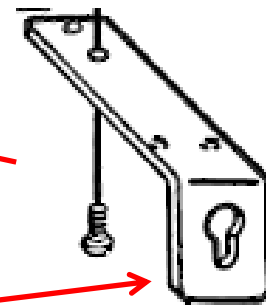


3. Use back position of double bracket to install Superfine Traverse rod, use front position to install Wood Trends rod

Superfine
Traverse Rod



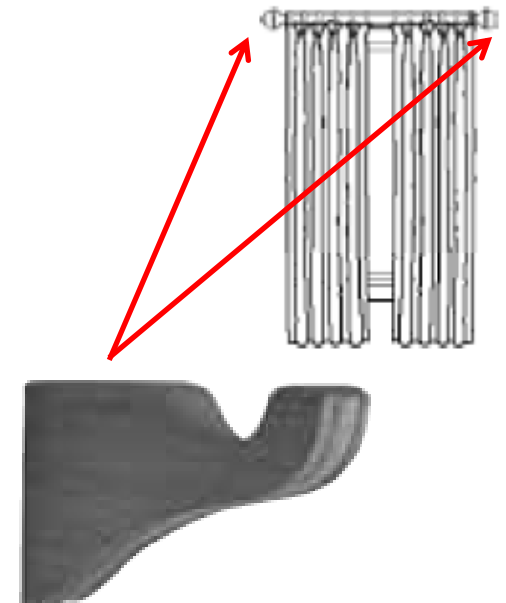
Wood Trends
Pole



Hanging heavy treatments off of the Wood Trends Pole?

The aforementioned instructions work great when hanging a valance or light weight panels from the Wood Trends pole... but what if the front-treatments are heavy?

- 1) Order your Wood Trends pole at least XX" wider than the basic traverse under-treatment.
- 2) Add pair of Wood Trends brackets with 6" returns
- 3) Place brackets 2" wider than Superfine under-treatment of Wood Trends pole



Wood Trends over Superfine Traverse

kirsch®

Download the PDF "1 - Pager" of this training

kirsch

Drapery Hardware Solutions:
Decorative Wood over Basic Traverse
Wood Trends Rod over Superfine Rod

Kirsch DH by Application

1. Start with Wood Trends Hidden Metal Support, part # 5620E063, Remove bracket fore-part
2. Add Wood Trends bracket fore-part to front position of Superfine Double bracket (part # 3508025)
3. Use back position of double bracket to install Superfine Traverse rod, use front position to install Wood Trends rod

ATTACH SUPPORT TO BRACKET
— 561003 or 561002

Hanging heavy treatments Off of the Wood Trends Pole?
The instructions above work great when hanging a valance or light weight panels from the Wood Trends pole... but what if the front treatments are heavy?

- 1) Order your Wood Trends pole at least XX" wider than the basic traverse end treatment
- 2) Add pair of Wood Trends brackets with 6" returns
- 3) Place brackets 2" wider than Superfine under-treatment of Wood Trends pole

©2012 Kirsch

- A summary of this training is available in a 1-page PDF
- To Download the PDF, visit your Kirsch Distributor's website
- Also see other great *Kirsch Drapery Hardware Solutions* training shorts





Thank You!



kirsch