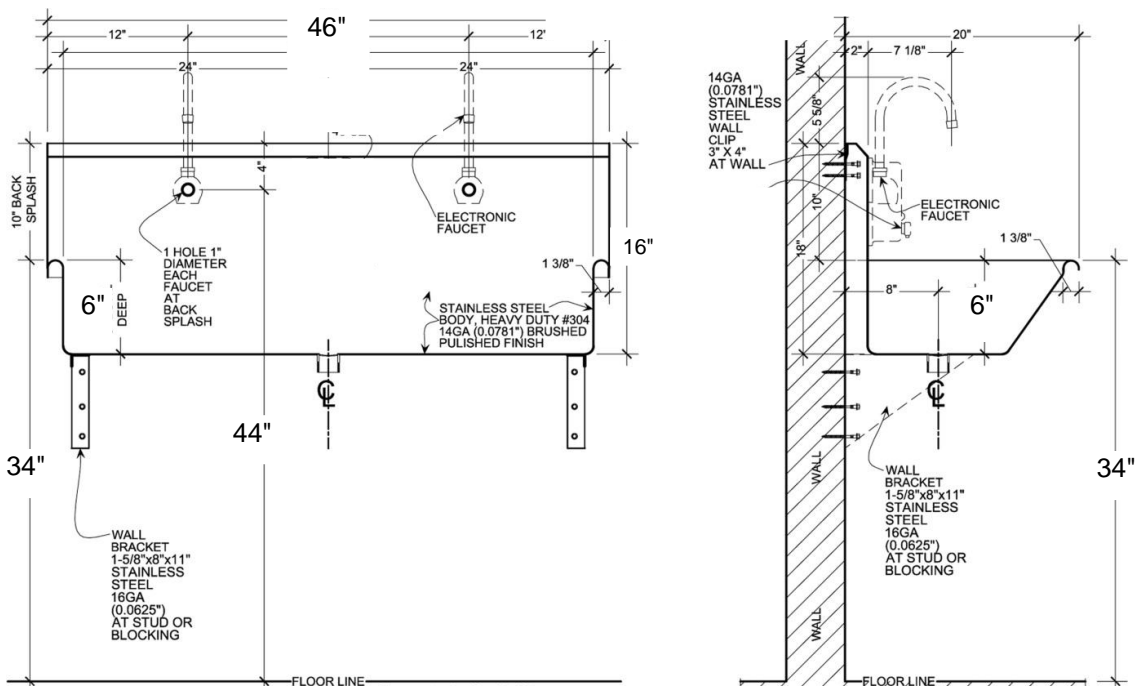




Wicketts Stainless

SPECIFICATION

Commercial Sink Heavy Duty
Wash Sink
WWT-Series



| Model Number | L | W | L1 | D | W1 | BS |
|--------------------|----|----|----|---|----|----|
| WWT-4620-SF-WB-ADA | 46 | 20 | 43 | 6 | 16 | 10 |

WARNING:
 This product can expose you to chemicals, which are known to the State of California to cause cancer. For more information, visit www.P65Warnings.ca.gov.

Engineering Specification:

14 gauge, type 304 stainless steel wash sink. Top 1-3/8" rolled rims. 1 1/2" welded in grid drain. Exposed surfaces polished to a satin finish. Supported on (2) wall brackets and clips.

Wicketts Stainless, LLC.
 2618 San Miguel Dr. Bldg. # 376
 Newport Beach, CA 92660
 Tel: 951-858-2548
 Fax: 951-638-9059
www.wickettsstainless.com
sales@wickettsstainless.com



Approved for Manufacturing
 Company: _____
 Signature: _____
 Print: _____ Date: / /