

# Trail Gazette

Jan - Feb 2022

President Jennifer Nielsen  
Lake Oswego, OR  
503.522.3163

[antiquemotorcycleoregon@gmail.com](mailto:antiquemotorcycleoregon@gmail.com)

Vice President Martin Doerfler  
Keizer, OR  
503.999.5930



Treasurer John Davey  
Eugene, OR  
541.852.8023

Activities Coordinator Bill Quaccia  
Ashland, OR  
541.944.0491

Secretary Tom Nielsen  
Lake Oswego, OR  
503.522.2124

## In this issue

- Movie at Powerland – Feb 19<sup>th</sup>
- President's Letter
- Help Needed for the July Road Run
- Western Antique Aeroplane & Automobile Museum
- Constant Velocity Carbs – I Didn't Know it Meant You Couldn't Slow Down
- Celebrities on Motorcycles
- Activity Calendar
- Member Discounts!
- Classified Ads
- Minutes from Business Meetings

## February 19 Noon Event

### MOVIE:

### *Then Came Bronson*

At NW Vintage Car and Motorcycle Museum,  
Powerland, 3995 Brooklake Rd NE, Brooks, OR

**Pizza, Popcorn, and Soft Drinks**

RSVP to Jen  
503.522.3163



**ALWAYS REMEMBER THAT  
YOU'RE UNIQUE.**

**JUST LIKE EVERYONE  
ELSE.**




## The Pres Letter

Greetings to you all in our first newsletter of 2022!

A big thank you to those of you who provided input when you were called by an officer, and to those of you who got back to Tom and me when we reached out to you by letter. We listened to your feedback and have already implemented some of it. As I have said before, this is your club.

One of the changes we have made is scheduling our rally in July, freeing y'all up for other September events. Please continue to keep the input coming!

Speaking of our rally, you may have heard a rumor that there is a great deal of work that goes into putting one of these things on. I can confirm that the rumor is true. To the right of my letter,  we have included some tasks we still need assistance with. If you can help, please reach out as soon as possible, as we need to continue moving forward to make the rally a rali-i-tee!! (Ha ha!! Couldn't help the pun!)

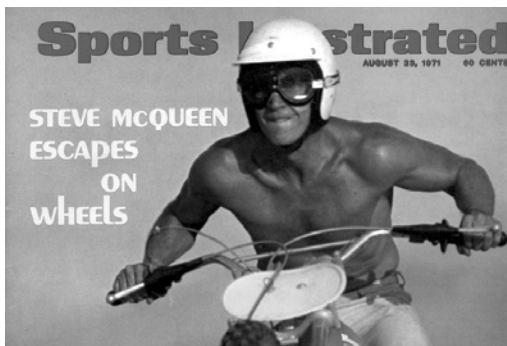
In another matter needing your attention, we are in need of officers for next year. Our elections will be held this summer, and using my fingers, that looks to be four to five short months away. Several current officers will not be seeking re-election, myself included. Let me break it down another way.

**ZERO officers = ZERO club.**  
**ZERO club = ZERO rally plus ZERO newsletter.**  
**Are you starting to understand the math?**

Please take a moment to see what you can do to help.

Peace out,  
Jen  
503.522.3163

*"I don't snore, I just dream I'm a motorcycle."*  
Anonymous



## Help Needed for July Road Run

We need chase vehicle drivers and vehicles to tow a trailer for each of three days: Tuesday to Thursday, July 12 to 14. The club will reimburse your gas and you get in free to the banquet. If we get three folks to volunteer for one day, we have it made.

If you can help, contact Kodiak Bill (aka Bill Quaccia) at 541.944.0491.

We need help with clean up each evening after the rides and on Thursday after the banquet. We are fortunate to have the facilities at the NWVCMM and want to leave them nicer than we found them.

Thanks



## Western Antique Aeroplane & Automobile Museum

By Tom Nielsen

Jen and I spent a long weekend in Hood River last week. While there, I visited the WAAAM. Although clearly focused on their 100+ aircraft and 100+ antique cars, they had a nice collection of antique motorcycles. Nestled around the planes and cars were Harley's, Indians, Moto-Guzis, Hondas, Cushmans, and a Douglas. The museum has 3-1/2 acres under cover. And they boast that 90+ percent of the aircraft and vehicles are operational.



1914 Indian Model D



1927 Harley Davidson JD



1933 Harley-Davidson VLE from 2014 Cannonball



1916 Sopwith Scout Pup



1938 Indian Four



**Western Antique Aeroplane & Automobile  
Museum (cont'd)**



1924 Douglas



1942 Harley-Davidson WLA



1936 Cord 810 Westchester Sedan



1917 Curtiss JN-4D Jenny



1949 Harley-Davidson WL



White M3A1 Scout Car - WWII

Western Antique Aeroplane & Automobile  
Museum (cont'd)



1947 Indian Chief



Cushman Collection, 1958-1959



1949 Harley-Davidson FL



1932 Willy's Overland Model 6-90



Stinson L-5 Sentinel 1942 Observation Plane



## CONSTANT VELOCITY CARBS

I Didn't Know it Meant You Couldn't Slow Down  
By Jerry Tritz

40 years ago, my well-meaning neighbor, John, offered me a ride on his black '81 Suzuki 750 with one of those bulbous windjammer fairings. This was a generous offer since he had never seen me leave on anything two-wheels ever and the bike was pretty new. Plus, my garage, across from his, was the scene of such freakish surgery as the installation of a '64 Suburban drive train into a '51 Willys Jeepster (stock brakes mind you) and the resuscitation of a '73 RD 350B lacking an instrument cluster.

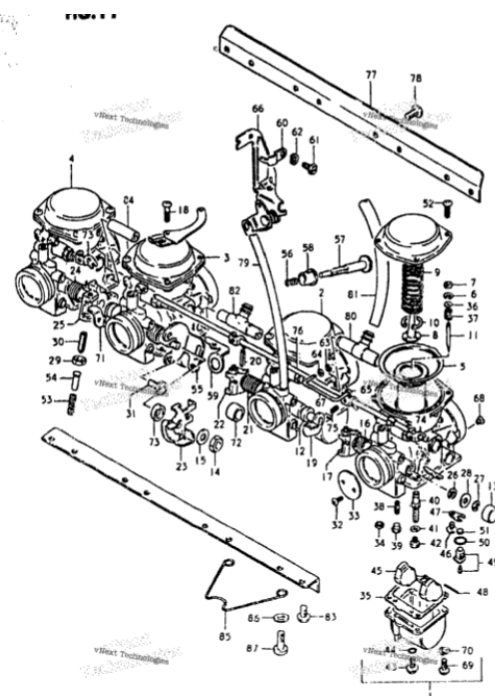
Our neighborhood, near north Chicago, was gentrifying rapidly and bringing a higher class of automobiles in a much lower-class traffic density. The bike looked top heavy but as shiny as gold fish bowls at a carnival. What could go wrong?

I made it to the end of the alley behind Nedermeyers and found that the brakes worked perfectly and the forks dived not too much under the added fairing weight. The close traffic meant the farthest one could ride without stopping was two blocks and I had made three legs of my square pattern and was returning on the last leg before I could get enough space and speed to feel the breeze on Diversey Ave. I had to slow as the cage in front of me slowed for traffic. I slacked the throttle and to my amazement MY SPEED INCREASED. There was enough space for me to chop the throttle and comfortably brake, twenty feet maybe, and I realized this was NO cable actuated conventional throttle slide. No drama here. Home was a few blocks away.

I should have gone for an all-day ride.



Diversey Ave. In Chicago, IL



Model	Suzuki GS 750 E
Year	1981
Category	Sport
Rating	★★★★☆ 3.6 Check out the <a href="#">detailed rating</a> of racing track capabilities, engine performance, accident risk, etc. Compare with any other bike.

### Engine and transmission

Displacement	748.0 ccm (45.64 cubic inches)
Engine type	In-line four, four-stroke
Power	63.0 HP (46.0 kW) @ 8800 RPM
Top speed	198.0 km/h (123.0 mph)
Compression	8.7:1
Bore x stroke	65.0 x 56.4 mm (2.6 x 2.2 inches)
Valves per cylinder	2
Fuel control	Double Overhead Cams/Twin Cam (DOHC)
Cooling system	Air
Gearbox	5-speed

## Celebrities on Motorcycles

Who are these familiar faces on two wheels? Answers on page 8.



On a January 13, 2022 interview with Keanu Reeves, Stephen Colbert asked him fifteen questions. Here are some relevant to our interests:

### **What is your favorite smell?**

*"Today I'm going to pick my 1974 Norton Commando when the engine warms up when you've been given it a good go. The oil in the engine heats up, and the smell that comes off the engine is really good."*

### **Describe the rest of your life in five words.**

*"Health, love, friendship, create art, motorcycles"*





<b>2022 Activity Calendar Oregon Trail Chapter, AMCA</b>	
<b>Month</b>	<b>Activity</b>
2 <sup>nd</sup> Tuesday Each Month 7 PM	<b>OTC Business Conference Call</b> All members welcome Call 971-256-0996, then enter code 412341
Feb 19 Noon	<b>Movie at NWVCM</b> <i>Then Came Bronson</i> Powerland, Brooks, OR
March 19 11:30 AM	<b>Ride to Lunch at Markum Inn,</b> Mt Angel, OR Ride will be weather dependent.
April 3 Time TBA	<b>Portland Swap Meet, PIR</b> Portland International Raceway
Apr 30 Time TBA	<b>The One Moto Show</b> Zidell Shipyard at S Waterfront, Portland OR

### **Celebrities on Motorcycles**

From page 7

Upper Right: Brad Pitt

Center Left: Dennis Hopper

Lower Right: Tina Turner

### **DISCOUNTS FOR AMCA & OTC**

**Lowbrow Customs** gives a **10% discount** to all AMCA members. When ordering online, enter the code MWR4U2 in the top right corner of page when checking out where it says gift card or coupon code.

**SEE SEE COFFEE** gives **10% off** to all OTC/AMCA members. Just show your AMCA member card. Good for beverages and food.

### **Oregon Vintage Motorcyclists**

OVM monthly meetings at noon on second Saturday of month at Horse Brass Pub in Portland.  
<http://www.oregonvintage.org>

### **Vintage Motorcycle Enthusiast**

Portland Chapter on the third Saturday of Every Month at noon at See See Coffee at 1642 Sandy Blvd., Portland, OR  
<http://www.vmemc.org>

### **SUBMISSIONS TO NEWSLETTER:**

Please submit article contributions, classified advertisements, photos, trip reports, and suggestions by the second Thursday of each month. Prefer Word or Adobe PDF for text and .jpg or PDF for graphics to  
[tomandjen@shadyapple.com](mailto:tomandjen@shadyapple.com)

*Thanks, Tom*



Royal Enfield RE/WD Flying Flea 125 Parachute Motorcycle. It was manufactured at Royal Enfield's underground facility in Westwood, UK, during World War II.







## CLASSIFIEDS

### From Tim Burns:

Looking to buy any pre-1970 Oregon or California motorcycle license plates.

Looking to buy any pre-1985 Harley motorcycles, basket cases, or parts piles.

Tim in Cottage Grove (408) 687-0635

### Classifieds

OTC members get one, half-page ad with a photo for motorcycle related items each newsletter issue. Additional half-page ads and non-OTC members are \$10 each. Ads run for two issues.

## Minutes of the Oregon Trail Chapter of the Antique Motorcycle Club of America December 14, 2021

President Jen Nielsen called the meeting to order at 7:04 PM by conference call.

**Officers in Attendance:** Jen Nielsen Pres., Martin Doerfler VP, Tom Nielsen Secretary, John Davey Treasurer, Bill Quaccia Activities Coordinator.

**Other Attendees:** Tom Ruttan, Bruce Reichelt.

**Treasurer's Report:** Club remains in the black. Received several dues renewals from members.

**Minutes:** Reading of minutes were waived. See newsletter.

### Correspondence:

- ✓ Jen received emails from Keith Keizer and Ross Metcalf. They will be attending the Evergreen National Road Run.
- ✓ Tom R reported that Keith Keizer regarding his article on the Moto GP in Texas.

### Old Business:

- ✓ Was a good day for clean up at NWVCM.
- ✓ Holiday party had pizza and good attendance.
- ✓ Reviewed upcoming events:
  - Plan on a movie for January: *Then Came Bronson*.

- ✓ Need rally committee members and a committee chair for the 2022 rally. Jen reminded this will be her last year as an officer. She is willing to maintain website if no one else interested. Tom N announced this will be last year as officer. We can assist with rally flyer and advertisement. We will be involved with club but not in a leadership capacity.

### New Business:

- ✓ Need ideas for events in 2022.
- ✓ Doug Nelson of NWVCM is recruiting for folks to go to a private muscle car museum on January 23. Also have motorcycles including Triumphs, Vincents, Brough, Superior, Indian. We decided to make this our January event and move movie night to February.
- ✓ Movie night will be February 19<sup>th</sup> at noon. Tom and Jen will arrange pizza, popcorn, soft drinks.
- ✓ Brainstormed other events:
  - Shop tour at Vahan's. Tom R will call him.
  - Bruce suggested ride around Hagg Lake.
  - Cars and Coffee – OVM goes regularly in Sherwood.
  - Per Bill, AHRMA has old race bikes. Their 2022 schedule is not out yet. Held in Raymond, WA – can go up and camp.
  - OMHRA has motorcycle races on April 24 at PIR, but no vintage bikes.
  - Portland Swap meet. We should have a presence. It is mid to late April.
  - There is a high desert swap meet in September.
  - Consider garage crawl at Bills in Ashland.
  - Castle Rock has a national motorcycle race.
  - We could have an OTC booth at Steam Up.
  - Attend/have an OTC booth at OVM event in Corvallis in May.
  - The One Moto Show is April 29 to May 1 at Zydells.
  - Lunch at Kelly's Olympian in Portland.
  - Museum help day in November.
  - Ride in Bend area.
  - Joey Lancaster has riding trails. At Jim's memorial, Joey suggested we have bring a young person event.
  - Evergreen is holding a National this year in September in Republic, WA.
- ✓ John said that he heard comment that having our rally in September conflicts with lots of other events. Should consider moving it.
- ✓ Requested newsletter contributions.



Next business meeting/conference call – January 11<sup>th</sup> at 7 PM. Meeting adjourned at 7:57 PM.

Minutes by Tom Nielsen.

### Minutes of the Oregon Trail Chapter of the Antique Motorcycle Club of America January 11, 2022

President Jen Nielsen called the meeting to order at 7:00 PM by conference call.

**Officers in Attendance:** Jen Nielsen Pres., Tom Nielsen Secretary, John Davey Treasurer, Bill Quaccia Activities Coordinator.

**Other Attendees:** Tom Ruttan and Bruce Reichelt.

**Treasurer's Report:** Club remains in the black. Received several dues renewals from members. We agreed that members need to renew dues to continue getting newsletter. We need to get a current club roster to National. Jen wants officers to contact members – we'll divide up and check level of interest.

**Minutes:** Reading of minutes were waived. See newsletter.

#### Correspondence:

- ✓ John spoke to Ben Beberness. Ben said he can't ride anymore but willing to help some and wants to go to gatherings.

#### Old Business:

- ✓ Reviewed upcoming events:
  - January 23<sup>rd</sup> to do tour of private muscle car museum.
  - February 19<sup>th</sup> Movie night at Powerland: *Then Came Bronson*.
- ✓ Rally 2022. Have openings for committee and chair.

#### New Business:

- ✓ Discussed Tim Burn's conflicts with other events in August and September and request to move rally. If we use Powerland, most weekends are full in summer, but likely can do during the week. Decided on July 11-14, register on 11<sup>th</sup>, rides on 12-14<sup>th</sup> and banquet on 14<sup>th</sup>.
- ✓ Need to schedule events for April to October.
  - Tom R spoke to Vahan and will not have shop ready for a garage crawl this year.
  - Bruce said he cannot lead a ride at Hagg Lake – has not got a bike ready.

- For March, we can meet for lunch at Markum Inn in Mt Angel. Ride if weather is good. Go with 19<sup>th</sup>.
- April 1-3 have Portland Swap meet at PIR? Also there are OMRA events in April.
- May 22 we will meet at OVM Swap in Corvallis.
- June – Bill Q will call Tim for a ride and garage crawl in Cottage Grove.
- July is rally
- August have the Tenino Swap meet or could do a ride in Bend – coordinate with Garrett or James.
- September could do Hi Desert swap meet or Evergreen's Road Run on 19<sup>th</sup> – 21<sup>st</sup>.
- Bill Q can do garage crawl and lead a ride at his place. October is wide open.
- November is museum help day.
- December is holiday gathering.
- ✓ Jen will get a list of a few members to each officer. Officers to contact and check on members are doing, any event suggestions, and dues status.

- ✓ Requested newsletter contributions.

Next business meeting/conference call – February 8<sup>th</sup> at 7 PM. Meeting adjourned at 7:56 PM.

Minutes by Tom Nielsen.

### Minutes of the Oregon Trail Chapter of the Antique Motorcycle Club of America February 8, 2022

President Jen Nielsen called the meeting to order at 7:06 PM by conference call.

**Officers in Attendance:** Jen Nielsen Pres., Tom Nielsen Secretary, John Davey Treasurer, Bill Quaccia Activities Coordinator.

**Other Attendees:** Tom Ruttan and Bruce Reichelt.

**Treasurer's Report:** Club remains in the black. John will prepare a financial report summary for December and January.

**Minutes:** Reading of minutes were waived. See newsletter.

#### Correspondence:

- ✓ Updated club roster and sent to National.
- ✓ All members have either been personally called or sent a letter by mail. Tom N sent the letter to 25 members whom we were unable to contact by phone. In the letter, reviewed upcoming Feb 19



movie, requested suggestions for events, requested help for rally, asked for confirmation of contact info, and to send dues if they were unpaid.

- ✓ Bruce contacted or attempted to contact eight prior members. No real prospects found. Folks have either moved out of area or gotten too old to ride.
- ✓ Tom R talked to Michelle at Powerland and reserved campsites for July 11-14 at \$25 per night. We can also use the NWVCM meeting room for registration and the banquet. We can have access to the front "showroom" and rest rooms. We can also set up pop ups if we want. Cost will be \$300 to OTC.

#### **Old Business:**

- ✓ Need rally chair and helpers for rally to happen. We need to establish a "drop-dead" date if no one steps up, we cancel the rally.
- ✓ Bill said he has a conflict with on rally dates, can only be there Monday and Tuesday.
- ✓ Tom R suggested some rides out of Powerland: Silver Falls State Park and perhaps the coast.
- ✓ February 19<sup>th</sup> is movie "Then Came Bronson" John will bring movie. Tom R will check out equipment at NWVCM to ensure everything works. Jen will send a reminder and request RSVP by 17<sup>th</sup>. Tom and Jen will get pizza and soft drinks.
- ✓ John went to the private muscle car museum on January 23. Several OTC members attended. Was very impressive.
- ✓ Reviewed upcoming events:
  - March 19<sup>th</sup>, 11:30 AM - lunch at Markum Inn in Mt Angel. If weather is favorable, can have a ride.
  - April - Portland Swap meet Sat April 2 or Sun April 3 (?) - lead?
  - May 22 OVM Show and Swap meet - lead?
  - June - garage crawl at Tim Burns and ride in Cottage Grove - Bill Q said Tim is open, so set date as 25<sup>th</sup>. Will confirm with Tim.
  - Elections - hold in June at Tim's or at rally?
  - July 11-14 - rally at Powerland. Tom N suggested we call some of older members who can't ride anymore and invite them to come out to visit, or perhaps just for banquet.
  - August 14<sup>th</sup>, Sunday. Ride and lunch to Michael Tilson's in Clatskanie from Hillsboro. Matt Presley to lead.
  - September - High Desert Swap meet, or Evergreen Road Run, or ride in Bend? - lead?

- October - garage crawl and ride in Ashland. Bill Q to pick a date.
- November - museum help day at NWVCM Powerland. - Tom & Jen to lead
- December - holiday party. Need location-lead?

#### **New Business:**

- ✓ John listed members added since last roster update.
- ✓ Folks who are not up to date with dues will not receive newsletter. Tom N said if they pay late, he can send once again.
- ✓ Requested newsletter contributions.

Next business meeting/conference call – March 8<sup>th</sup> at 7 PM. Meeting adjourned at 7:43 PM.

Minutes by Tom Nielsen.

