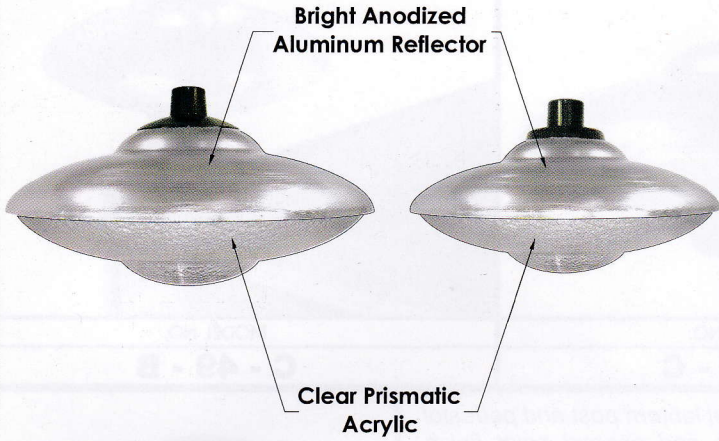
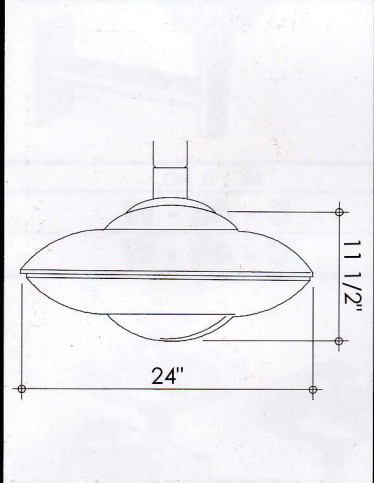


# AMCO SAUCER AMCRYLIC LAMP

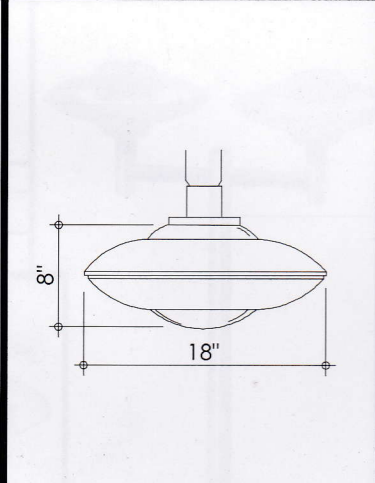


MODEL NO.  
**C - 49 - D**

MODEL NO.  
**C - 48 - D**



Max. 250W



Max. 160W

## DIMENSIONS



MODEL NO.  
**C - 48 - P1 - TP10 - D**

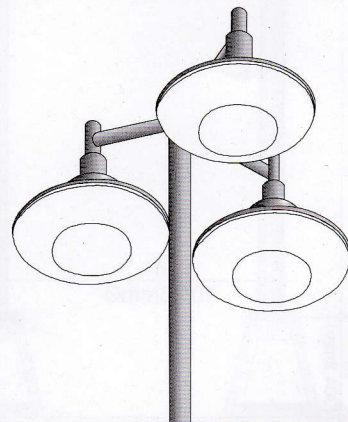
MODEL NO.  
**C - 48 - P2 - TP10 - D**

**C - 49 - P1 - TP10 - D**

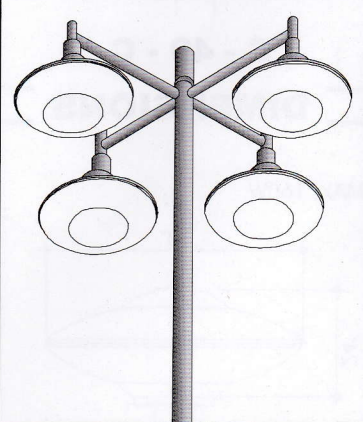
**C - 49 - P2 - TP10 - D**



MODEL NO.  
**C - 48 - W - D**  
**C - 49 - W - D**



MODEL NO.  
**C - 48 - P3 - TP10**  
**C - 49 - P3 - TP10**



MODEL NO.  
**C - 48 - P4 - TP10**  
**C - 49 - P4 - TP10**