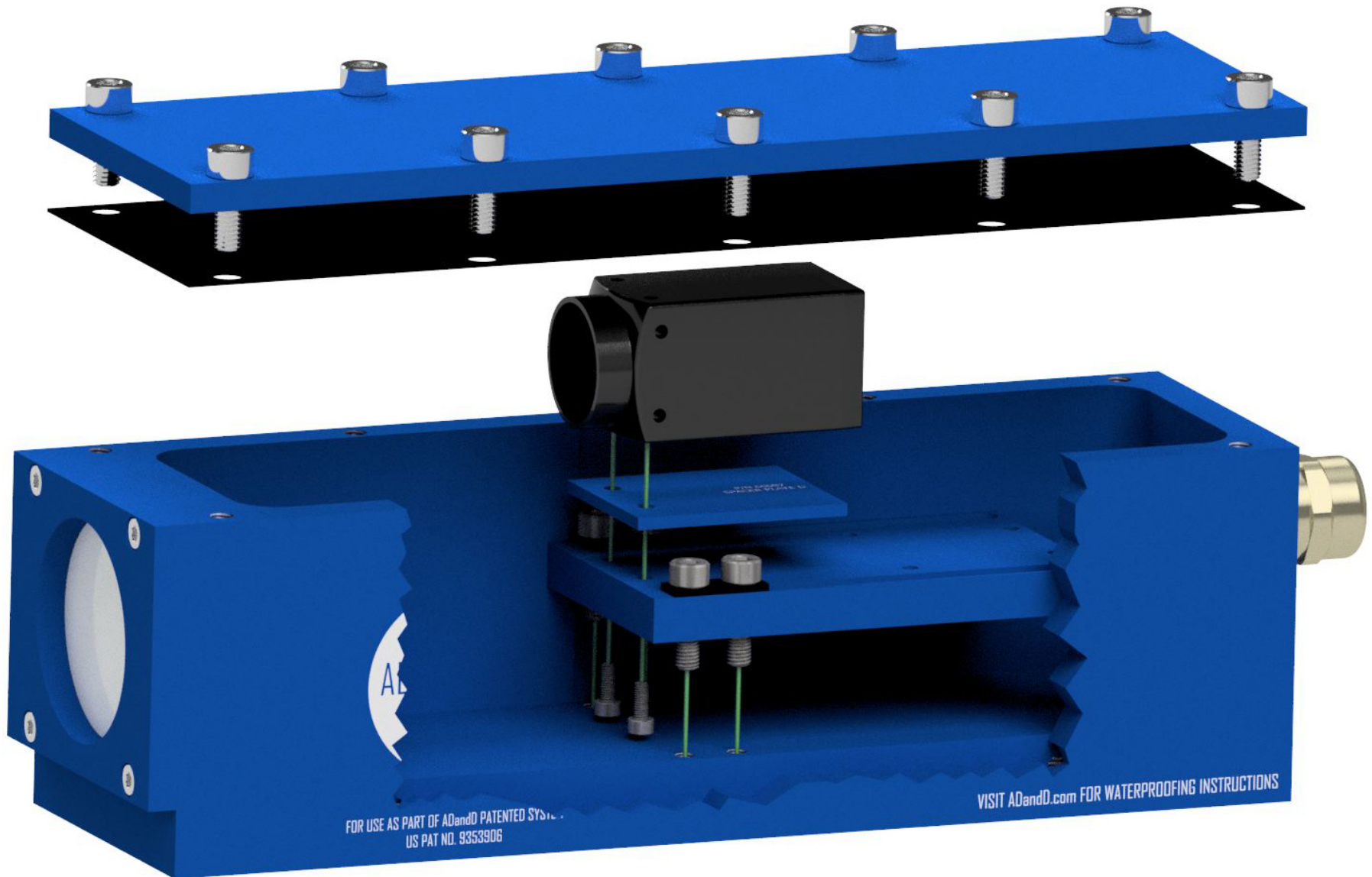


ADandD P/N CEPL-1

Mounting for Keyence CV-H035 C/M Camera

Mounts with included hardware: Slide Plate B, Spacer Plate D and (2) S.H.C.S. - M3-0.5mm X 8mm 18-8SS

Maximum Lens Size: 2.00" Dia X 3.125"



Sample Setup Application

